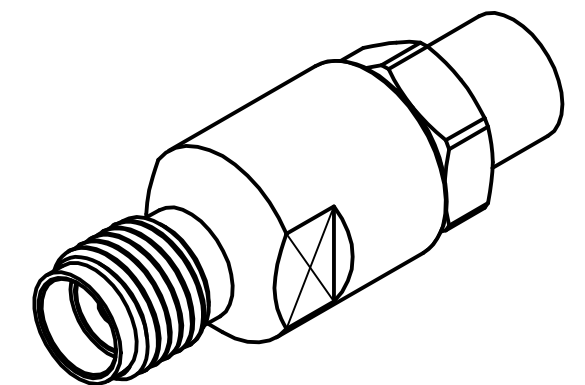
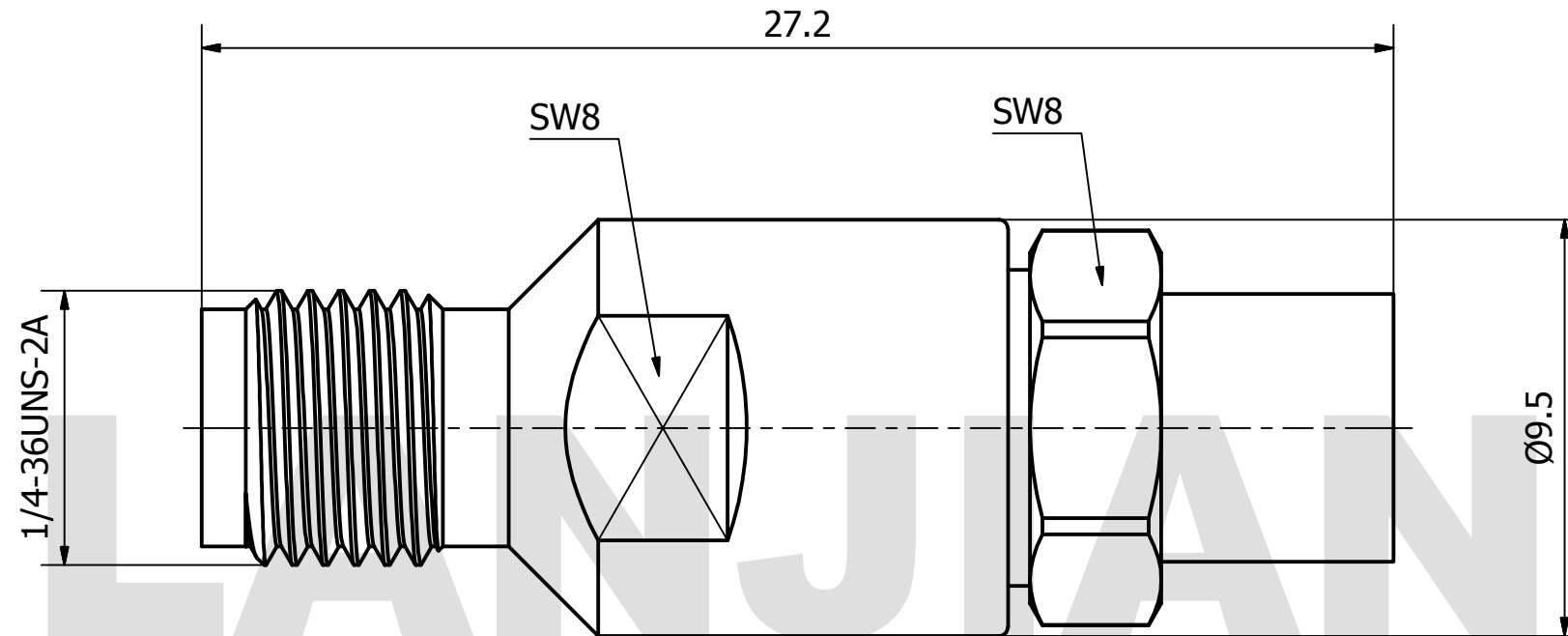


PRODUCT DATA SHEET



MATERIAL:
BODY: STAINLESS STEEL PER AMS-5640,
 ALLOY UNS S30300
CONTACT: BERYLLIUM COPPER PER ASTM B196.
 ALLOY NO. UNS C17300
INSULATOR: PTFE PER ASTM D1710

PERFORMANCE:
IMPEDANCE: 50 OHMS
FREQUENCY: DC TO 26.5 GHz
VSWR: ≤ 1.35

THIS DOCUMENT CONTAINS CONFIDENTIAL AND PROPRIETARY INFORMATION THAT CANNOT BE REPRODUCED OR DIVULGED, IN WHOLE OR IN PART, WITHOUT WRITTEN AUTHORIZATION FROM "LANJIAN ELECTRONICS"	MATERIAL :			 38 Hengtong Road, Xinqu Dingmao Zhenjiang, 212009, Jiangsu, P. R. China	
	UNLESS OTHERWISE SPECIFIED: DIMENSIONS IN MM				
	TOLERANCES :				
	X.X ± 0.20	ANGULAR : ± 1°	DEBURR AND		
	X.XX ± 0.10	FILLETS R/C : ± 0.10	BREAK SHARP		
	X.XXX ± 0.01	SURFACE FINISH : Ra 1.6	EDGES		
DRAWN	NAME	DATE	SIGNATURE	TITLE <h2 style="margin: 0;">SMA-K3449</h2> <h3 style="margin: 0;">straight jack cable connector</h3>	
CHK'D					
APPV'D					
MFG					
PROJECTION	SIZE	SCALE		DWG No.	REV.
	A3	6: 1		GCPZ3.660.A.012	
DO NOT SCALE THE DRAWING				PAGE	1 / 1