

COLBY COLLEGE - COTTER UNION EXPANSION

WATERVILLE, MAINE

ARCHITECT: BOHLIN CYWINSKI JACKSON
GLAZING CONTRACTOR:

SHOP DRAWING APPROVAL	
BY:	
DATE:	
<input type="checkbox"/> - APPROVED	
<input type="checkbox"/> - APPROVED AS NOTED	
<input type="checkbox"/> - REVISE AND RESUBMIT	

PRODUCT SCHEDULE
WINDOWS
N/A
STOREFRONT
KAWNEER 451T (2"x4 1/2")
CURTAIN WALL
KAWNEER SYSTEM1 (2 1/2"x7 1/2")
KAWNEER SYSTEM1 (2 1/2"x10 1/2")
KAWNEER SLOPE GLAZING
ENTRANCE
KAWNEER 190 NARROW STILE DOORS
KAWNEER 500 WIDE STILE DOORS
KAWNEER 1010 SLIDING MALL FRONT
PANELS
N/A
OTHER PRODUCTS
N/A
FINISH
BONE WHITE
SEALANT
SPECTRUM 3

DOOR HARDWARE SCHEDULE
HARDWARE SET #1
BY OTHERS
HARDWARE SET #2
HARDWARE SET #3
HARDWARE SET #4

GLAZING SCHEDULE
GLAZING TYPE 1
1" CLEAR HEAT STRENGTHENED INSULATED GLASS w/LOW E (1/4" CLEAR H.S. x 1/2" AIR SPACE x 1/4" CLEAR H.S. - LOW E ON #3 SURFACE)
GLAZING TYPE 2
1" CLEAR TEMPERED INSULATED GLASS w/LOW E (1/4" CLEAR TEMP. x 1/2" AIR SPACE x 1/4" CLEAR TEMP. - LOW E ON #3 SURFACE)
GLAZING TYPE 3
1/4" CLEAR TEMPERED GLASS
GLAZING TYPE 4
1/4" OPAQUE TEMPERED GLASS
GLAZING TYPE 5
9/16" HEAT STRENGTHENED LAMINATED GLASS
GLAZING TYPE 6
1 5/16" CLEAR LAMINATED TEMPERED INSULATED GLASS w/LOW E (1/4" CLR. TEMP. x 1/2" AIR SPACE x 1/4" CLR. H.S.x.060" INTERLAYERx1/4" CLR. H.S. - LOW E ON #2 SURFACE)
GLAZING TYPE 7
GLAZING TYPE 8

GENERAL NOTES
1. ALL DIMENSIONS AND CONDITIONS TO BE FIELD VERIFIED PRIOR TO FABRICATION.
1. SEE ENGINEERING CALCULATIONS FOR FINAL FASTENING REQUIREMENTS.

DRAWING INDEX	
SHEET NO.	DESCRIPTION
C1	COVER SHEET
FP1-FP2	FLOOR PLANS
SE1-SE3	STOREFRONT ELEVATIONS
CE1-CE7	CURTAIN WALL ELEVATIONS
SD1-SD5	STOREFRONT DETAILS
CD2-CD8	CURTAIN WALL DETAILS

WINDOW HARDWARE SCHEDULE
OPERATING
LOCKING
SCREENS
MISCELLANEOUS

REMOVED PER ARCHITECT'S COMMENTS	DATE	GRI
REMOVED CD1, ADDED SE3 & SD4-SD5	1/4/07	
REMOVED SHEETS: SE3, CE7, CD7, CD8	1/30/07	

GLAZING CONTRACTOR:

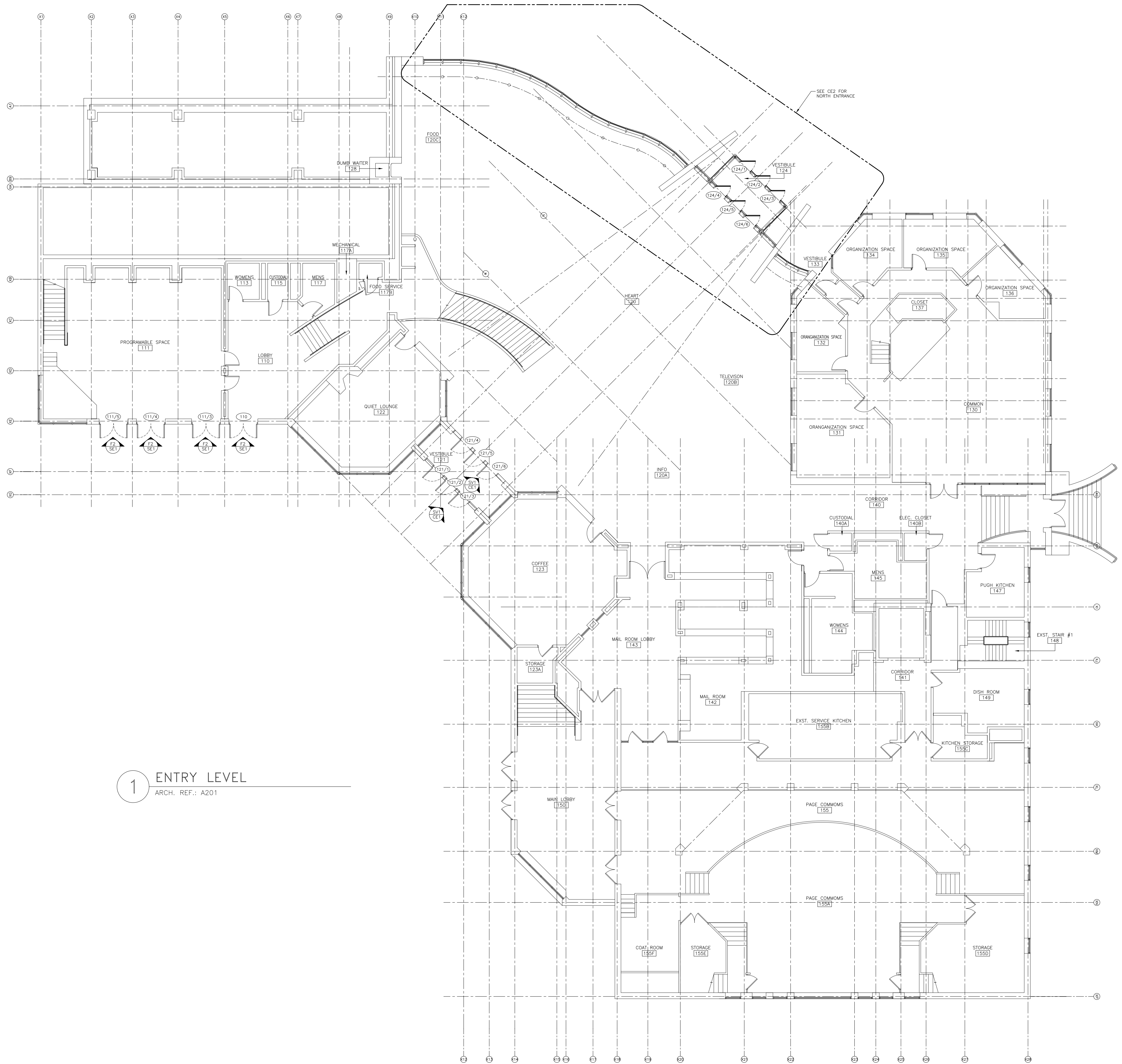
ARCHITECT:
Bohlin Cywinski Jackson
Architecture Planning Interior Design
1000 Locust Street, Suite 1100
Philadelphia, PA 19105
215.750.5900

COVER
PROJECT: COLBY COLLEGE - COTTER UNION EXP.
LOCATION: WATERVILLE, MAINE

Glazier's Resource Inc.
"New & Smart In Glass Design and Drapery"
218 NORTH STATE ST., SUITE 101
CONCORD, NH 03301-5322
PH: 603.860.0186
www.glaziersresource.com

SCALE:
NONE
DATE:
11/1/06
PROJECT:
GR06-0144
SHEET:

C1



1 ENTRY LEVEL
 ARCH. REF.: A201

GLAZING CONTRACTOR:

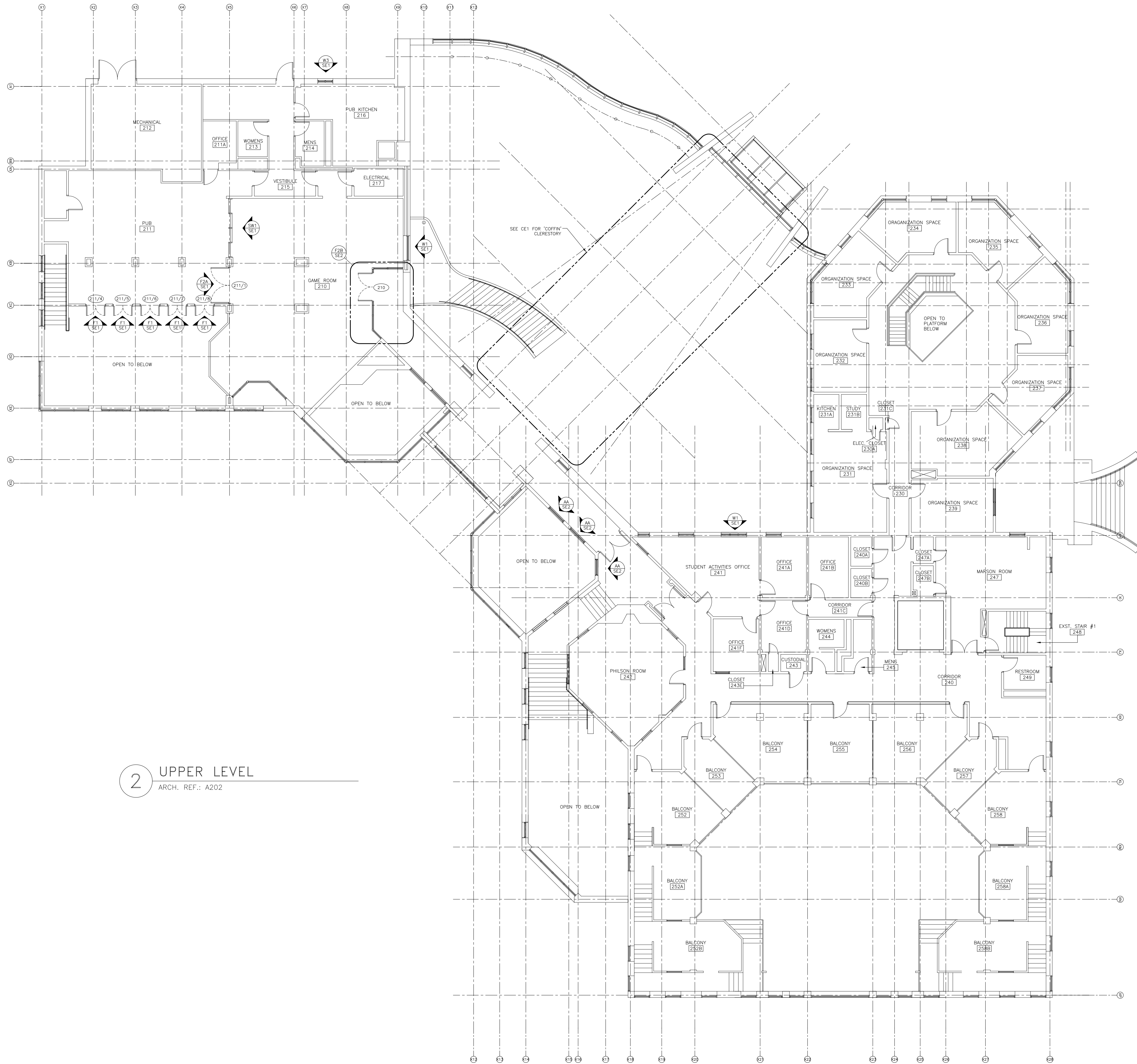
ARCHITECT:
Bohlin Cywinski Jackson
 Architecture Planning Interior Design
 1000 Locust Street, Suite 1170
 Philadelphia, PA 19105
 215.750.5900

ENTRY LEVEL FLOOR PLAN
 PROJECT: COLBY COLLEGE - COTTER UNION EXP.
 LOCATION: WATERVERILLE, MAINE

Glazier's Resource Inc.
 "Your Source for Glazing Design and Drapery"
 218 NORTH STATE STREET, SUITE 10
 CONCORD, NH 03301-3322
 TEL: 603.860.0186
 WWW.GLAZIERSRESOURCE.COM

SCALE:
 3/32"=1'-0"
 DATE:
 11/1/06
 PROJECT:
 GR06-0144
 SHEET:

FP1



2 UPPER LEVEL
 ARCH. REF.: A202

GLAZING CONTRACTOR:

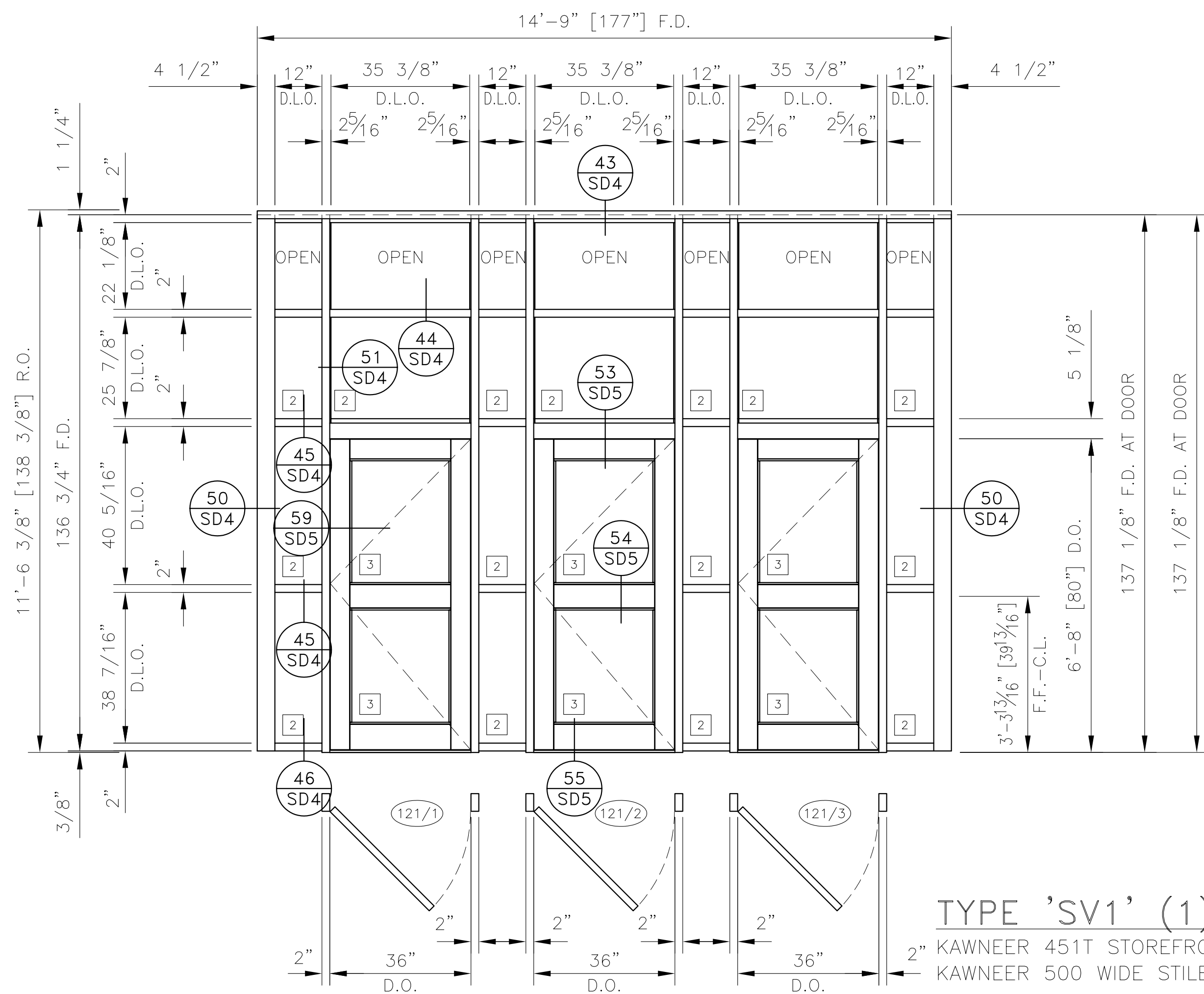
ARCHITECT:
Bohlin Cywinski Jackson
 Architecture Planning Interior Design
 1000 Locust Street, Suite 1170
 Philadelphia, PA 19105
 215.750.5900

UPPER LEVEL FLOOR PLAN
 PROJECT: COLBY COLLEGE - COTTER UNION EXP.
 LOCATION: WATERVILLE, MAINE

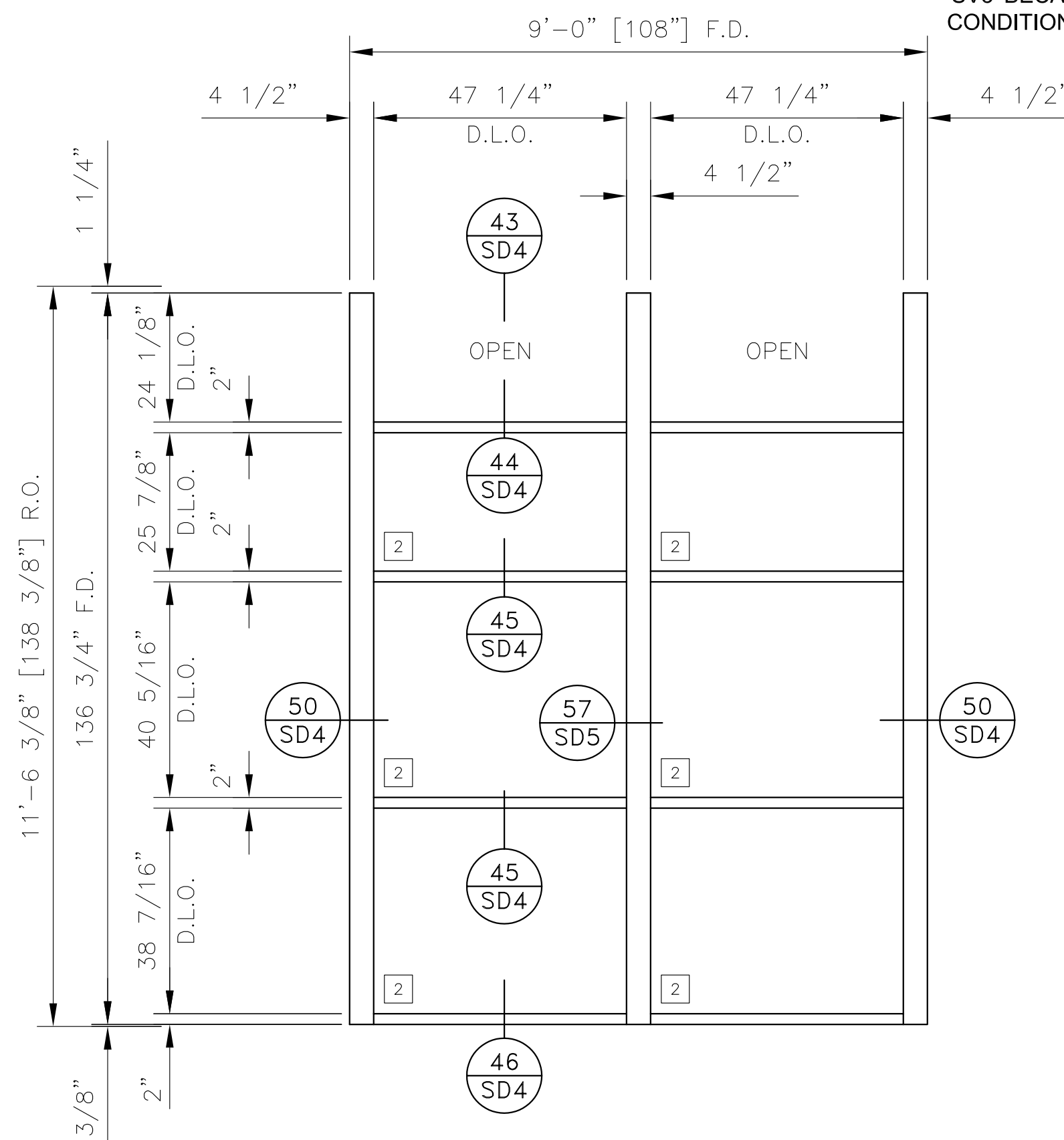
Glazier's Resource Inc.
 "Your Partner in Glazing Design and Drapery"
 218 NORTH STATE ST., SUITE 118
 CONCORD, NH 03301-3322
 TEL: 603.860.0186
 WWW.GLAZIERSRESOURCE.COM

SCALE:
 3/32" = 1'-0"
 DATE:
 11/1/06
 PROJECT:
 GR06-0144
 SHEET:

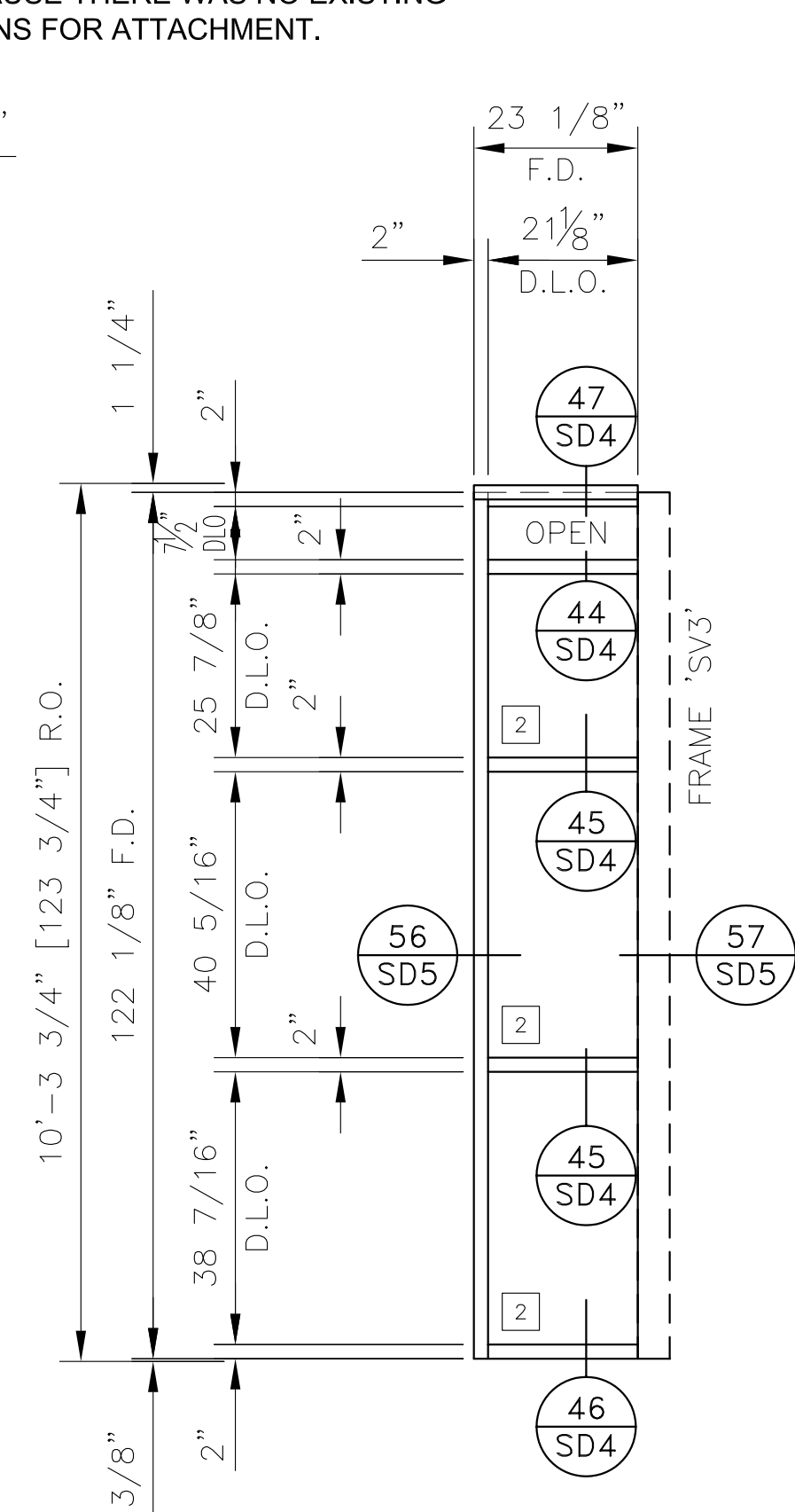
FP2



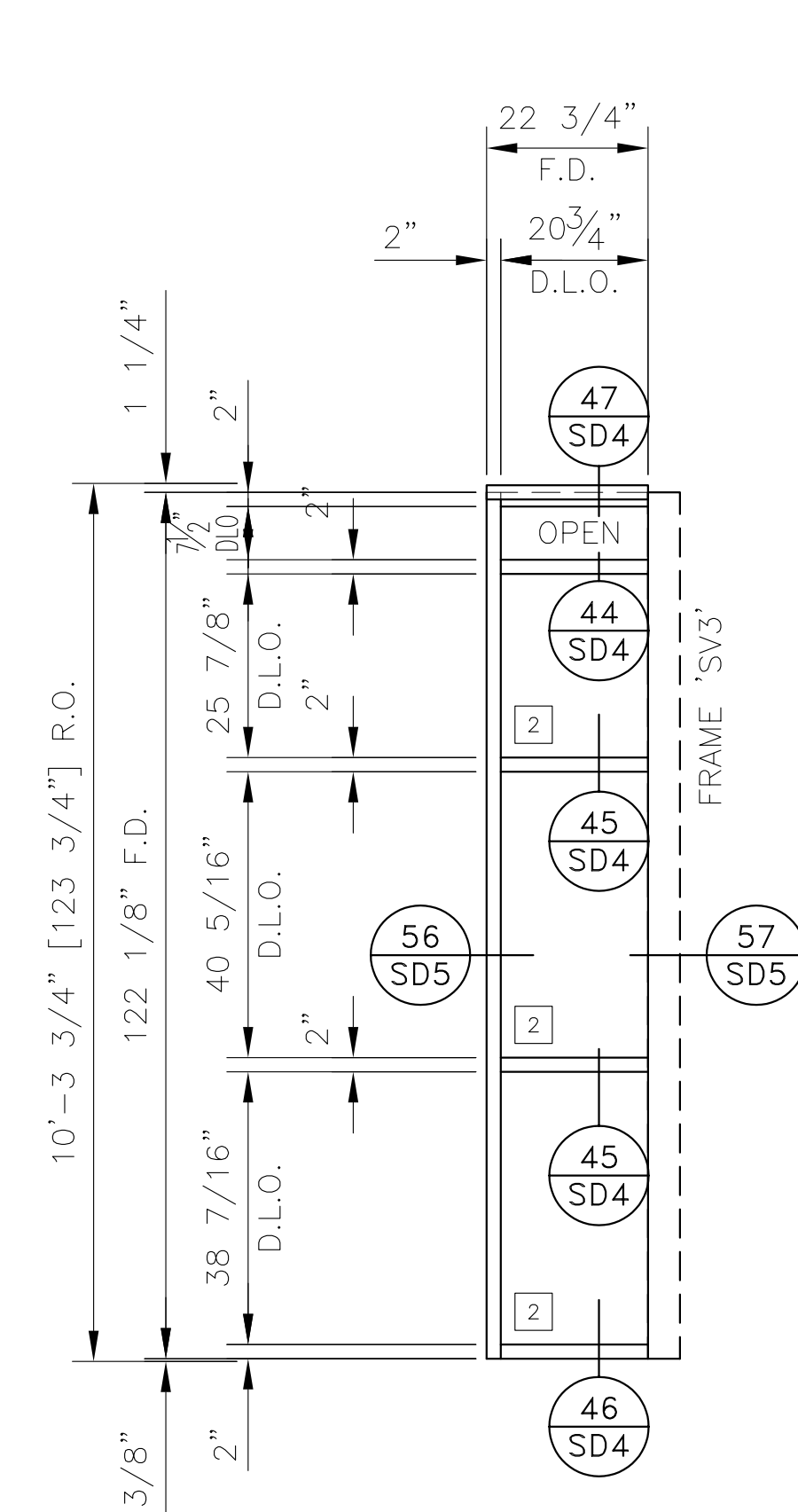
TYPE 'SV1' (1) REQ'D
 KAWNEER 451T STOREFRONT
 KAWNEER 500 WIDE STILE DOOR
 ARCHITECTURAL REF.: REVISED ARCHITECT'S SKETCH
 FRAME 2 ON ENGINEERING CALCULATIONS



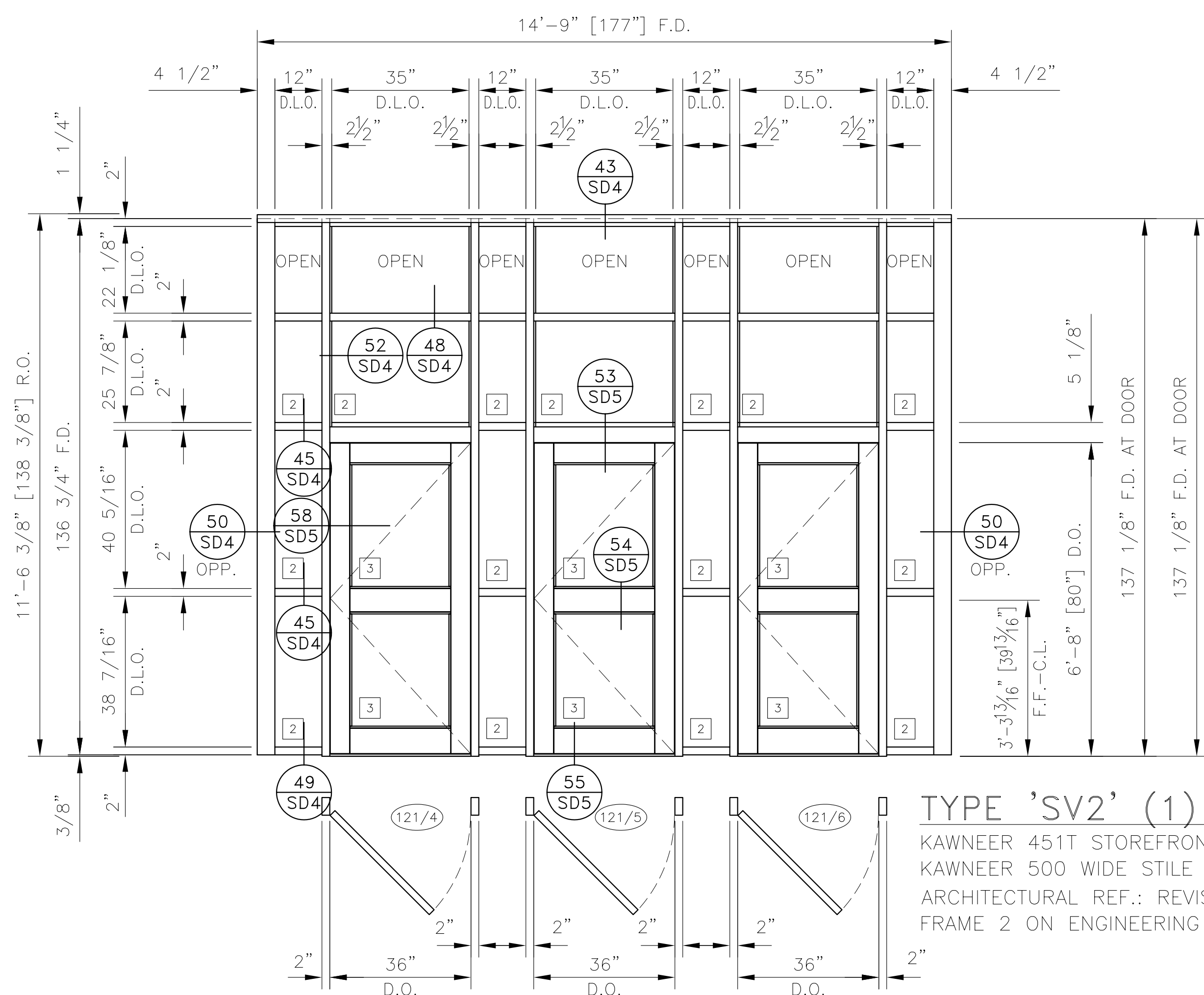
TYPE 'SV3' (2) REQ'D
 KAWNEER 451T STOREFRONT
 ARCHITECTURAL REF.: REVISED ARCHITECT'S SKETCH
 FRAME 3 ON ENGINEERING CALCULATIONS



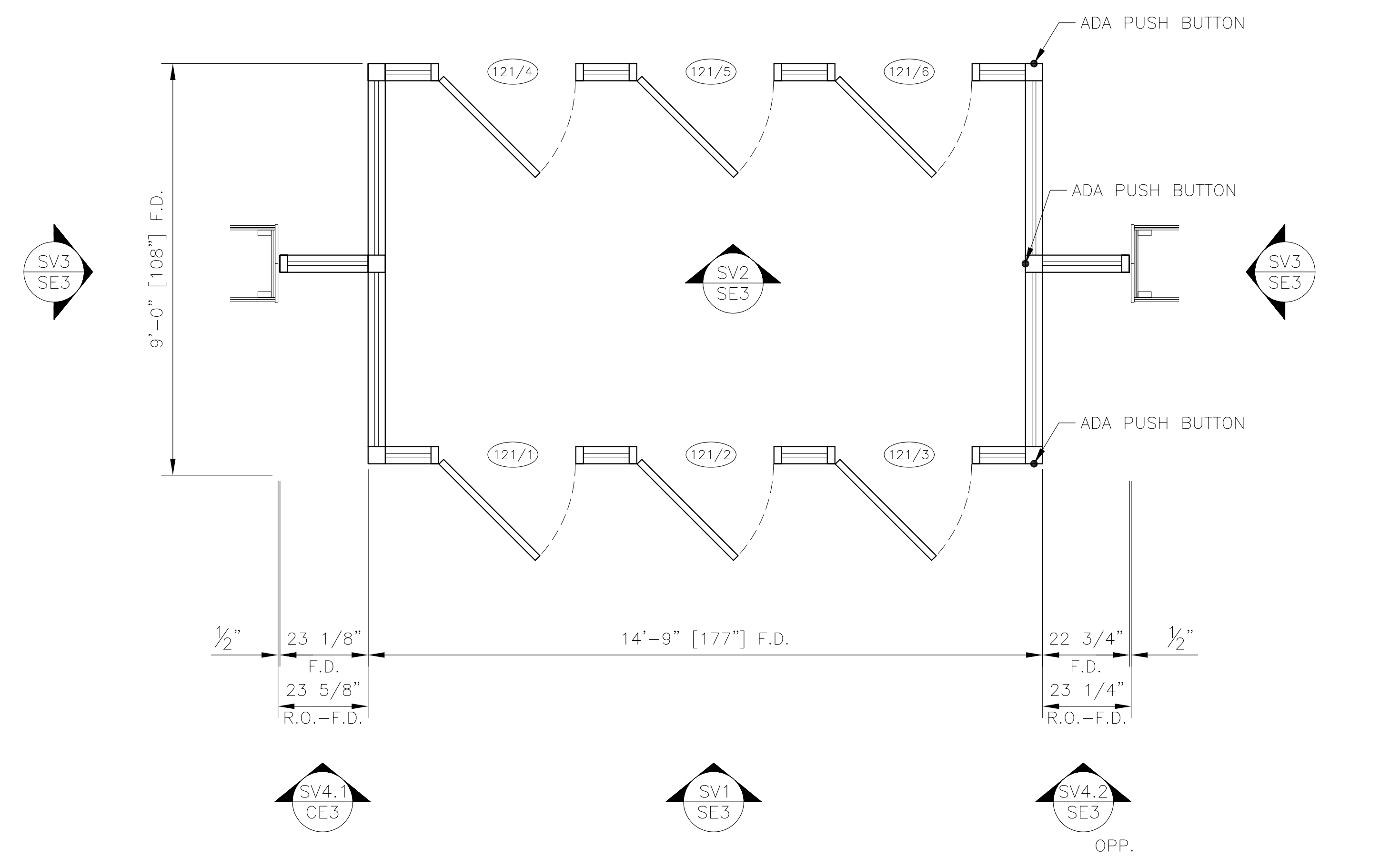
TYPE 'SV4.1' (1) REQ'D
 KAWNEER 451T STOREFRONT
 ARCHITECTURAL REF.: REVISED ARCHITECT'S SKETCH
 FRAME 4 ON ENGINEERING CALCULATIONS



TYPE 'SV4.2' (1) REQ'D
 KAWNEER 451T STOREFRONT
 ARCHITECTURAL REF.: REVISED ARCHITECT'S SKETCH
 FRAME 4 ON ENGINEERING CALCULATIONS



TYPE 'SV2' (1) REQ'D
 KAWNEER 451T STOREFRONT
 KAWNEER 500 WIDE STILE DOOR
 ARCHITECTURAL REF.: REVISED ARCHITECT'S SKETCH
 FRAME 2 ON ENGINEERING CALCULATIONS



2 VESTIBULE 121
 ARCH. REF.: REVISED - ARCHITECTS SKETCH

REVISION	DATE	BY
REVISED HORIZ. LOCATION - PER SK-134	1/30/07	GRI
REVISED FOR RECORD	6/18/07	GRI

GLAZING CONTRACTOR:

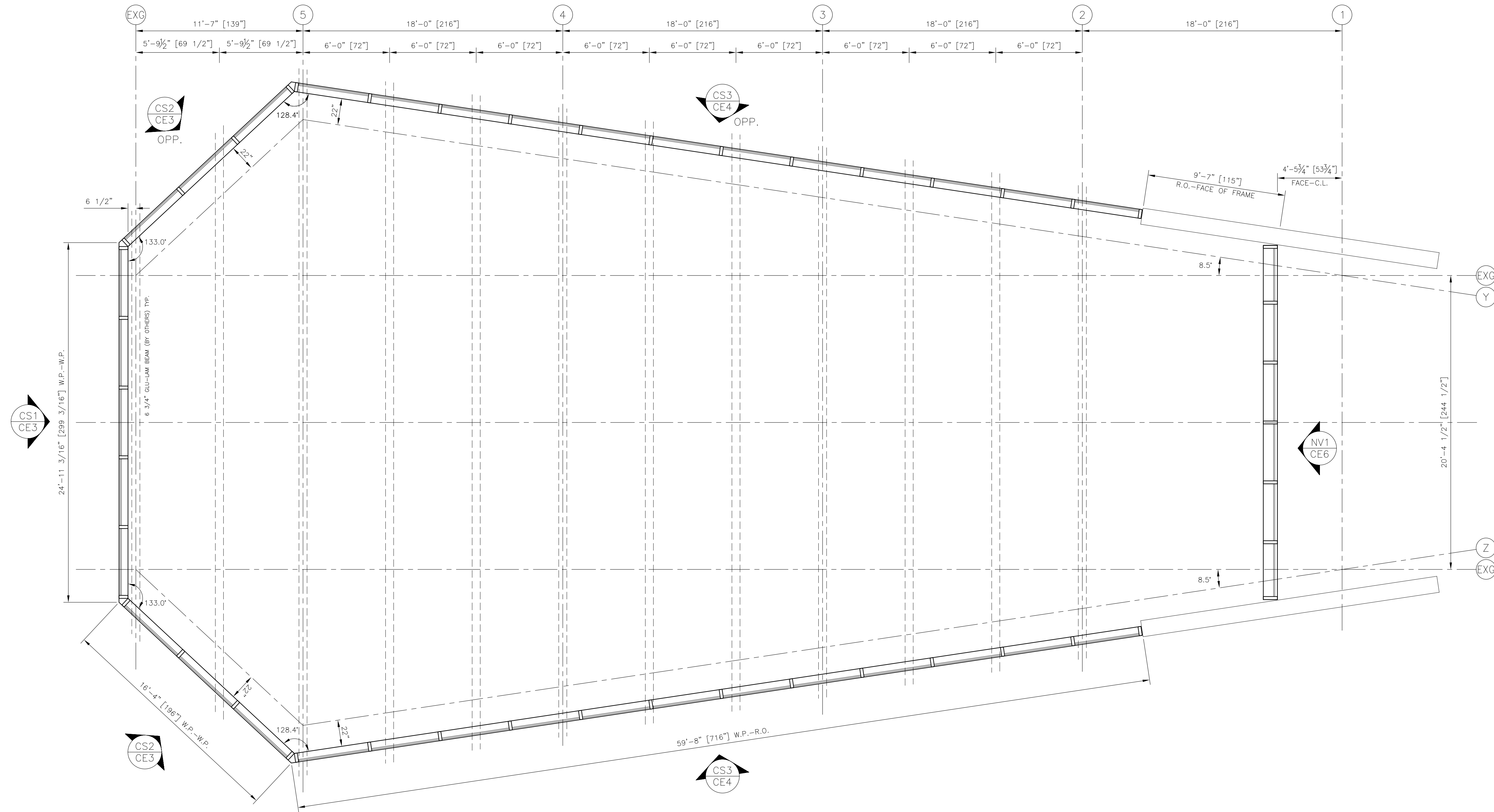
ARCHITECT:
Bohlin Cwyninski Jackson
 Architecture Planning Interior Design
 250 NORTH STATE ST., SUITE 110
 PHILADELPHIA, PA 19105
 215.750.5900

STOREFRONT ELEVATIONS
 PROJECT: COLBY COLLEGE - COTTER UNION EXP.
 LOCATION: WATERVILLE, MAINE

Glazier's Resource Inc.
 "New & Sharp Glazing Design and Drapery"
 250 NORTH STATE ST., SUITE 110
 CONCORD, NH 03301-3322
 PH. 603.860.0198
 WWW.GLAZIERSRESOURCE.COM

SCALE:
 1/2"=1'-0"
 DATE:
 1/4/07
 PROJECT:
 GR06-0144
 SHEET:
SE3

NOTE: ALL DIMENSIONS AND ANGLES TO BE FIELD VERIFIED.



1 CLERESTORY 'COFFIN' PLAN VIEW
 ARCH. REF.: A203

REVISION	PER ARCHITECT'S COMMENTS	DATE	BY
1		1/4/07	

GLAZING CONTRACTOR:

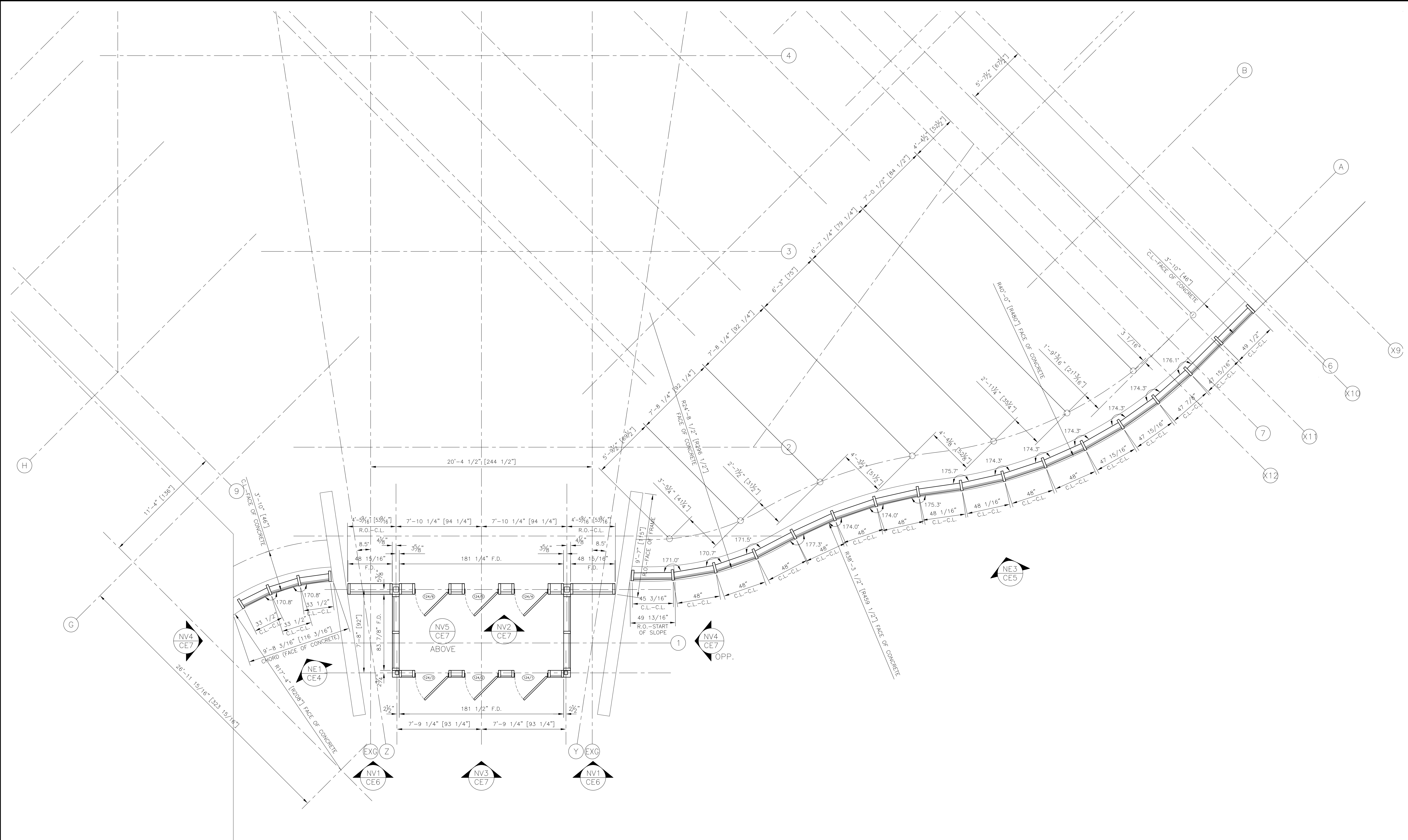
ARCHITECT:
Bohlin Cywinski Jackson
 Architecture Planning Interior Design
 Philadelphia, PA 19105
 215.750.5900

CLERESTORY 'COFFIN' PLAN
 PROJECT: COLBY COLLEGE - COTTER UNION EXP.
 LOCATION: WATERVILLE, MAINE

Glazier's Resource Inc.
 "Your Source for Glazing Design and Drafting"
 218 NORTH STATE ST., SUITE 10
 CONCORD, NH 03301-5322
 TEL: 603.860.0198
 WWW.GLAZIERSRESOURCE.COM

SCALE:
 1/4"=1'-0"
 DATE:
 11/1/06
 PROJECT:
 GR06-0144
 SHEET:

CE1



1 NORTH ENTRANCE PLAN VIEW
 ARCH. REF.: A110

NOTE: ALL DIMENSIONS AND ANGLES TO BE FIELD VERIFIED.

REVISION	PER ARCHITECT'S COMMENTS	DATE
1		1/4/07

GLAZING CONTRACTOR:

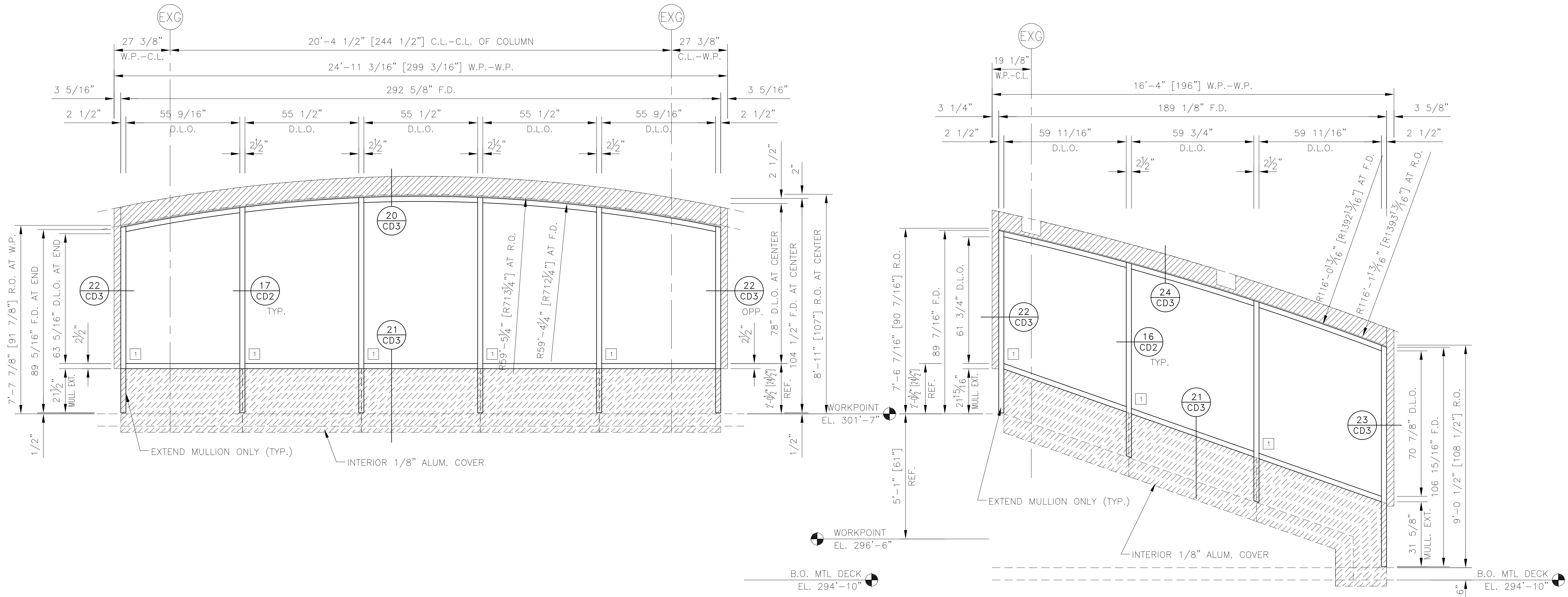
ARCHITECT:
Bohlin Cwynski Jackson
 Architecture Planning Interior Design
 1000 Locust Street, Suite 1100
 Philadelphia, PA 19105
 215.750.5900

NORTH ENTRANCE PLAN
 PROJECT: COLBY COLLEGE - COTTER UNION EXP.
 LOCATION: WATERVILLE, MAINE

Glazier's Resource Inc.
 "Your Source for Glazing Design and Drafting"
 218 NORTH STATE STREET, SUITE 105
 CONCORD, NH 03301-5322
 PH: 603.860.0198
 WWW.GLAZIERSRESOURCE.COM

SCALE:
 1/4"=1'-0"
 DATE:
 11/1/06
 PROJECT:
 GR06-0144
 SHEET:

CE2



TYPE 'CS1' (1) REQ'D
 KAWNEER 1600 SYSTEM 1 (2 1/2"x7 1/2")
 ARCHITECTURAL REF.: H1/A506
 FRAME 9 ON ENGINEERING CALCULATIONS

TYPE 'CS2' (2) REQ'D
 (1) REQ'D AS SHOWN
 (1) REQ'D OPP. HAND
 KAWNEER 1600 SYSTEM 1 (2 1/2"x7 1/2")
 ARCHITECTURAL REF.: H3/A506
 FRAME 8 ON ENGINEERING CALCULATIONS

NOTE: ALL DIMENSIONS AND ANGLES TO BE FIELD VERIFIED.

REVISION	DATE	BY	CHKD	APP'D
1	1/4/07			

GLAZING CONTRACTOR:

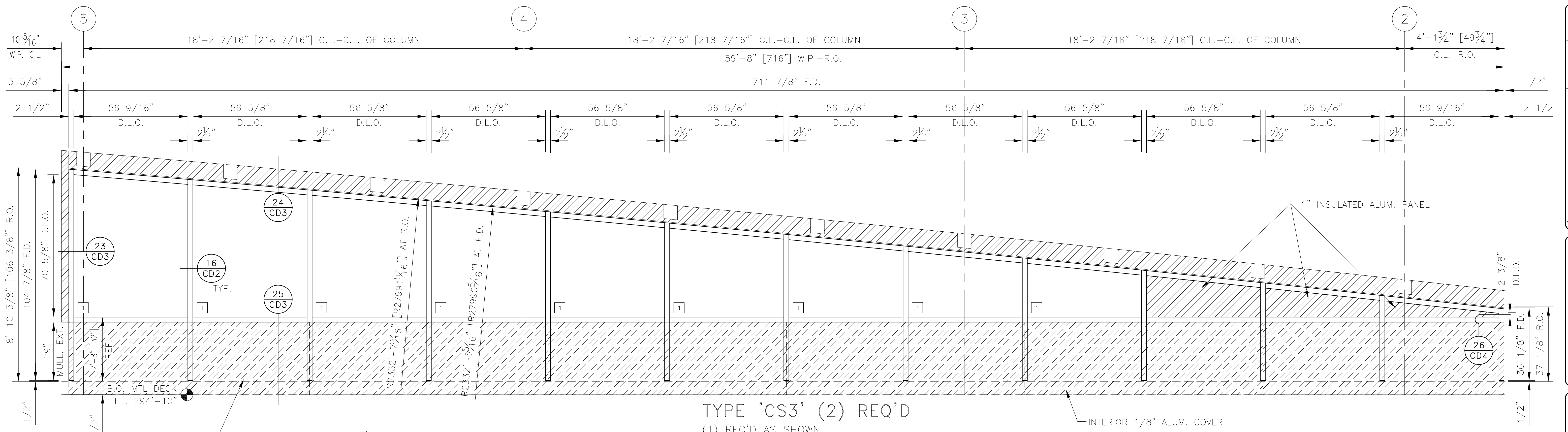
ARCHITECT:
Bohlin Cywinski Jackson
 Architecture Planning Interior Design
 215 NORTH STATE ST., SUITE 100
 PHILADELPHIA, PA 19105
 215.750.5900

CURTAIN WALL ELEVATIONS
 PROJECT: COLBY COLLEGE - COTTER UNION EXP.
 LOCATION: WATERVILLE, MAINE

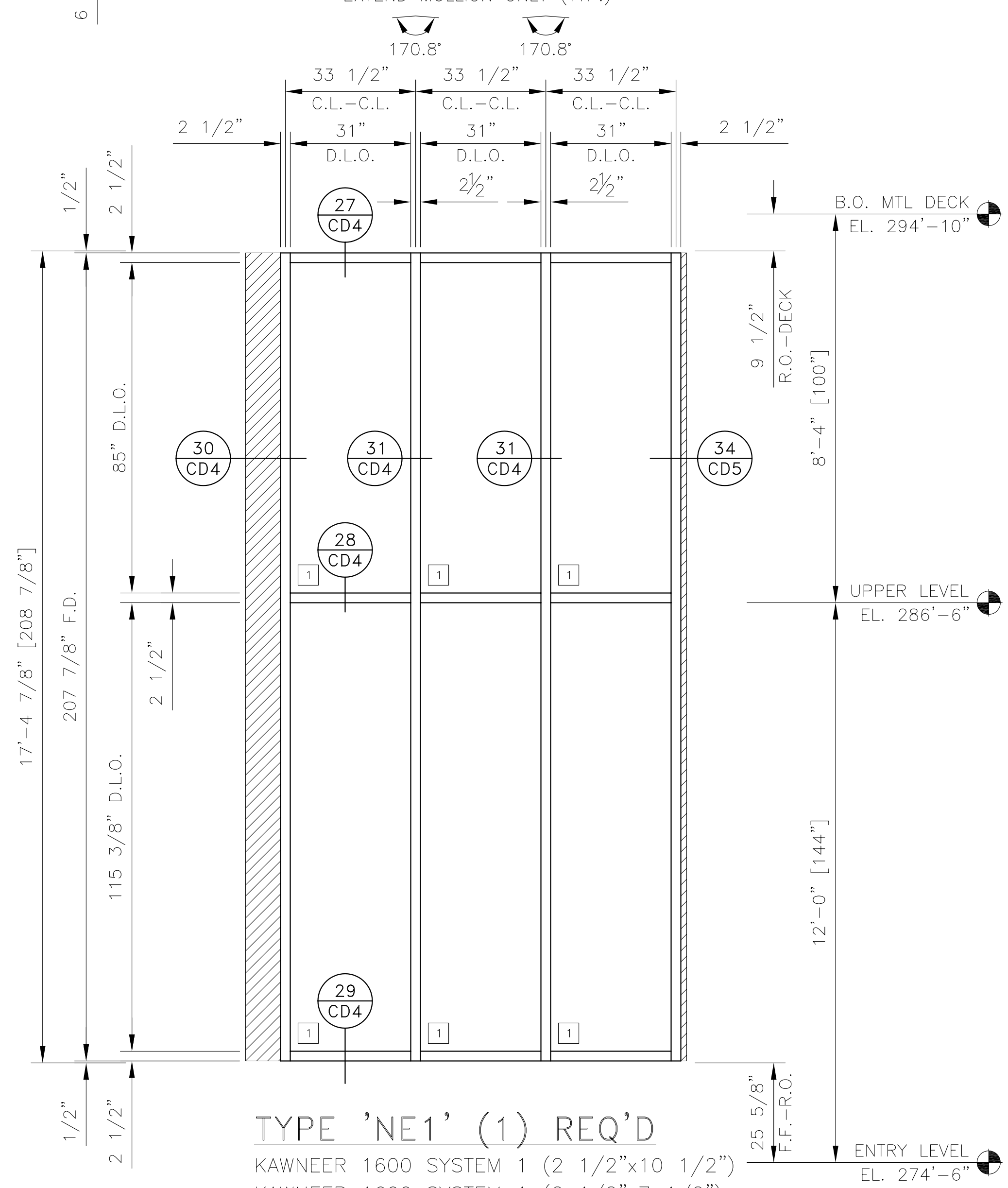
Glazier's Resource Inc.
 "Your Source For Glazing Design and Drafting"
 215 NORTH STATE ST., SUITE 100
 CONCORD, NH 03301-5322
 PH. 603.860.0198
 WWW.GLAZIERSRESOURCE.COM

SCALE:
 1/2"=1'-0"
 DATE:
 11/1/06
 PROJECT:
 GR06-0144
 SHEET:

CE3



TYPE 'CS3' (2) REQ'D
 (1) REQ'D AS SHOWN
 (1) REQ'D OPP. HAND
 KAWNEER 1600 SYSTEM 1 (2 1/2"x7 1/2")
 ARCHITECTURAL REF.: H5/A506
 FRAME 7 ON ENGINEERING CALCULATIONS



TYPE 'NE1' (1) REQ'D
 KAWNEER 1600 SYSTEM 1 (2 1/2"x10 1/2")
 KAWNEER 1600 SYSTEM 1 (2 1/2"x7 1/2")
 ARCHITECTURAL REF.: G3/A110, F4/A506
 FRAME 13 ON ENGINEERING CALCULATIONS

NOTE: ALL DIMENSIONS AND ANGLES TO BE FIELD VERIFIED.

REVISIONS	DATE	BY	APP'D

REVISER PER ARCHITECT'S COMMENTS: 1/4/07

GLAZING CONTRACTOR:

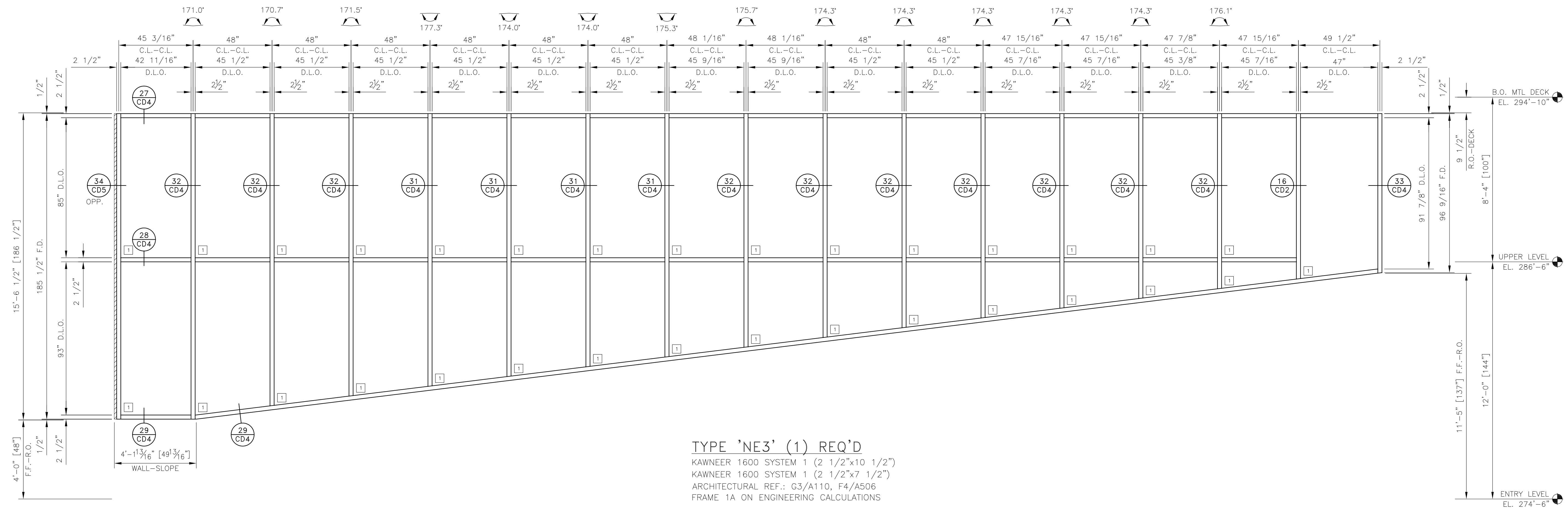
 ARCHITECT:
Bohlin Cywinski Jackson
 Architecture Planning Interior Design
 1000 Walnut Street, Suite 1000
 Philadelphia, PA 19106
 215.750.5900

CURTAIN WALL ELEVATIONS
 PROJECT: COLBY COLLEGE - COTTER UNION EXP.
 LOCATION: WATERVILLE, MAINE

Glazier's Resource Inc.
 "New & Smart Glazing Design and Drapery"
 218 NORTH STATE ST., SUITE 105
 CONCORD, NH 03301-5322
 PH: 603.860.0186
 WWW.GLAZIERSRESOURCE.COM

SCALE: 1/2"=1'-0"
 DATE: 11/1/06
 PROJECT: GR06-0144
 SHEET:

CE4



TYPE 'NE3' (1) REQ'D
 KAWNEER 1600 SYSTEM 1 (2 1/2"x10 1/2")
 KAWNEER 1600 SYSTEM 1 (2 1/2"x7 1/2")
 ARCHITECTURAL REF.: G3/A110, F4/A506
 FRAME 1A ON ENGINEERING CALCULATIONS

REVISION	PER ARCHITECT'S COMMENTS	DATE
1		1/4/07

GLAZING CONTRACTOR:

ARCHITECT:
Bohlin Cywinski Jackson
 Architecture Planning Interior Design
 1000 Walnut Street, Suite 1070
 Philadelphia, PA 19105
 215.750.5900

CURTAIN WALL ELEVATIONS
 PROJECT: COLBY COLLEGE - COTTER UNION EXP.
 LOCATION: WATERVILLE, MAINE

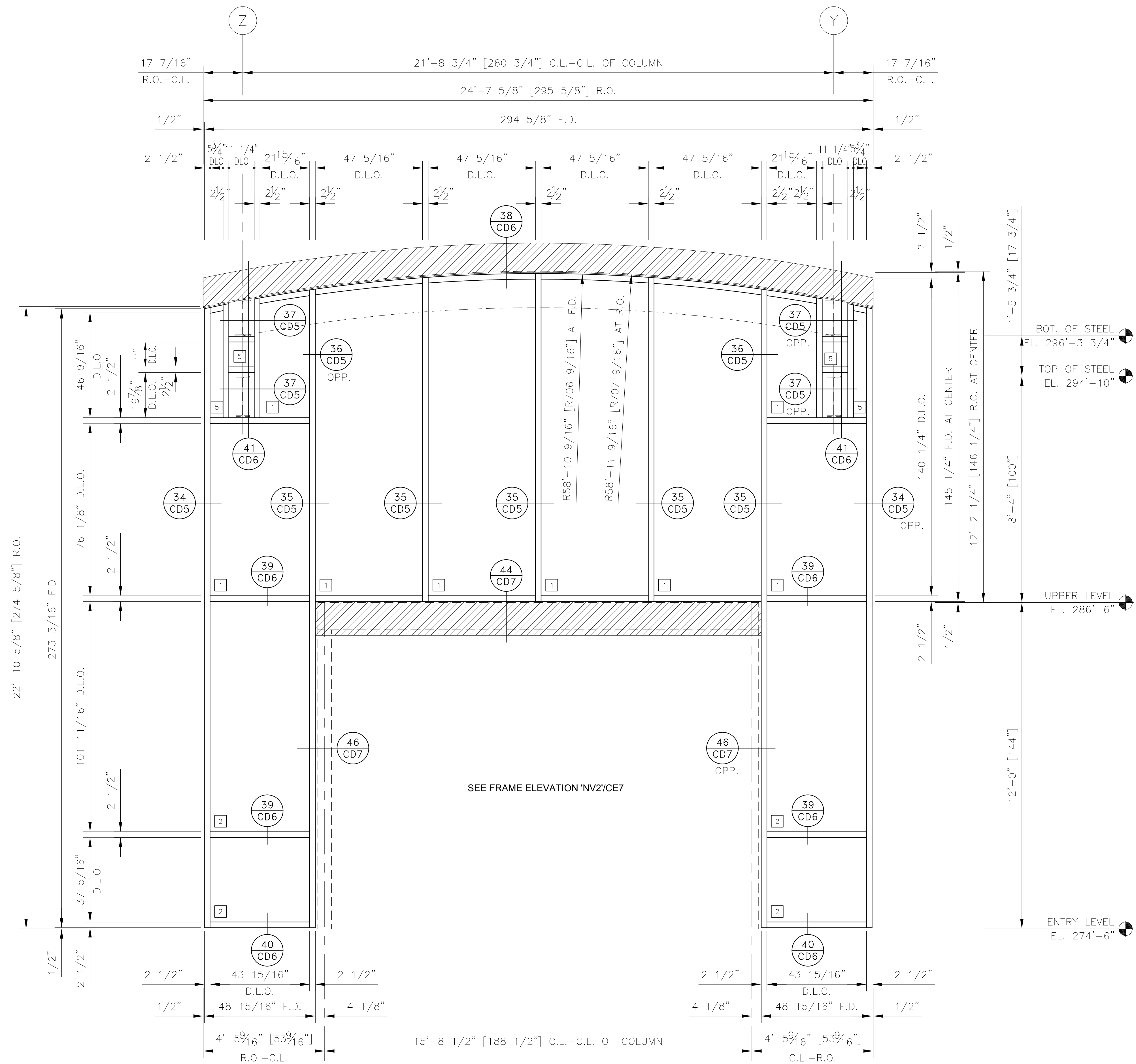
Glazier's Resource Inc.
 "New & Smart Glazing Design and Drapery"
 218 NORTH STATE ST., SUITE 105
 CONCORD, NH 03301-5322
 PH: 603.860.0186
 WWW.GLAZIERSRESOURCE.COM

SCALE:
 3/8" = 1'-0"
 DATE:
 11/1/06
 PROJECT:
 GR06-0144
 SHEET:

CE5

NOTE: ALL DIMENSIONS AND ANGLES TO BE FIELD VERIFIED.

NOTE: ALL DIMENSIONS AND ANGLES TO BE FIELD VERIFIED.



TYPE 'NV1' (1) REQ'D
 KAWNEER 1600 SYSTEM 1 (2 1/2"x10 1/2")
 ARCHITECTURAL REF.: F4/A506
 FRAME 12 ON ENGINEERING CALCULATIONS

REVISER PER ARCHITECT'S COMMENTS	1/4/07	GRI
REVISER PER ASI-57	1/30/07	GRI

GLAZING CONTRACTOR:

ARCHITECT:
Bohlin Cywinski Jackson
 Architecture Planning Interior Design
 1000 Locust Street, Suite 1170
 Philadelphia, PA 19105
 215.750.5900

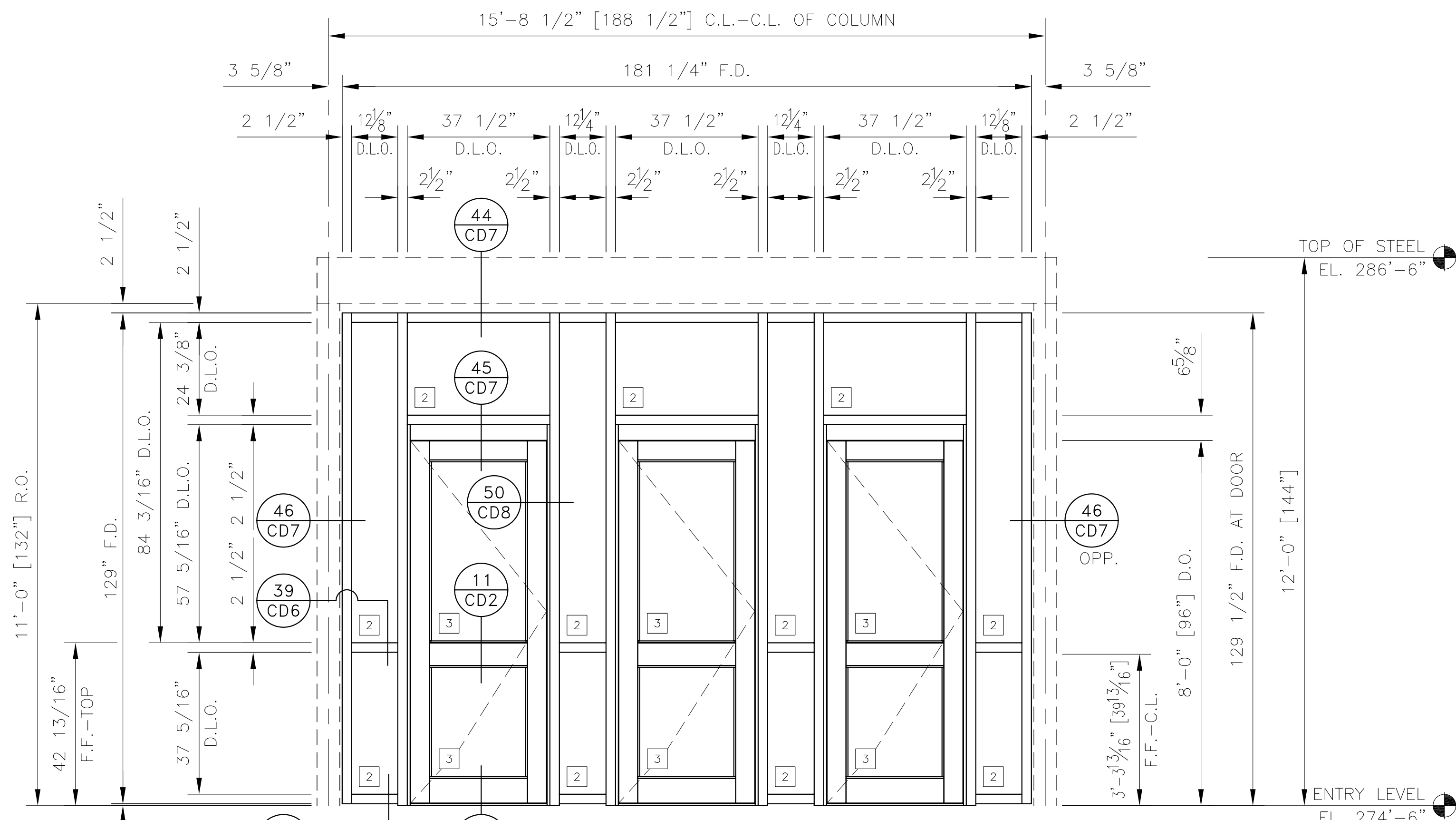
CURTAIN WALL ELEVATIONS
 PROJECT: COLBY COLLEGE - COTTER UNION EXP.
 LOCATION: WATERVILLE, MAINE

Glazier's Resource Inc.
 "Your Source For Glazing Design and Drafting"
 218 NORTH STATE ST., SUITE 105
 CONCORD, NH 03301-5322
 PH. 603.860.0198
 WWW.GLAZIERSRESOURCE.COM

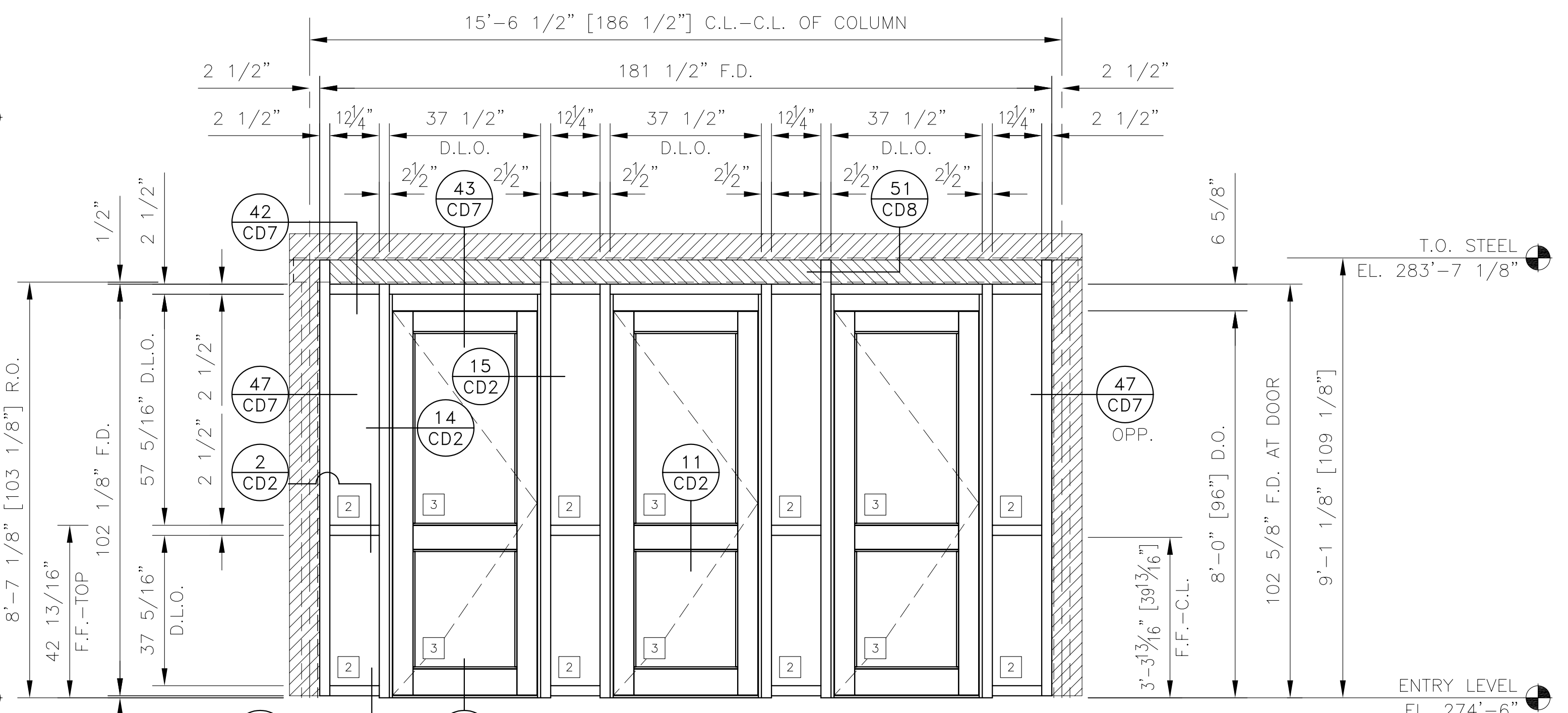
SCALE:
 1/2"=1'-0"
 DATE:
 11/1/06
 PROJECT:
 GR06-0144
 SHEET:

CE6

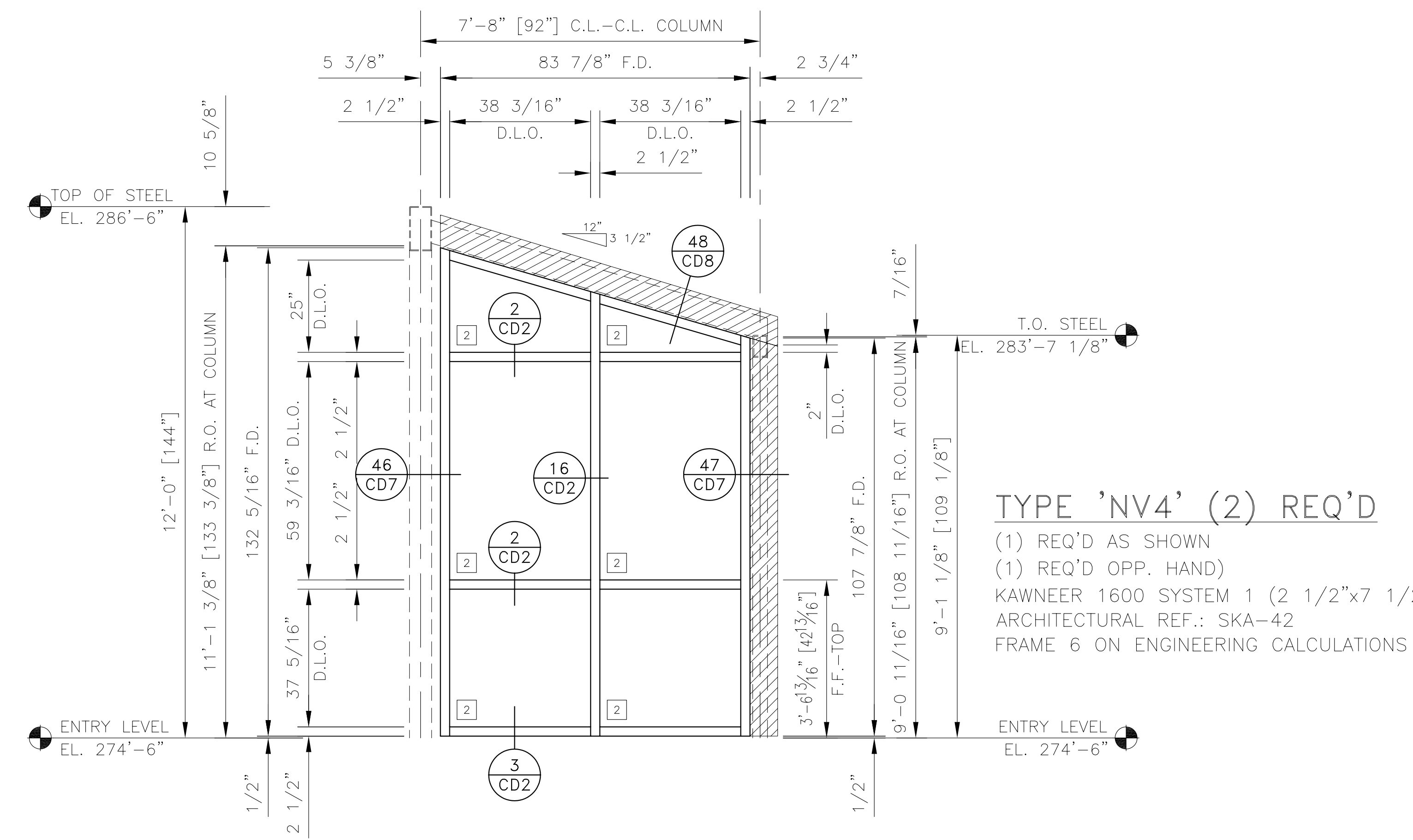
NOTE: ALL DIMENSIONS AND ANGLES TO BE FIELD VERIFIED.



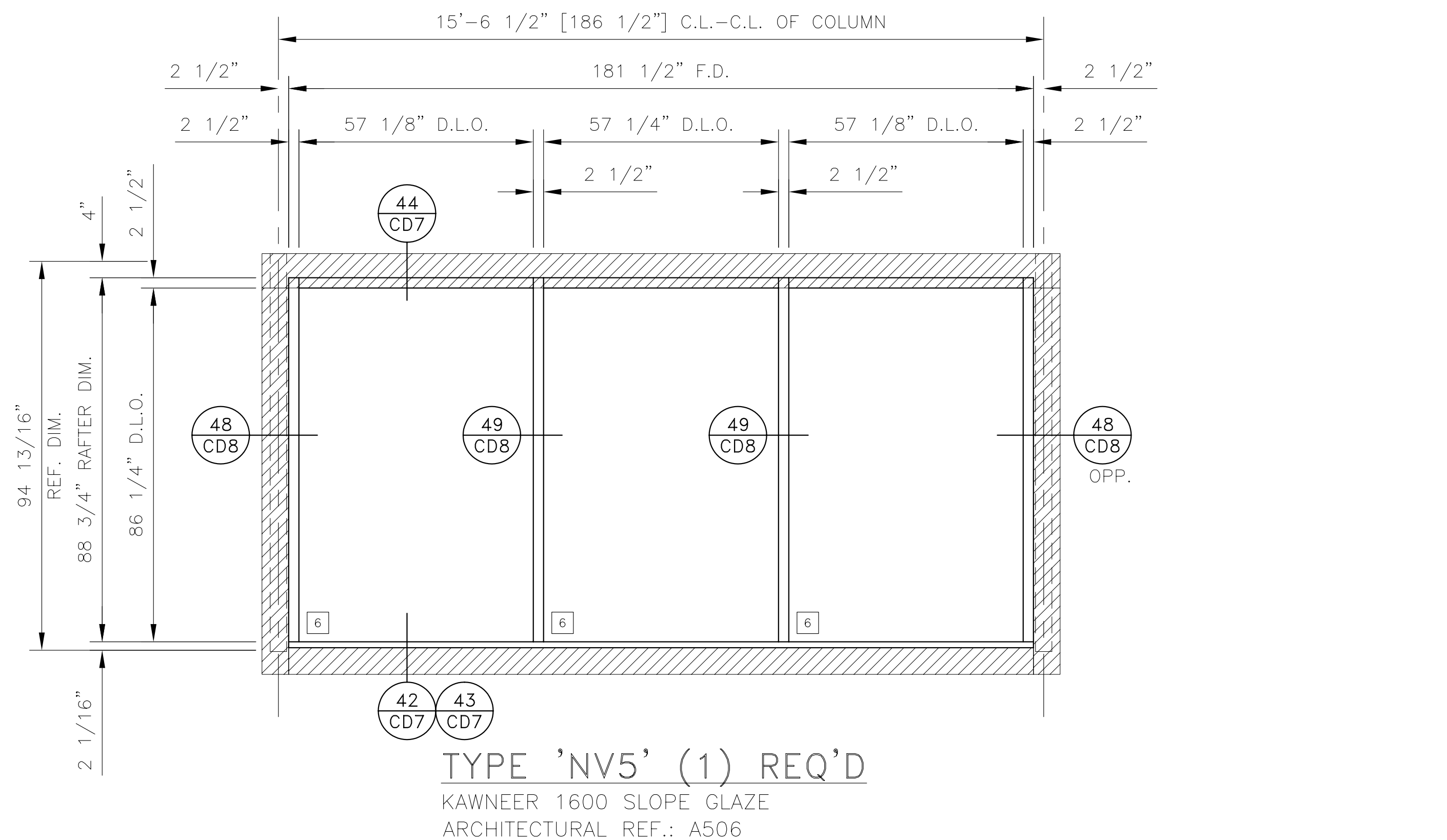
TYPE 'NV2' (1) REQ'D
 KAWNEER 1600 SYSTEM 1 (2 1/2"x10 1/2")
 KAWNEER 500 WIDE STILE DOOR
 ARCHITECTURAL REF.: F4/A506



TYPE 'NV3' (1) REQ'D
 KAWNEER 1600 SYSTEM 1 (2 1/2"x7 1/2")
 KAWNEER 500 WIDE STILE DOOR
 ARCHITECTURAL REF.: SKA-42
 FRAME 15 ON ENGINEERING CALCULATIONS



TYPE 'NV4' (2) REQ'D
 (1) REQ'D AS SHOWN
 (1) REQ'D OPP. HAND
 KAWNEER 1600 SYSTEM 1 (2 1/2"x7 1/2")
 ARCHITECTURAL REF.: SKA-42
 FRAME 6 ON ENGINEERING CALCULATIONS



TYPE 'NV5' (1) REQ'D
 KAWNEER 1600 SLOPE GLAZE
 ARCHITECTURAL REF.: A506

REVISOR	DATE	REVISION
GRI	1/4/07	
GRI	1/30/07	

GLAZING CONTRACTOR:

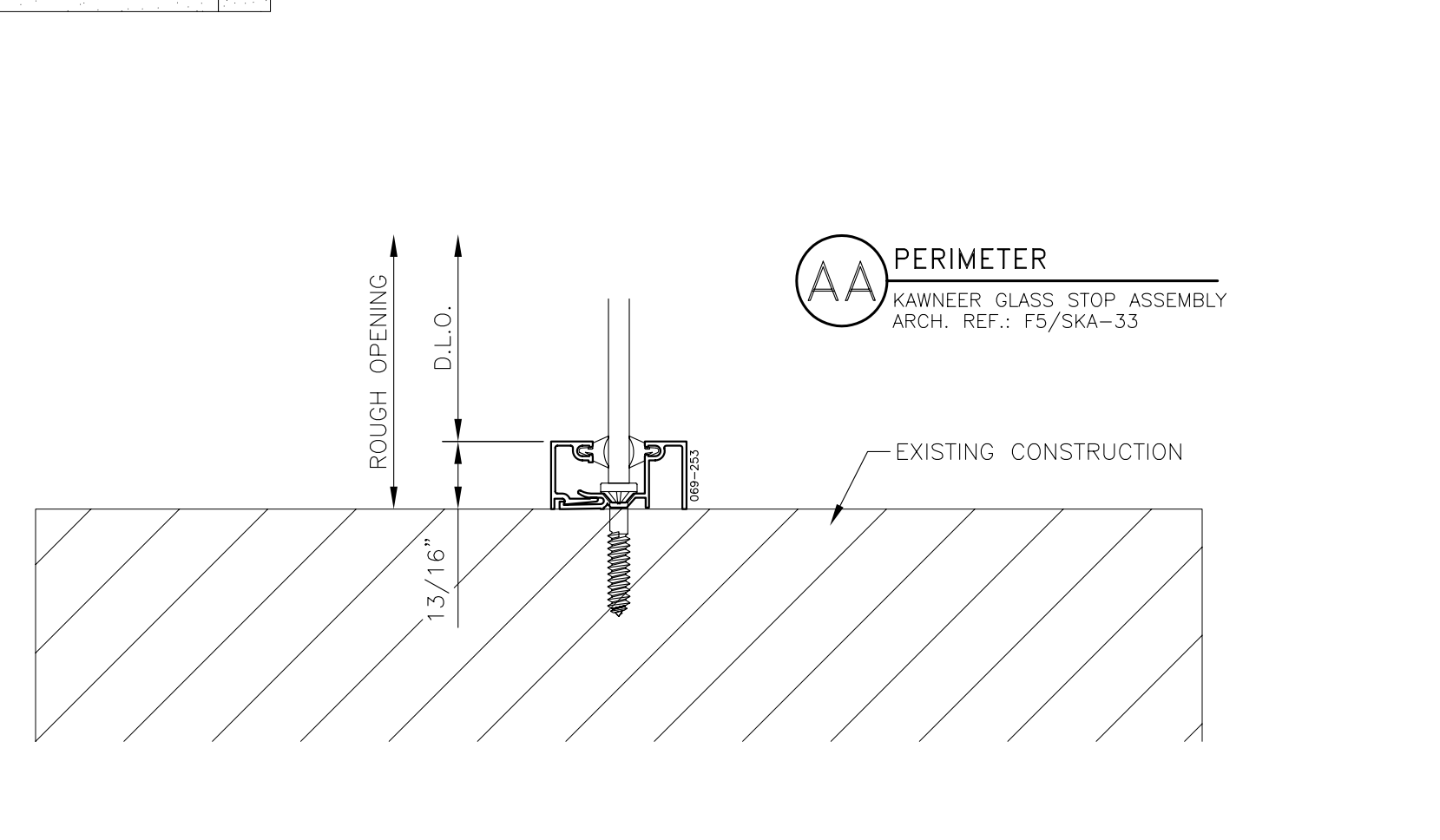
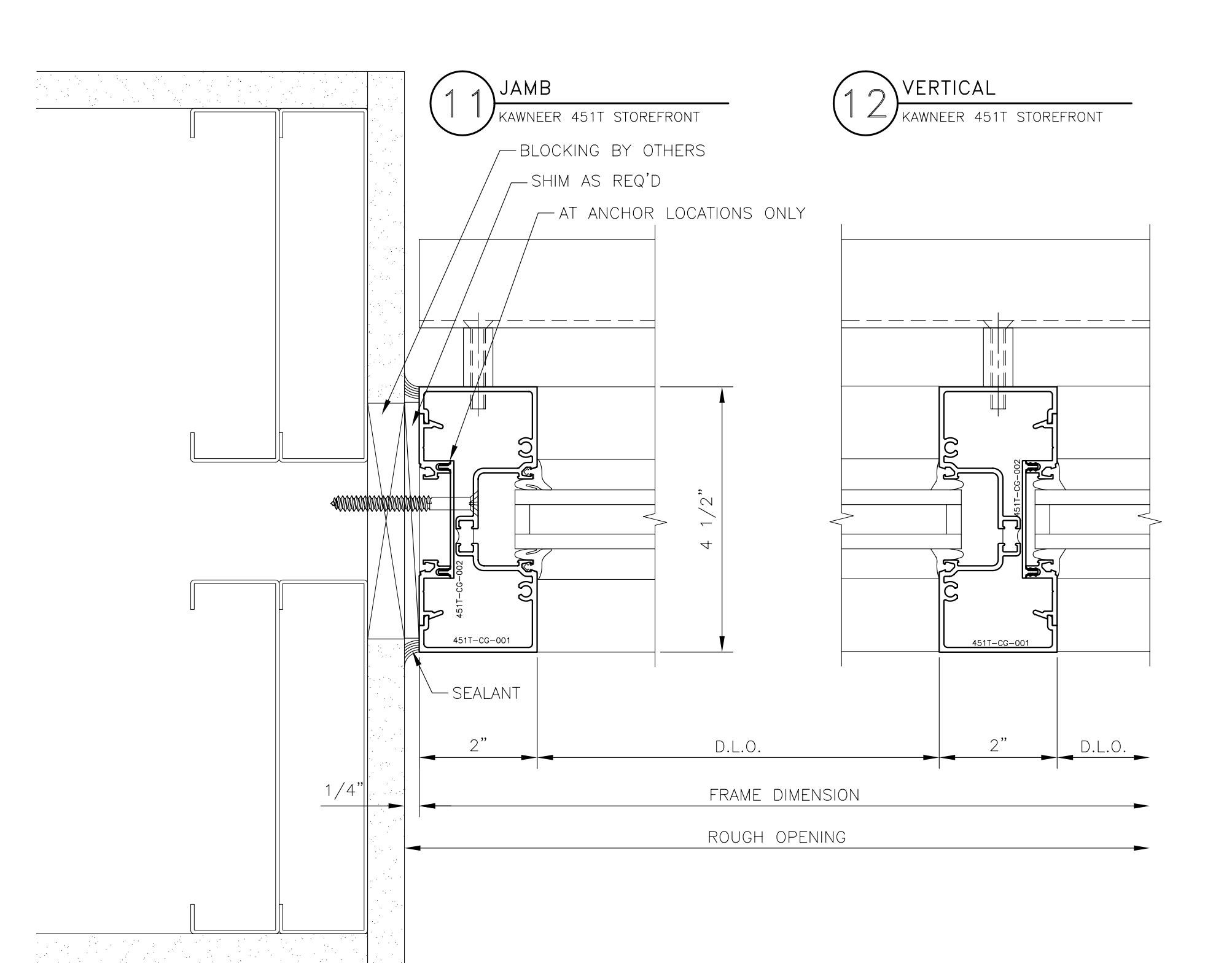
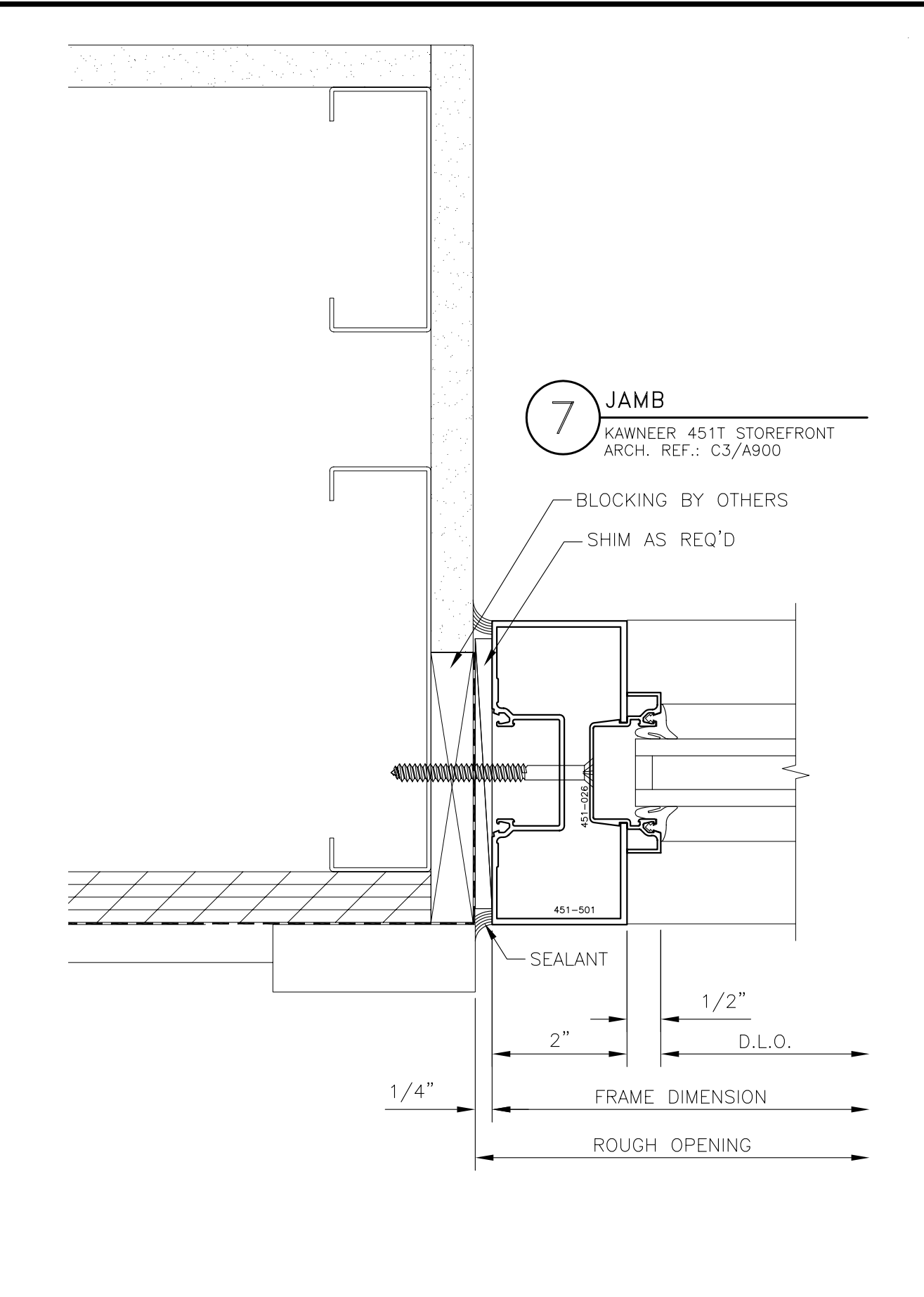
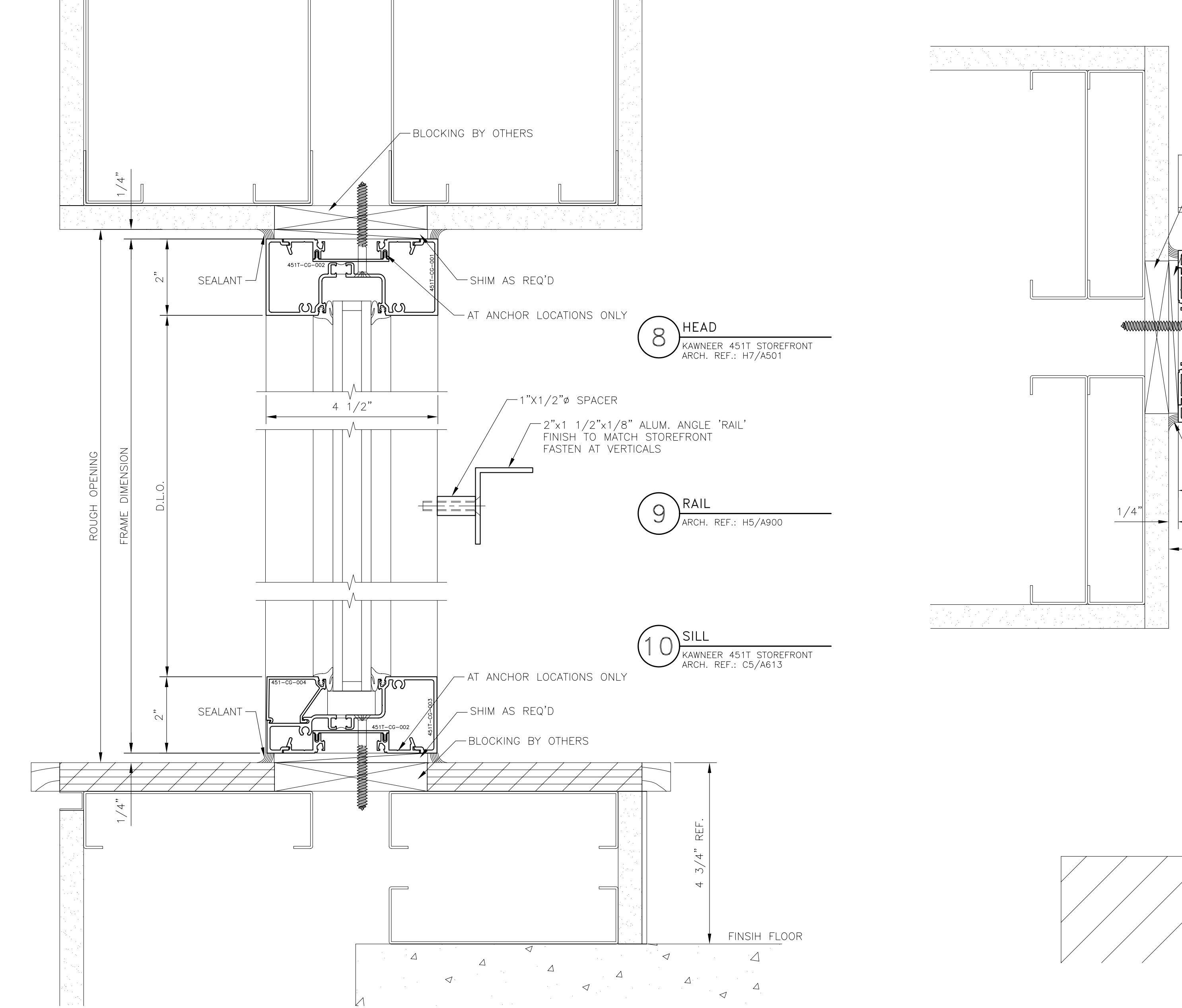
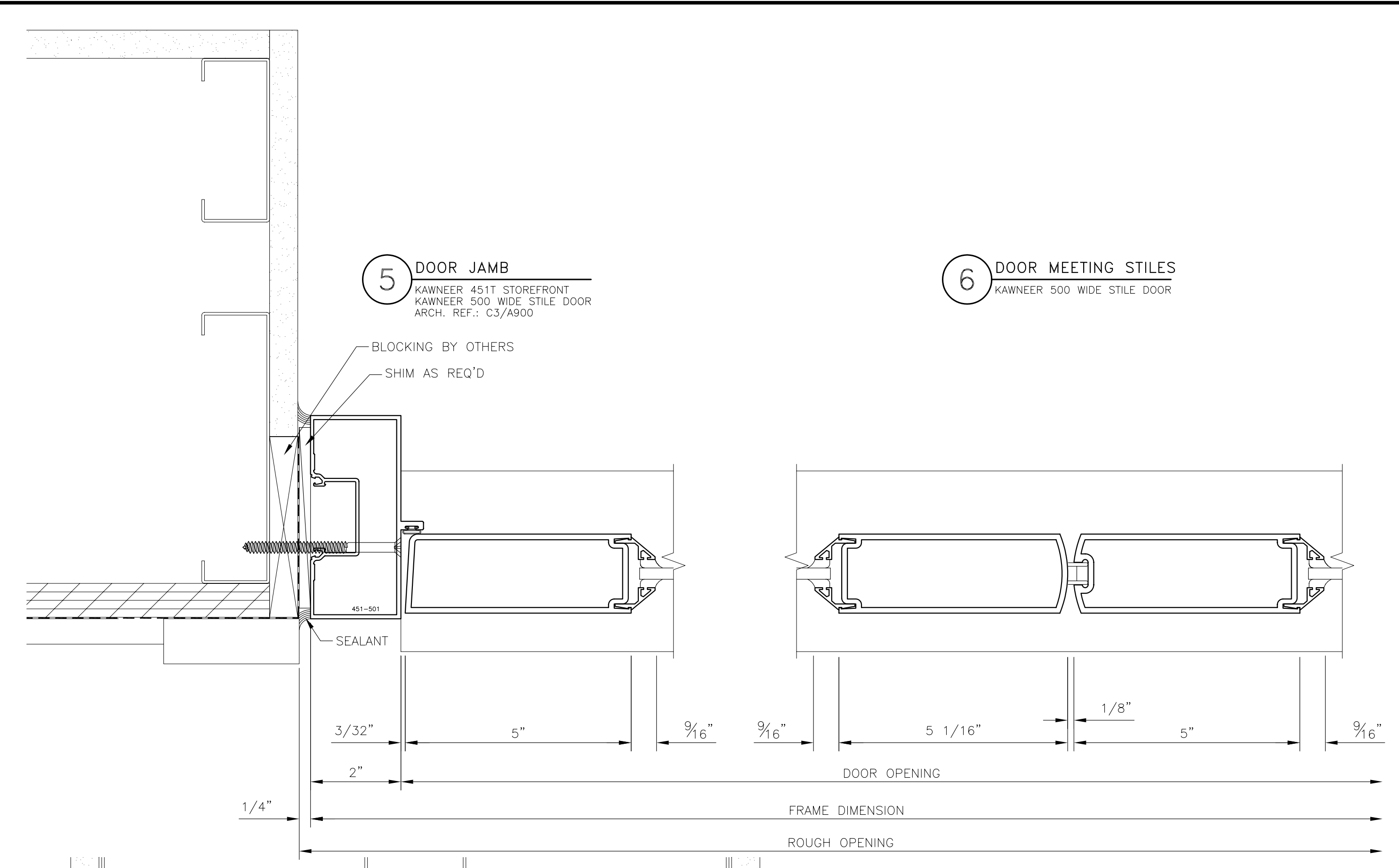
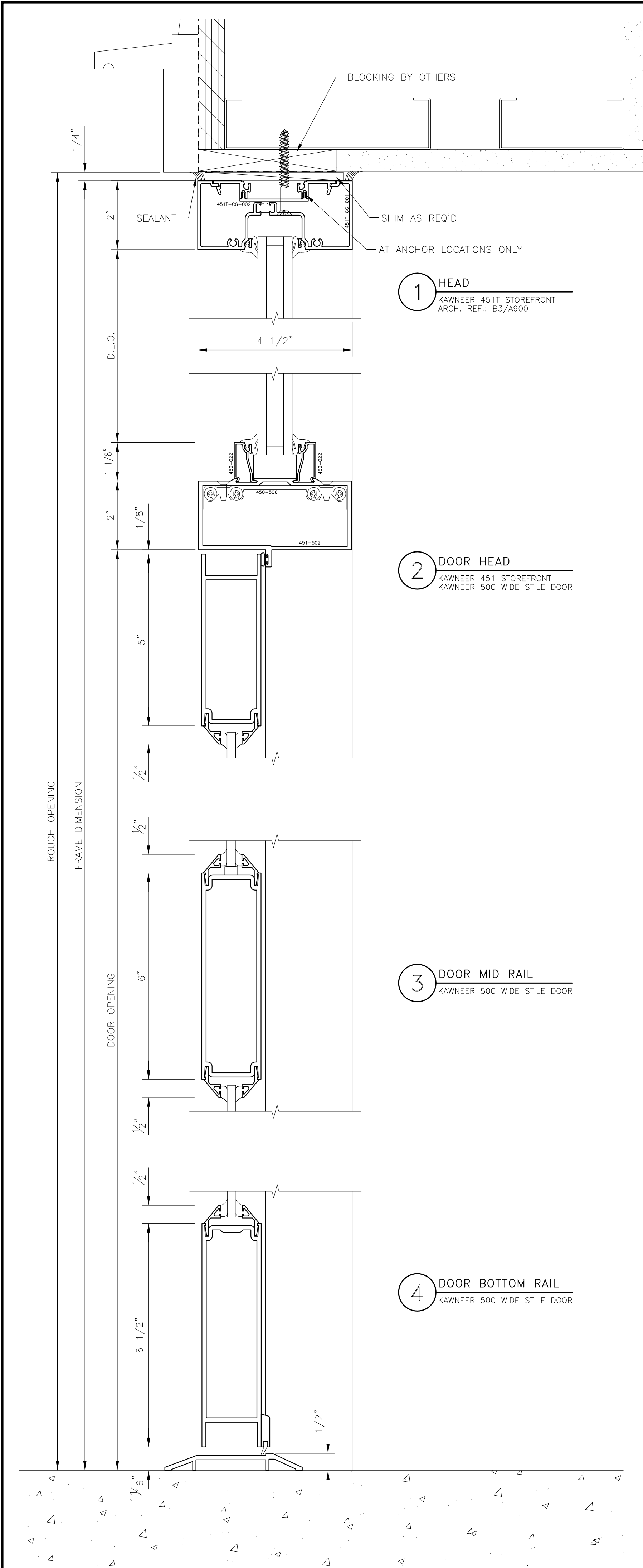
ARCHITECT:
Bohlin Cwynski Jackson
 Architecture Planning Interior Design
 1000 North 10th Street, Suite 110
 Philadelphia, PA 19108
 215.750.5900

CURTAIN WALL ELEVATIONS
 PROJECT: COLBY COLLEGE - COTTER UNION EXP.
 LOCATION: WATERVERILLE, MAINE

Glazier's Resource Inc.
 "New & Smart Glazing Design and Drapery"
 258 NORTH STATE ST., SUITE 110
 CONCORD, NH 03301-5322
 PH: 603.860.0186
 WWW.GLAZIERSRESOURCE.COM

SCALE:
 1/2"=1'-0"
 DATE:
 11/1/06
 PROJECT:
 GR06-0144
 SHEET:

CE7



GLAZING CONTRACTOR:

ARCHITECT:

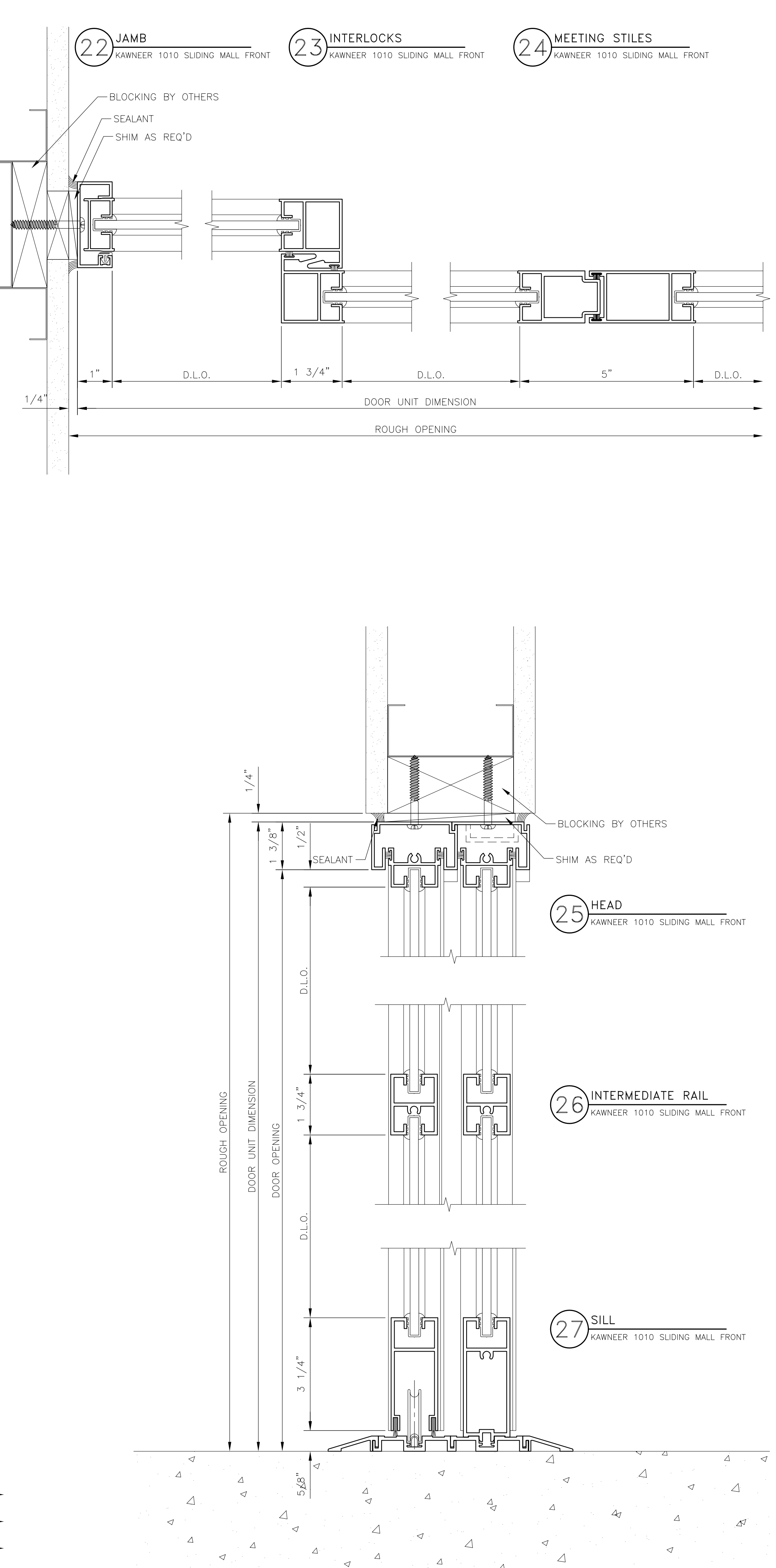
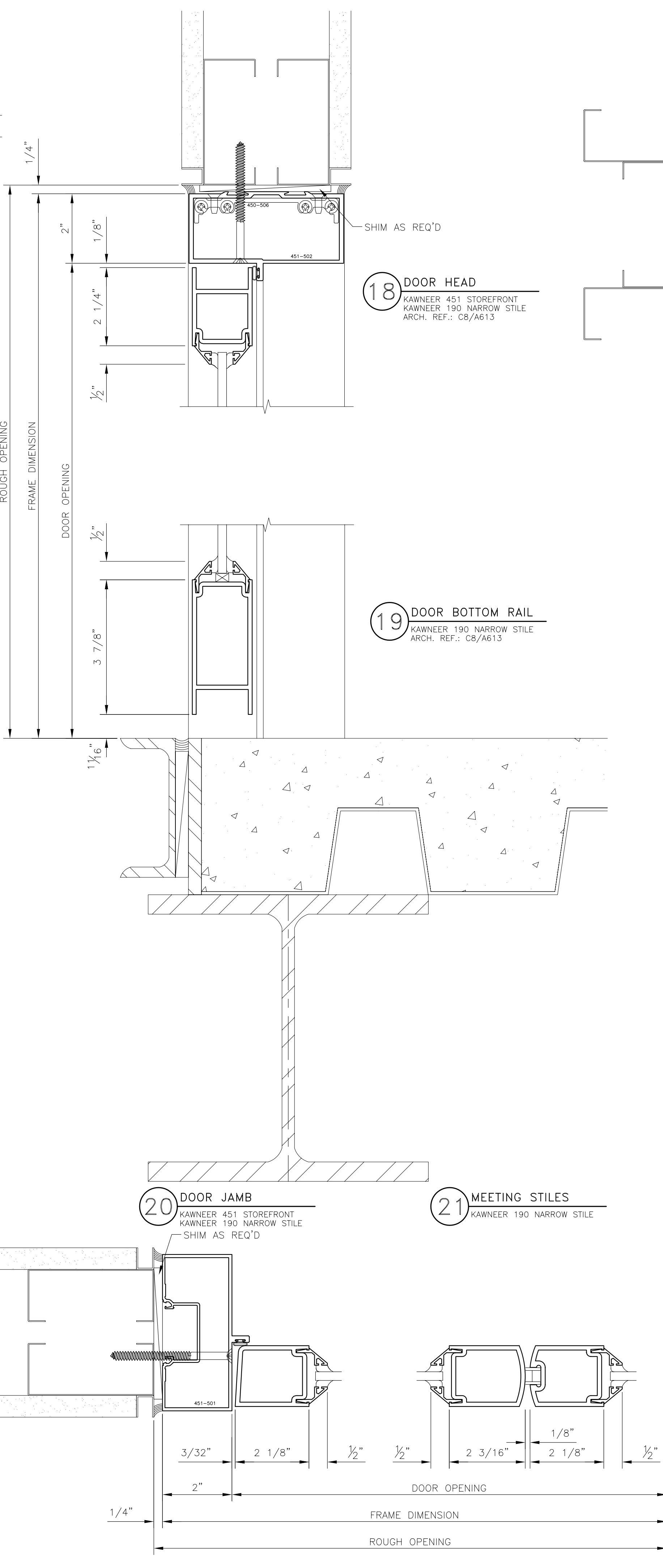
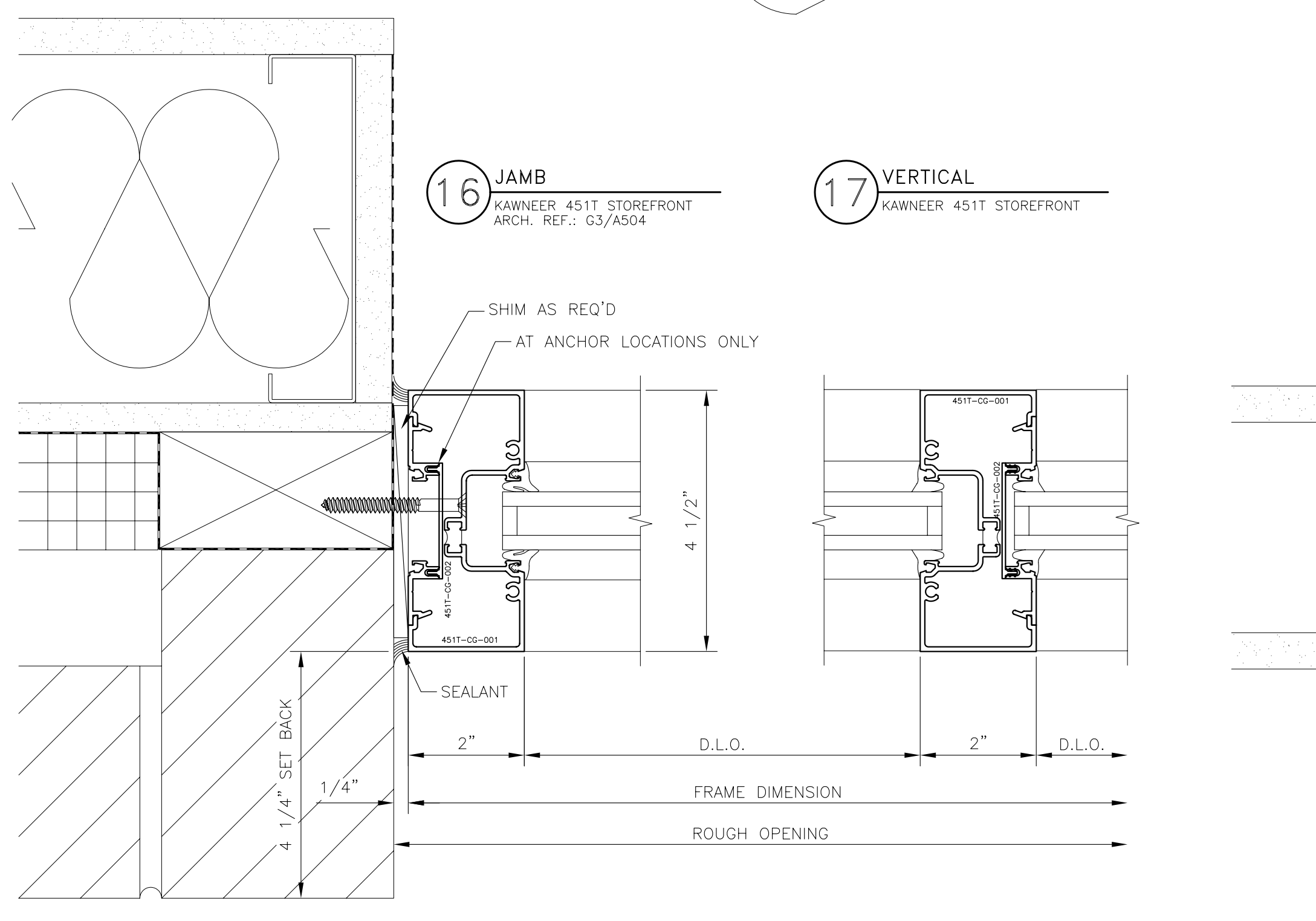
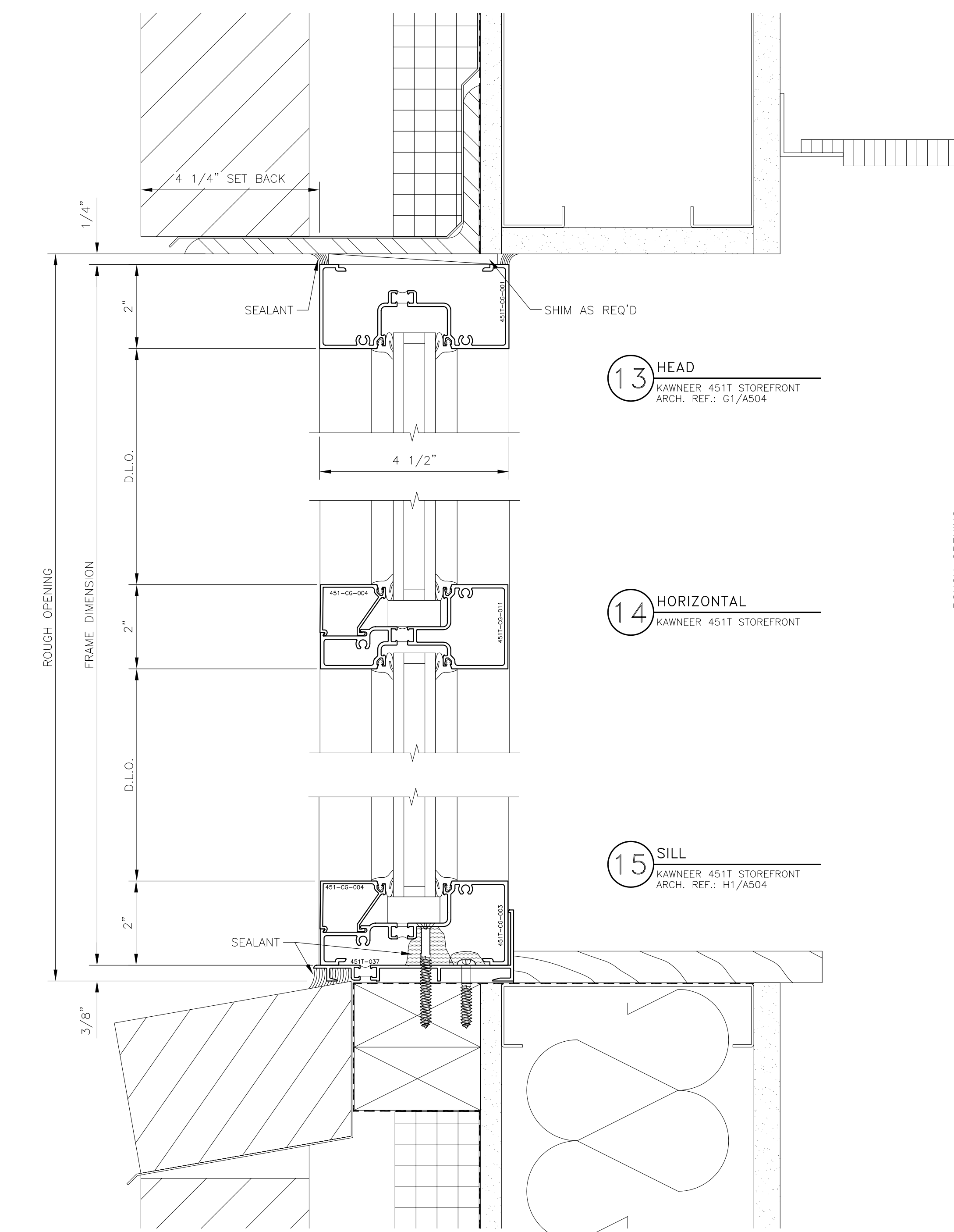
Bohlin Cywinski Jackson
Architecture Planning Interior Design
1100 Walnut Street, Suite 1170
Philadelphia, PA 19105
215.750.5900

STOREFRONT DETAILS

PROJECT: COLBY COLLEGE - COTTER UNION EXP.
LOCATION: WATERVILLE, MAINE

Glazier's Resource Inc.
New & Repair For Glazing Design and Drafting
258 NORTH STATE STREET, SUITE 105
CONCORD, NH 03301-5322
PH: 603.860.0188
WWW.GLAZIERSRESOURCE.COM

SCALE: HALF
DATE: 11/1/06
PROJECT: GR06-0144
SHEET: SD1



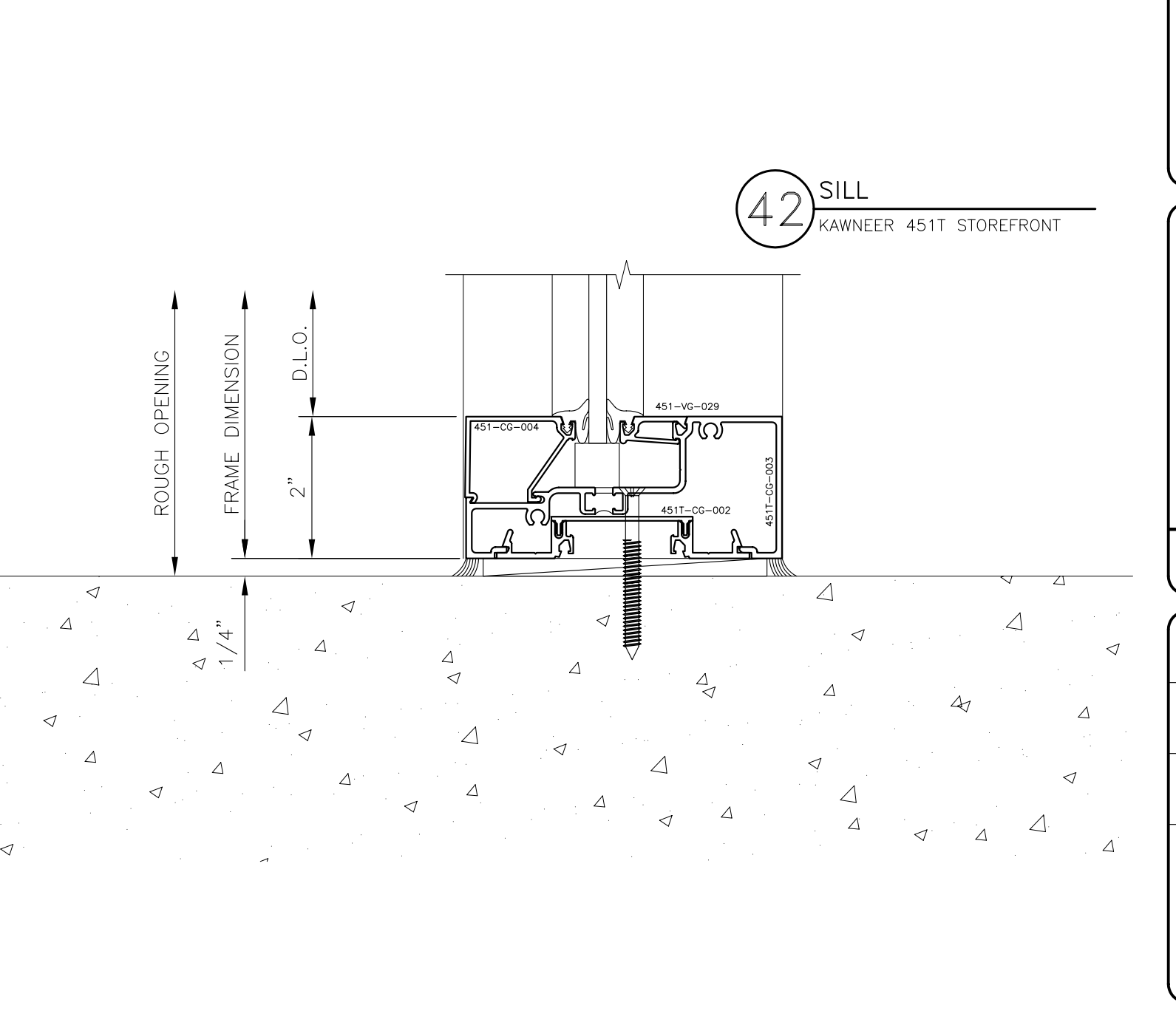
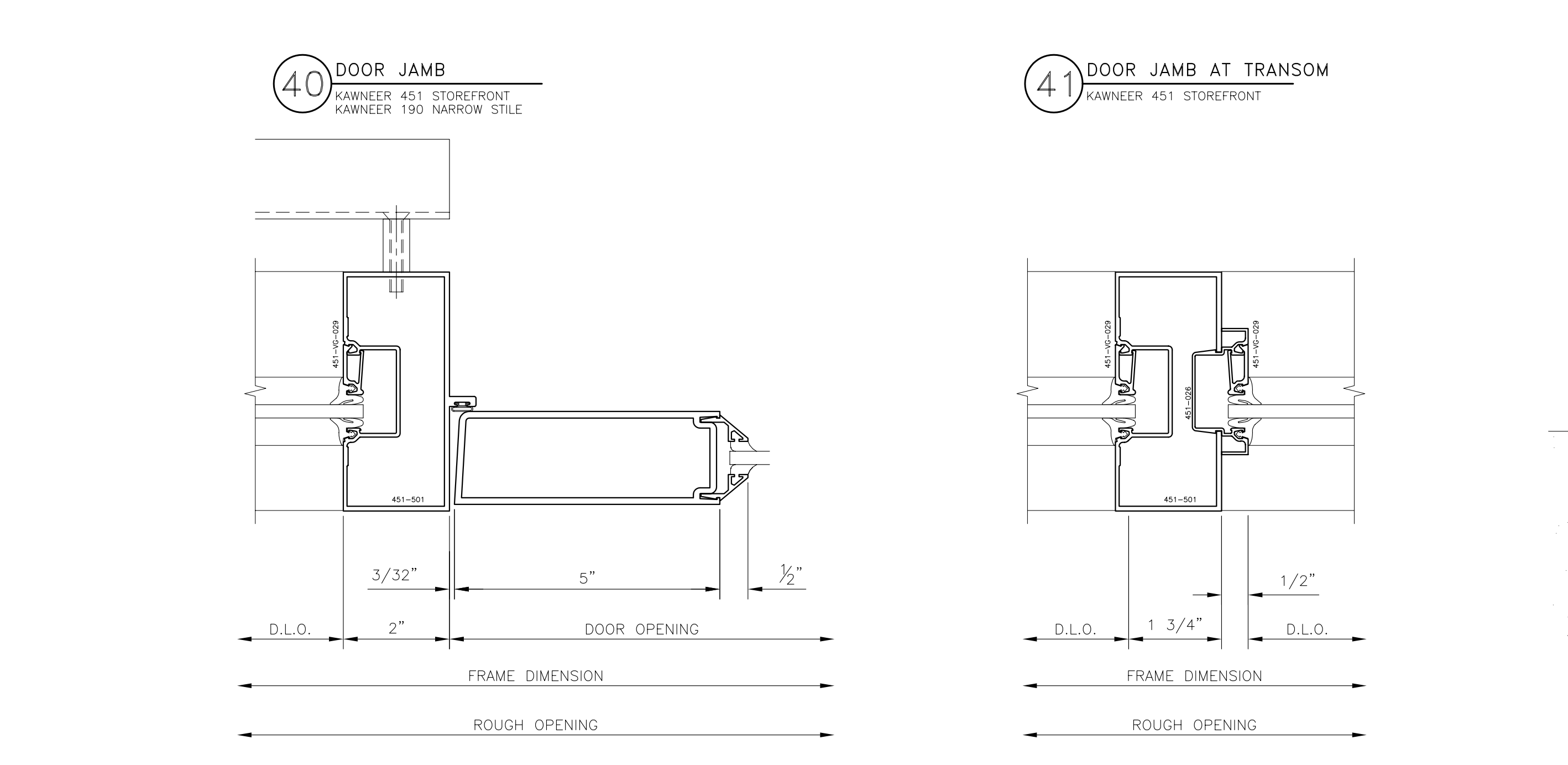
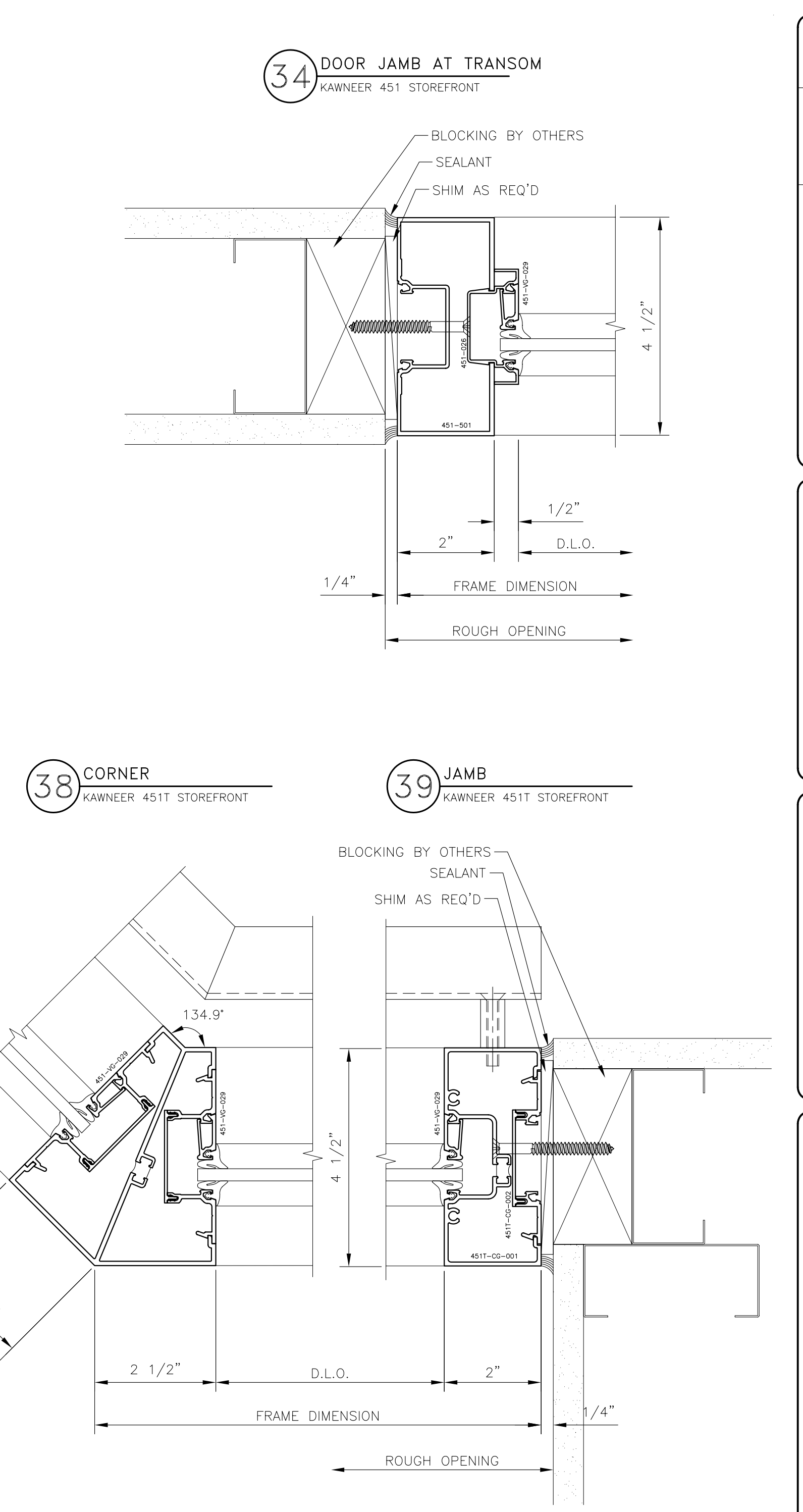
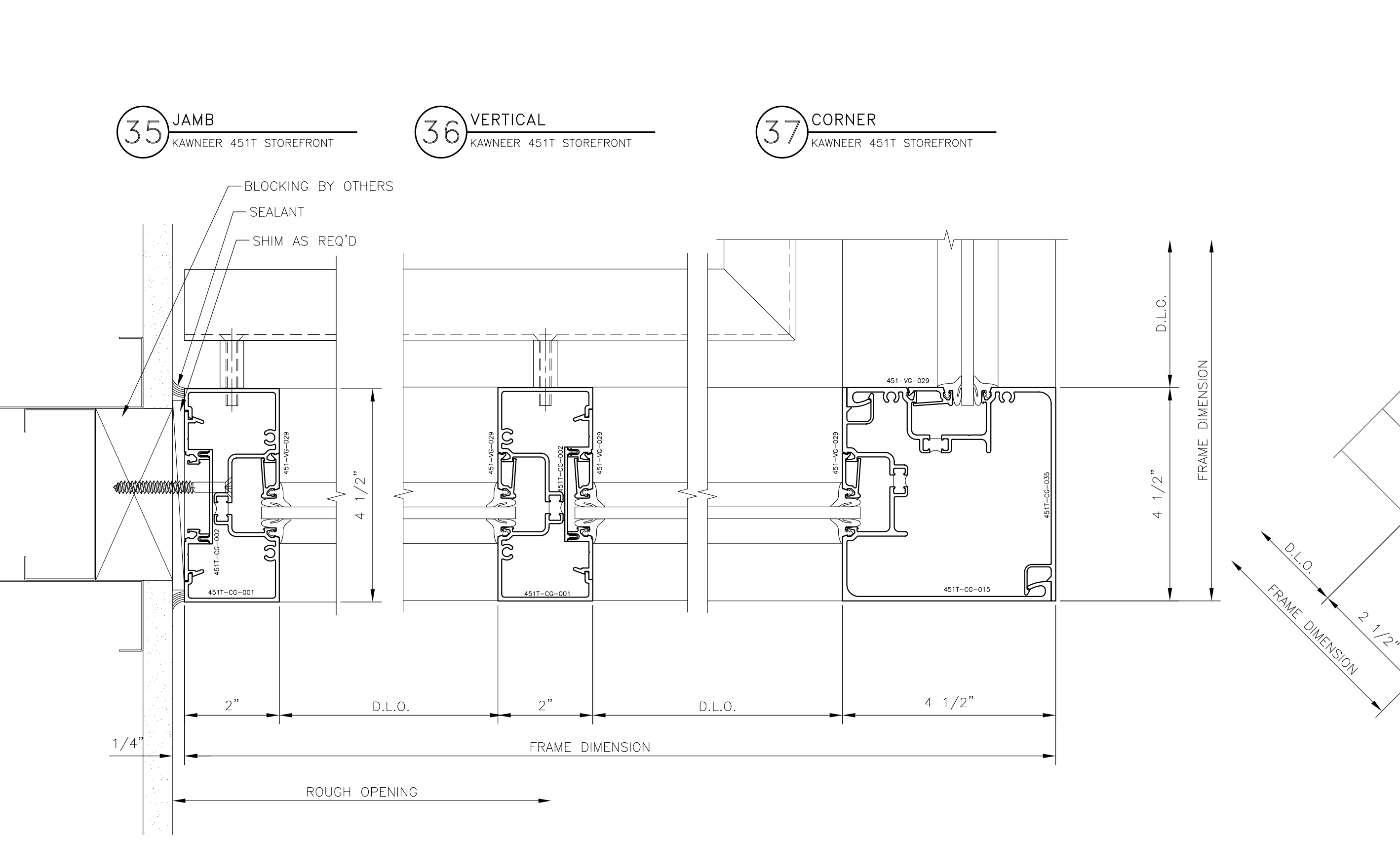
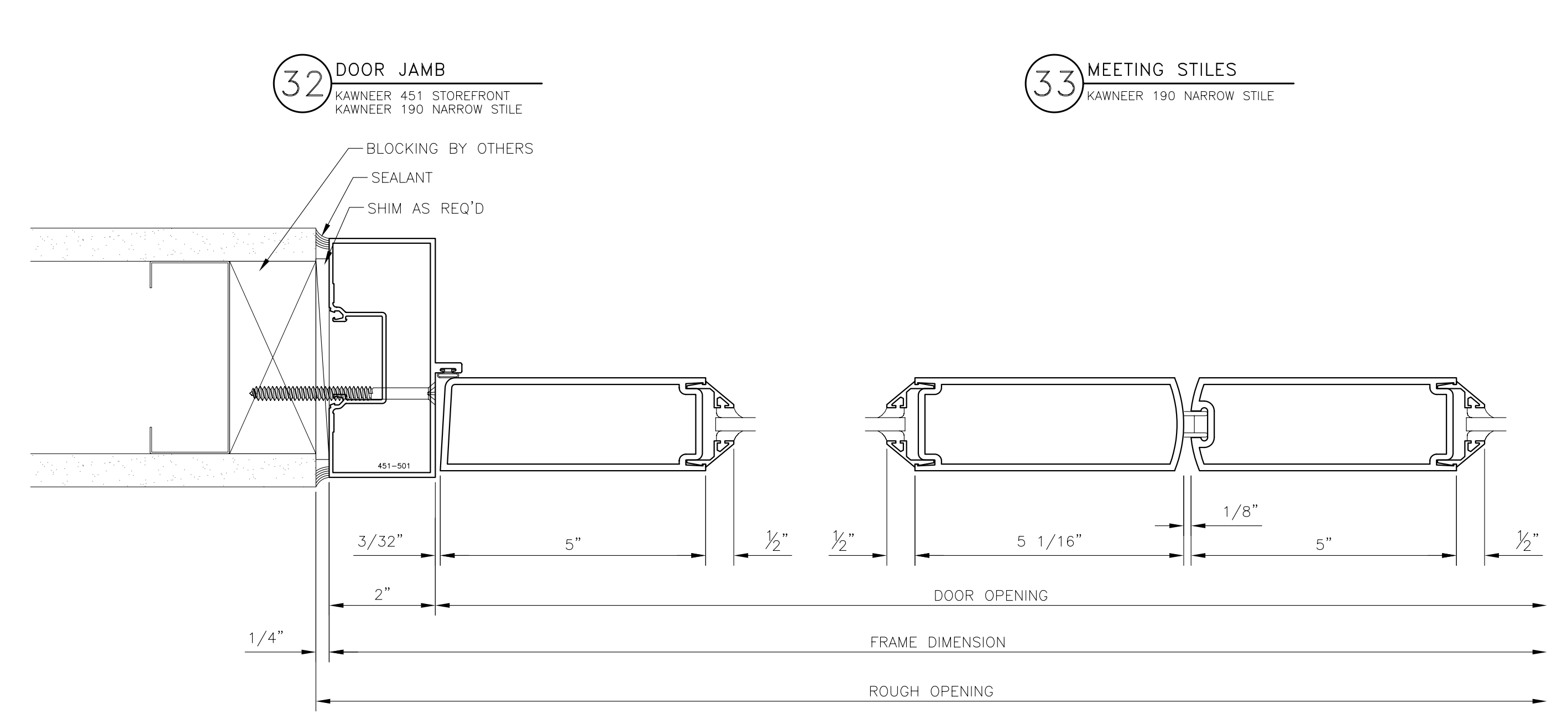
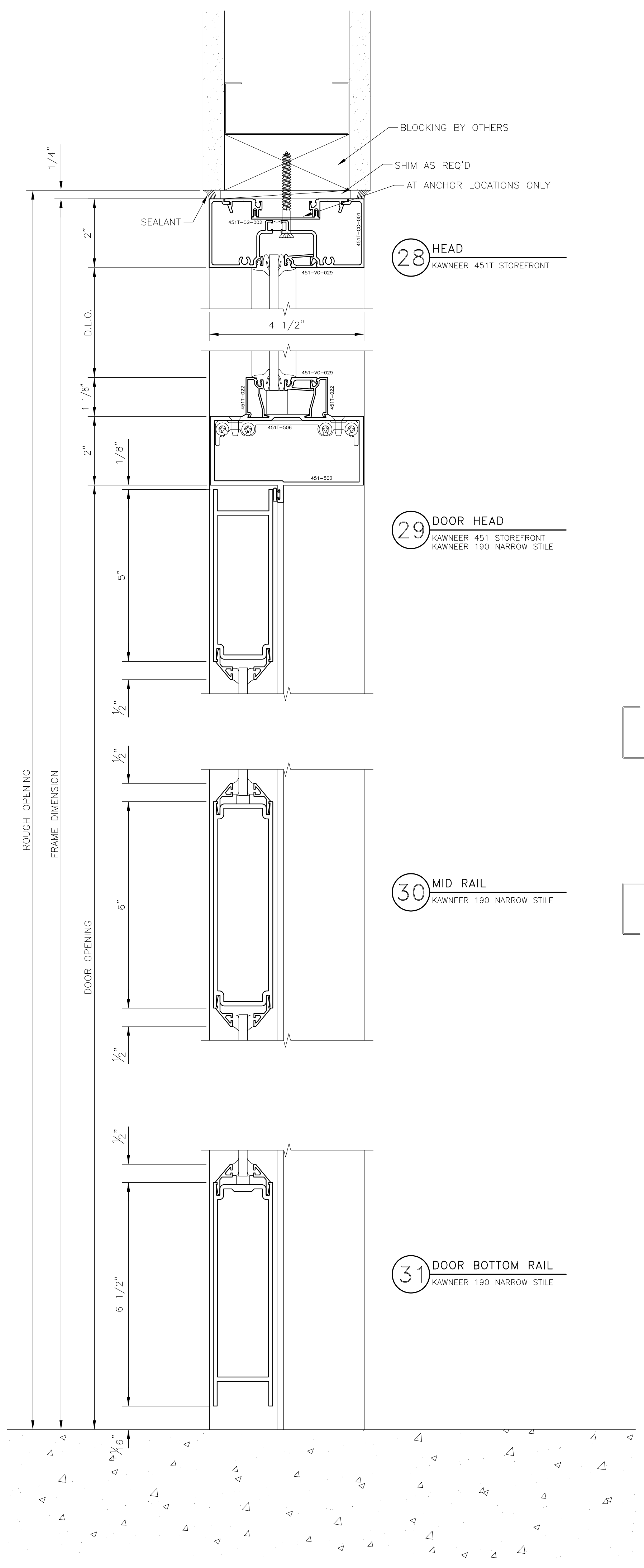
GLAZING CONTRACTOR:

ARCHITECT:
Bohin Cywinski Jackson
Architecture Planning Interior Design
1700
Philadelphia, PA 19105
215.750.5900

STOREFRONT DETAILS
PROJECT: COLBY COLLEGE - COTTER UNION EXP.
LOCATION: WATERVERILLE, MAINE

Glazier's Resource Inc.
New & Senior Glazier Design and Drafting
215 NORTH STATE ST. SUITE 105
CONCORD, NH 03301-9322
PH: 603.860.0198
WWW.GLAZIERSRESOURCE.COM

SCALE: HALF
DATE: 11/1/06
PROJECT: GR06-0144
SHEET: SD2



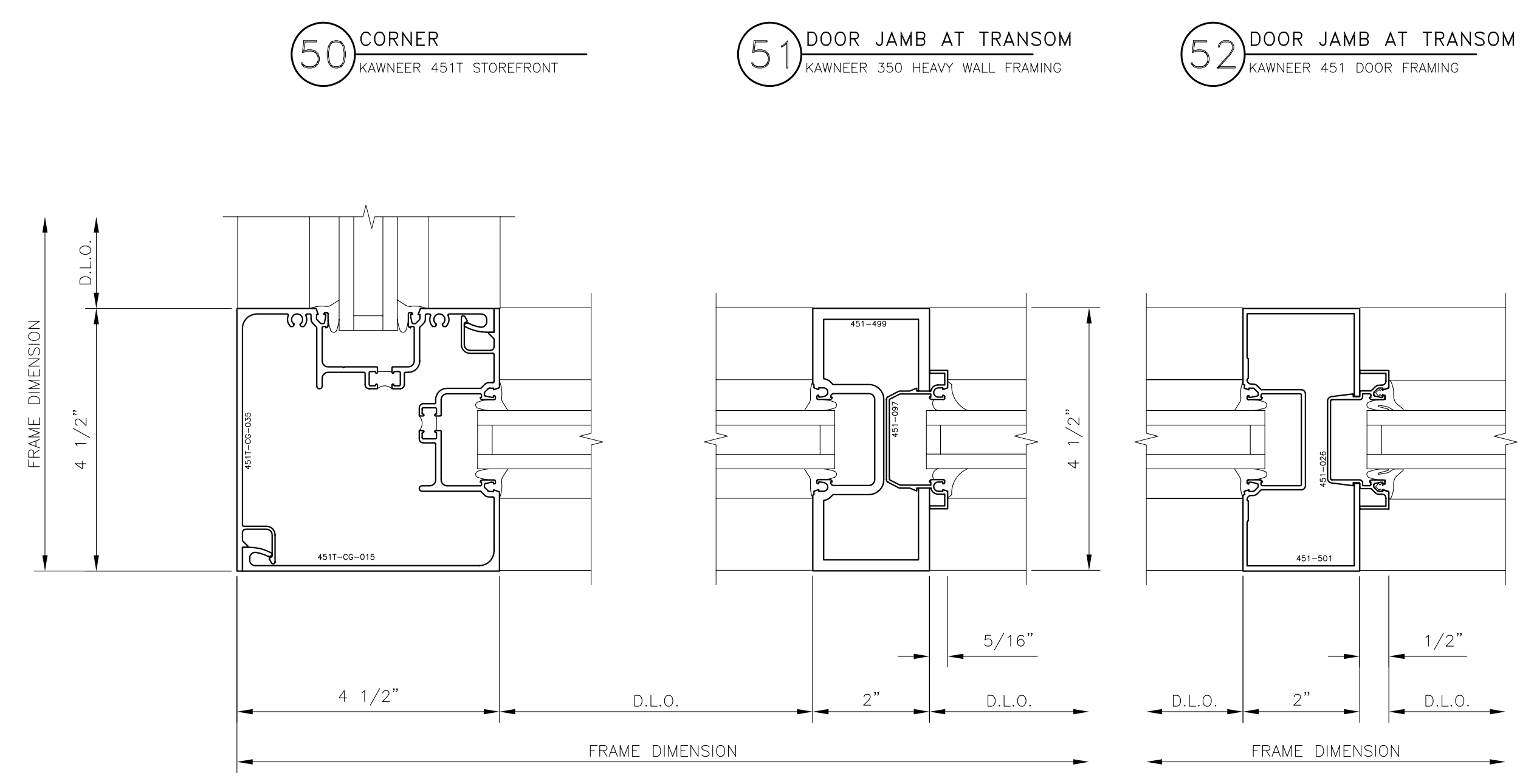
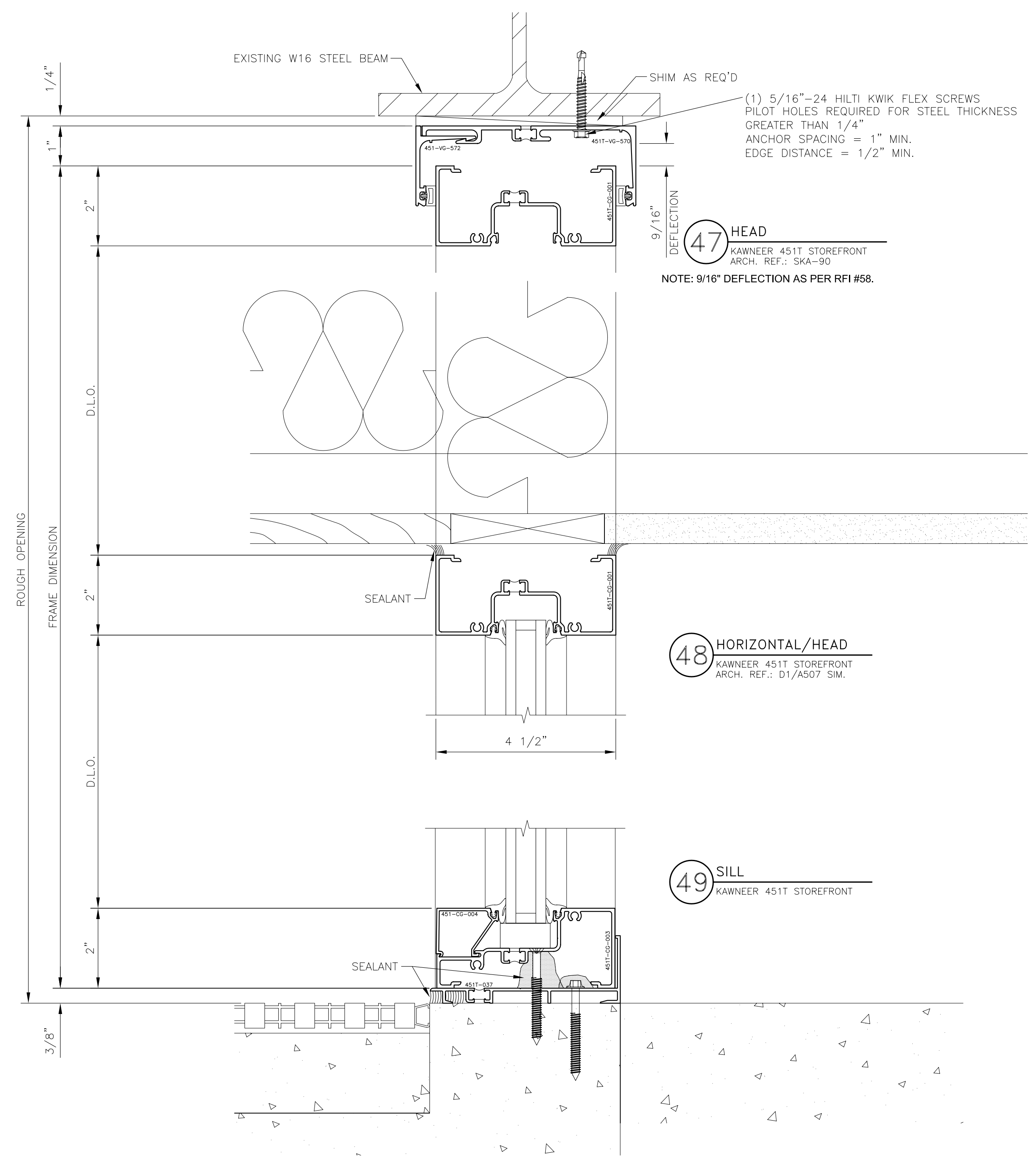
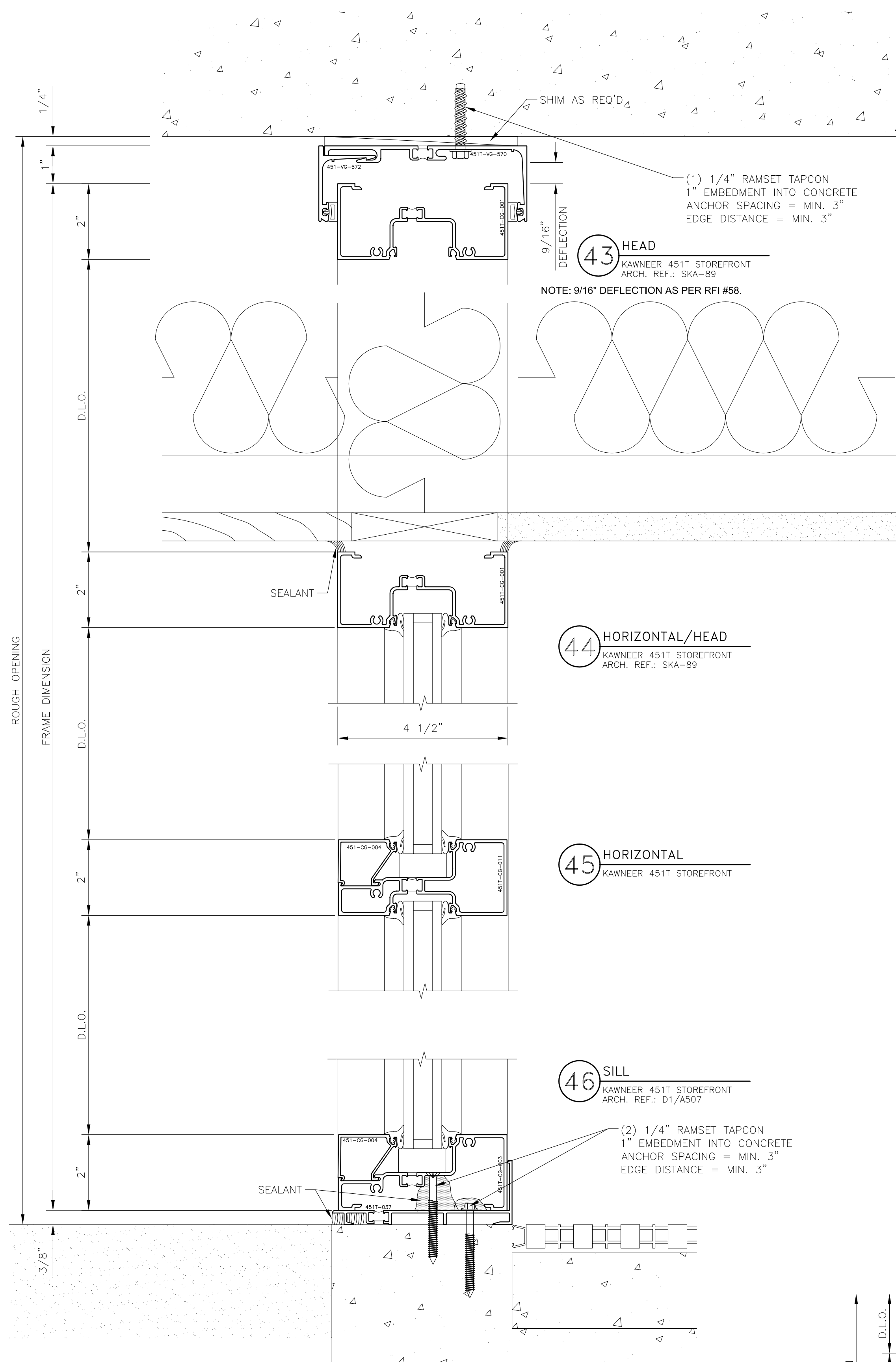
GLAZING CONTRACTOR:

ARCHITECT:
Bohlin Cywinski Jackson
Architecture Planning Interior Design
200 NORTH STATE ST. SUITE 10
PHILADELPHIA, PA 19105
215.750.5900

STOREFRONT DETAILS
PROJECT: COLBY COLLEGE - COTTER UNION EXP.
LOCATION: WATERVILLE, MAINE

Glazier's Resource Inc.
"New & Smart Glazing Design and Drafting"
208 NORTH STATE ST. SUITE 10
CONCORD, NH 03301-5322
PH: 603.860.0186
WWW.GLAZIERSRESOURCE.COM

SCALE: HALF
DATE: 11/1/06
PROJECT: GR06-0144
SHEET: **SD3**



TYPICAL ANCHOR NOTES FOR ALL FRAMES:
ALL MULLIONS ARE 6063-T6 EXTRUDED ALUMINUM
ALL ALUMINUM MEMBERS AT LOCATIONS OF ATTACHMENT INTO WOOD BLOCKING OR CONCRETE TO BE PRE-DRILLED.
PROVIDE NEOPRENE WASHER AND/OR GROMMETS @ ALL ALUMINUM ATTACHMENTS LOCATIONS TO WOOD BLOCKING, CONCRETE OR OTHER DISSIMILAR MATERIALS.
PROVIDE FULL COVERAGE NEOPRENE GASKET BETWEEN DISSIMILAR MATERIALS AND ALUMINUM CURTAIN WALL MEMBERS.

REVISIONS	DATE	BY	APP'D

REVISOR FOR RECORD

6/18/07

GLAZING CONTRACTOR:

ARCHITECT:

Bohlin Cywinski Jackson
Architecture Planning Interior Design
1000 Locust St., Suite 1100
Philadelphia, PA 19106
215.750.5900

STOREFRONT DETAILS

PROJECT: COLBY COLLEGE - COTTER UNION EXP.

LOCATION: WATERTVILLE, MAINE

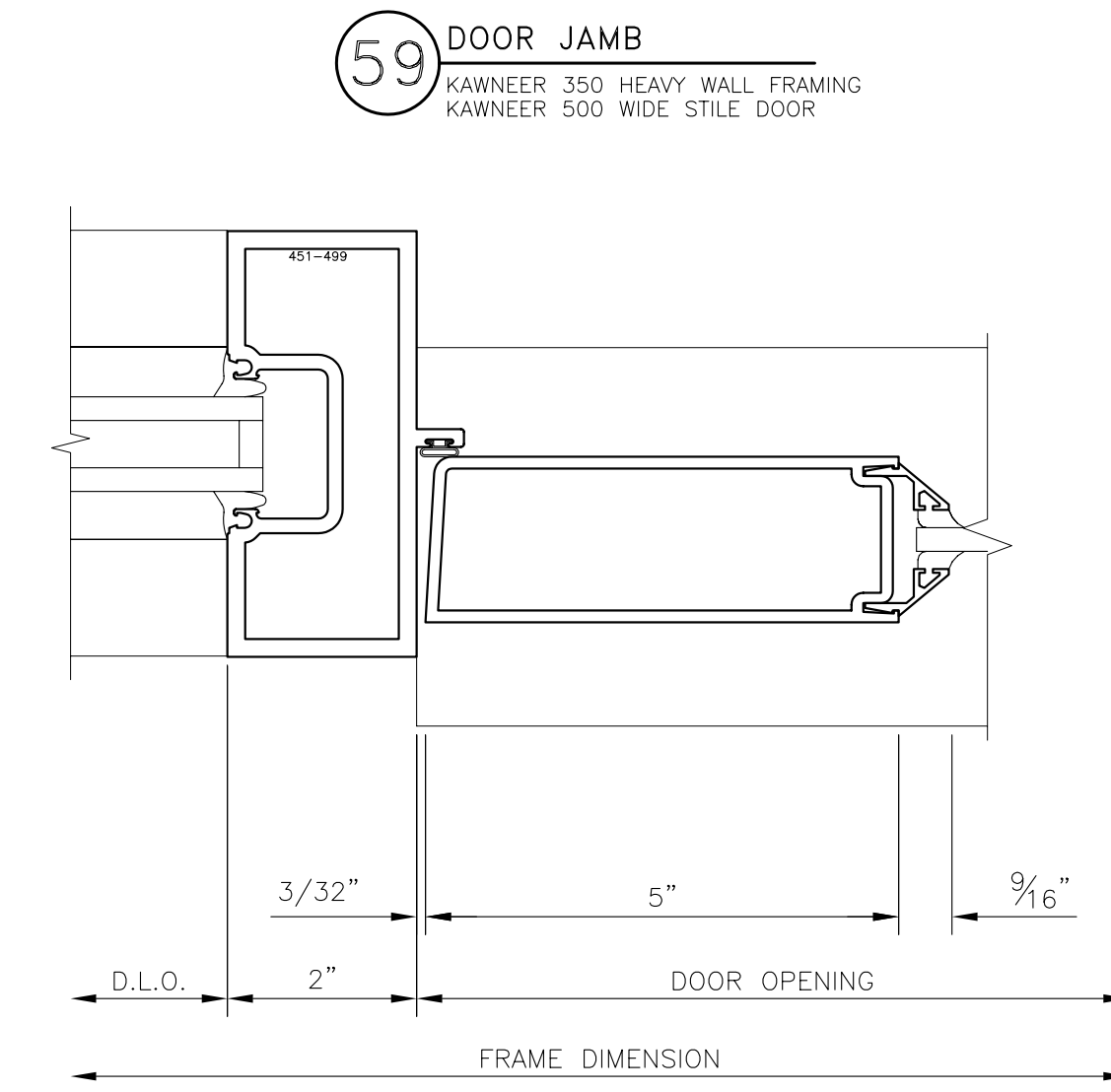
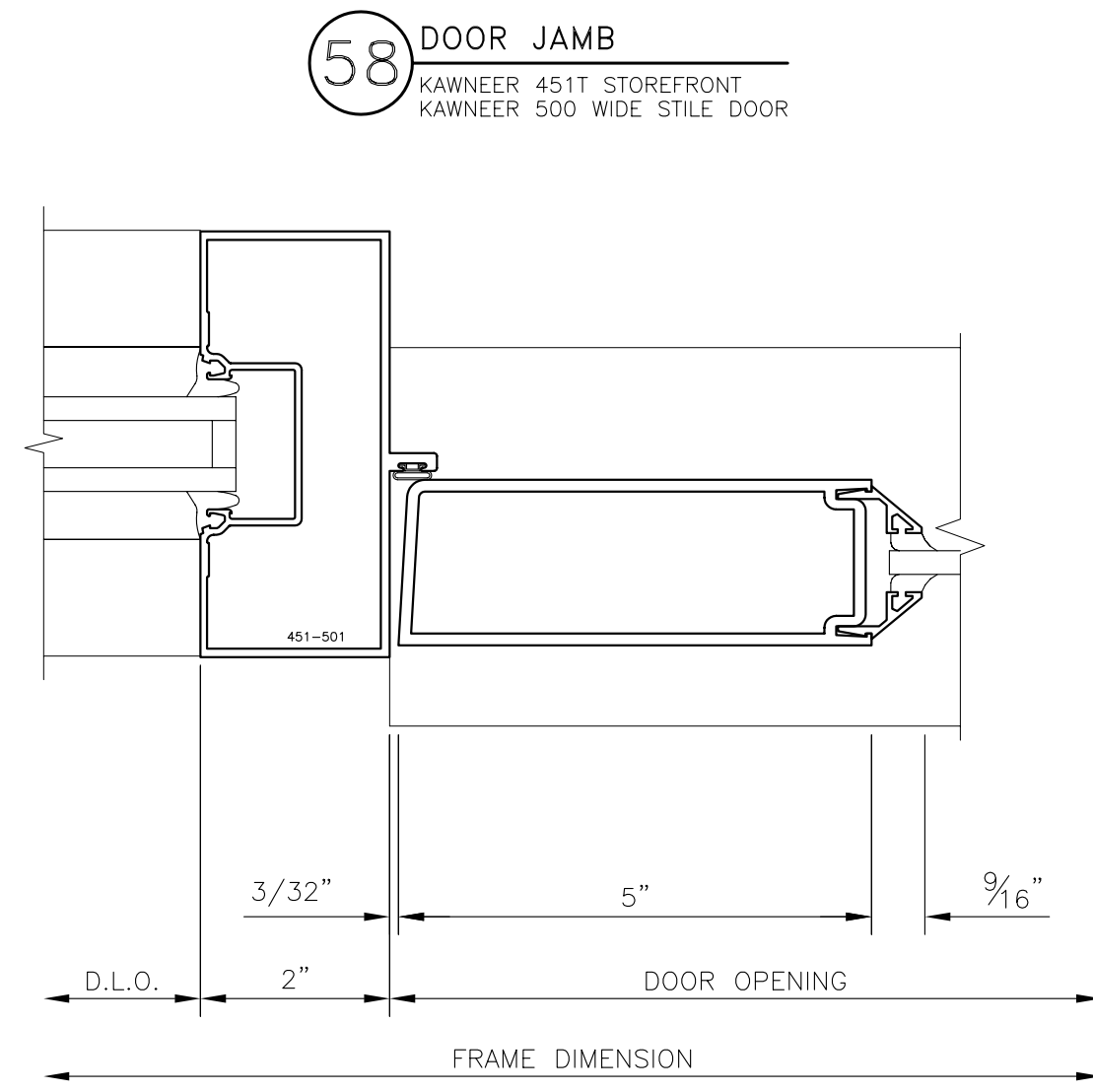
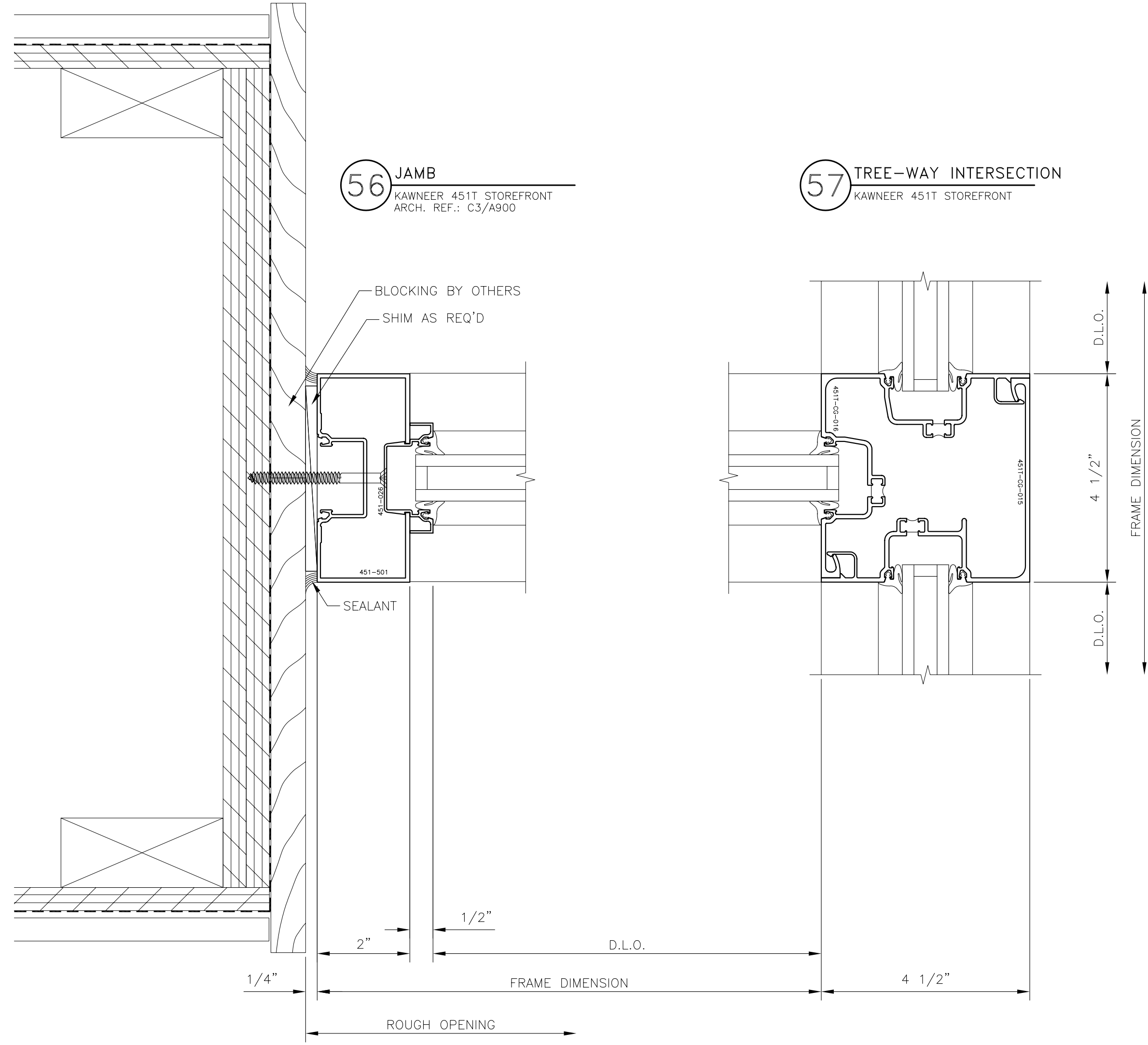
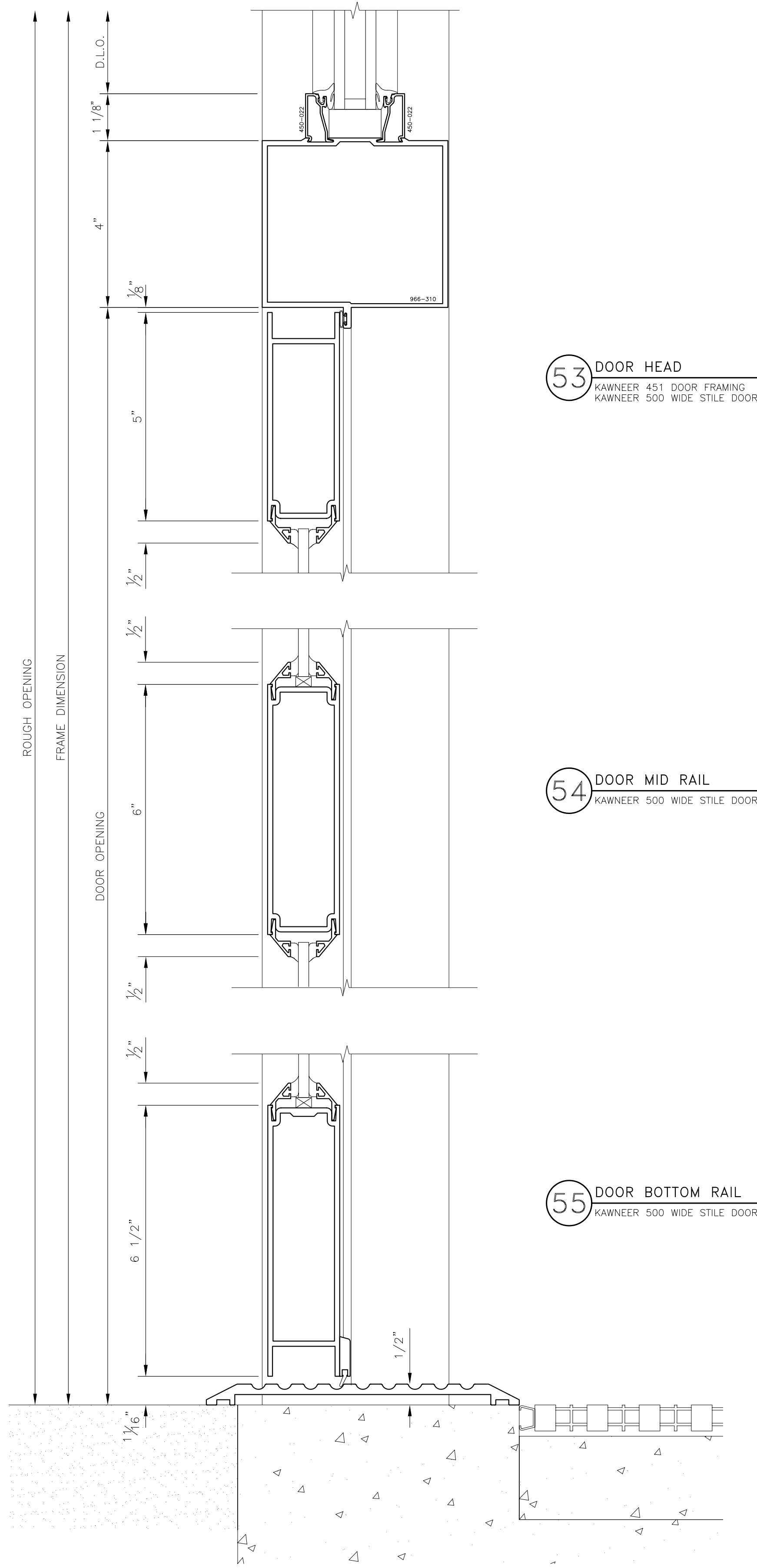
Glazier's Resource Inc.
New & Repair Glazing Design and Drapery
258 NORTH STATE ST., SUITE 105
CONCORD, NH 03301-5322
PH: 603.860.0186
WWW.GLAZIERSRESOURCE.COM

SCALE: HALF

DATE: 1/4/07

PROJECT: GR06-0144

SHEET: **SD4**



GLAZING CONTRACTOR:

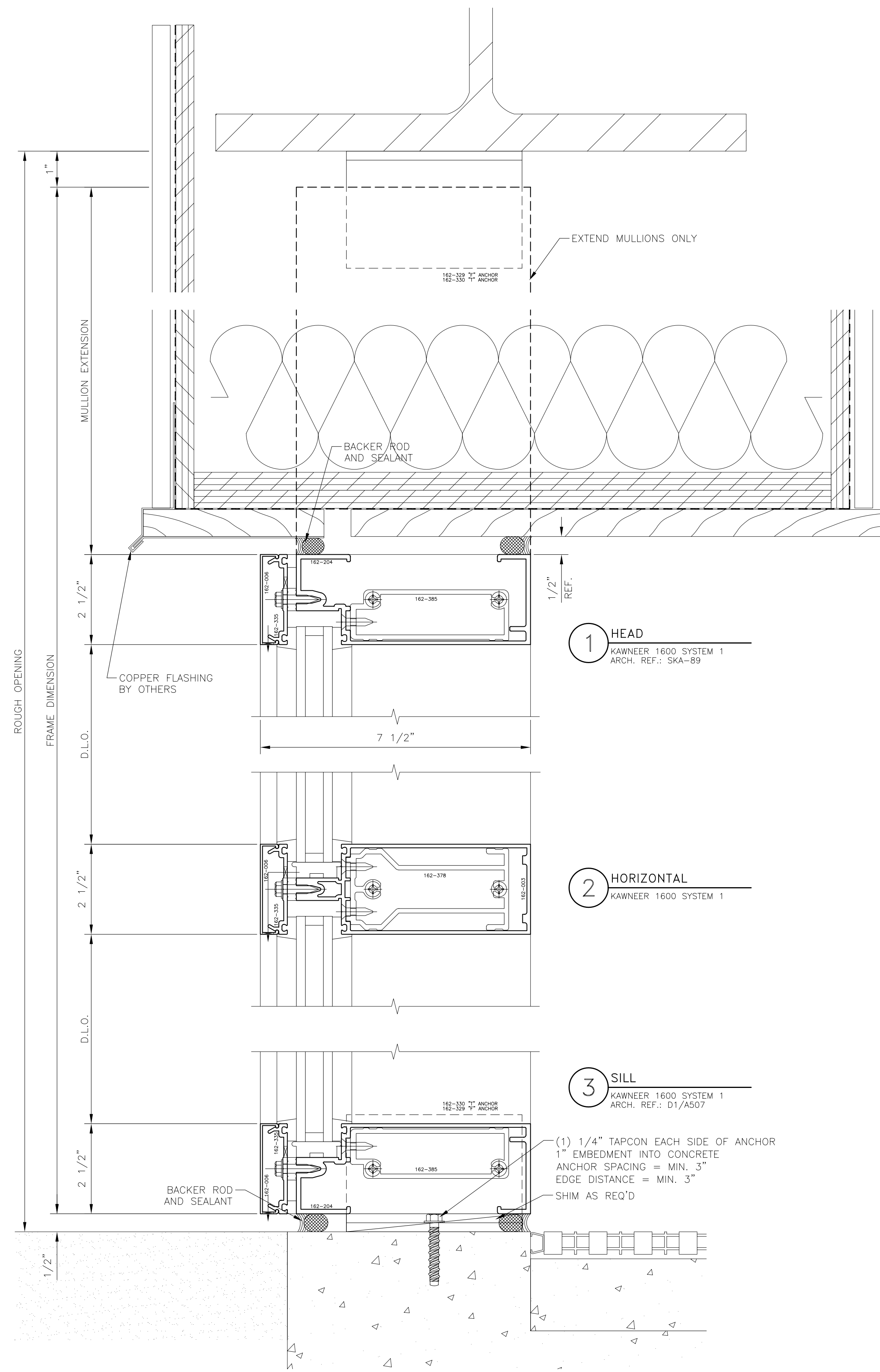
ARCHITECT:
Bohlin Cywinski Jackson
Architecture Planning Interior Design
1000 Locust St., Suite 1100
Philadelphia, PA 19105
215.750.5800

STOREFRONT DETAILS
PROJECT: COLBY COLLEGE - COTTER UNION EXP.
LOCATION: WATERVERILLE, MAINE

Glazier's Resource Inc.
"New & Smart Glazing Design and Drapery"
250 NORTH STATE ST., SUITE 110
CONCORD, NH 03301-5322
PH 603.850.0186
WWW.GLAZIERSRESOURCE.COM

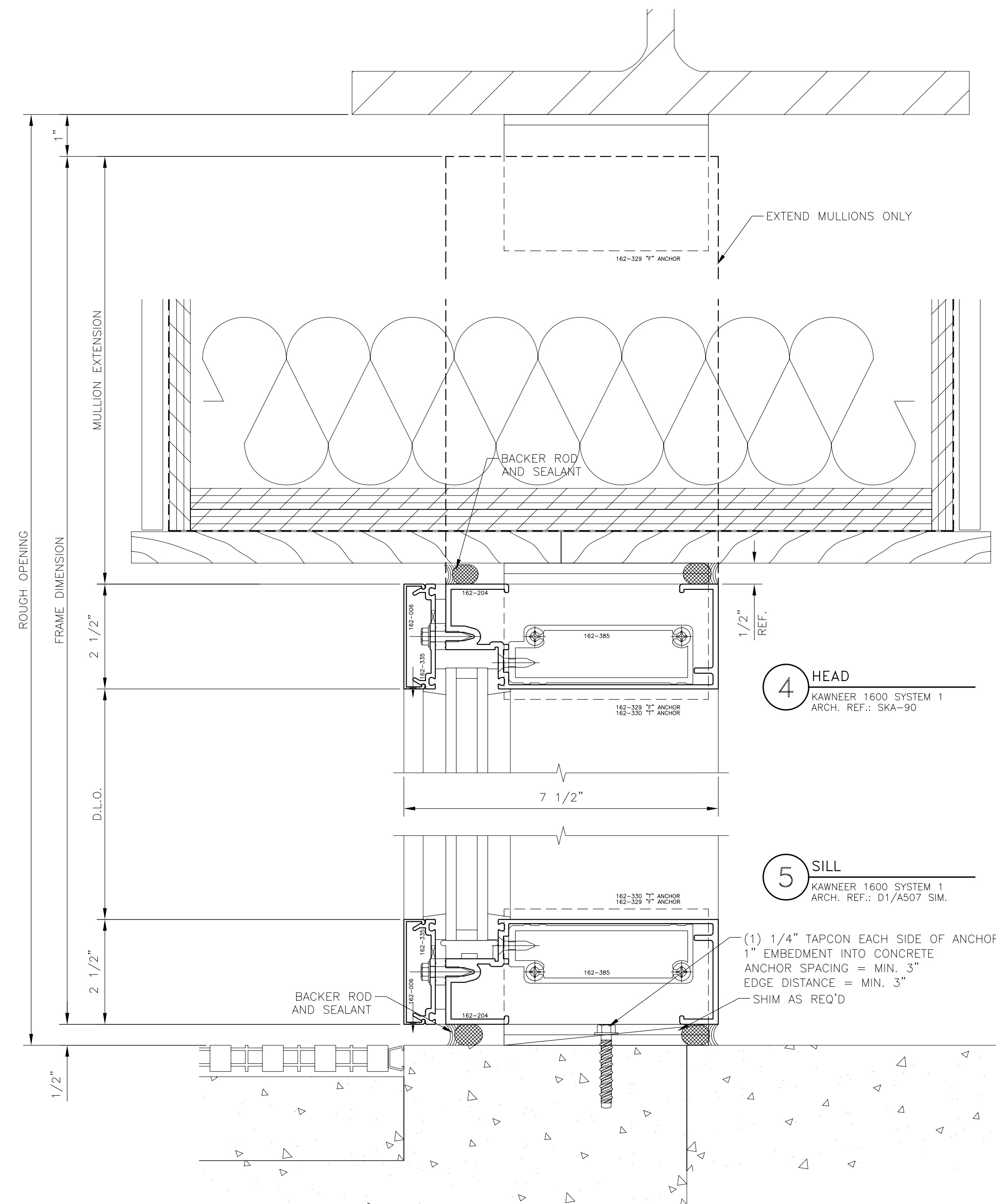
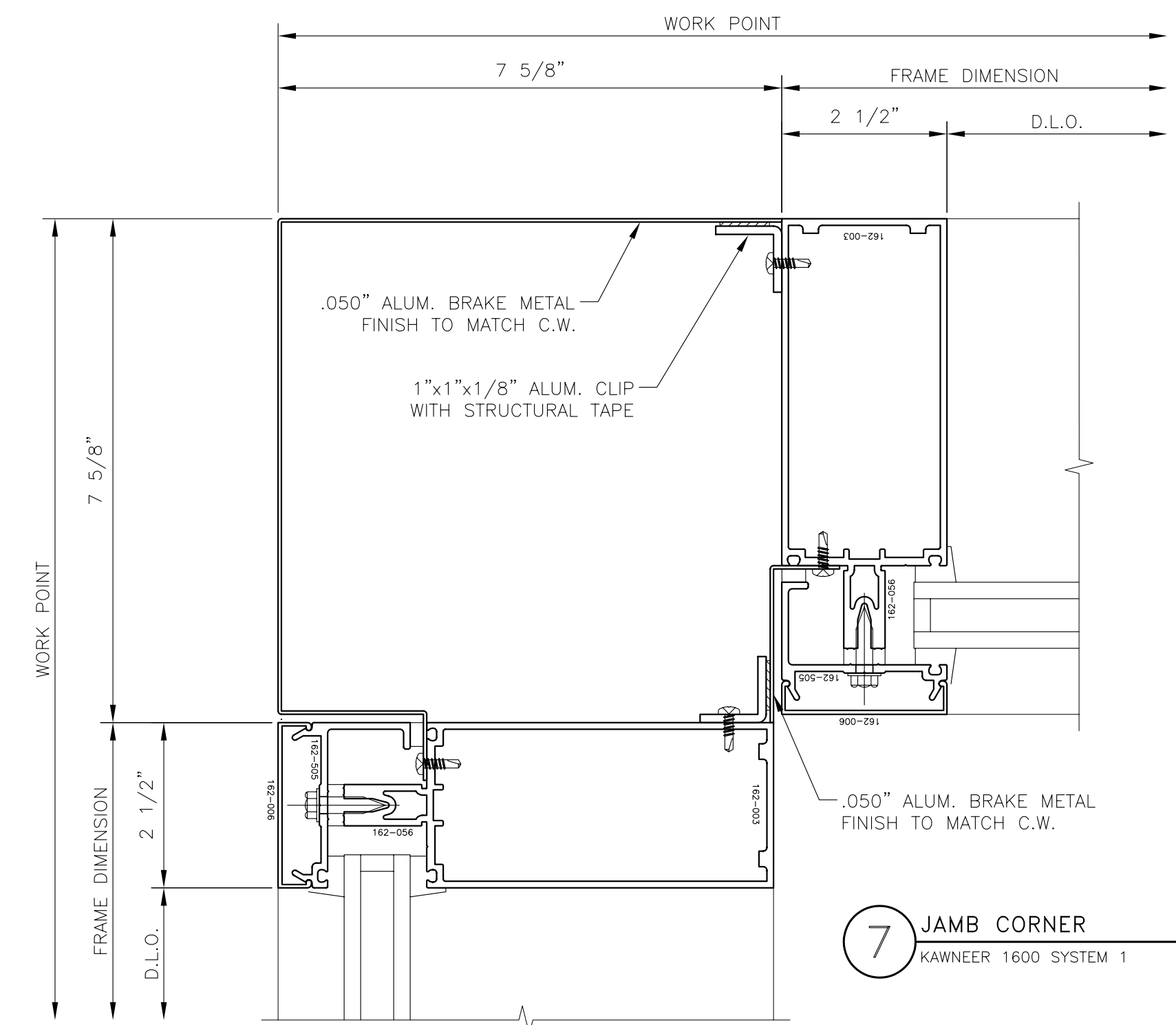
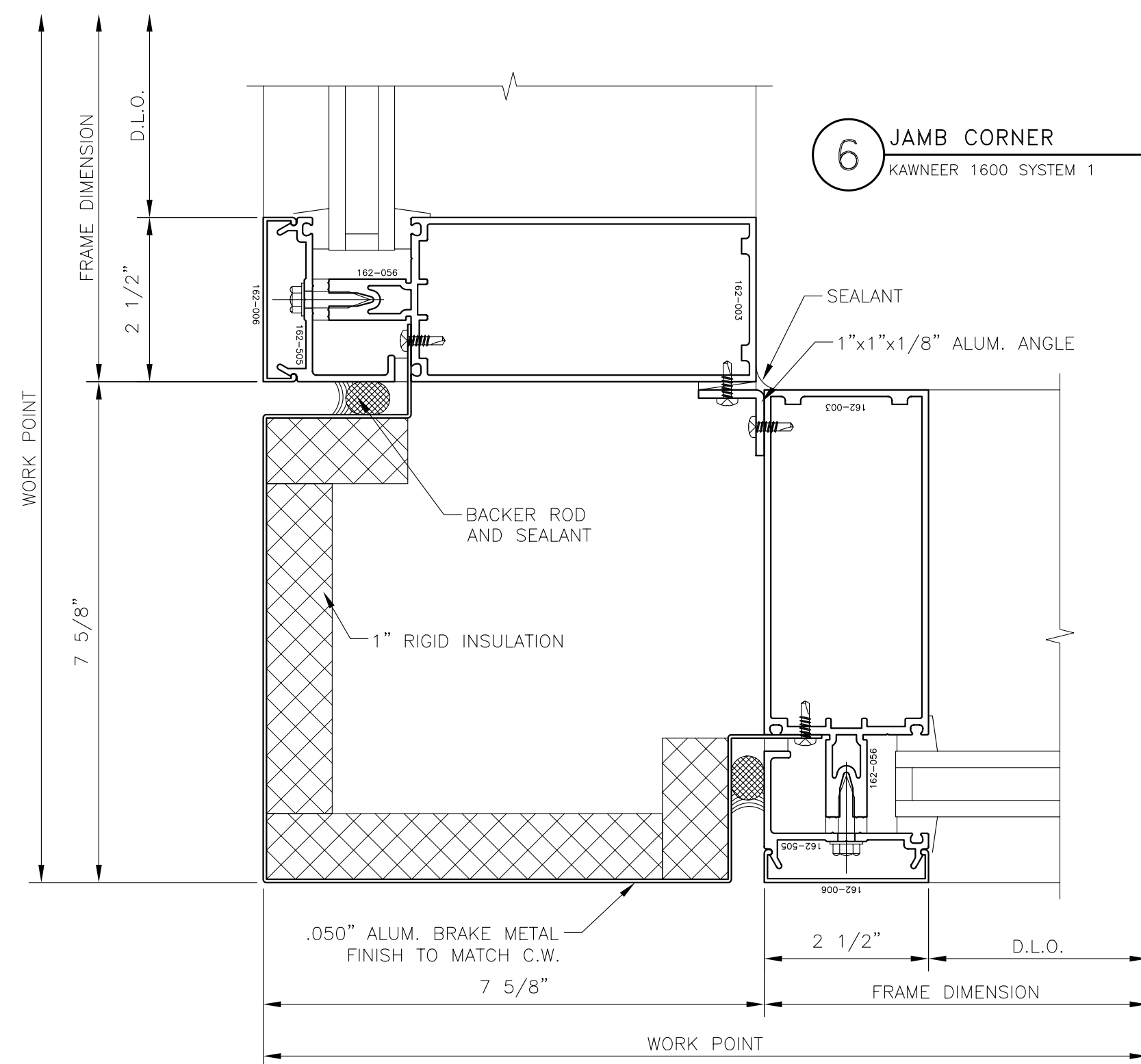
SCALE: **HALF**
DATE: **1/4/07**
PROJECT: **GR06-0144**
SHEET:

SD5



8 NOT USED

9 NOT USED



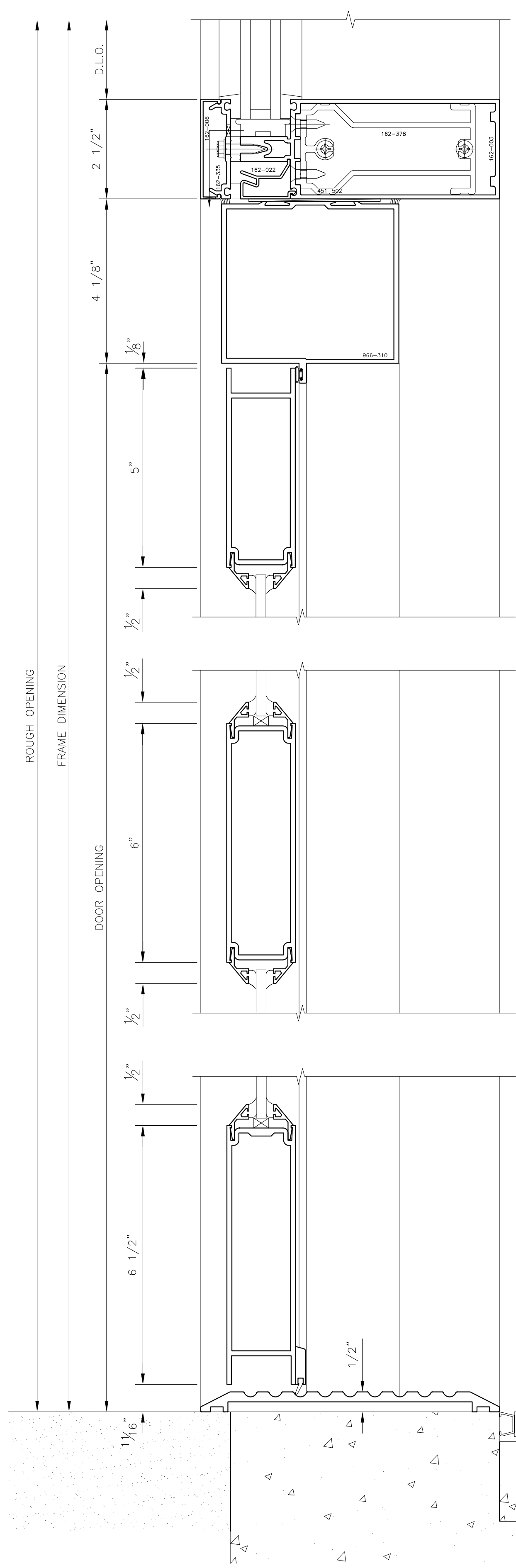
GLAZING CONTRACTOR:

ARCHITECT:
Bohlin Cywinski Jackson
Architecture Planning Interior Design
170
Philadelphia, PA 19105
215.750.5900

CURTAIN WALL DETAILS
PROJECT: COLBY COLLEGE - COTTER UNION EXP.
LOCATION: WATERVILLE, MAINE

Glazier's Resource Inc.
New & Skilled Fabricators and Dryfitters
215 NORTH STATE ST. SUITE 115
CONCORD, NH 03301-3322
TEL: 603.860.0198
www.glaziersresource.com

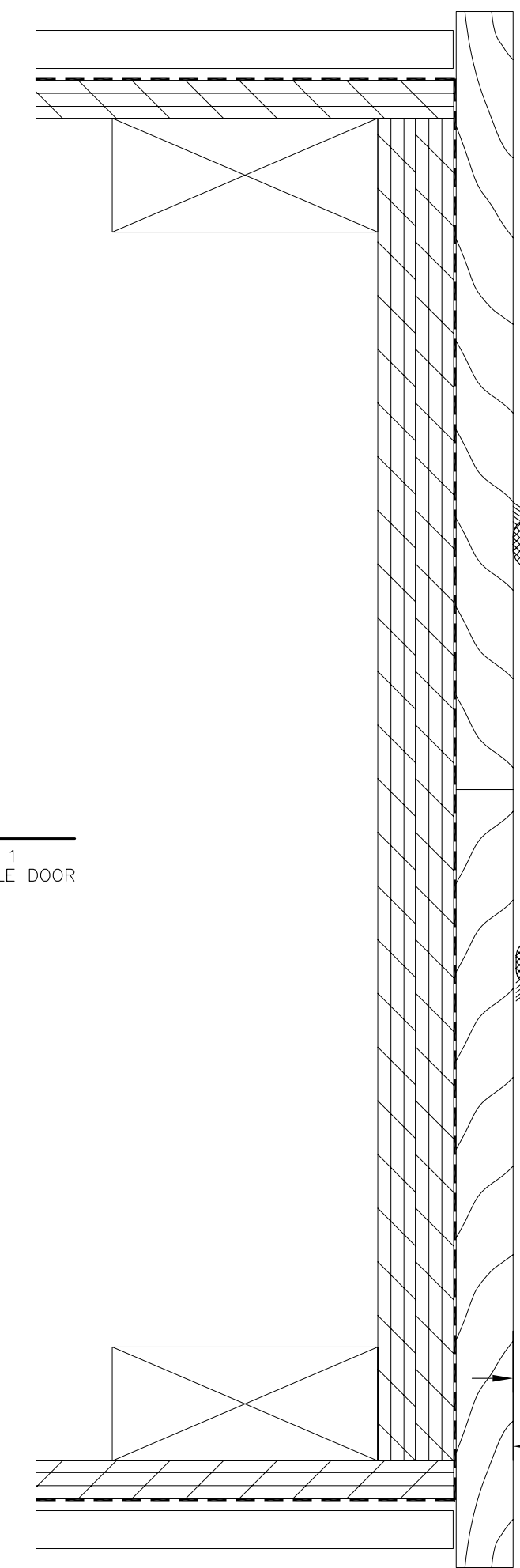
SCALE: HALF
DATE: 11/1/06
PROJECT: GR06-0144
SHEET: **CD1**



10 DOOR HEAD
KAWNEER 1600 SYSTEM 1
KAWNEER 500 WIDE STILE DOOR

11 DOOR MID RAIL
KAWNEER 500 WIDE STILE DOOR

12 DOOR BOTTOM RAIL
KAWNEER 500 WIDE STILE DOOR

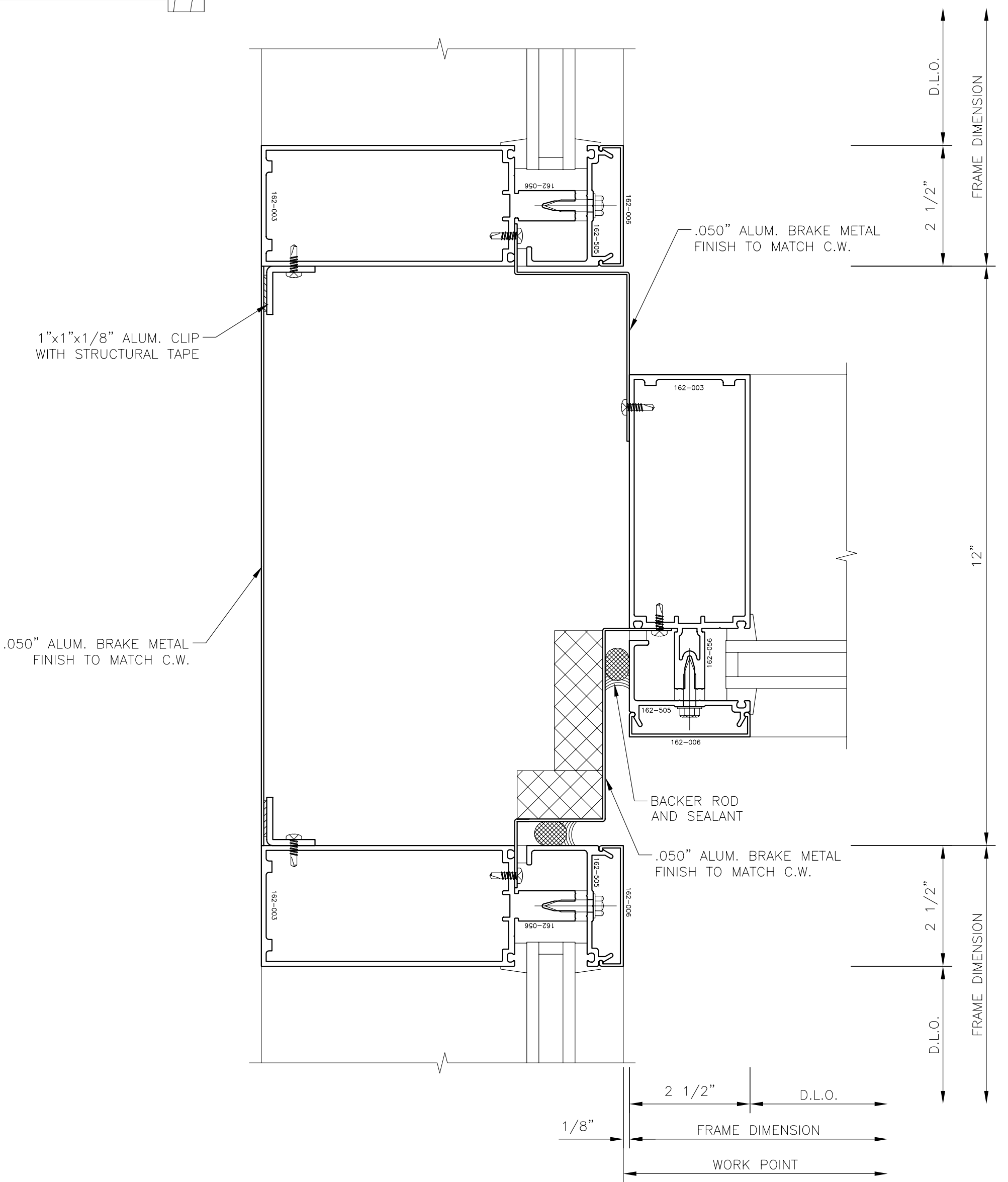
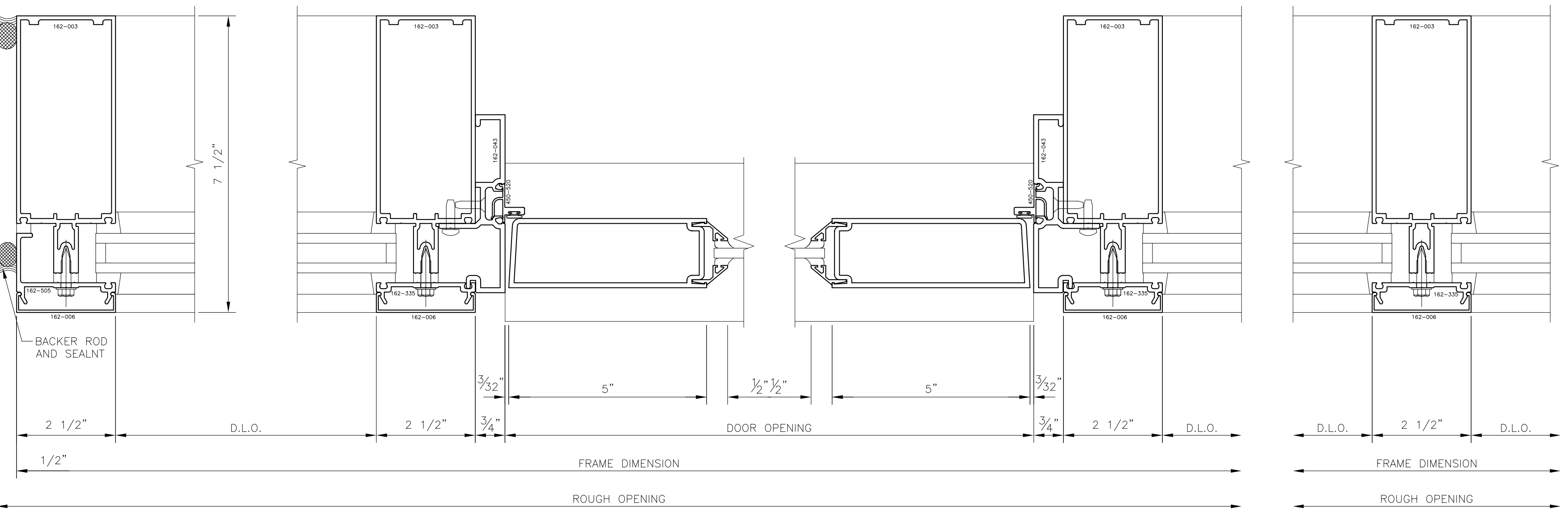


13 JAMB
KAWNEER 1600 SYSTEM 1
ARCH. REF.: B1/AS07

14 DOOR JAMB
KAWNEER 1600 SYSTEM 1
KAWNEER 500 WIDE STILE DOOR

15 DOOR JAMB
KAWNEER 1600 SYSTEM 1
KAWNEER 500 WIDE STILE DOOR

16 VERTICAL
KAWNEER 1600 SYSTEM 1



17 JAMB INTERSECTION
KAWNEER 1600 SYSTEM 1

18 NOT USED

19 NOT USED

REVISION	DATE	BY	APP'D

GLAZING CONTRACTOR:

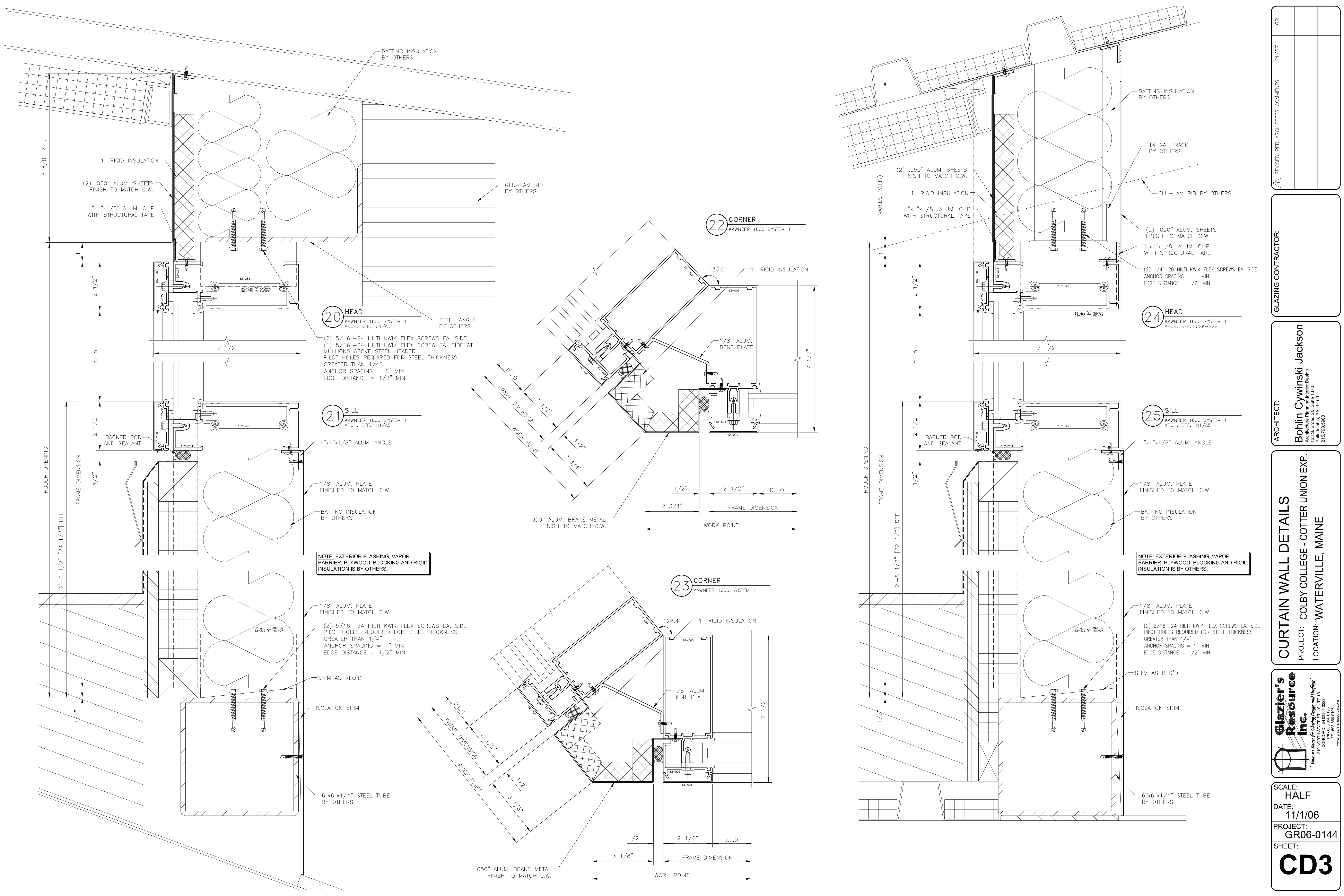
ARCHITECT:
Bohlin Cywinski Jackson
Architecture Planning Interior Design
1000 Walnut St., Suite 1100
Philadelphia, PA 19106
215.750.5900

CURTAIN WALL DETAILS
PROJECT: COLBY COLLEGE - COTTER UNION EXP.
LOCATION: WATERVERILLE, MAINE

Glazier's Resource Inc.
"Your Source for Glazing Design and Drafting"
215 NORTH STATE ST., SUITE 110
CONCORD, NH 03301-3322
PH: 603.860.0186
WWW.GLAZIERSRESOURCE.COM

SCALE: HALF
DATE: 11/1/06
PROJECT: GR06-0144
SHEET:

CD2



20 HEAD
 KAWNEER 1600 SYSTEM 1
 ARCH. REF.: C1/AS11

(2) 5/16" - 24 HILTI KWIK FLEX SCREWS EA. SIDE
 (1) 5/16" - 24 HILTI KWIK FLEX SCREW EA. SIDE AT MULLIONS ABOVE STEEL HEADER. PILOT HOLES REQUIRED FOR STEEL THICKNESS GREATER THAN 1/4" ANCHOR SPACING = 1" MIN. EDGE DISTANCE = 1/2" MIN.

21 SILL
 KAWNEER 1600 SYSTEM 1
 ARCH. REF.: H1/AS11

1"x1"x1/8" ALUM. ANGLE
 1/8" ALUM. PLATE FINISHED TO MATCH C.W.
 BATTING INSULATION BY OTHERS

NOTE: EXTERIOR FLASHING, VAPOR BARRIER, PLYWOOD, BLOCKING AND RIGID INSULATION IS BY OTHERS.

1/8" ALUM. PLATE FINISHED TO MATCH C.W.
 (2) 5/16" - 24 HILTI KWIK FLEX SCREWS EA. SIDE PILOT HOLES REQUIRED FOR STEEL THICKNESS GREATER THAN 1/4" ANCHOR SPACING = 1" MIN. EDGE DISTANCE = 1/2" MIN.
 SHIM AS REQ'D
 ISOLATION SHIM
 6"x6"x1/4" STEEL TUBE BY OTHERS

22 CORNER
 KAWNEER 1600 SYSTEM 1

23 CORNER
 KAWNEER 1600 SYSTEM 1

24 HEAD
 KAWNEER 1600 SYSTEM 1
 ARCH. REF.: CSK-S22

25 SILL
 KAWNEER 1600 SYSTEM 1
 ARCH. REF.: H1/AS11

NOTE: EXTERIOR FLASHING, VAPOR BARRIER, PLYWOOD, BLOCKING AND RIGID INSULATION IS BY OTHERS.

1/8" ALUM. PLATE FINISHED TO MATCH C.W.
 (2) 5/16" - 24 HILTI KWIK FLEX SCREWS EA. SIDE PILOT HOLES REQUIRED FOR STEEL THICKNESS GREATER THAN 1/4" ANCHOR SPACING = 1" MIN. EDGE DISTANCE = 1/2" MIN.
 SHIM AS REQ'D
 ISOLATION SHIM
 6"x6"x1/4" STEEL TUBE BY OTHERS

REVISION	DATE	BY	DESCRIPTION
1	1/4/07	GRI	

GLAZING CONTRACTOR:

ARCHITECT:
Bohlin Cywinski Jackson
 Architecture Planning Interior Design
 1000 Locust Street, Suite 1100
 Philadelphia, PA 19105
 215.750.5800

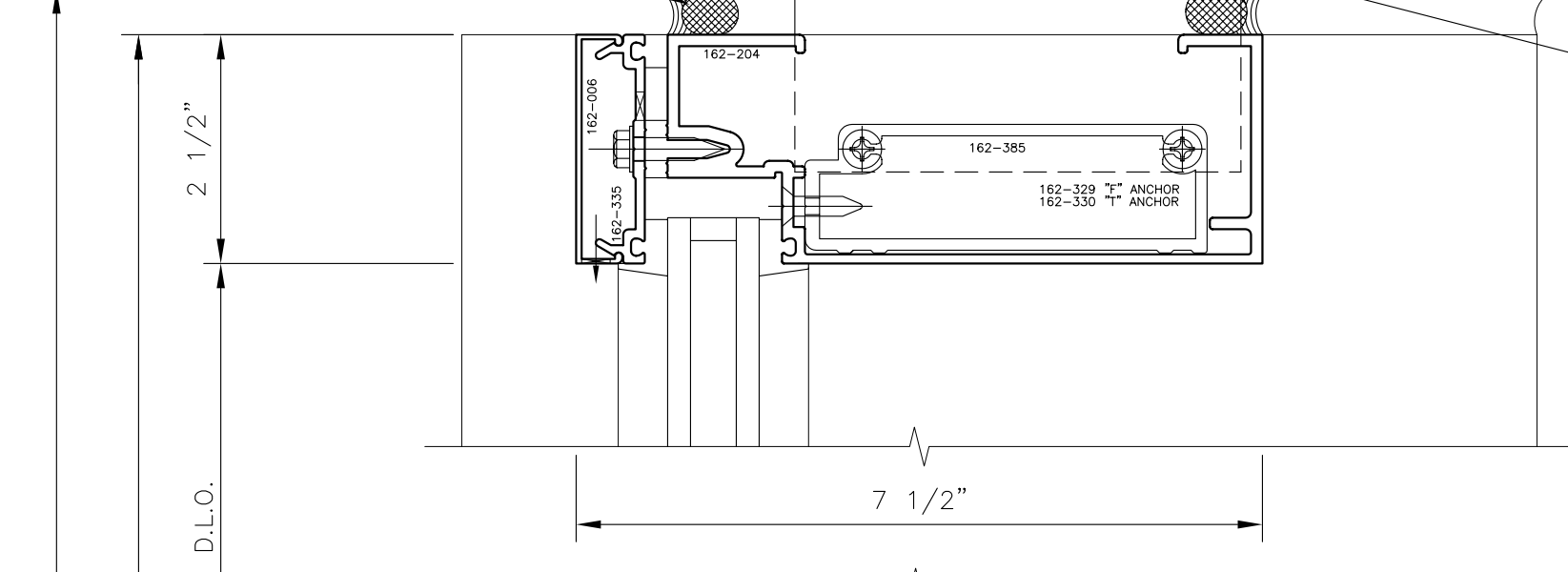
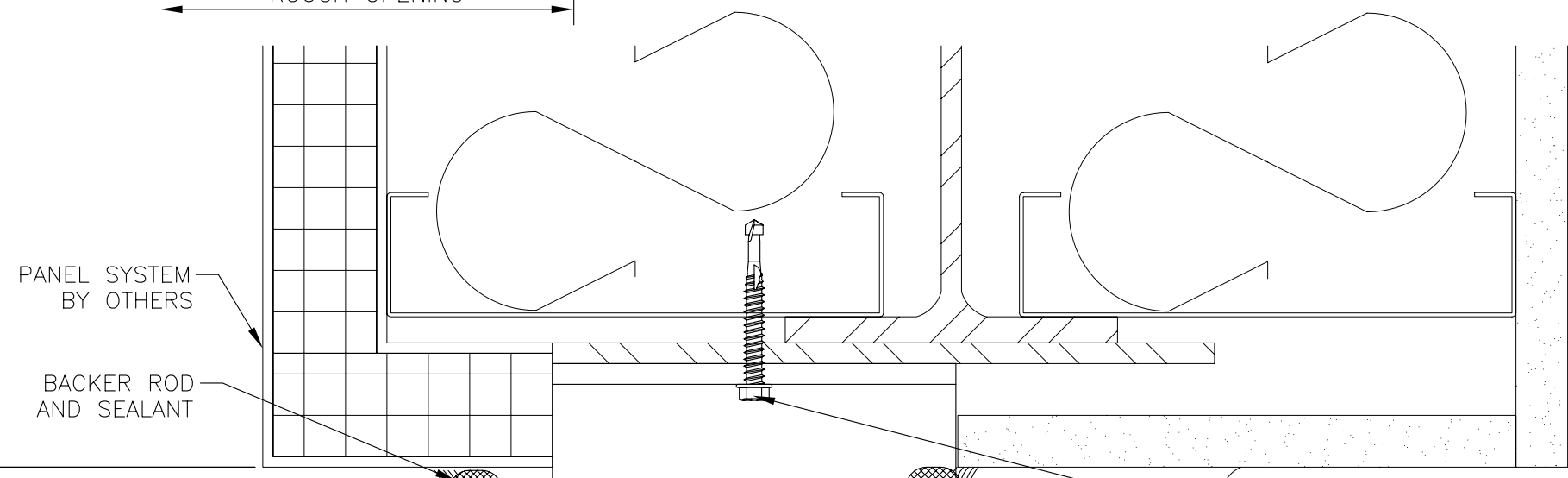
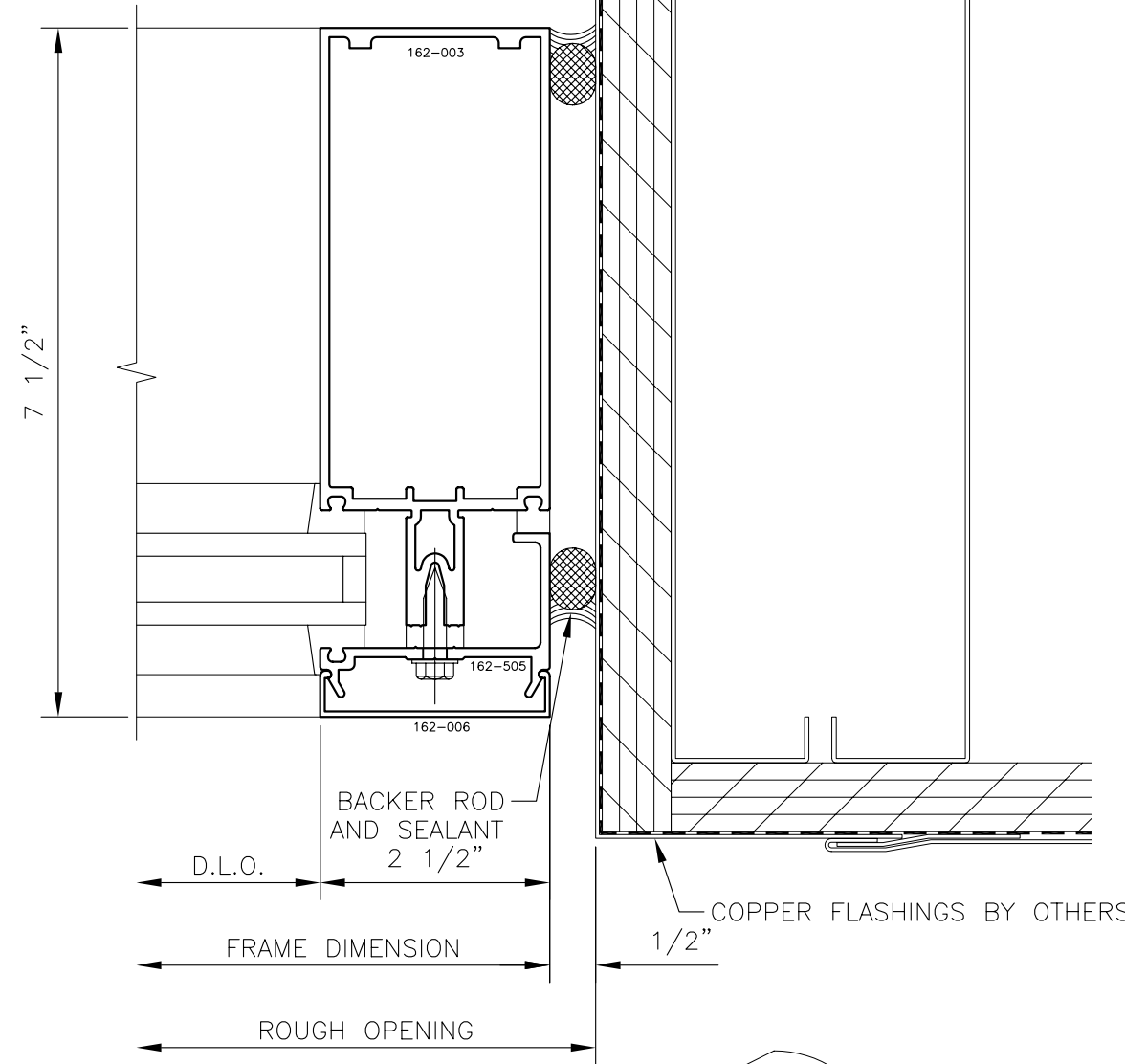
CURTAIN WALL DETAILS
 PROJECT: COLBY COLLEGE - COTTER UNION EXP.
 LOCATION: WATERVERILLE, MAINE

Glazier's Resource Inc.
 "New & Repair Glazing, Design and Drafting"
 218 NORTH STATE ST., SUITE 10
 CONCORD, NH 03301-5322
 PH. 603.860.0186
 WWW.GLAZIERSRESOURCE.COM

SCALE: HALF
 DATE: 11/1/06
 PROJECT: GR06-0144
 SHEET:

CD3

26 JAMB
KAWNEER 1600 SYSTEM 1
ARCH. REF.: H3/A512

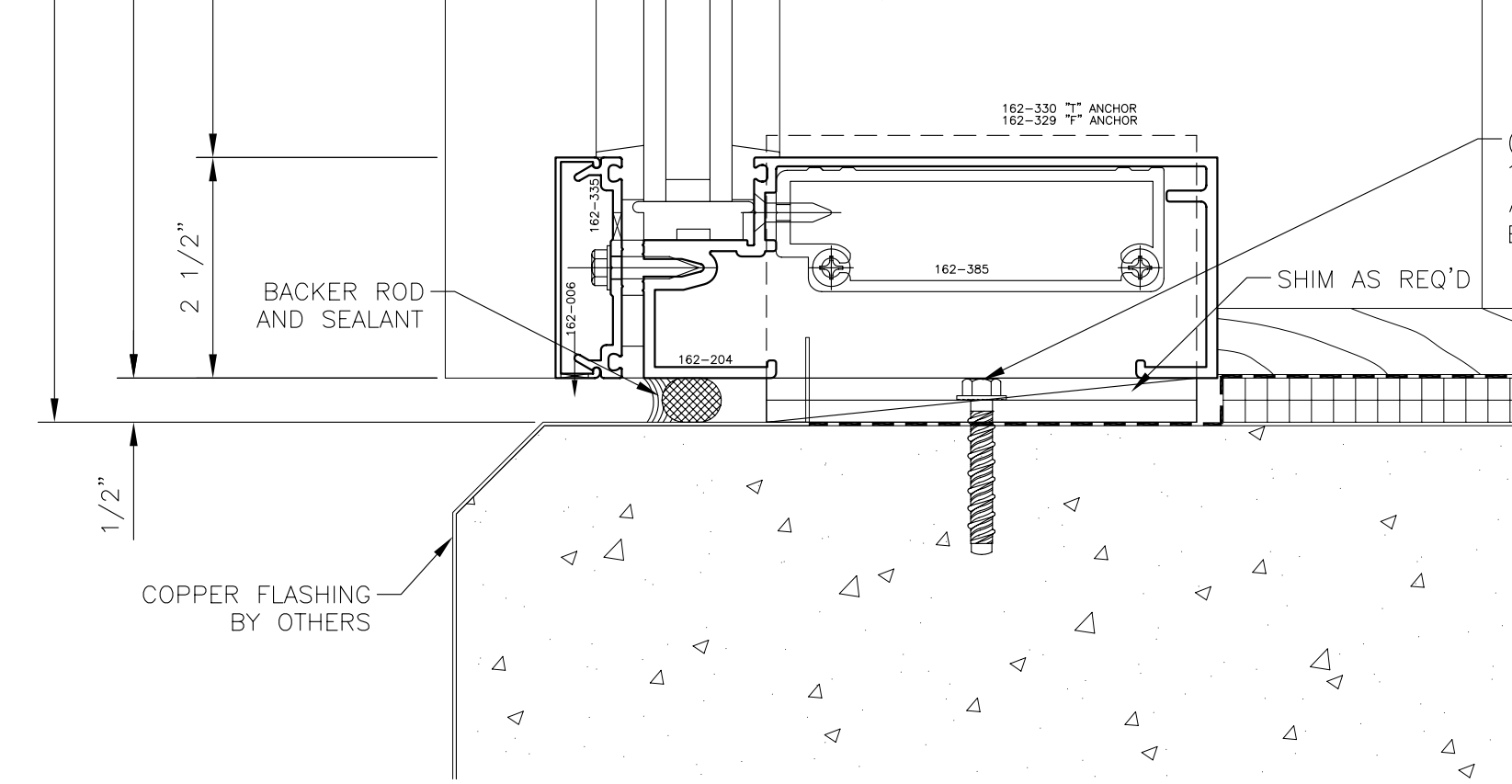
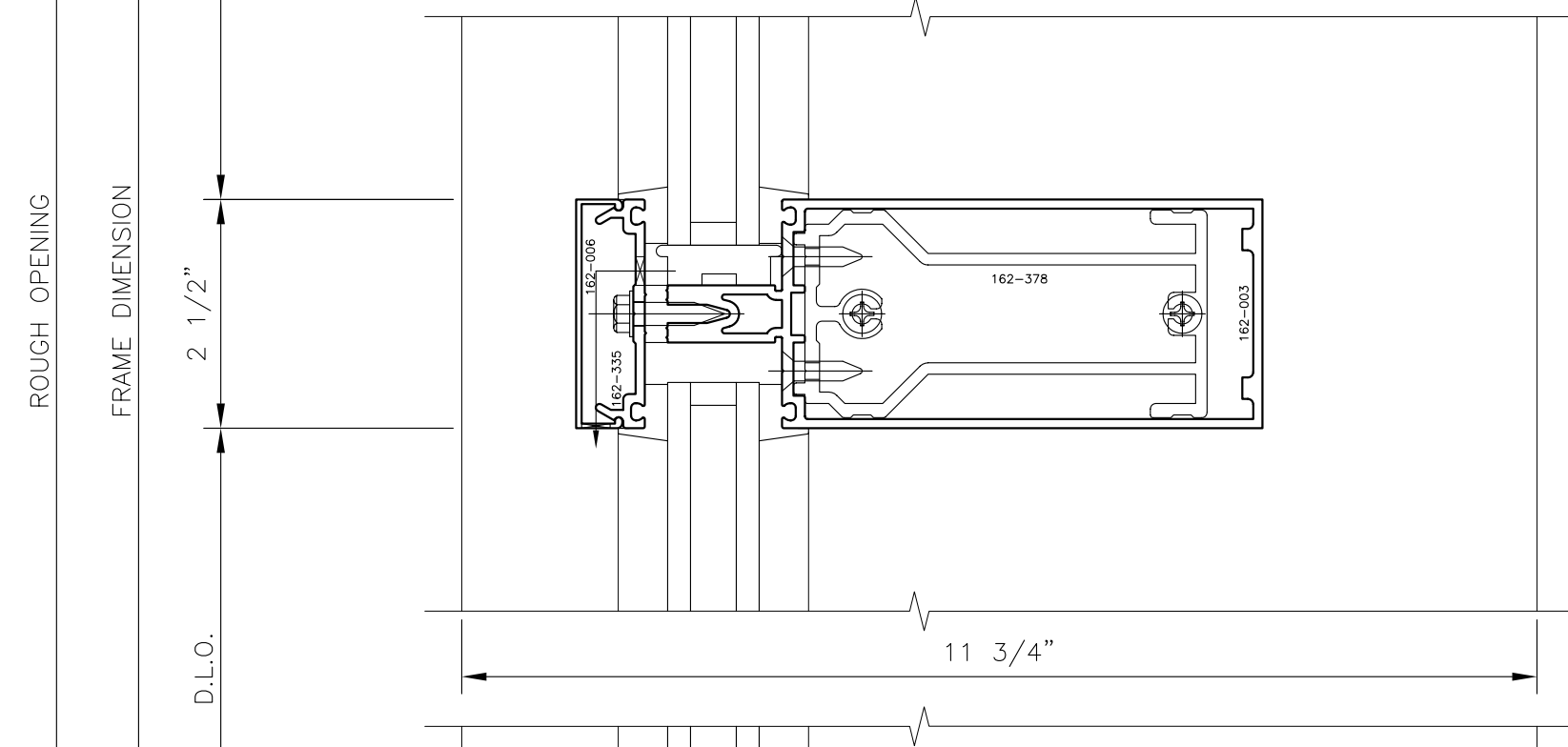


27 HEAD
KAWNEER 1600 SYSTEM 1
ARCH. REF.: D7/A505, G7/A512

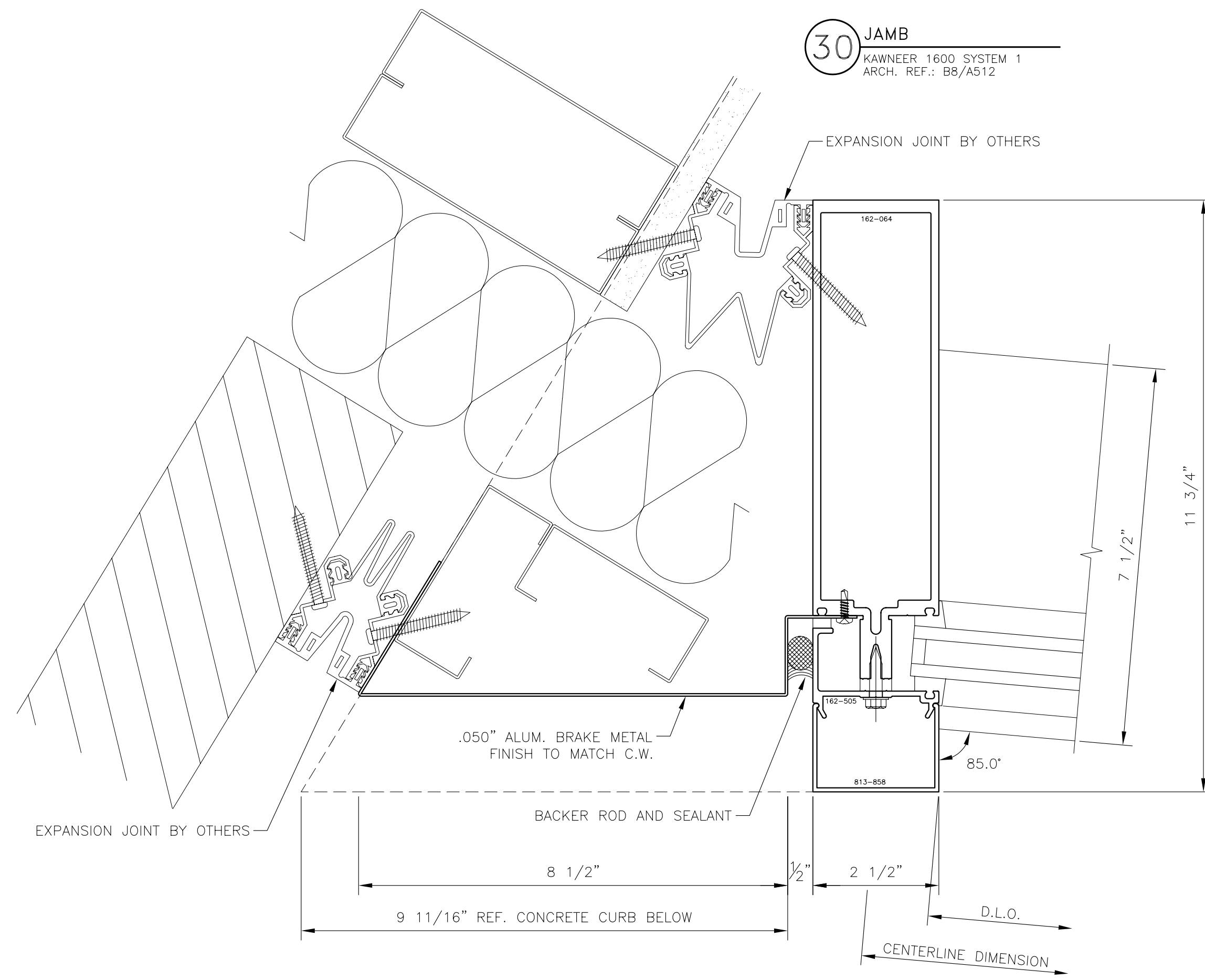
28 HORIZONTAL
KAWNEER 1600 SYSTEM 1

29 SILL
KAWNEER 1600 SYSTEM 1
ARCH. REF.: H7/A505

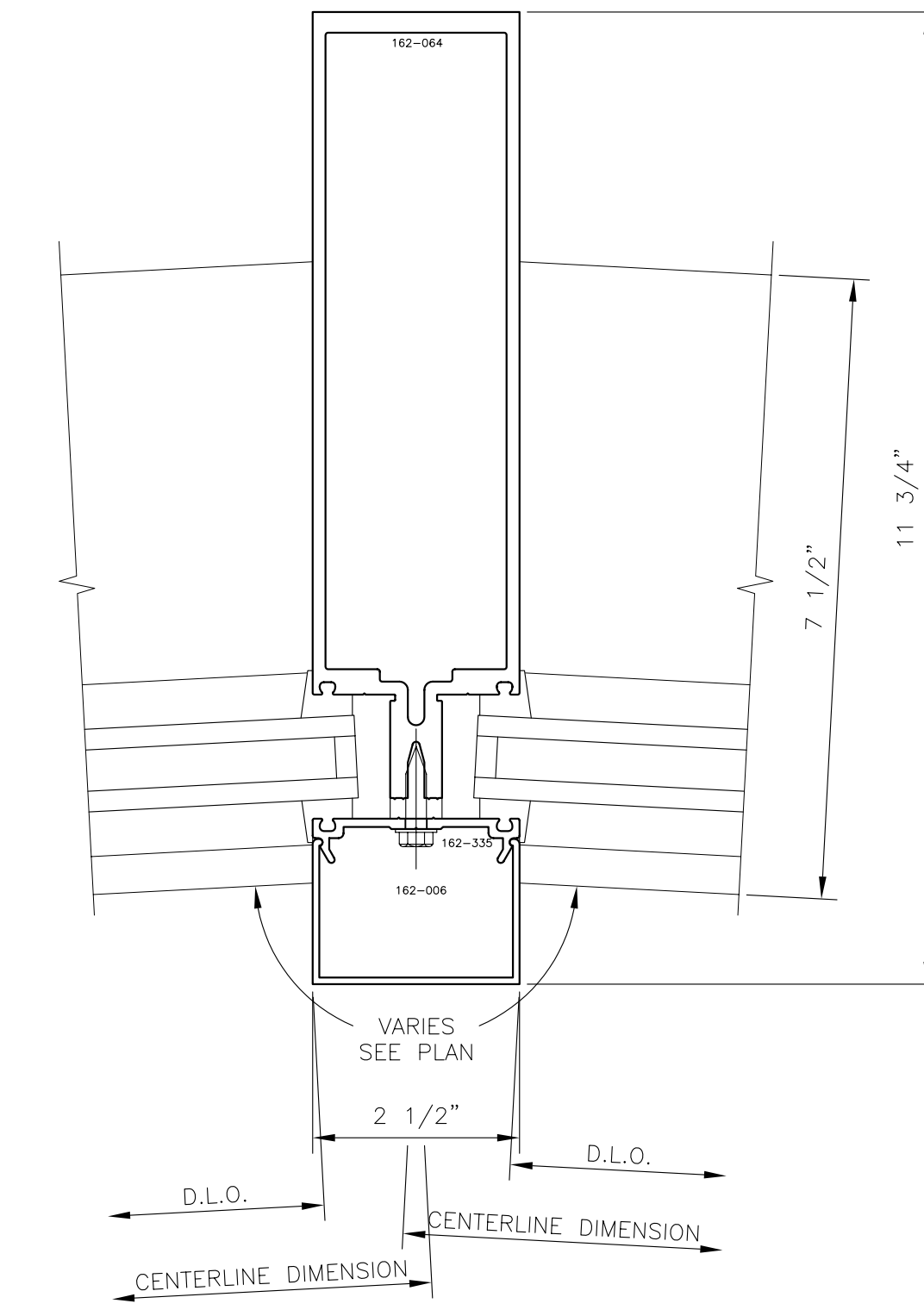
(1) 1/4" TAPCON EACH SIDE OF ANCHOR
1" EMBEDMENT INTO CONCRETE
ANCHOR SPACING = MIN. 3"
EDGE DISTANCE = MIN. 3"



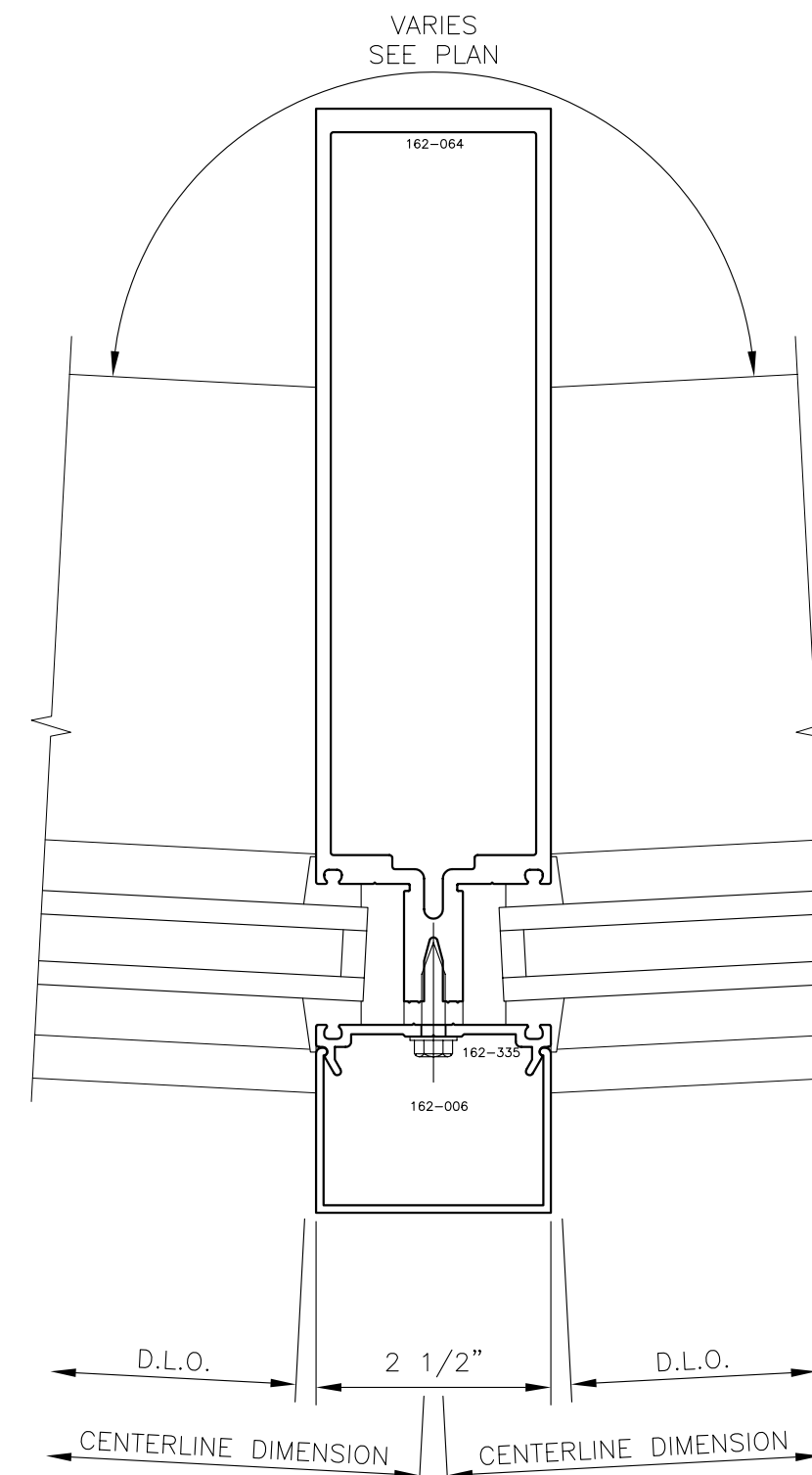
30 JAMB
KAWNEER 1600 SYSTEM 1
ARCH. REF.: B8/A512



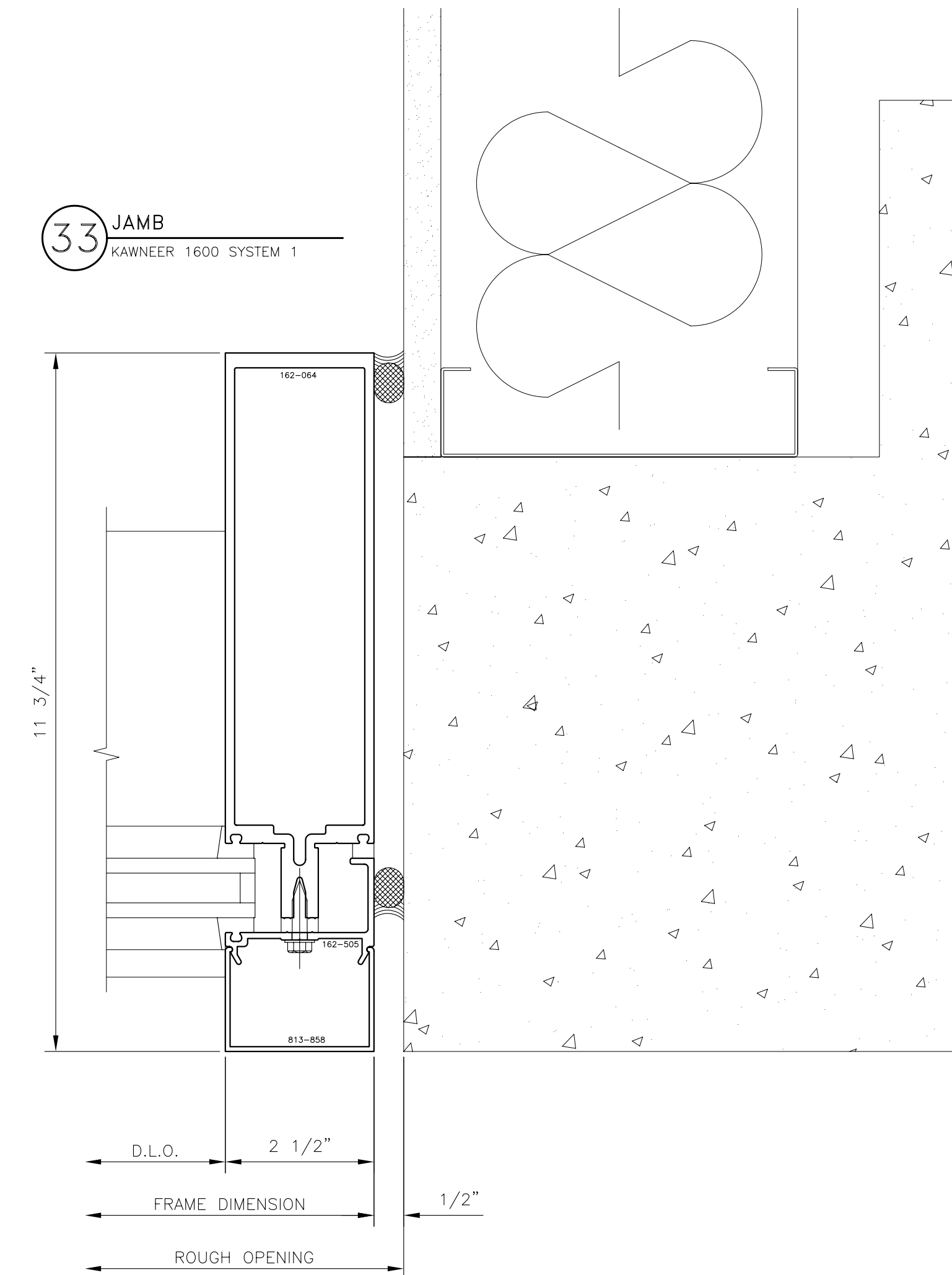
31 VERTICAL
KAWNEER 1600 SYSTEM 1



32 VERTICAL
KAWNEER 1600 SYSTEM 1



33 JAMB
KAWNEER 1600 SYSTEM 1



REVISION	DATE	BY	DESCRIPTION
1	1/4/07		

GLAZING CONTRACTOR:

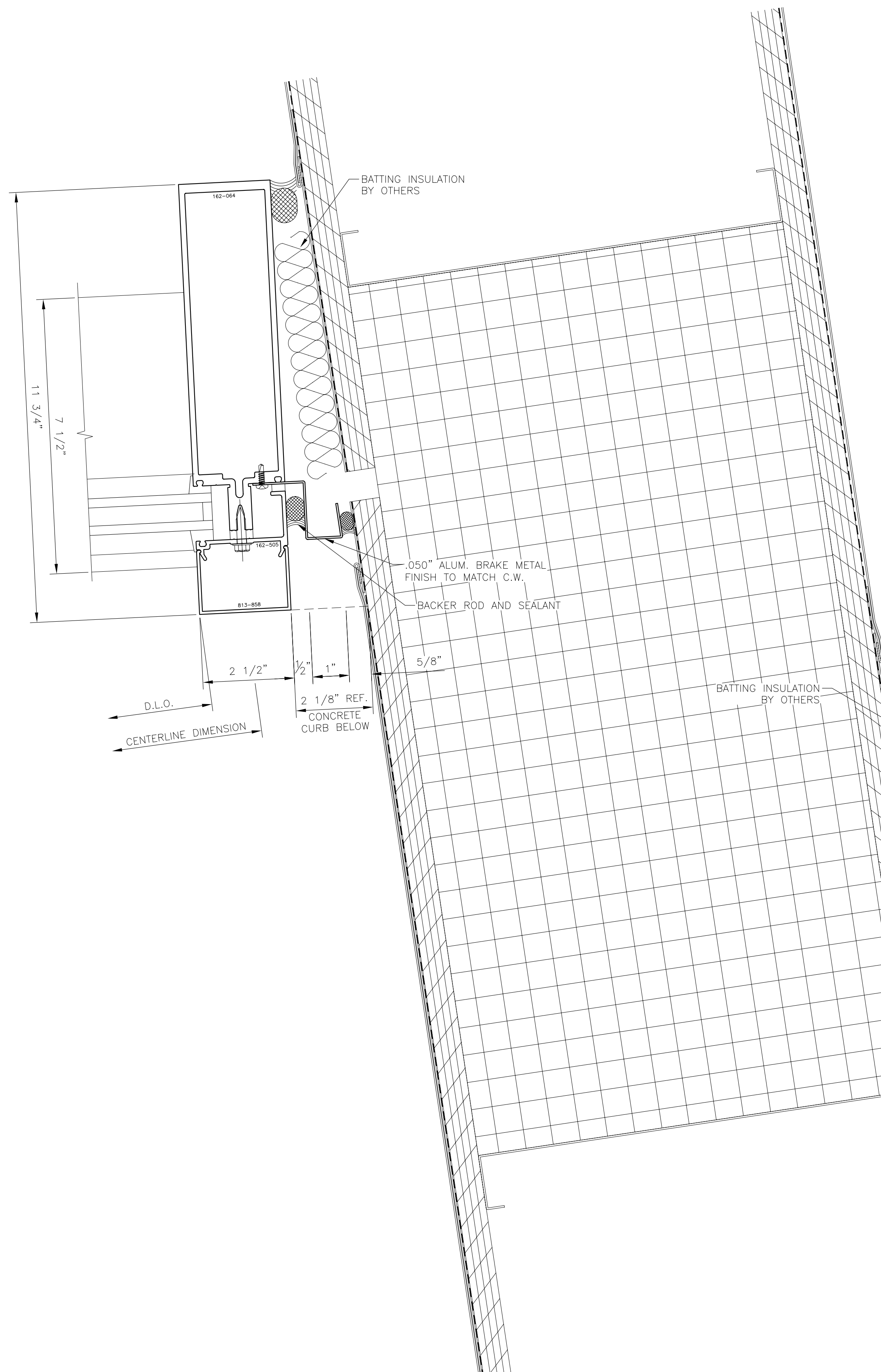
ARCHITECT:
Bohlin Cywinski Jackson
Architecture Planning Interior Design
1000 Walnut Street, Suite 1100
Philadelphia, PA 19106
215.750.5900

CURTAIN WALL DETAILS
PROJECT: COLBY COLLEGE - COTTER UNION EXP.
LOCATION: WATERVILLE, MAINE

Glazier's Resource Inc.
New & Repair Glazing Design and Drapery
216 NORTH STATE ST. SUITE 118
CONCORD, NH 03301-3322
PH: 603.860.0186
WWW.GLAZIERSRESOURCE.COM

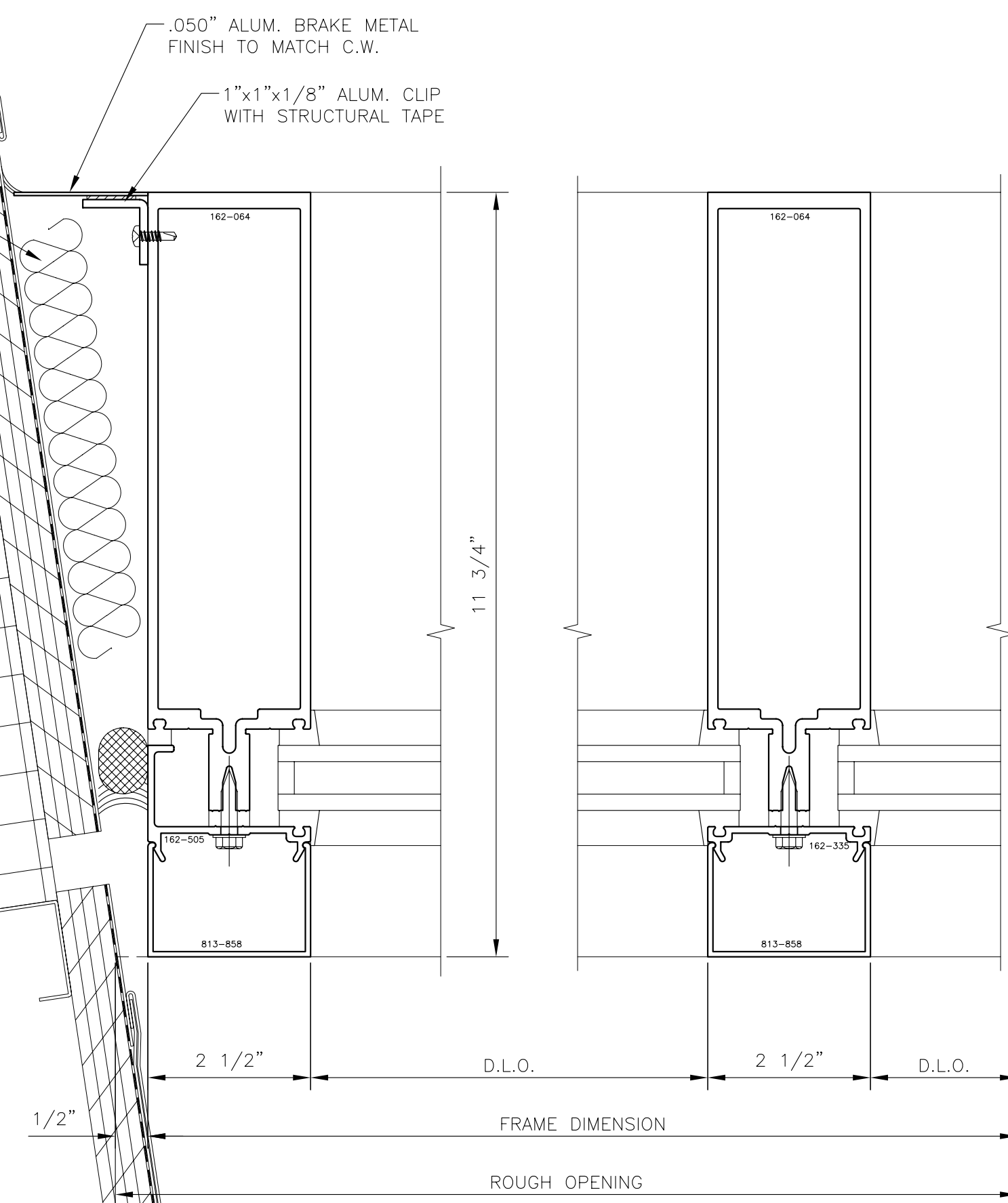
SCALE: HALF
DATE: 11/1/06
PROJECT: GR06-0144
SHEET:

CD4

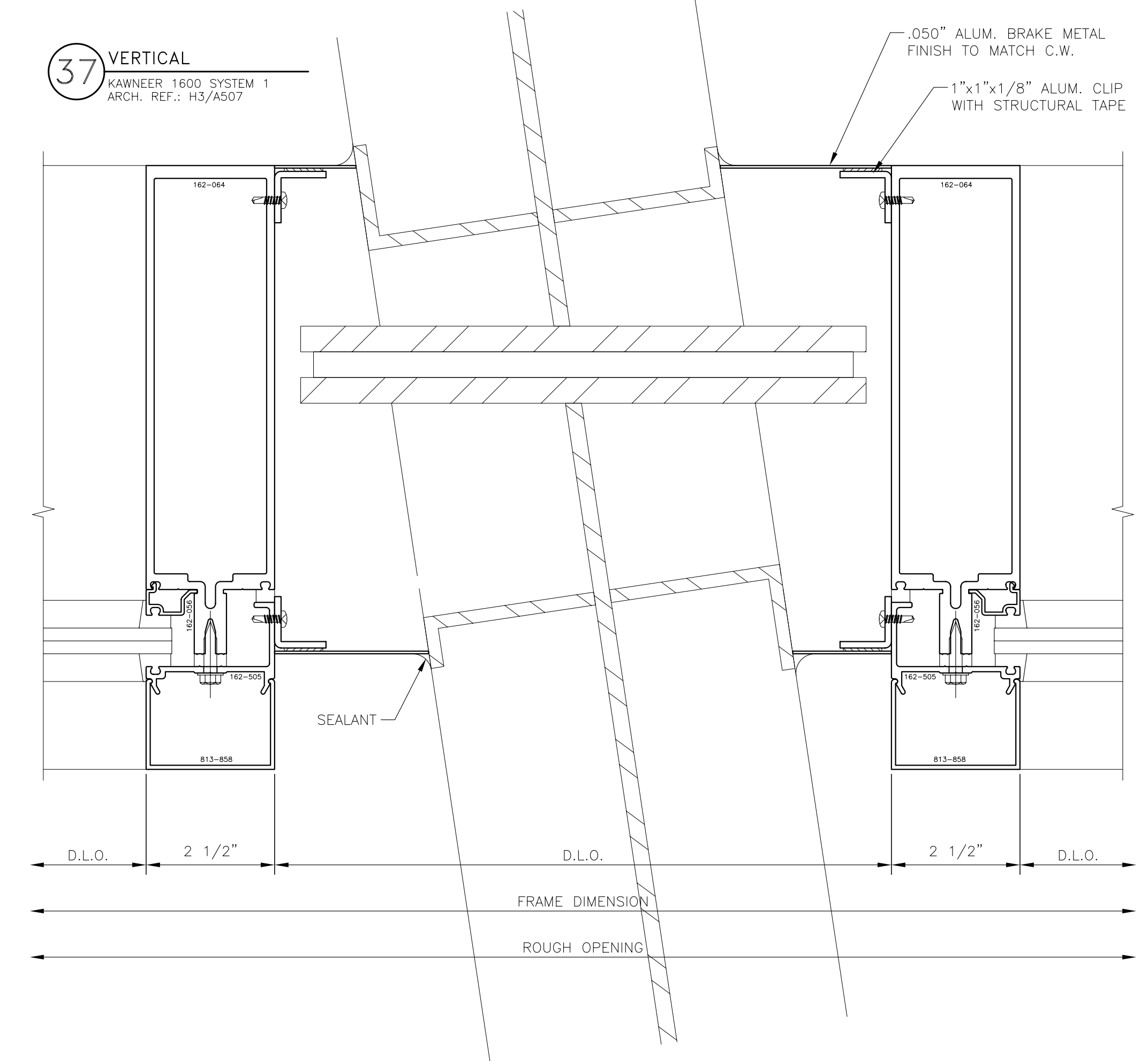


34 JAMB
KAWNEER 1600 SYSTEM 1
ARCH. REF.: E5/A505

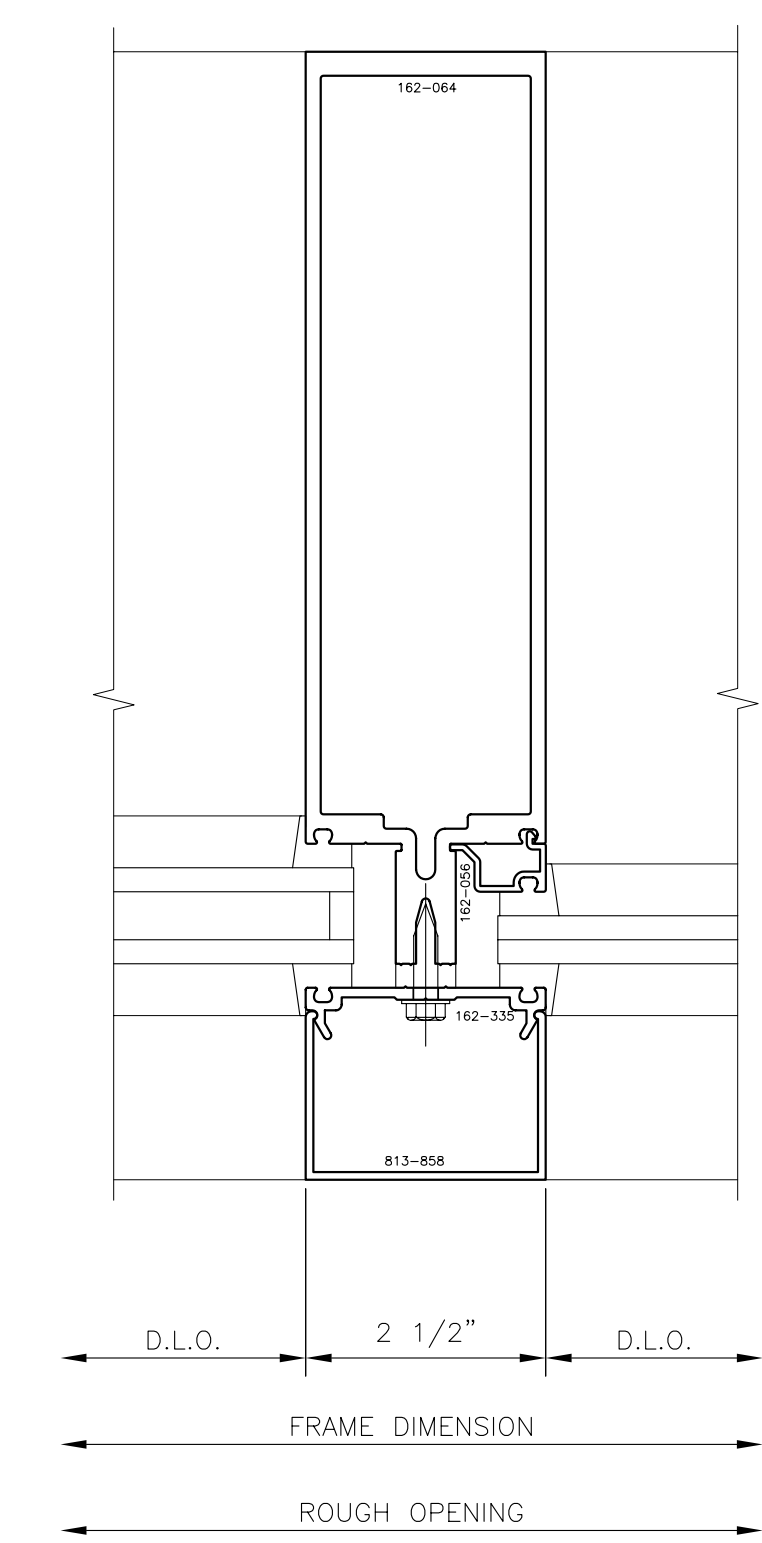
35 VERTICAL
KAWNEER 1600 SYSTEM 1
ARCH. REF.: E5/A505



37 VERTICAL
KAWNEER 1600 SYSTEM 1
ARCH. REF.: H3/A507



36 VERTICAL
KAWNEER 1600 SYSTEM 1
ARCH. REF.: E5/A505



REVISED PER ARCHITECT'S COMMENTS	DATE	BY
	1/4/07	GR

GLAZING CONTRACTOR:

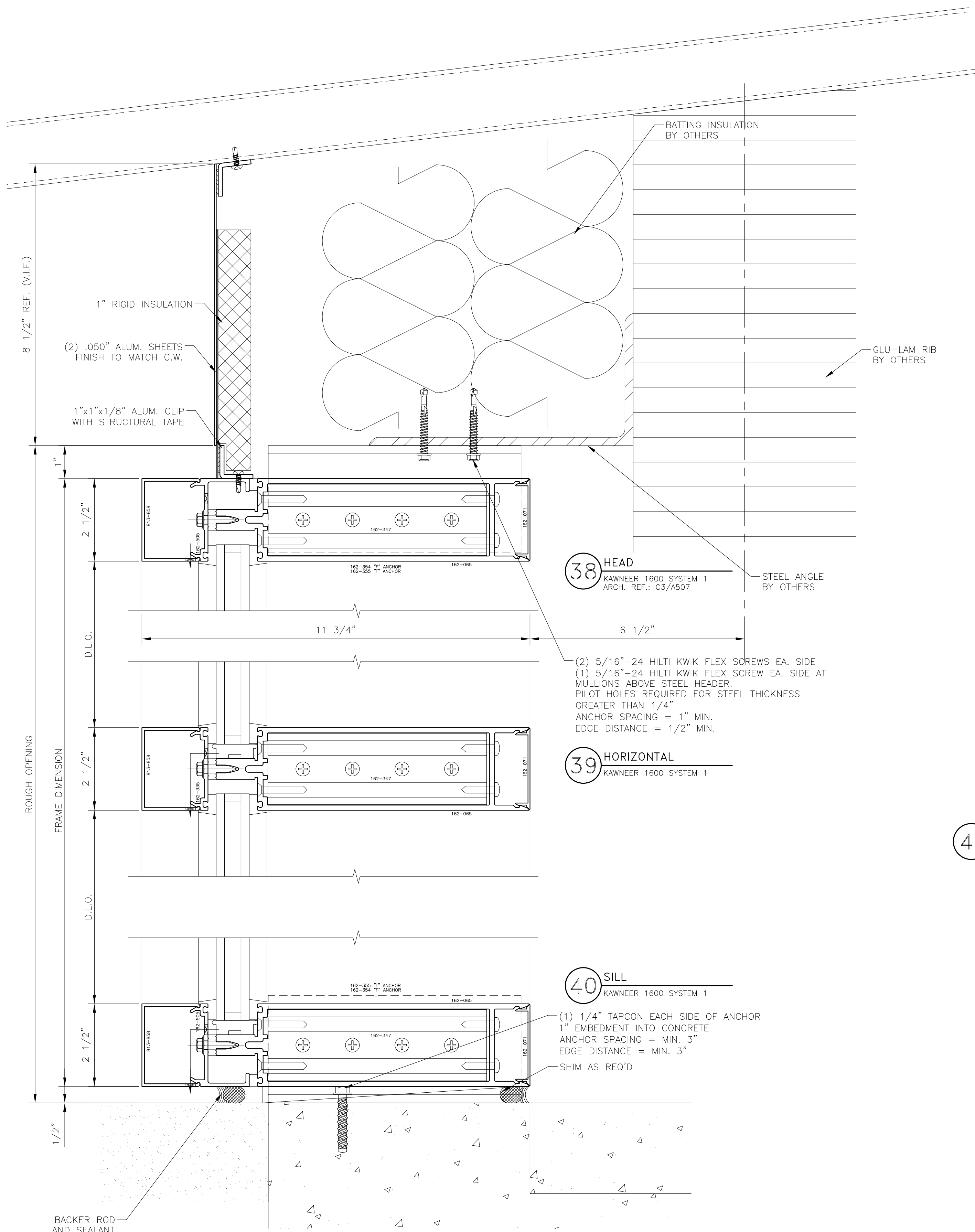
ARCHITECT:
Bohlin Cywinski Jackson
Architecture Planning Interior Design
1000 Locust St., Suite 1070
Philadelphia, PA 19105
215.750.5900

CURTAIN WALL DETAILS
PROJECT: COLBY COLLEGE - COTTER UNION EXP.
LOCATION: WATERVERILLE, MAINE

Glazier's Resource Inc.
"Your Source for Glazing Design and Drafting"
218 NORTH STATE ST., SUITE 105
CONCORD, NH 03301-5322
PH: 603.860.0188
WWW.GLAZIERSRESOURCE.COM

SCALE: HALF
DATE: 11/1/06
PROJECT: GR06-0144
SHEET:

CD5



38 HEAD
 KAWNEER 1600 SYSTEM 1
 ARCH. REF.: G3/A507

(2) 5/16"-24 HILTI KWIK FLEX SCREWS EA. SIDE
 (1) 5/16"-24 HILTI KWIK FLEX SCREW EA. SIDE AT
 MULLIONS ABOVE STEEL HEADER
 PILOT HOLES REQUIRED FOR STEEL THICKNESS
 GREATER THAN 1/4"
 ANCHOR SPACING = 1" MIN.
 EDGE DISTANCE = 1/2" MIN.

39 HORIZONTAL
 KAWNEER 1600 SYSTEM 1

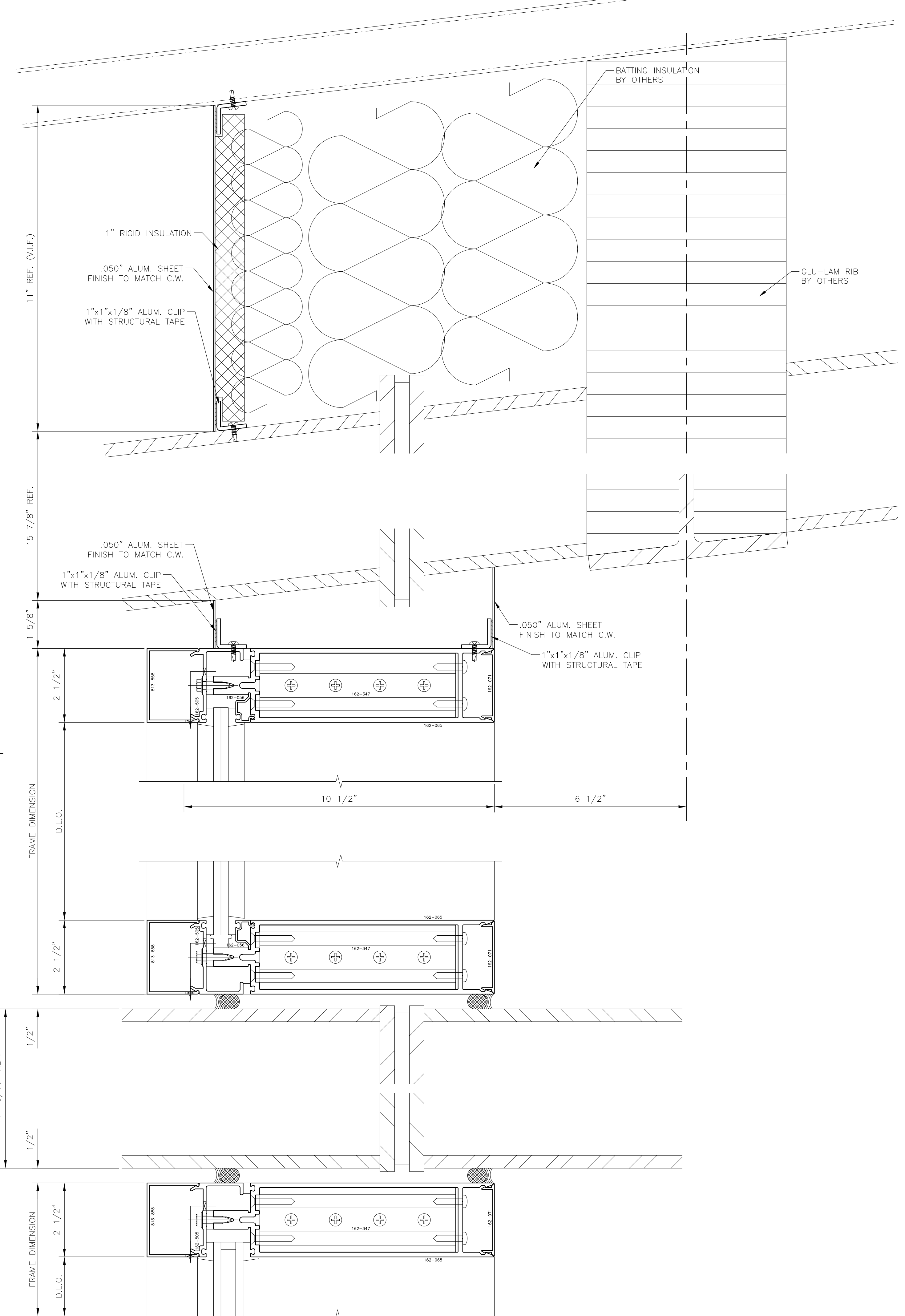
40 SILL
 KAWNEER 1600 SYSTEM 1

(1) 1/4" TAPCON EACH SIDE OF ANCHOR
 1" EMBEDMENT INTO CONCRETE
 ANCHOR SPACING = MIN. 3"
 EDGE DISTANCE = MIN. 3"
 SHIM AS REQ'D

41 CUT OUTS
 KAWNEER 1600 SYSTEM 1
 ARCH. REF.: G3/A507

● BOT. OF STEEL
 EL. 296'- 3 3/4"

● TOP OF STEEL
 EL. 294'- 10"



38 HEAD
 KAWNEER 1600 SYSTEM 1
 ARCH. REF.: G3/A507

(2) 5/16"-24 HILTI KWIK FLEX SCREWS EA. SIDE
 (1) 5/16"-24 HILTI KWIK FLEX SCREW EA. SIDE AT
 MULLIONS ABOVE STEEL HEADER
 PILOT HOLES REQUIRED FOR STEEL THICKNESS
 GREATER THAN 1/4"
 ANCHOR SPACING = 1" MIN.
 EDGE DISTANCE = 1/2" MIN.

39 HORIZONTAL
 KAWNEER 1600 SYSTEM 1

40 SILL
 KAWNEER 1600 SYSTEM 1

(1) 1/4" TAPCON EACH SIDE OF ANCHOR
 1" EMBEDMENT INTO CONCRETE
 ANCHOR SPACING = MIN. 3"
 EDGE DISTANCE = MIN. 3"
 SHIM AS REQ'D

41 CUT OUTS
 KAWNEER 1600 SYSTEM 1
 ARCH. REF.: G3/A507

● BOT. OF STEEL
 EL. 296'- 3 3/4"

● TOP OF STEEL
 EL. 294'- 10"

REVISER	PER ARCHITECT'S COMMENTS	1/4/07	GRI

GLAZING CONTRACTOR:

ARCHITECT:
Bohlin Cywinski Jackson
 Architecture Planning Interior Design
 1000 Locust Street, Suite 1100
 Philadelphia, PA 19105
 215.750.5900

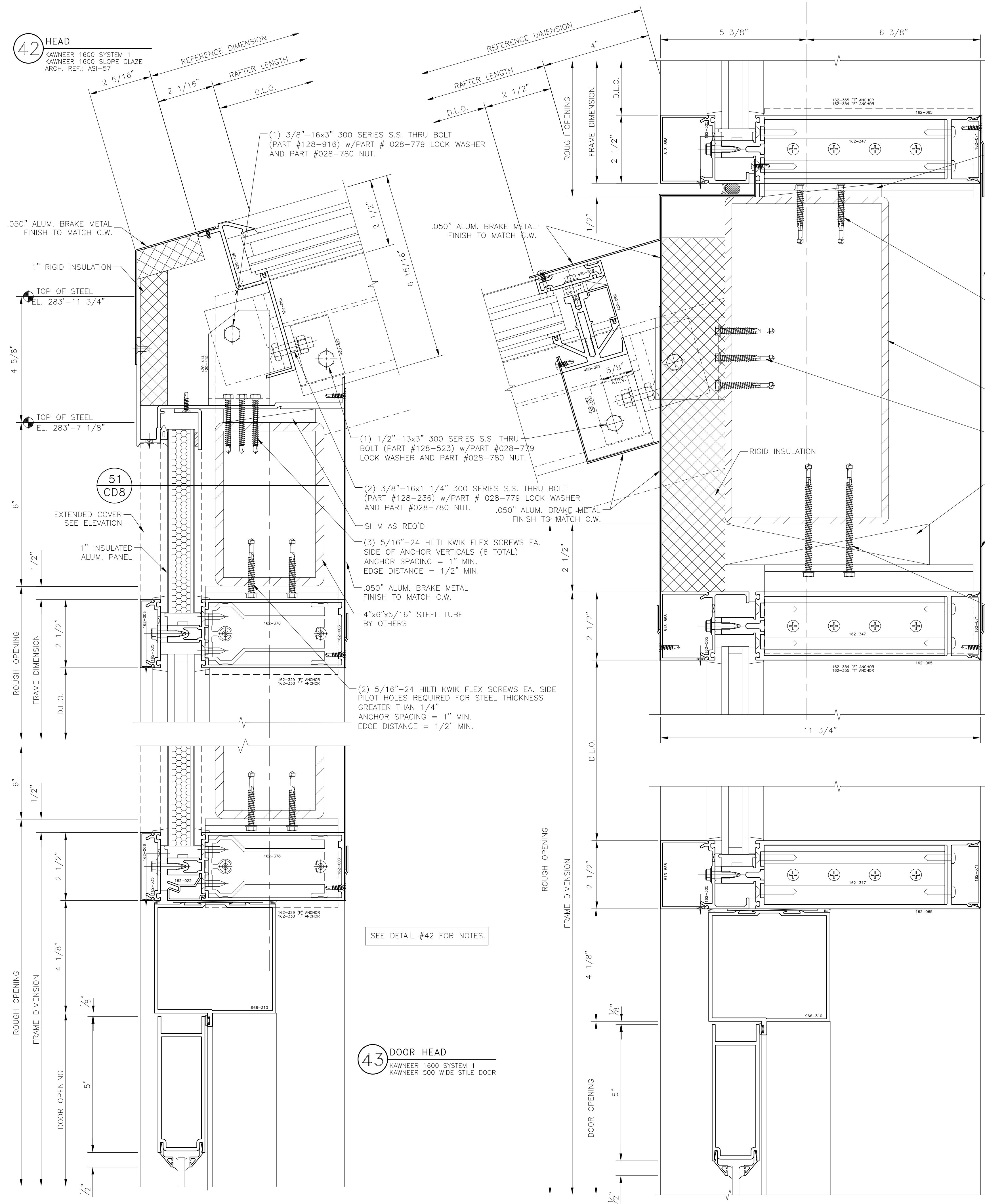
CURTAIN WALL DETAILS
 PROJECT: COLBY COLLEGE - COTTER UNION EXP.
 LOCATION: WATERVILLE, MAINE

Glazier's Resource Inc.
 New & Repair Glazing Design and Drapery
 218 NORTH STATE ST. SUITE 118
 CONCORD, NH 03301-3322
 PH. 603.860.0188
 WWW.GLAZIERSRESOURCE.COM

SCALE: HALF
 DATE: 11/1/06
 PROJECT: GR06-0144
 SHEET: **CD6**

42 HEAD

KAWNEER 1600 SYSTEM 1
KAWNEER 1600 SLOPE GLAZE
ARCH. REF.: ASI-57

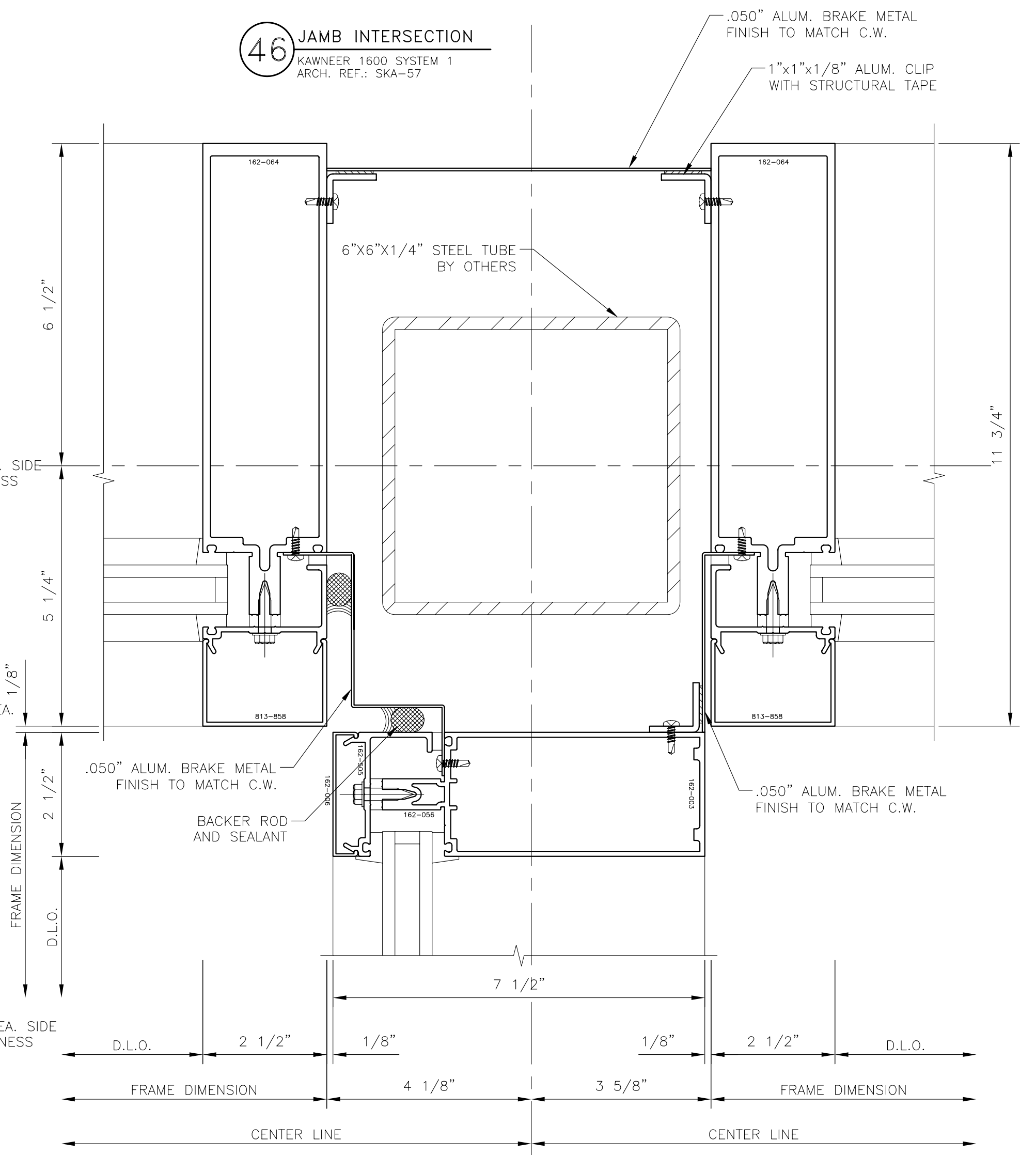


43 DOOR HEAD
KAWNEER 1600 SYSTEM 1
KAWNEER 500 WIDE STILE DOOR

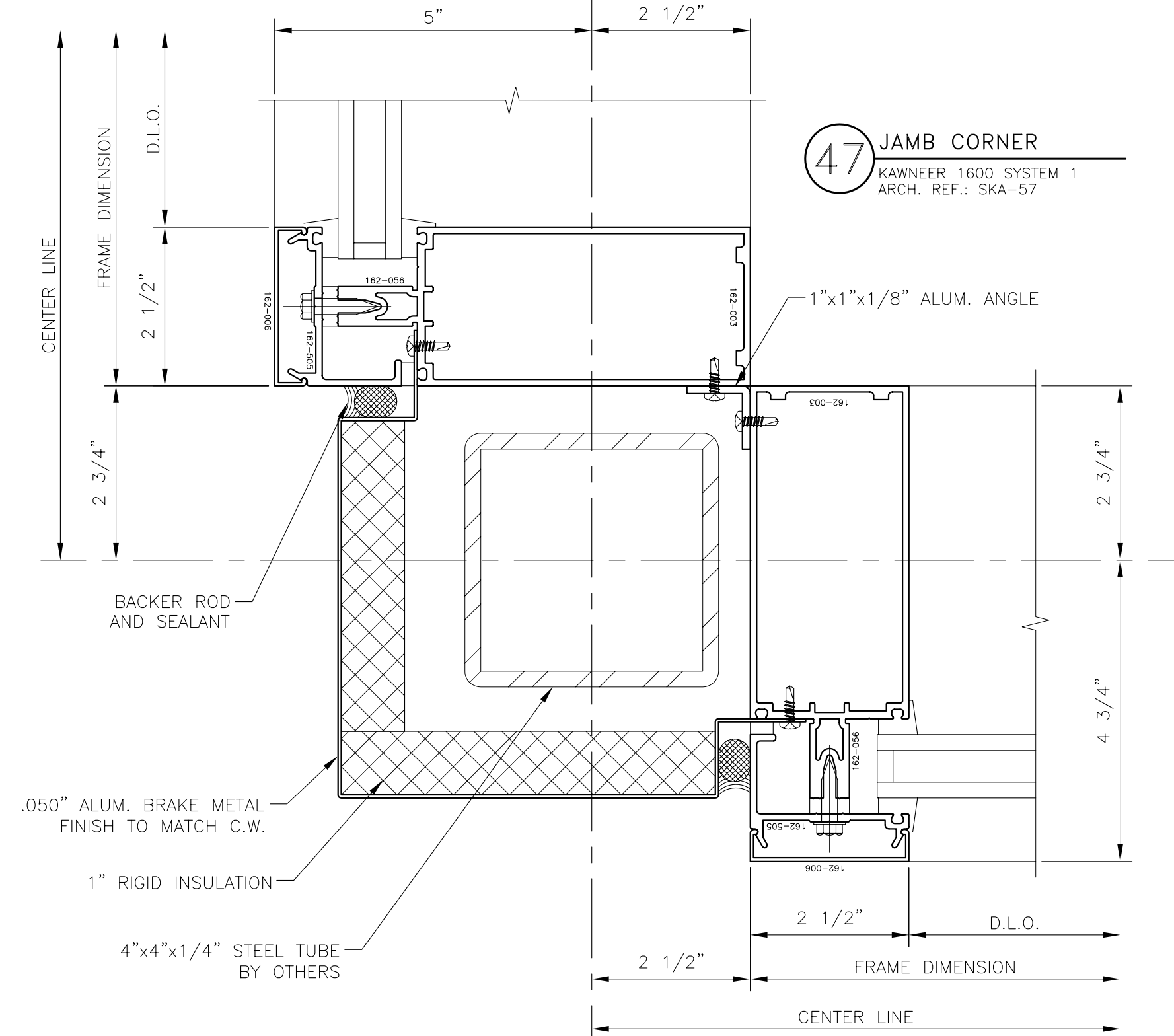
44 SILL/HEAD
KAWNEER 1600 SYSTEM 1
KAWNEER 1600 SLOPE GLAZE
ARCH. REF.: CS/AS07

45 DOOR HEAD
KAWNEER 1600 SYSTEM 1
KAWNEER 500 WIDE STILE DOOR

46 JAMB INTERSECTION
KAWNEER 1600 SYSTEM 1
ARCH. REF.: SKA-57



47 JAMB CORNER
KAWNEER 1600 SYSTEM 1
ARCH. REF.: SKA-57



SEE DETAIL #42 FOR NOTES.

Table with 3 columns: GRI, REVISED PER ARCHITECT'S COMMENTS, and DATE. Includes revision dates 1/4/07 and 1/30/07.

GLAZING CONTRACTOR:

ARCHITECT:
Bohlin Cywinski Jackson
Architecture Planning Interior Design
215 North 3rd Street, Suite 110
Philadelphia, PA 19106
215.750.5900

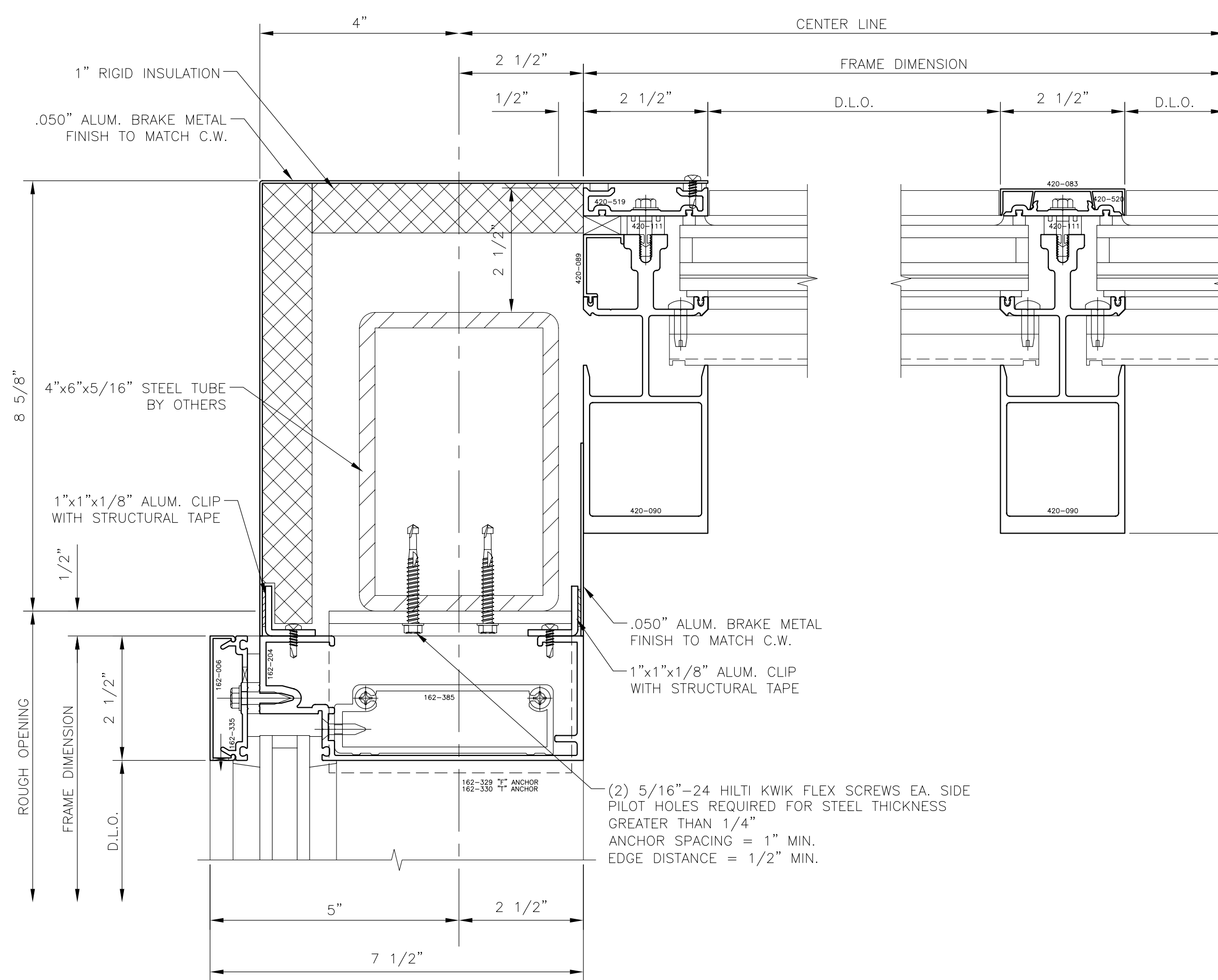
CURTAIN WALL DETAILS
PROJECT: COLBY COLLEGE - COTTER UNION EXP.
LOCATION: WATERVILLE, MAINE

Glazier's Resource Inc.
New & Repair For Glazing Design and Drapery
215 NORTH STATE ST., SUITE 110
CONCORD, NH 03301-3322
PH: 603.860.0198
WWW.GLAZIERSRESOURCE.COM

SCALE: HALF
DATE: 11/1/06
PROJECT: GR06-0144
SHEET: CD7

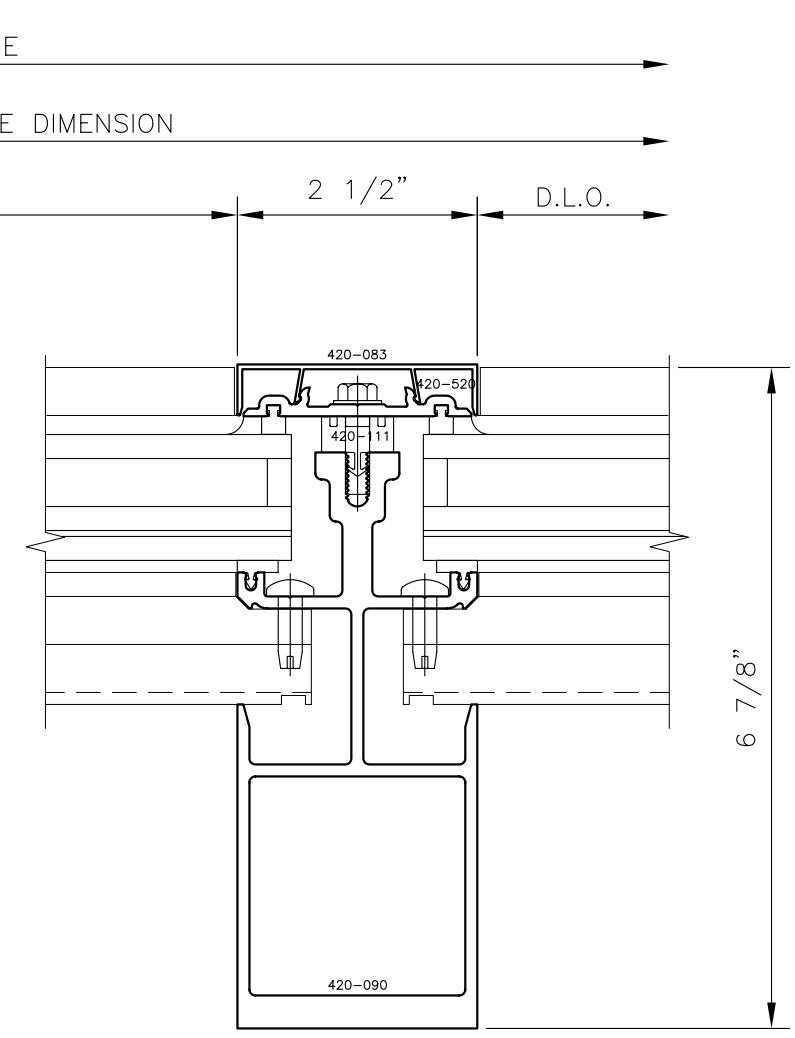
48 HEAD/RAKE

KAWNEER 1600 SYSTEM 1
KAWNEER 1600 SLOPE GLAZE
ARCH. REF.: B7/A507



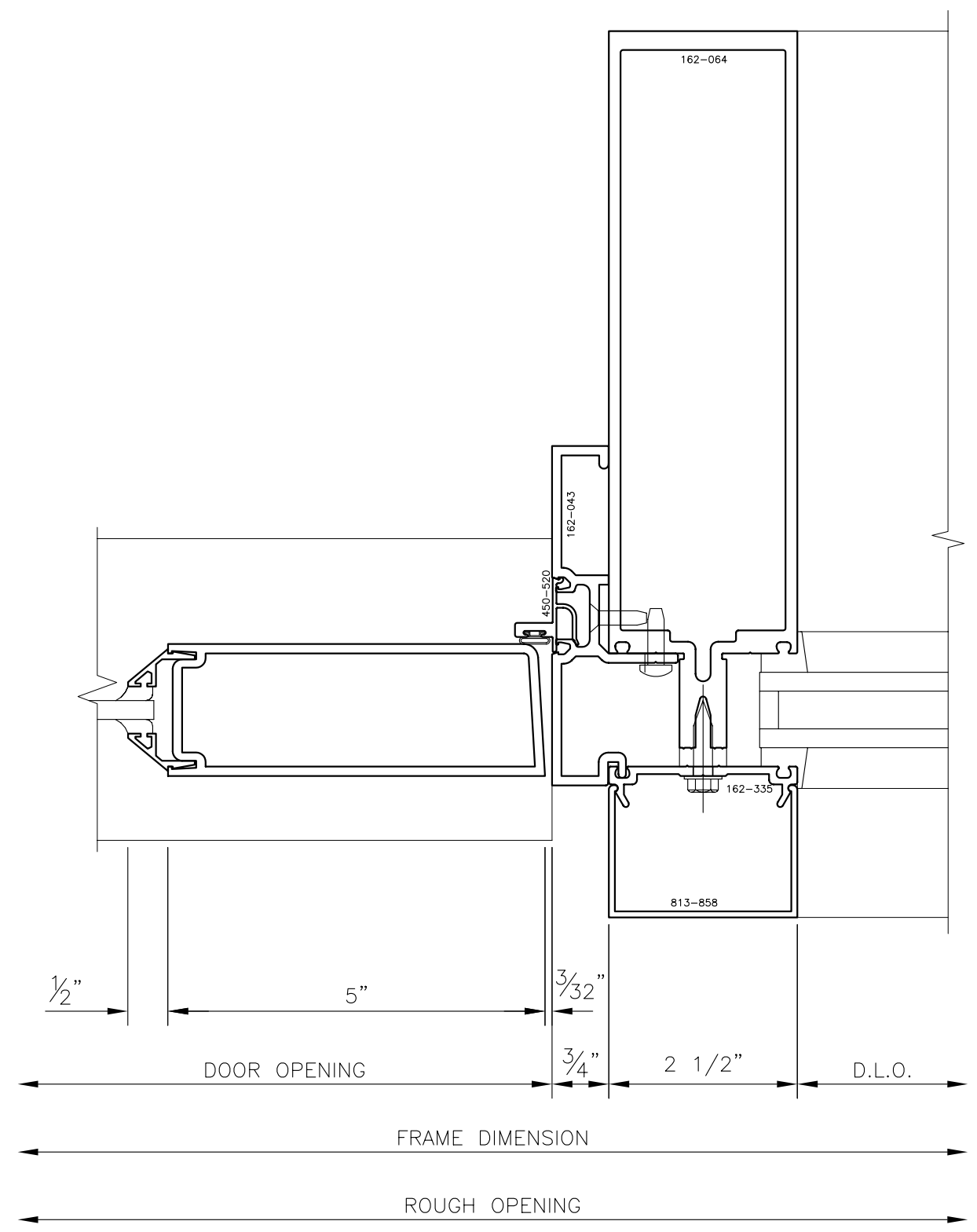
49 RAFTER

KAWNEER 1600 SLOPE GLAZE



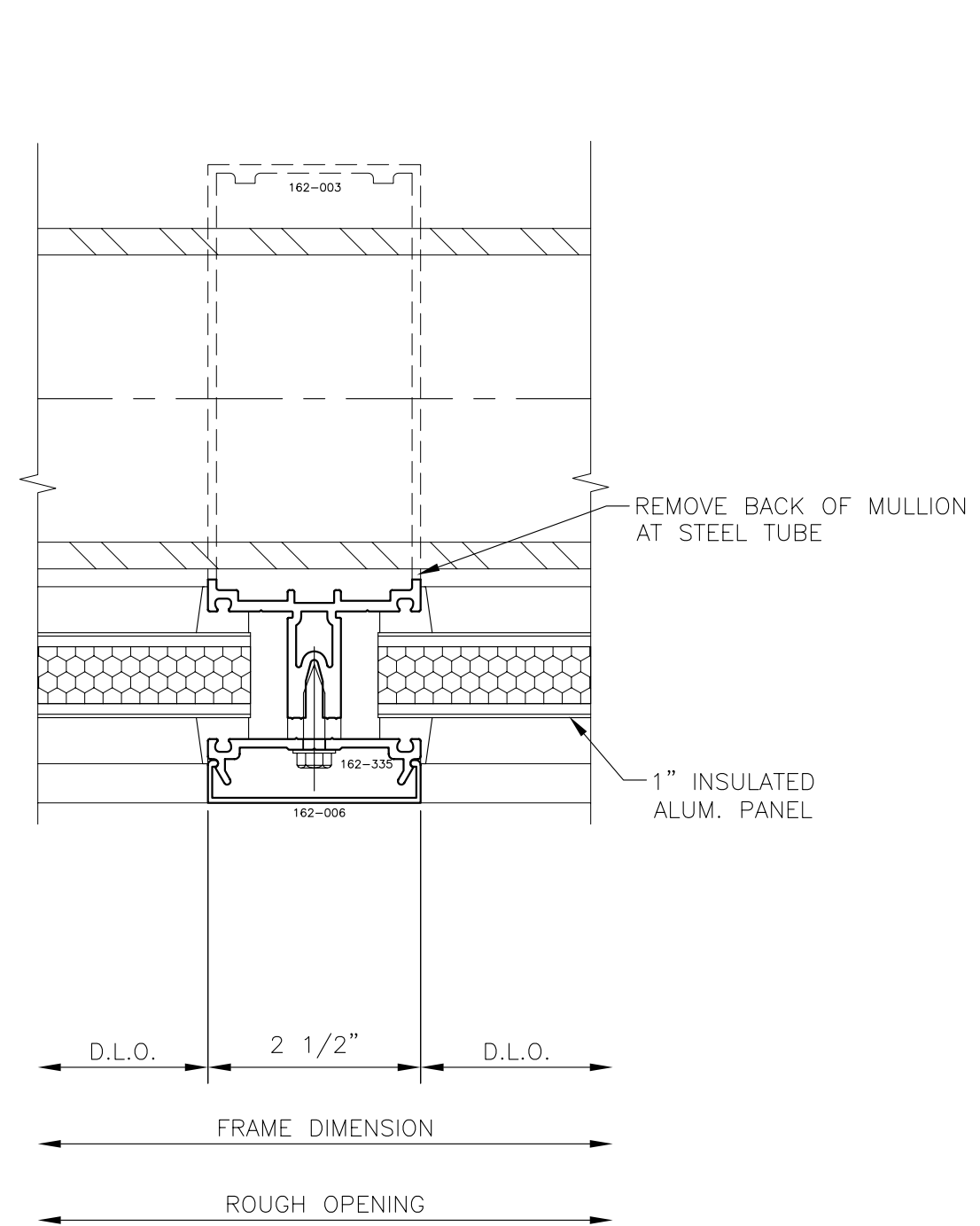
50 DOOR JAMB

KAWNEER 1600 SYSTEM 1
KAWNEER 500 WIDE STILE DOOR



51 VERTICAL

KAWNEER 1600 SYSTEM 1



REVISER	PER ARCHITECT'S COMMENTS	1/4/07	GRI
REVISER	PER ASI-57	1/30/07	GRI

GLAZING CONTRACTOR:

ARCHITECT:
Bohlin Cywinski Jackson
Architecture Planning Interior Design
1170
Philadelphia, PA 19105
215.750.5900

CURTAIN WALL DETAILS
PROJECT: COLBY COLLEGE - COTTER UNION EXP.
LOCATION: WATERVILLE, MAINE

Glazier's Resource Inc.
"Your Source For Glazing Design and Drafting"
218 NORTH STATE ST. SUITE 105
CONCORD, NH 03301-5322
PH: 603.860.0198
WWW.GLAZIERSRESOURCE.COM

SCALE: HALF
DATE: 11/1/06
PROJECT: GR06-0144
SHEET:

CD8