

**100% PNEUMATIC (ALL AIR), EXPLOSION PROOF OSX
AUTOMATIC DOOR OPERATOR & INTERLOCK DOOR SYSTEM
QUOTE FORM**

(Formerly known as Stanley Pneumatic Door Operator)

Carey Automatic Door, LLC manufactures heavy-duty, intrinsically safe pneumatic door operator systems which can be customized for hazardous swinging and sliding door applications. The entire system is driven by pneumatic cylinders and valves without the use of electrical or electronic components! Moving components are manufactured from non-sparking materials. Pneumatic exit devices compatible. Proven track record in environments with volatile chemicals. Please see attached description and customers served.

***Considered the most intrinsically safe, reliable, durable and cost effective
Automatic Door Operator in the industry since 1970!***

Please use one form per set of doors:

1. Is this a new installation or retrofit to an existing door? _____
2. Single door or pair of doors? _____
 - a. Width, height & thickness of doors _____
 - b. Weight and type of doors _____
 - c. Fire door application _____
 - d. Are doors in place? _____
3. **If Swing Door** (Operators can be mounted inside or outside of hazardous room):
 - a. IN/PULL or OUT/PUSH application: _____



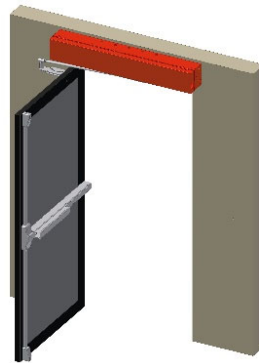
IN/PULL
(doors swing under Operators)



OUT/PUSH
(doors swing away from Operators)

b. Right Hand or Left Hand swing for single door: _____

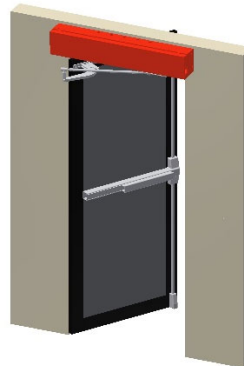
RH Operator Shown
(clockwise swinging
doors)



LH Operator
(counter-clockwise
swinging doors)

IN/PULL APPLICATION

LH Operator Shown
(counter-clockwise
swinging doors)



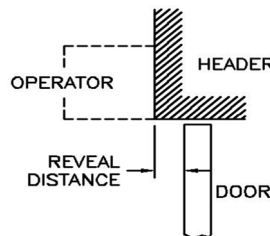
RH Operator
(clockwise swinging
doors)

OUT/PUSH APPLICATION

c. Side Clearance _____
Distance required between jamb and side wall for door bracket (small wall pocket may be required).

d. Height Clearance: top of door to ceiling or obstruction _____

e. Reveal Distance _____
Distance from back of operator case to inside surface of door in closed position. Varies with door thickness and hanging.

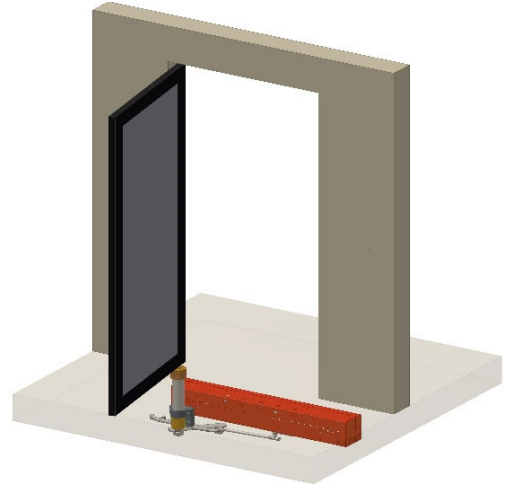
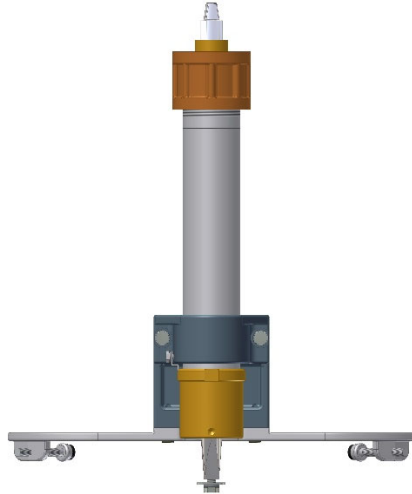


f. Hinge hung, swing clear, center pivot or offset pivot hinges? _____

g. Are pneumatic exit devices required (recommended)? _____

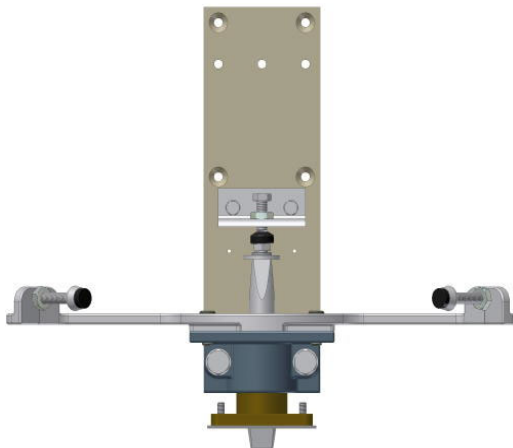
4. If **Magic Mole Pivots (Concealed under Floor)** are required:

- a. Floor thickness for shaft length _____
- b. If doors are not in place, will Carey Top Pivot be required? _____



5. If **Magic Star Pivots (Concealed Overhead)** are required:

- a. Clearance door top to Operator top for shaft length _____



6. **If Slide Door** (strongly recommend utilizing Carey track & hangers as they are specifically manufactured for hazardous areas; all moving components non-sparking):

- a. Specify RH, LH or Bi-Part Operators: _____
RH operators if door opens toward the left when facing operators.
LH operators if door opens toward the right when facing operators.
- b. Height clearance: top of door to ceiling or obstruction _____
- c. Pneumatic safety/reversing edge (strongly recommended): _____

If Carey Slide Door Track and Hangers are required:

- d. Masonry opening width: _____
- e. 4" lap present on each side of door: _____
- f. Wall thickness to mount track: _____
- g. Door gauge: _____

7. **Manual Controls** (shall be either or a combination of the following): _____

- a. ALL AIR Palm Button Activation – where surface mounted palm buttons are required.
- b. ALL AIR Pull Cord Activation – for use in overhead applications and where wheeled traffic exists.



8. **Activation Options** for ALL AIR Operators: _____

- a. Standard Activation: Push palm button or pull cord to open, hold open with 0-30 second time delay, automatic close: spring close (single acting), power close (double acting) depending on weight of door or counterweight close (sliding fire door)
- b. Optional Activation: Push palm button or pull cord to open, door stays open, push to close **(Not applicable for fire doors)**

9. **Optional Interlock Door Systems for Swinging and Sliding Door Applications:** provides for opening of one set of doors and latching of the other set to prevent simultaneous opening of both sets of doors.

- a. Distance between doors _____

10. Access to central air supply or air compressor? _____
To be furnished and installed by the General Contractor, Plumbing Contractor and/or Automatic Door Installer. Consult Carey representative for capacity recommendations.
11. Special considerations? _____
12. Timeframe for project? _____
13. Drawings or schematics available & attached? _____
14. Architectural specifications available & attached? _____
15. If not certified door installer, referral needed for installation? _____
16. If existing area, please forward pictures _____
17. How referred to Carey Automatic Door, LLC? _____

Name

Date

Company

Job Name & Door No.

Address

Phone Number

Email

100% Pneumatic (ALL AIR), Explosion Proof Automatic Door Operators & Interlock Door Systems are ideal for: Pharmaceutical, Chemical, Manufacturing, Industrial, Ammunition & Ordinance Facilities, Oil Refineries, Industrial Bakeries, Coal Preparation Plants, etc.

Please feel free to contact us at (203) 267-4278 if you should have any questions. Thank you for the opportunity to quote this job.

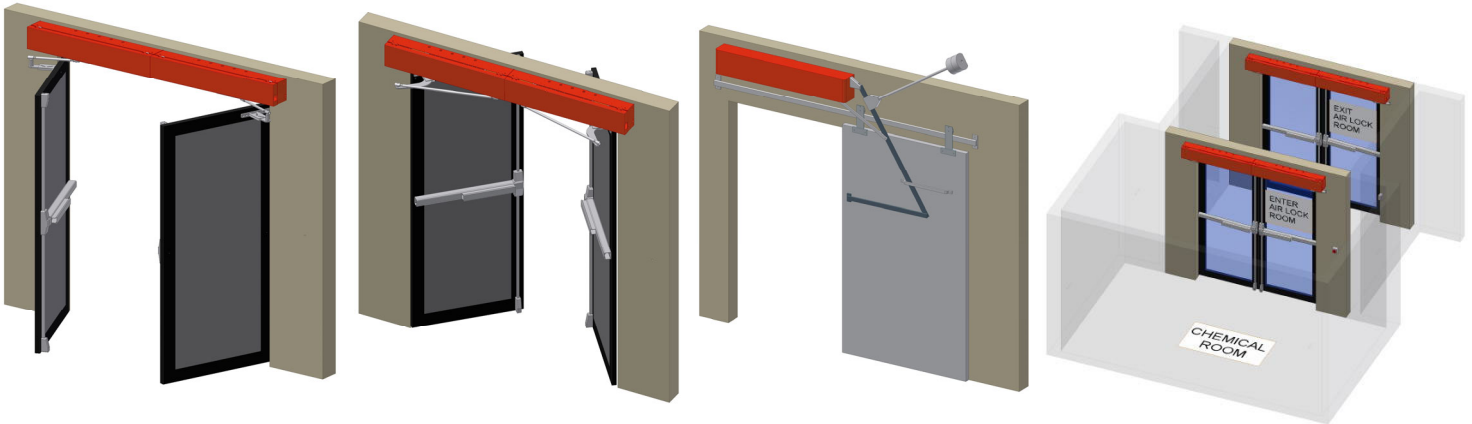
Virtually maintenance free for 20 - 30+ years!

Carey Automatic Door, LLC

(203) 267-4278

100% Pneumatic (ALL AIR), Explosion Proof OSX Door Operators

(Formerly known as STANLEY Pneumatic Door Operators)



**No electrical or electronic components.
All moving components manufactured from non-sparking materials.**

Heavy-duty, intrinsically safe pneumatic door operators are ideal for swinging and sliding door panels in hazardous locations. Proven track record for environments with volatile chemicals since 1970!

- Pneumatically controlled from central air supply.
- Entire system driven by pneumatic cylinders and state of the art pneumatic valves contained within Operator case (no separate control box is required).
- Operator cases, covers and slide rods fabricated from high grade stainless steel 300 series corrosion resistant material.
- Intrinsically safe operator can be mounted inside or outside of hazardous room for swinging door applications.
- Seamless integration with Von Duprin pneumatic exit devices (no separate control box required).
- Operator capable of operating doors against wind velocities (and equivalent stack pressures) up to 40 miles per hour.
- Opening and closing action individually controlled by separate built-in pressure regulators, opening and closing valves. Adjustable for pressure and volume for required speed and power.
- Operator to be activated by two pneumatic palm buttons and/or pneumatic pull cords, or low voltage card reader (mounted at safe distance from hazardous zone, by others).
- Activation options: 0-30 second time delay or push to open, doors stay open, push to close.
- Long operating life and minimal maintenance. Both are achieved through simplicity of design, robust construction plus the use of few moving parts.
- For use with Fire Doors, Hollow Metal Doors, Blast Resistant Doors, Stainless Steel Doors

Air power opening with spring closing (single acting) or power closing (double acting) depending on weight of swinging doors, or counterweights for sliding fire doors.

Interlock Door Systems: Provide for opening of one set of doors (or more) and latching of the other set pneumatically to prevent simultaneous opening of both sets of doors (swinging and sliding doors).

**Considered the most intrinsically safe, reliable, durable & cost effective
Automatic Door Operator in the industry since 1970!**

Virtually maintenance free for 20 - 30+ years!

www.careydoor.com

Carey Automatic Door, LLC

(203) 267-4278

100% Pneumatic (ALL AIR), Explosion Proof OSX Door Operator Applications

Single Swinging Doors:

0-1S Pneumatic Operator Packages. For use with single swinging doors in industrial applications. One operator designed to swing a single hinge hung door either IN/PULL or OUT/PUSH. Maximum door opening width is 72”.

Double Swinging Doors:

0-4S Pneumatic Operator Packages. For use with pairs of swinging doors that require complete speed control for varying conditions in industrial applications. Two operators coupled to operate a pair of doors swinging IN/PULL or OUT/PUSH. Maximum door opening width is 144”.

Swinging Fire Door Packages. An automatic fire door package is available and will interface with the single acting 14” stroke operator.

Single Sliding Doors:

0-7 Pneumatic Operator Packages. For use with single sliding doors in industrial applications. Available for labeled fire door applications. For doors that slide either Left or Right of the opening. Maximum door opening width is 96”.

07-D Pneumatic Operator Packages. For use with heavy single sliding doors in industrial applications. Available for labeled fire door applications. For doors that slide either Left or Right of the opening. Maximum door opening width is 144”.

Bi-Part Sliding Doors:

0-9 Pneumatic Operator Packages. For use with pairs of sliding doors in industrial applications. Available for labeled fire door applications. Maximum door opening width is 192”.

09-D Pneumatic Operator Packages. For use with pairs of heavy sliding doors in industrial applications. Not available for labeled fire door applications. Maximum door opening width is 288”.

Carey Automatic Door, LLC

(203) 267-4278

100% Pneumatic (ALL AIR), Explosion Proof OSX Door Operators

Customers served since 1970!

3M Company
Abbott Pharmaceuticals
Amgen, Inc.
Anagram International
Aspen Aerogels
AstraZeneca Pharmaceuticals
Becton Dickinson
Boehringer Ingelheim Corporation
BOEING
BP Exploration, Inc.
Bristol-Myers Squibb
CordenPharma (Hospira)
Corpus Christi Army Depot
Crane Army Ammunition Activity
Cytotec Industries
Dow Corning Corporation
DuPont, Inc.
Hospira Pharmaceuticals
Eastman Chemical Company
Estee Lauder
Genzyme Biosurgery
Gilead Sciences
Goodrich Fuel & Utility Systems
Grain Processing
Indiana Michigan Power Company
IST Industrial Summit Technology
Lockheed Martin Corporation
Los Alamos National Laboratory
Mallinckrodt Pharmaceuticals
Markem CIJ Manufacturing
McAlester Army Ammunition Plant
Medtronic (Covidien)
Merck & Co., Pharmaceuticals
MerCruiser
Novartis Consumer Health
Ortho Clinical Diagnostics
Palisades Nuclear Power Plant
Patheon Pharmaceuticals
Philip Morris Company
PPG Aerospace
Raytheon Missile Systems
Regeneron Pharmaceuticals
Sandia National Laboratories
Sigma-Aldrich Corporation
Solvay
The Dow Chemical Company
United Nations Headquarters
Woodward Governor Company
Wright Patterson Air Force Base
Wyeth Ayerst Laboratories
Xerox Corporation