

CYM Series of Multi-Mode CW Fiber Lasers

**1.5KW-6KW
MM-CW FIBER LASER**

Our Customers Success is Our Success



The CYM Series of continuous wave fiber lasers, with output powers from 1.5 kW to 6kW, are designed for industrial materials processing application. The output fiber system is fitted with a QBH cable. Which makes it easy to match with most cutting heads.

UNITED PHOTONICS LLC

Phone: 617.752.2073
Email: info@unitedPhotonics.net
Web: www.unitedPhotonics.net



CYM Series of Multi-Mode CW Fiber Lasers

1.5KW-6KW MM-CW FIBER LASER

Our Customers Success is Our Success

PARAMETERS	UNIT	CYM - 1500	CYM - 2000	CYM - 3000	CYM - 4000	CYM - 5000	CYM - 6000
POLARIZATION	/	RANDOM	RANDOM	RANDOM	RANDOM	RANDOM	RANDOM
CENTRAL EMISSION WAVELENGTH	nm	1080	1080	1080	1080	1080	1080
EMISSION BANDWIDTH	nm	< 6	< 6	< 6	< 6	< 6	< 6
MAX. MODULATION FREQUENCY	kHz	10	10	10	10	10	10
NOMINAL AVERAGE OUTPUT POWER	W	1500	2000	3000	4000	5000	6000
OUTPUT POWER TUNABILITY	%	10-100	10-100	10-100	10-100	10-100	10-100
OUTPUT POWER STABILITY	%	± 2 (>1000 h)	± 2 (>1000 h)	± 2 (>1000 h)	± 2 (>1000 h)	± 2 (>1000 h)	± 2 (>1000 h)
FIBER CORE DIAMETER	um	100	100	100	100	100	100
OPTICAL HEAD	/	QBH	QBH	QBH	QBH	QBH	QBH
OPERATING VOLTAGE	V	380 AC	380 AC	380 AC	380 AC	380 AC	380 AC
MAX. POWER CONSUMPTION	kW	6	8	12	16	16	16
COOLING METHOD	/	WATER COOLING	WATER COOLING	WATER COOLING	WATER COOLING	WATER COOLING	WATER COOLING
OUTPUT FIBER DELIVERY LENGTH▲	m	15	15	15	15	15	15
INPUT/OUTPUT INTERFACE	/	DB25/ RS232	DB25/ RS232	DB25/ RS232	DB25/ RS232	DB25/ RS232	DB25/ RS232
AMBIENT TEMPERATURE	C°	10-40	10-40	10-40	10-40	10-40	10-40
DIMENSIONS (W*H*D)	inches	32.x58x49	32.x58x49	32.x58x49	35x65x45	35x65x45	35x65x45
NET WEIGHT	lbs	716	772	827	992	992	992

UNITED PHOTONICS LLC

Phone: 617.752.2073

Email: info@unitedPhotincs.net

Web: www.unitedPhotonics.net



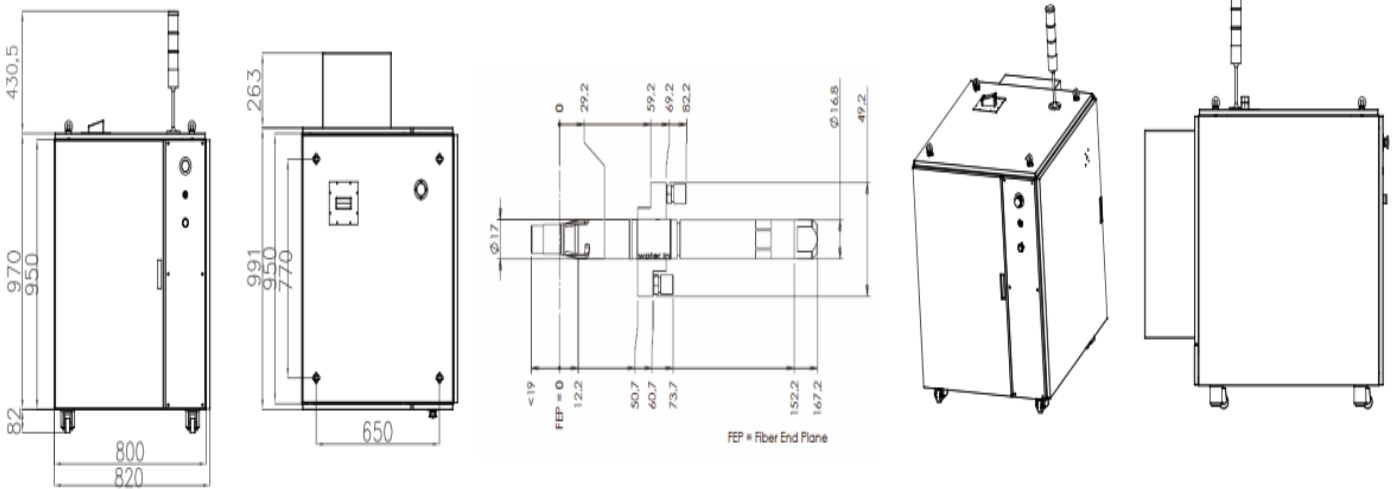
united
PHOTONICS

CYM Series of Multi-Mode CW Fiber Lasers

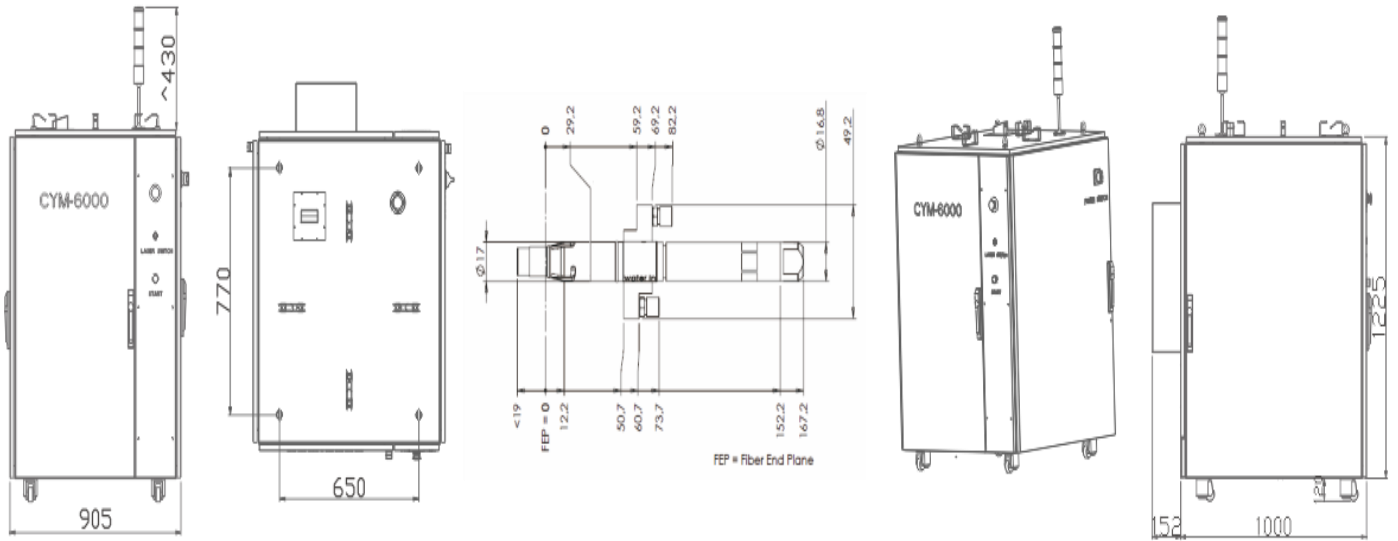
1.5KW-6KW MM-CW FIBER LASER

Our Customers Success is Our Success

1500W/2000W/3000W



4000W/5000W/6000W



UNITED PHOTONICS LLC

Phone: 617.752.2073
Email: info@unitedPhotincs.net
Web: www.unitedPhotonics.net

