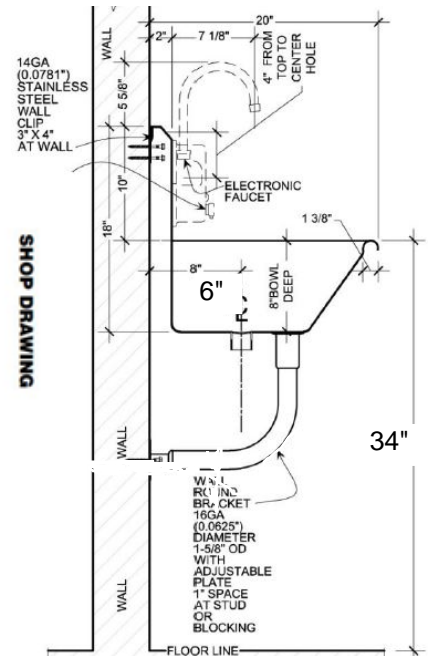
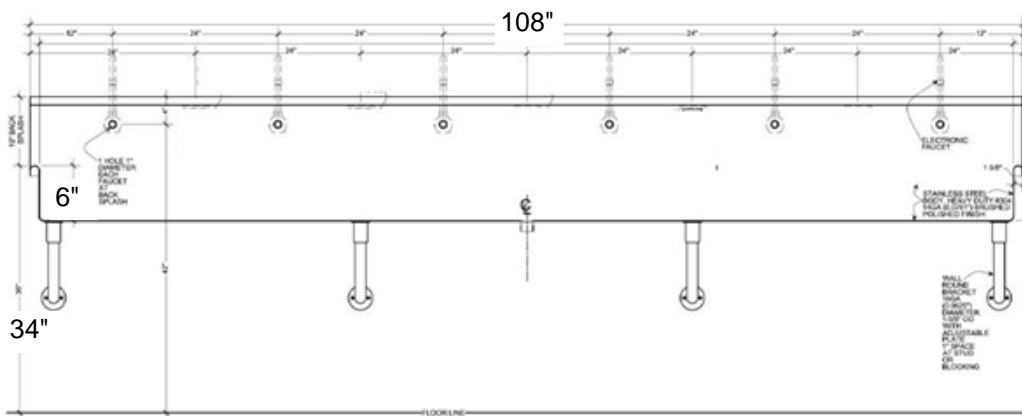
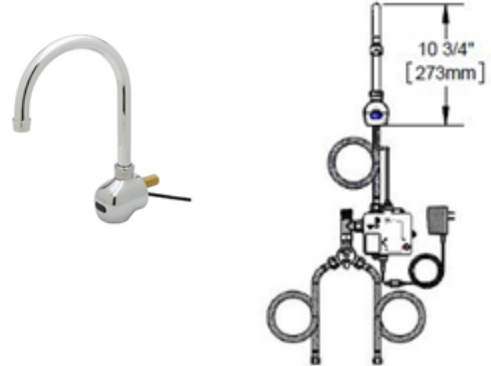
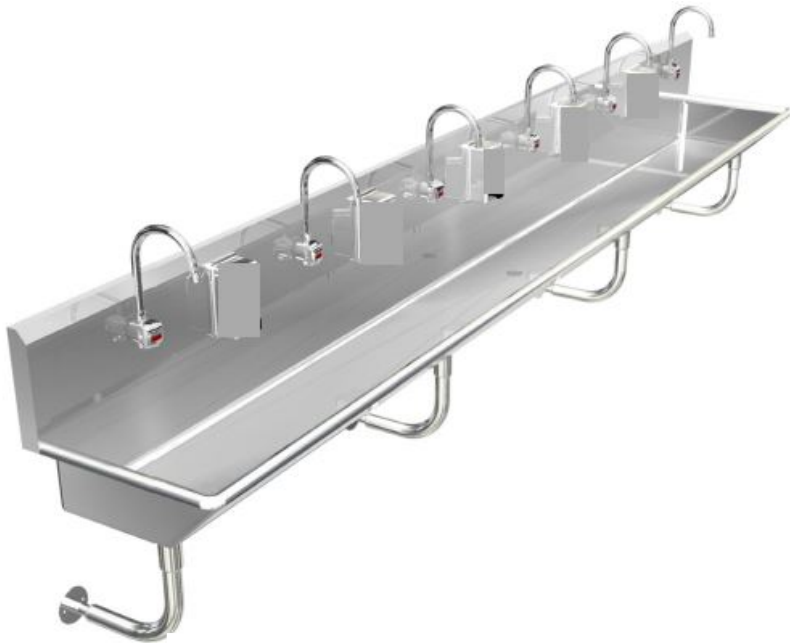


Wicketts Stainless SPECIFICATION

Commercial Sink Heavy Duty
Wash Up Sink



Model Number	A	B	C	D	F
WWT-10820-SF-LW-ADA	108	20	105	6	10

Engineering Specification:

14 gauge, type 304 stainless steel wash sink. 1-3/8 Rolled rims. 1-1/2" welded in drain. Exposed surfaces polished to a satin finish. Supported on (3) wall brackets and clips. www.P65Warnings.ca.gov

Wicketts Stainless, LLC. 2618
San Miguel Dr. Bldg.# 376
Newport Beach, CA 92660
Tel: 951-858-2548
Fax: 951-638-9059
Sales@wickettsstainless.com



Approved for Manufacturing
Company: _____
Signature: _____
Print: _____ Date: / /