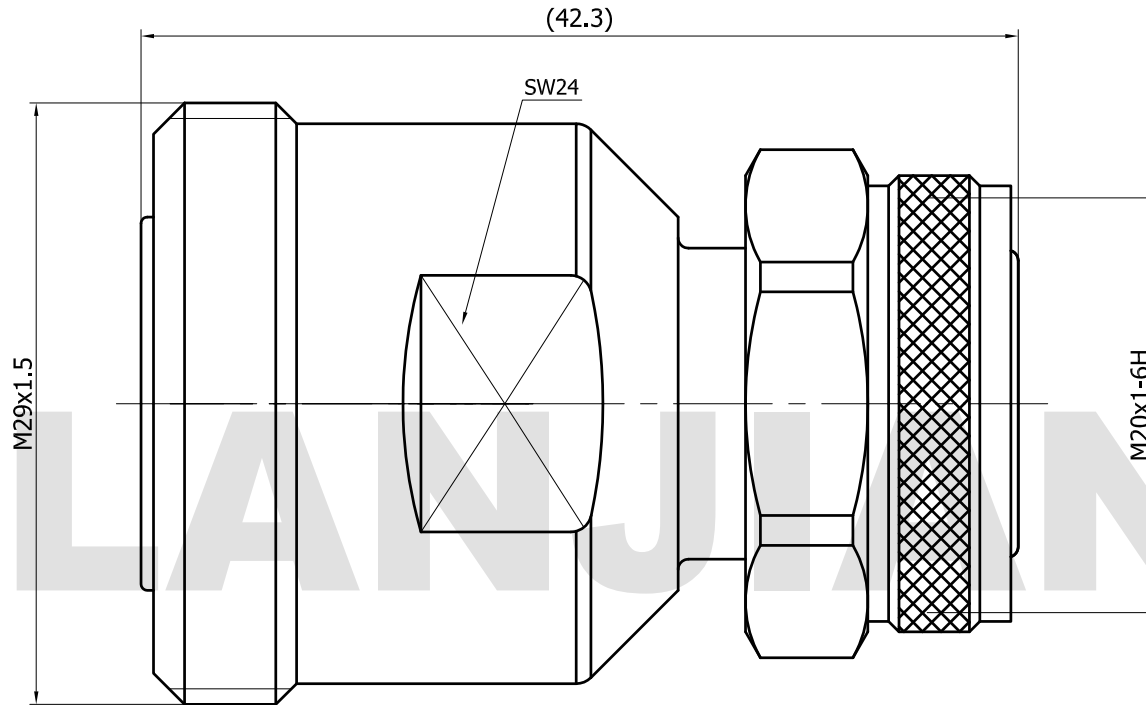




# PRODUCT DATA SHEET



**MATERIAL:**

**BODY:** BRASS  
**CONTACT:** BERYLLIUM COPPER  
**INSULATOR:** PEI  
**PERFORMANCE:**  
**IMPEDANCE:** 50 OHMS  
**FREQUENCY:** DC TO 7.5 GHz  
**VSWR:** ≤1.2

THIS DOCUMENT CONTAINS CONFIDENTIAL AND PROPRIETARY INFORMATION THAT CANNOT BE REPRODUCED OR DIVULGED, IN WHOLE OR IN PART, WITHOUT WRITTEN AUTHORIZATION FROM LANJIAN ELECTRONICS	MATERIAL :			 38 Hengtong Road, Xinqu Dingmao Zhenjiang, 212009, Jiangsu, P. R. China	
	UNLESS OTHERWISE SPECIFIED: DIMENSIONS IN MM				
	TOLERANCES :				
	X.X	±0.20	ANGULAR : ±1°		DEBURR AND BREAK SHARP EDGES
	X.XX	±0.10	FILLETS R/C : ±0.10		
	X.XXX	±0.01	SURFACE FINISH : Ra 1.6		
		NAME	DATE		SIGNATURE
	DRAWN	X.C.W	04/21/2022		
	CHK'D	H.Z.Y	04/21/2022		
	APP'VD	H.Z.Y	04/21/2022		
MFG					
PROJECTION		SIZE	SCALE		
		A3	8:1		
DO NOT SCALE THE DRAWING			DWG No. GCPZ3.640.N.003 REV. A PAGE 1 / 1		