



ADVANCED VALVE TECHNOLOGIES, LLC.

EZ VALVE SIZE & OD RANGE

Order Specifications

Better QUALITY!

Better DELIVERY!

Better PRICING!

Better DESIGN!

**By the people who
INVENTED Linestopping
for the Water Industry!**

Nominal Pipe Size (inches)	Valve OD Range (inches)
4"	4.40 - 4.60 4.80* - 5.00*
6"	6.40 - 6.80 6.70* - 7.10*
8"	8.35 - 8.75 8.95* - 9.35
10"	10.64 - 10.86 11.10* - 11.50*
12"	12.62 - 12.88 13.20* - 13.60*

* OD Range to fit cast iron, ductile iron, C-900 & SDR 21/26-Class 200/160 PVC & Steel Pipe

Larger fitting sizes are available upon request

AUTHORIZED REPRESENTATIVE:

VALVE INSERTION MADE EZ

Advance Valve Technologies, LLC. (AVT) is pleased to announce the introduction of it's newest designed insertion valve (4" - 16" presently), the **EZ VALVE**. EZ installation, EZ operation and EZ on the pocketbook!

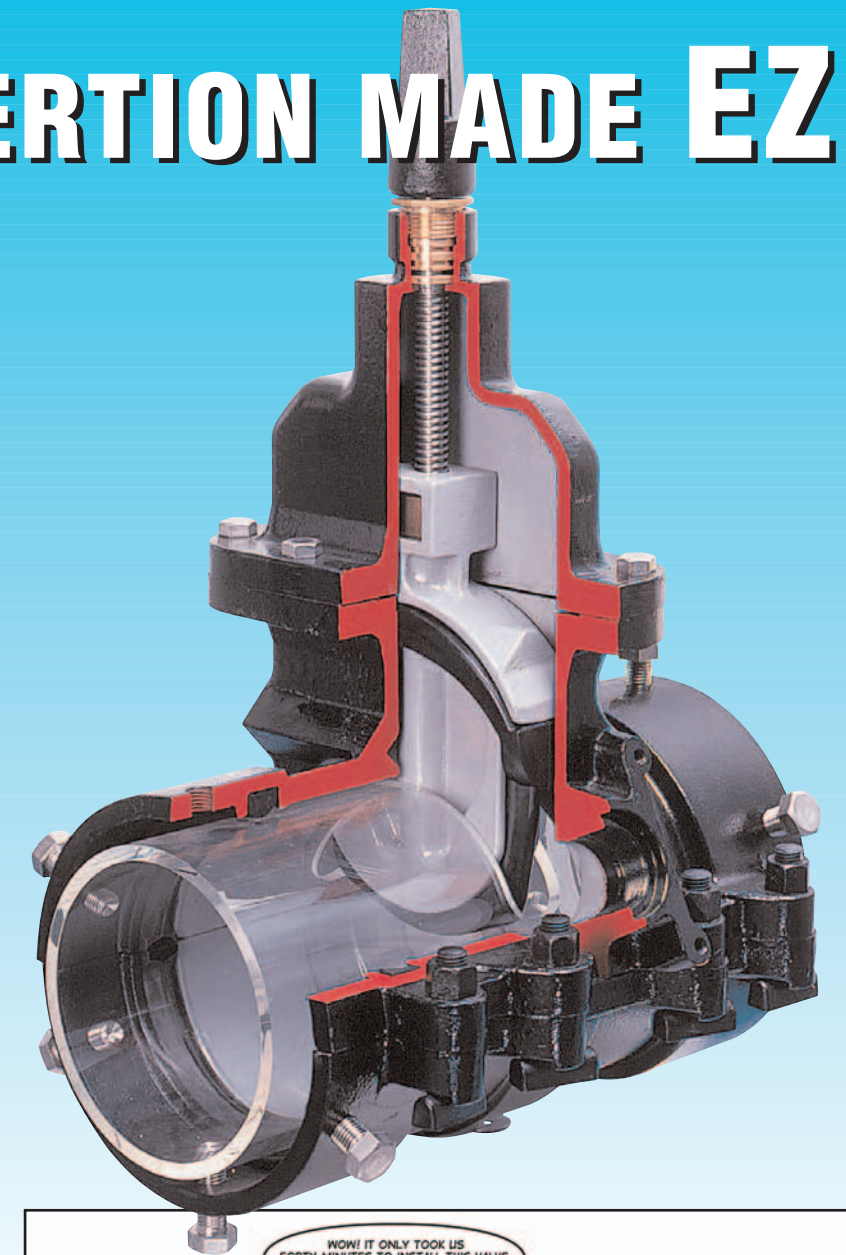
EZ VALVE makes all other methods of installing a valve "under pressure" obsolete! No tapping machine required, no temporary valve required, no coupon to drop, no heavy equipment to transport and move around the jobsite or operate.

The **EZ VALVE** is less expensive than any other insertion valve, can be easily transported in the trunk of a car and can be installed in less than one hour. Making the **EZ VALVE** system the fastest, most economical, most reliable valve insertion system in the world.

The **EZ VALVE** internal parts (gate) are removable or replaceable "under pressure," with out the need to use the installation equipment. The **EZ VALVE** "mills" a slot across the top of the pipe, 120 degrees, preserving the integrity of the pipe while providing a rigid support for the gate.

With over 9,000 installations world wide, **EZ VALVE** is the only logical choice for professional valve insertions! Sizes 20" thru 24" coming soon!

Contact your nearest AVT representative or contact us direct at:



ADVANCED VALVE TECHNOLOGIES, LLC.

12601 South Homan Avenue / Blue Island, IL 60406 / Phone: 877.489.4909 or 708.489.4900

Visit our web site: www.avtfittings.com

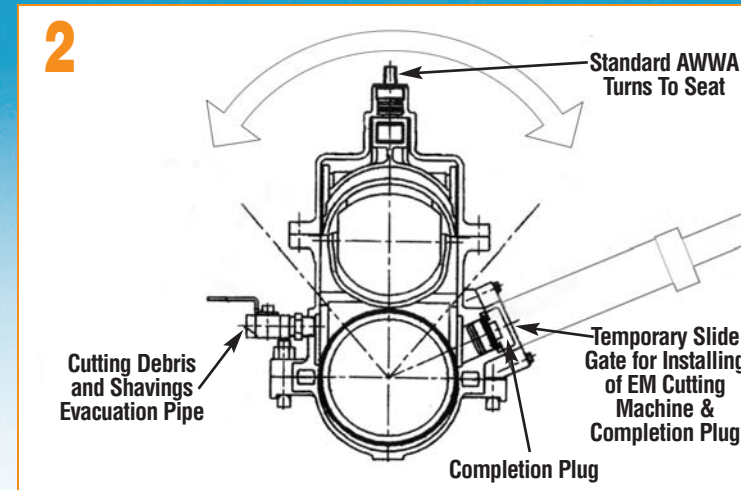
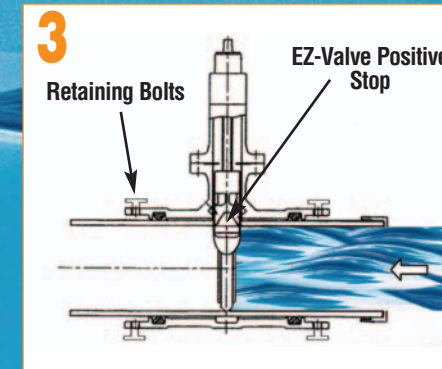
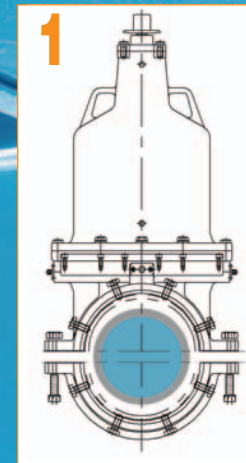
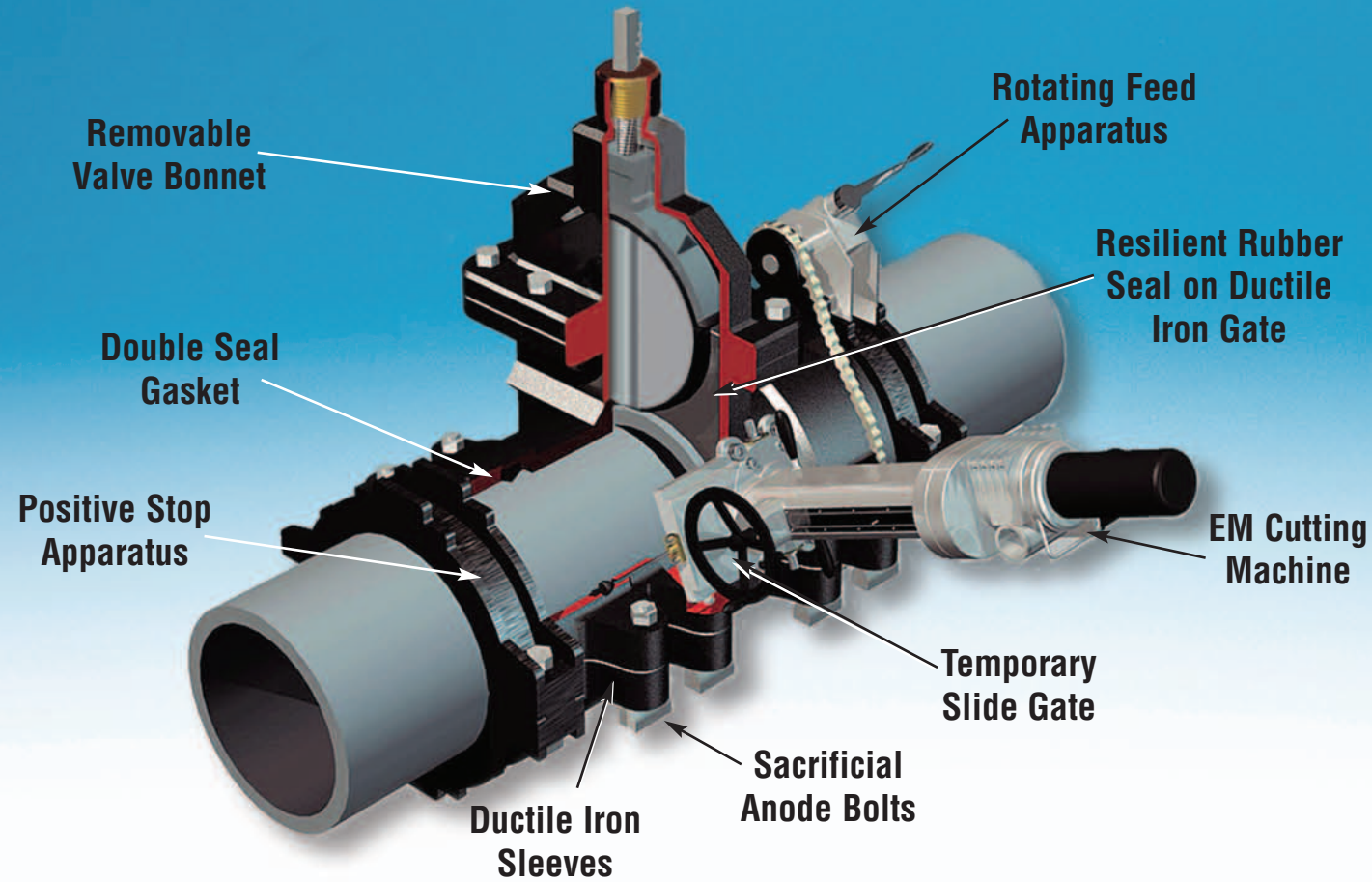


EZ VALVE™

Permanent Valve Insertion System

US AND INTERNATIONAL PATENTS

SIMPLE, SURE AND SAFE



- 1 Install Valve Assembly on Pipe
- 2 Begin Cutting Pipe With EM Cutting Machine
- 3 Remove EM Cutting Machine, Tighten Retaining Bolts, Install Completion Plug
- 4 EZ Valve Installation is Complete

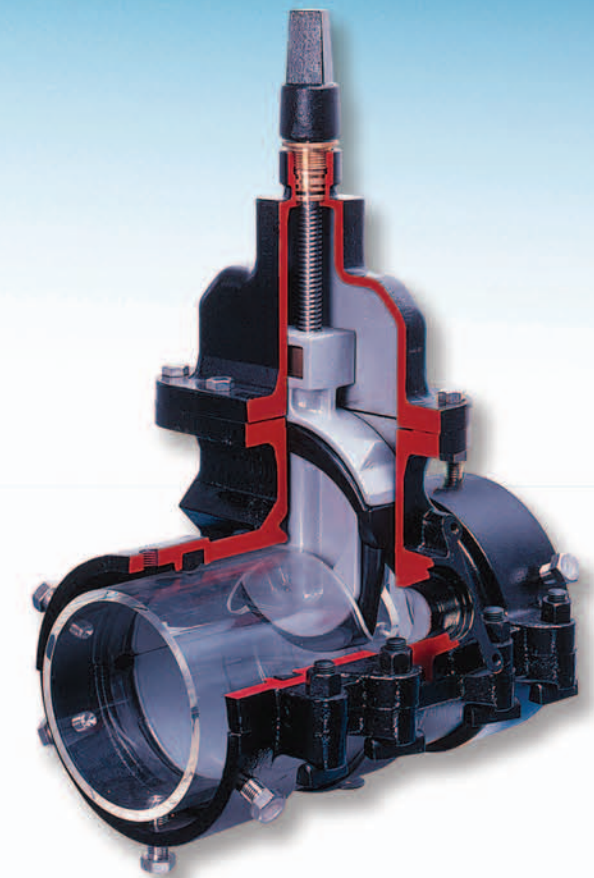
MAIN FEATURES OF EZ VALVE

- Permanent • Lightweight • Easy to Install • No Cranes Needed • Single Excavation •
- No Thrust Restraint • Quick Installation, Dig, Install and Restore in One Day •
- Huge Savings in Restoration Costs • Ductile Iron Construction •
- Makes Line-Stopping Obsolete • Meets AWWA Standards for Material Specifications •

BENEFITS:

- ◆ Simple
- ◆ Sure
- ◆ Safe
- ◆ One Day Training
- ◆ Easy to Transport
- ◆ Huge Savings
- ◆ Reduced Restoration Cost, One Excavation
- ◆ Excellent Emergency Shut Off Tool

AVT reserves the right to modify EZ Valve at any time.



ADVANCED VALVE TECHNOLOGIES, LLC.

12601 South Homan Avenue / Blue Island, IL 60406 / Phone: 877.489.4909 or 708.489.4900 / Visit our web site: www.avtfittings.com