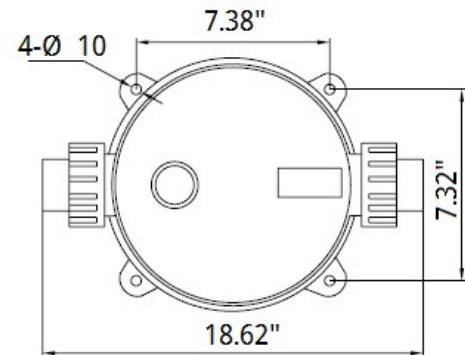
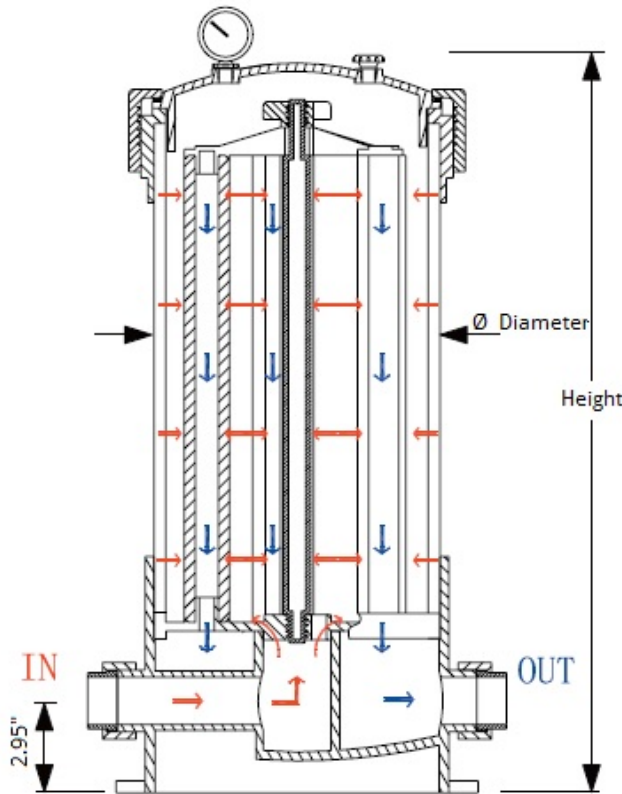


PVC Cartridge Housing - 5 Rounds



A - Lid with Closure Ring (nut) wrench included

B - Lid with 316 SST Swing Bolts

Part Number	Material	Diameter (Inches)	Height (Inches)	Cartridges	Cartridges Length	In/Out	Max. Pressure	Max. Temp.	Flow Rate
HPCF-A-5DC1 HPCF-B-5DC1	PVC	Ø8.86"	18.31"	5	10"	2"	A - 56 PSI B - 87 PSI	113°F	18 GPM
HPCF-A-5DC2 HPCF-B-5DC2	PVC	Ø8.86"	28.15"	5	20"	2"	A - 56 PSI B - 87 PSI	113°F	31 GPM
HPCF-A-5DC3 HPCF-B-5DC3	PVC	Ø8.86"	37.99"	5	30"	2"	A - 56 PSI B - 87 PSI	113°F	44 GPM
HPCF-A-5DC4 HPCF-B-5DC4	PVC	Ø8.86"	47.83"	5	40"	2"	A - 56 PSI B - 87 PSI	113°F	57 GPM