

# Operating Instruction and Parts Manual for

## 450DD

**With Removable  
Liner & Lid**



**WARNING**

DO NOT ATTEMPT TO START OR OPERATE THE MACHINE UNTIL ALL THE INSTRUCTIONS HAVE BEEN READ AND UNDERSTOOD BY THE OPERATOR. FAILURE TO DO SO COULD RESULT IN SERIOUS BODILY INJURY AND/ OR PROPERTY DAMAGE!

10601 S Sam Houston Pkwy, STE 140

Houston, TX 77071

281-313-2506 • 800-469-4178

**K** KUSHLAN  
PRODUCTS, LLC

SHOULD YOU REQUIRE ANY  
SET-UP OR OPERATING ASSISTANCE WITH YOUR PRODUCT,

**DO NOT RETURN TO ORIGINAL PLACE OF PURCHASE**

o After referring to the operation manual, if assistance is still needed, please consult our web Site at

**[www.kushlanproducts.com](http://www.kushlanproducts.com)**

o From our web site you may **e-mail us** directly. If assistance is still required, please call our customer service department at **1-800-469-4178**.

## **Safety Alert Symbol: This safety alert symbol is used to attract your attention!**

o Personal Safety is involved when you see this symbol, Pay extra attention, become alert-be sure to heed its message. Failure to do so may lead to serious personal injury or damage may occur.

o Warnings and safety instruction: If these warnings and safety instructions are not read and carefully followed, serious personal injury could occur.

### **WARNINGS**

1. Do not use, start, or attempt to operate this machine until all of the instructions have been read and fully understood.
2. Never allow anyone to operate this machine unless the person is well acquainted with these rules of safe operation.
3. Never operate this machine without all guards in place and firmly attached to the machine.
4. Make certain that the mixing drum is clear of obstructions and stand clear of the machine without all guards in place and firmly attached to the machine.
5. When cleaning, lubricating, or adjusting the mixer, disconnect the power plug.
6. Keep all people (except operator) a minimum of five (5) feet away from the machine during operation.
7. Always make certain that the mixer is connected to a properly grounded electric circuit to protect the operator from possible electric shock.
8. Do not plug or unplug the motor while standing in or around damp or wet ground.
9. Do not start the motor if the drum is fully loaded.
10. Do not overload the mixer.
11. Never attempt to move the mixer while the motor is on.

**SAFETY INSTRUCTIONS** *For the safety of yourself and others around you, it is extremely important that you observe the following notes.*

1. Keep hands and clothing away from moving parts at all times.
2. Do not operate this machine under the influence of alcohol or while taking medication that impairs the senses or reactions.
3. Make certain that the work area around the machine is clear of debris and obstructions.
4. Keep all unauthorized and untrained people away from the machine at all times.
5. Never let the mixer run unattended even for a brief moment.
6. Turn off the motor when you leave the machine.
7. Only use or operate the mixer on level ground to prevent the mixer from tipping over.
8. Do not abuse the power cord; i.e. NEVER yank on the cord to disconnect it. Keep the cord away from heat, oil, and sharp edges.
9. Do not overreach while working with the mixer. Keep proper Footing and balance at all times when loading or unloading the mixer.
10. Never allow children or inexperienced operators to operate or repair the mixer.
11. Use only factory authorized parts for replacement.
12. Keep these operation instructions with the machine at all times.
13. Always wear safety glasses and safety shoes when operating and moving equipment.
14. Safety decals – replace missing damaged safety decals.

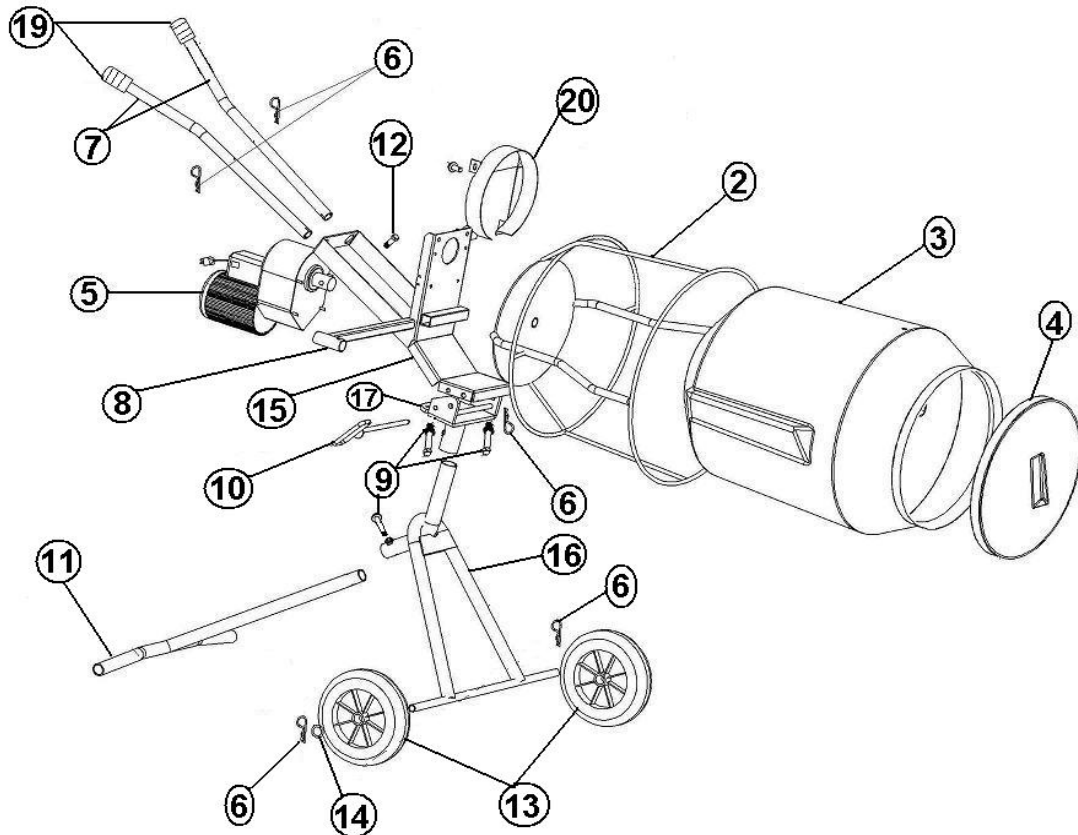
## Mixer Instructions

- A. LUBRICATION:** There are grease fittings on all models. Apply any type of EP grease until grease begins to come out of the bearings. **LUBRICATE ALL FITTINGS BEFORE EACH USE.**
- B. GEARBOX MOTOR:** Mixer shipped with break-in grease only. Before 1<sup>st</sup> use, fill with 8 ounces of 75-90w gear lube.
- C. EXTENSION CORD:** Use only out door approved, 14 gauge or larger, grounded extension cords.
- D. GENERAL:** Check all screws for tightness before each use.
- E. CLEANING:** Do not spray water on or into the motor. Thorough cleaning of the mixer after each use is recommended and will add to the service life.



# Model 450 DD & Removable Liner Parts List

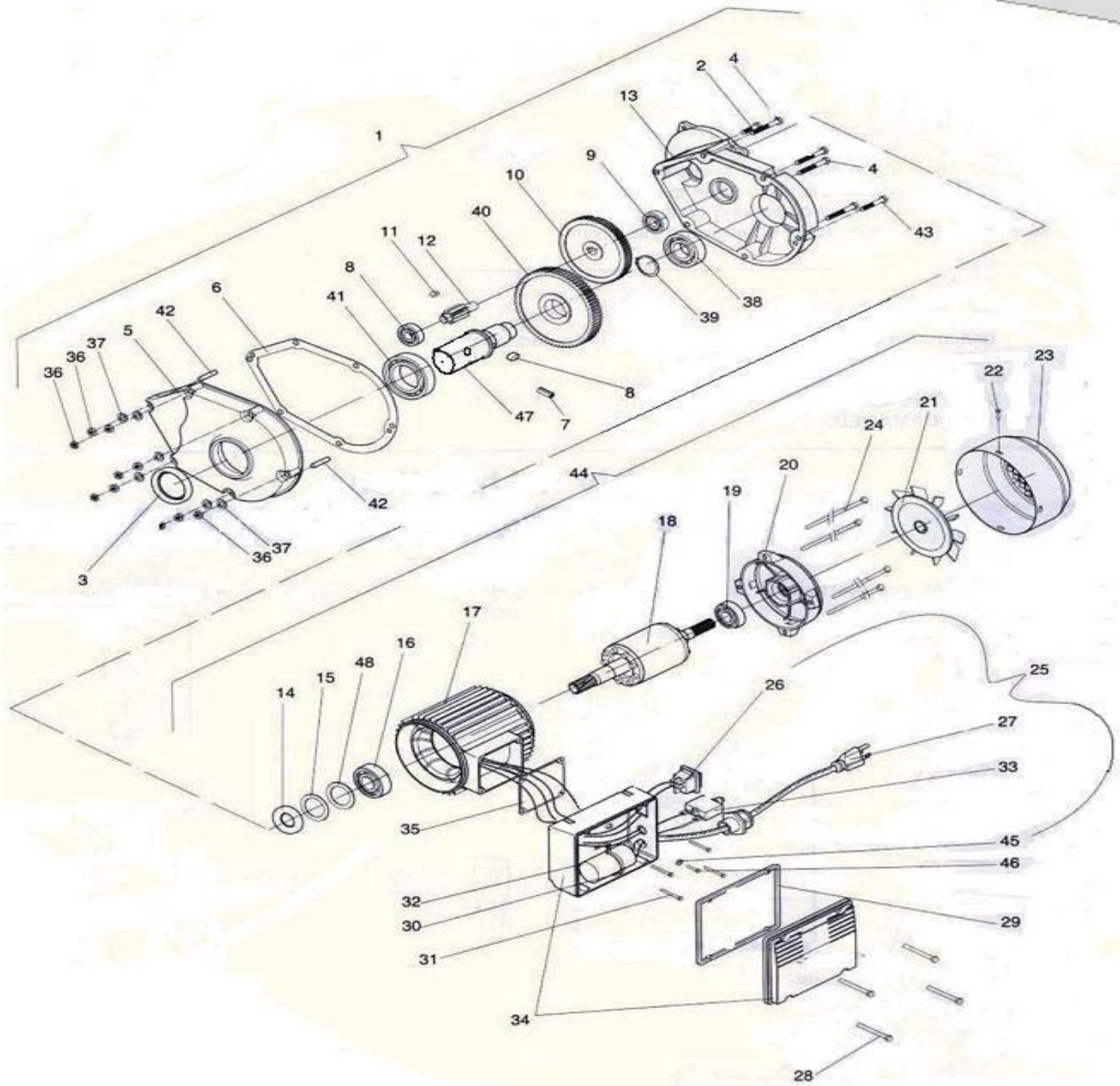
Item	Part Number	DESCRIPTION	Qty
2	450DD-02	Wire Basket For Drum	1
3	450DD-03	Plastic Drum	1
4	450DD-04	Lid for 450DD Liner	1
5	DD-808	3/4 HP Gear Motor	1
6	450DD-06	R Clip Pin	5
7	450DD-07	Drum Handle	2
8	450DD-08	Side Handle	1
9	450DD-09	Bolt	3
10	450DD-10	Pivot Axle Pin	1
11	450DD-11	Draw-Bar	1
12	450DD-12	Hex Head Cap Screw	1
13	450DD-13	PU Foam Wheel	2
14	450DD-14	1" Washer	2
15	450DD-15	Gear Motor Mounting Base	1
16	450DD-16	Main Frame	1
17	450DD-17	Swivel Bracket	1
※NS	450DD-18	Clevis Clip	1
19	450DD-19	Handle Grip	1
20	450DD-20	Protective Cover	1



# Gearbox and Motor Assembly Parts List

Item	Part Number	DESCRIPTION	Qty
1	DD-808	Gearbox and Motor Assembly (110V-60Hz)	1
2	DDMA-02	Screw (6x25mm)	1
3	DDMA-03	Seal (40mm)	1
4	DDMA-04	Screw (6x50mm)	4
5	DDMA-05	Gearbox Case Front Half	1
6	DDMA-06	Gearbox Gasket	1
7	DDMA-07	Pin (8x20mm)	1
8	DDMA-08	Locking Key For Gear and Axle (8x7x15mm)	1
9	DDMA-09	Gearbox Ball Bearing	1
10	DDMA-10	Gear (Z79)	1
11	DDMA-11	Locking Key for Gear Axle (5x5x12mm)	1
12	DDMA-12	Pinion (Z9)	1
13	DDMA-13	Gearbox Case Back Half	1
14	DDMA-14	Motor Seal (20mm)	1
15	DDMA-15	Space Washer A (30mm)	1
16	DDMA-16	Motor Bearing (6004z)	1
17	DDMA-17	Motor Casing	1
18	DDMA-18	Motor Rotor	1
19	DDMA-19	Motor Bearing (6003z)	1
20	DDMA-20	Bell Housing	1
21	DDMA-21	Fan	1
22	DDMA-22	Screw (4x10mm)	4
23	DDMA-23	Fan Cover	1
24	DDMA-24	Bolt (5x135mm)	4
25	DDMA-25	Electric Panel (110V-60Hz)	1
26	DDMA-26	On/Off Switch	1
27	DDMA-27	Power Cord with Plug	1
28	DDMA-28	Screw (4x22mm)	1
29	DDMA-29	Electric Panel Gasket	1
30	DDMA-30	Support	1
31	DDMA-31	Screw (4x15mm)	1
32	DDMA-32	Condenser	1
33	DDMA-33	Manual Reset Thermal Protector	1
34	DDMA-34	Electric Box Assembly	1
35	DDMA-35	Motor Gasket	1
36	DDMA-36	Gearbox Nut (6mm)	10
37	DDMA-37	Gearbox Washer (6mm)	10
38	DDMA-38	Gearbox Bearing (36205)	1
39	DDMA-39	Space Washer B (30mm)	1
40	DDMA-40	Gear (Z68)	1
41	DDMA-41	Gearbox Bearing (36108)	1
42	DDMA-42	Locking Pin (6x10mm)	2
43	DDMA-43	Bolt (6x40mm)	1
44	DDMA-44	Motor (110V-60Hz)	1
45	DDMA-45	Gearbox Washer (4mm)	1
46	DDMA-46	Screw (4x6mm)	8
47	DDMA-47	Gearbox Drive Shaft	1
48	DDMA-48	Stop Ring (30mm)	1

# Gearbox and Motor Assembly Parts List



# Assembly Instruction



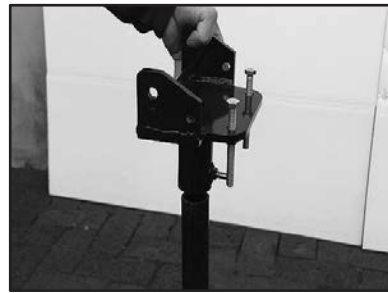
**Step 1**  
Install Wheels on Lower Frame Unit



**Step 2**  
Put on Washer and Snap on R-clip.



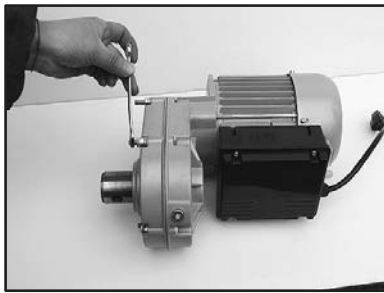
**Step 3**  
Insert Draw Bar into Main Frame.



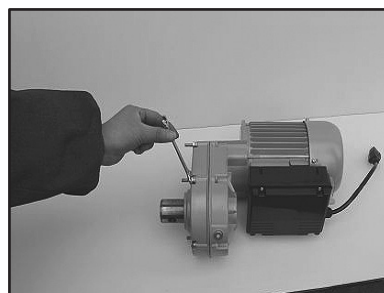
**Step 4**  
Put on Swivel Bracket to Main Frame.



**Step 5**  
Put in Bolt to Hold Main Frame to Draw Bar.



**Step 6**  
Take off the Four Outside Nuts and Spring Washer.



**Step 7**  
Check Inside Nut, so They are Tight.



**Step 8**  
Connect Gear Motor Mounting Base to Swivel Bracket Using the Pivot Pin.



**Step 9**  
Install Gear Motor with the Nuts and Washers. They were removed before



**Step 10**  
Install Front Dump Handle.



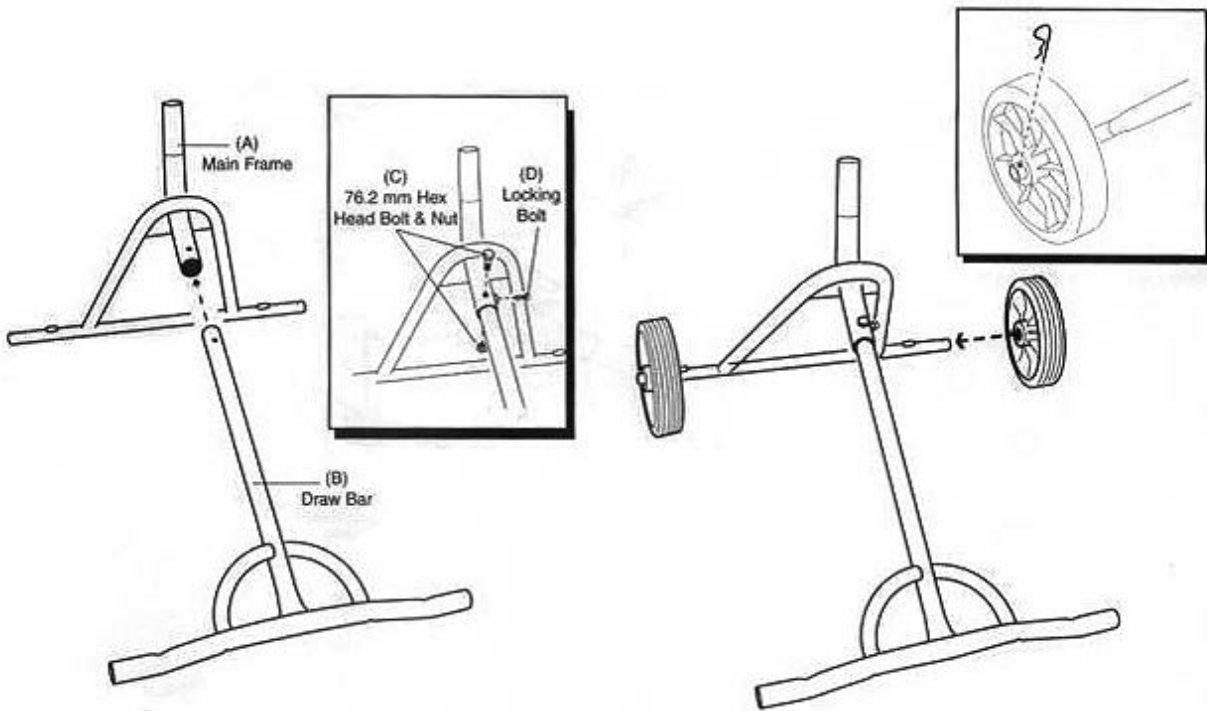
**Step 11**  
Install the Back Dump Handles if Desire For Your Operation.

## Step. 1

### Main Frame

Place the main frame (A) on a level surface. Insert the draw bar (B) into the main frame. Secure with the 76.2 mm hex head bolt and nut (C) on top (A), and the locking bolt (D) to the side (B). (Use the open wrench provided).

**Wheels** - Slide the wheels onto the main frame bar and secure with cotter pins.



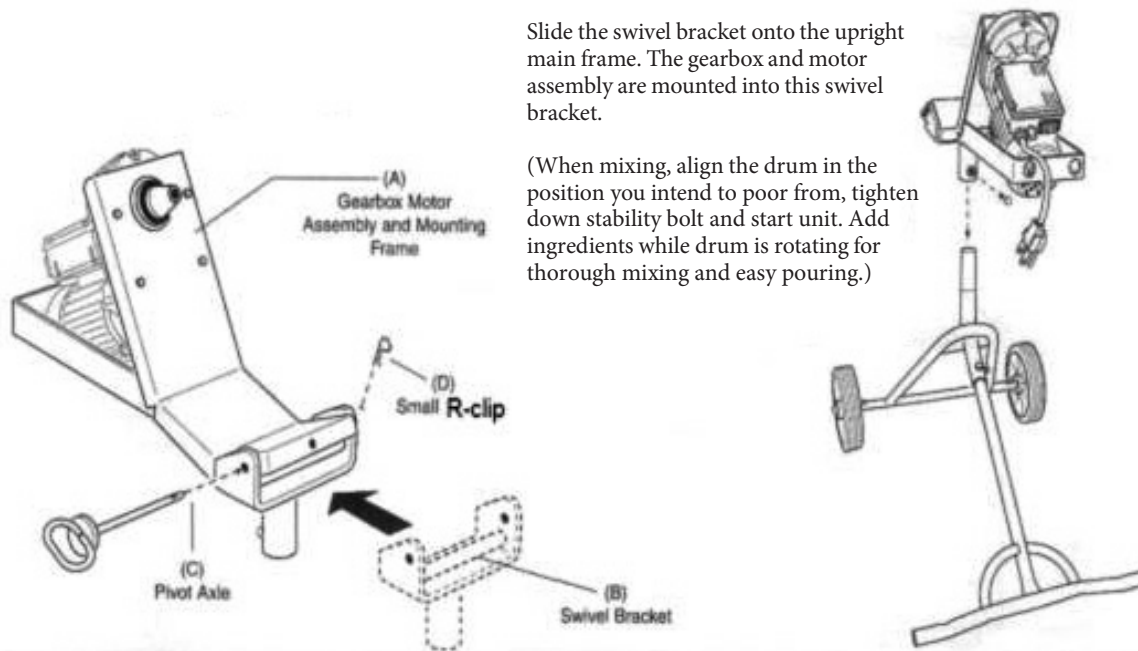
## Step. 2

### Gearbox & Motor Assembly

Fit the gearbox motor assembly and mounting frame (A) into the swivel bracket (B) with the pivot axle (C). Slide the cotter pin (D) through the pivot axle hole.

Slide the swivel bracket onto the upright main frame. The gearbox and motor assembly are mounted into this swivel bracket.

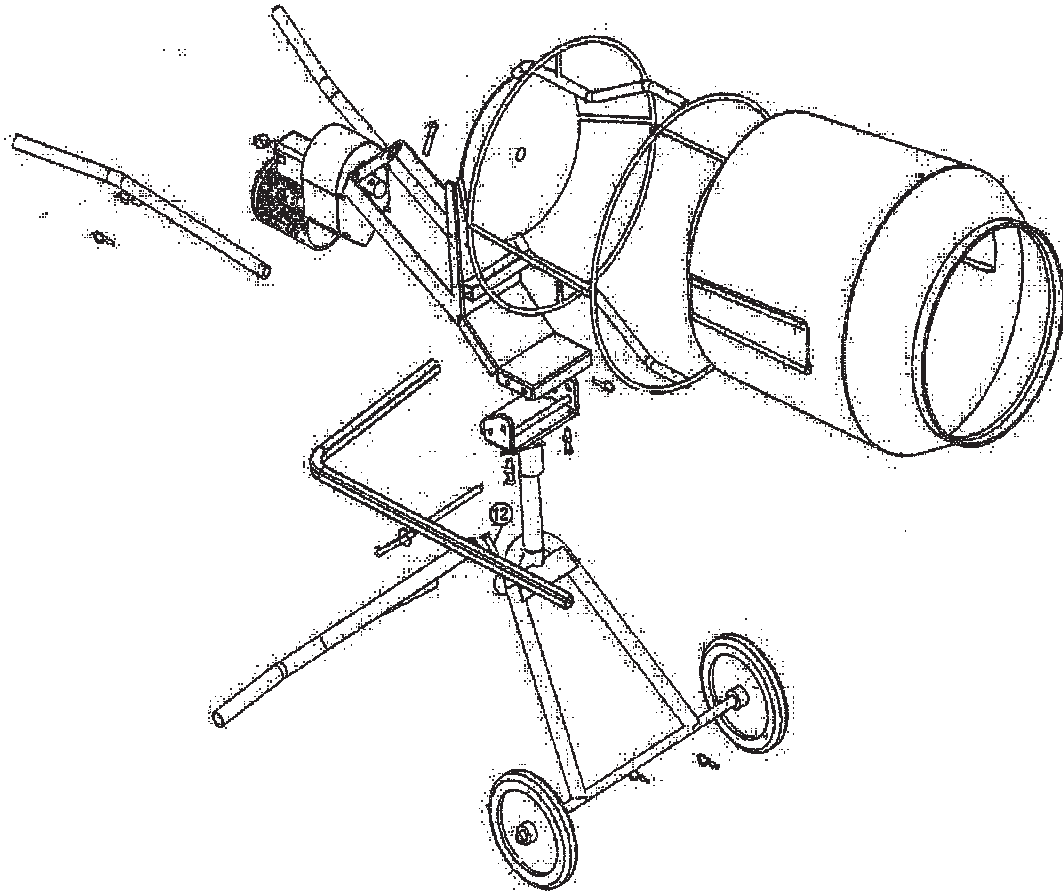
(When mixing, align the drum in the position you intend to pour from, tighten down stability bolt and start unit. Add ingredients while drum is rotating for thorough mixing and easy pouring.)





Step. 3

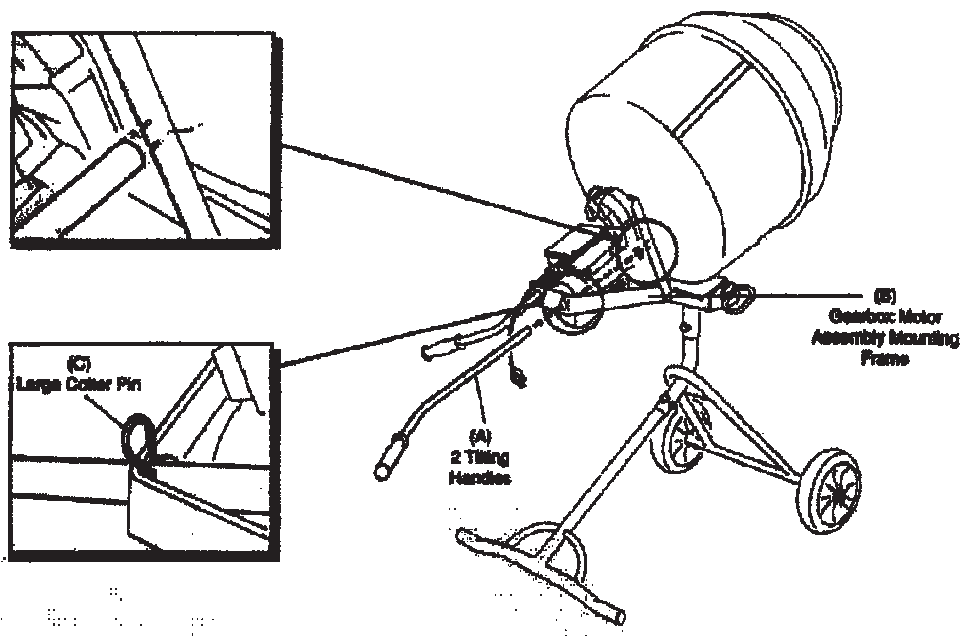
## Mounting the Mixing Drum



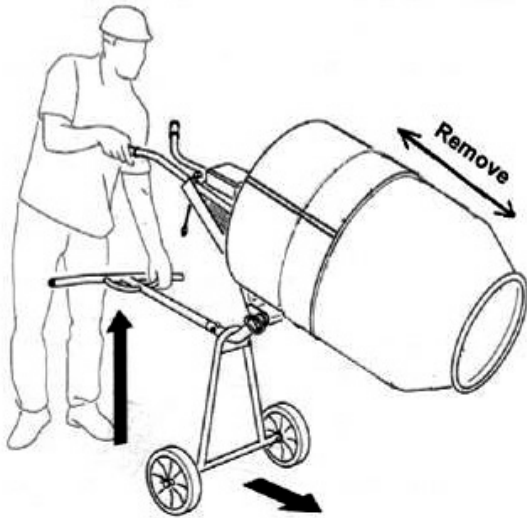
Step. 4

## Tilting Handle

Finally, insert both tilting handles (A) in the gearbox motor assembly mounting frame (B) (as shown) and lock using the cotter pin (C)



Disconnect the power cord. Hold the support leg and dump handle and move as shown below. Make sure there is no material in the drum.



*When tilting the drum to pour material, do so in a very smooth manner. This keeps the mixer balanced and upright.*

## Maintenance and Cleaning

### Disconnect the power cord

1. Clean thoroughly after each use. Remove all material from the mixer.
2. Lightly grease all moving parts.
3. Keep the motor cooling fins clean and free of buildup.
4. When cleaning the mixer, wipe the On/Off switch assembly and motor with a damp cloth. Do not spray water directly onto this area. Protect motor and switch assembly from rain.



1. Position the mixer on a level surface. (NOTE: Maximum slope is 5 degrees. Before filling the drum, make sure the mixer can empty into a wheel barrow).
2. Use a 3 prong, grounded, 110V/120V power connection. Although the minimum gauges are listed below, we recommend that a 14 gauge (AWG) wire be used for all lengths.

Cord Length (total feet)	25	50	100	150
AWG (wire gauge Bolts)	18	16	16	14
Volts	120			
Amphere Rating	0-6			

3. While the drum is rotating add water, material and aggregate. Secure the stability bolt prior to drum rotation.
4. To pour the material, elevate the dump handle while the drum is rotating.
5. In the event of overheating and your motor shuts down, turn off the On/Off switch and unplug the unit for 15 minutes. After the cooling period, plug in the unit and press the **Manual Reset Thermal Protector button**, then the On/Off switch to on.

# Kushlan Products

# Limited Warranty Policy

Kushlan Products makes every effort to assure that its products meet high quality and durability standards and warrants to the original retail consumer purchaser of our products (you) that each such product be free from defects in materials and workmanship as follows:

ONE (1) YEAR limited warranty on motors. This warranty covers replacement of parts found to be defective in material or workmanship for a period of 90 days from the date of purchase. This warranty does not apply to typical replacement of parts or assemblies that fail as a consequence of normal wear and tear, for example bushings, tires, belts, and pinion gears.

This warranty does not apply to defects due, directly or indirectly, to misuse, abuse, negligence or accidents. Repairs or alter actions outside our facilities or the lack of maintenance .WE LIMIT ALL IMPLIED WARRANTIES TO THE PERIOD SPECIFIED ABOVE FROM THE DATE OUR PRODUCT WAS PURCHASED AT RETAIL .EXCEPT AS STATED HEREIN. ANY IMPLIED WARRANTIES OF MERCHANTABILITY AND FITNESS ARE EXCLUDED. SOME STATES DO NOT ALLOW LIMITATIONS ON HOW LONG THE IMPLIED WARRANTY LASTS. SO THE ABOVE LIMITATION MAY NOT APPLY TO YOU. WE SHALL IN NO EVENT BE LIABLE FOR DEATH, INJURIES TO PERSONES OR PROPERTY OR FOR INCIDENTAL, CONTINGENT, SPECIAL OR CONSEQUENTIAL DAMAGES ARISING FROM THE USE OF OUR PRODUCTS. SOME STATES DO NOT ALLOW THE EXCLUSION OR LIMITATION OF INCIDENTAL OR CONSEQUENTIAL DAMAGES, SO THE ABOVE LIMITATION OR EXCLUSION MAY NOT APPLY TO YOU.

To take advantage of this warranty, the product or part must be returned for examination, postage prepaid. To Kushlan Products. Proof of purchase date and an explanation of the complaint must accompany the merchandise. If our inspection discloses a defect, we will either repair or replace the product, at our election or we may elect to refund the purchase price if we cannot readily and quickly provide you with repair or replacement, if you are willing to accept such refund. We will return the repaired product or replacement at our expense, but if we determine there is no defect, or that the defect resulted from causes not within the scope of our warranty, then you must bear the cost of storing and returning this product. This warranty gives you specific legal rights, and you may also have other right which vary from state to state. For service, contact Kushlan Products 10601 S. Sam Houston Parkway W., #140 Houston, Tx. 77071 (281) 313-2506.



# Attention:

This motor is shipped with break-in grease.  
Before 1<sup>st</sup> use, fill with 8 ounces of 75W-90 gear lube.

# Atención:

Este motor viene con grasa de rodaje.  
Antes de usar 1, llene con 8 onzas de lubricante de engranajes de 75W-90.

# Attention:

Ce moteur est livré avec de la graisse de rodage.  
Avant l'ère utilisation, remplir avec 8 onces d'75W-90 lubrifiant engrenage.