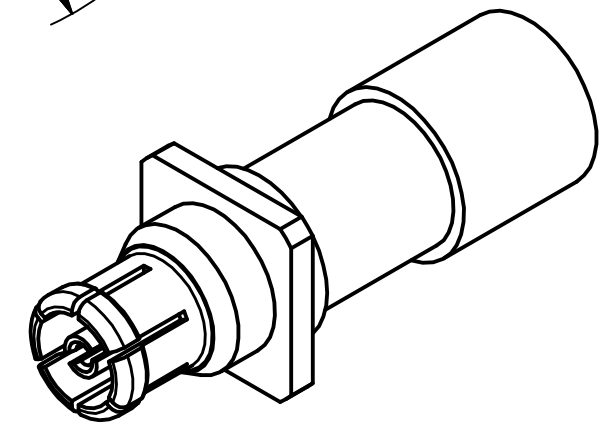
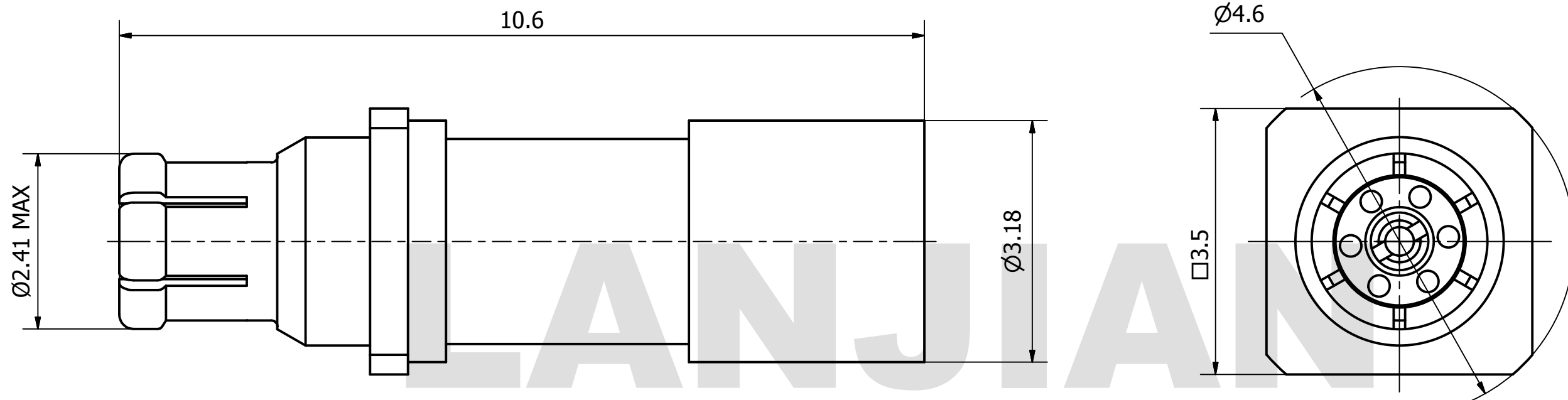


PRODUCT DATA SHEET



MATERIAL:
 BODY: BERYLLIUM COPPER PER ASTM B196.
 ALLOY NO. UNS C17300
 CONTACT: BERYLLIUM COPPER PER ASTM B196.
 ALLOY NO. UNS C17300
 INSULATOR: PEI

PERFORMANCE:
 IMPEDANCE: 50 OHMS
 FREQUENCY: DC TO 65 GHz
 VSWR: ≤ 1.50

THIS DOCUMENT CONTAINS CONFIDENTIAL AND PROPRIETARY INFORMATION THAT CANNOT BE REPRODUCED OR DIVULGED, IN WHOLE OR IN PART, WITHOUT WRITTEN AUTHORIZATION FROM "LANJIAN ELECTRONICS"	MATERIAL :			LANJIAN ELECTRONICS 38 Hengtong Road, Xinqu Dingmao Zhenjiang, 212009, Jiangsu, P. R. China		
	UNLESS OTHERWISE SPECIFIED: DIMENSIONS IN MM					
	TOLERANCES :			TITLE SMPM-KJ-1 straight adaptor		
	X.X	± 0.20	ANGULAR : $\pm 1^\circ$			DEBURR AND BREAK SHARP EDGES
	X.XX	± 0.10	FILLETS R/C : ± 0.10			
	X.XXX	± 0.01	SURFACE FINISH : Ra 1.6			
	NAME	DATE	SIGNATURE	DWG No. GCPZ3.640.H.002-1 DO NOT SCALE THE DRAWING		
DRAWN						
CHK'D						
APPV'D						
MFG				REV. SCALE 16 : 1 PAGE 1 / 1		
PROJECTION		SIZE	SCALE			
		A3	16 : 1			