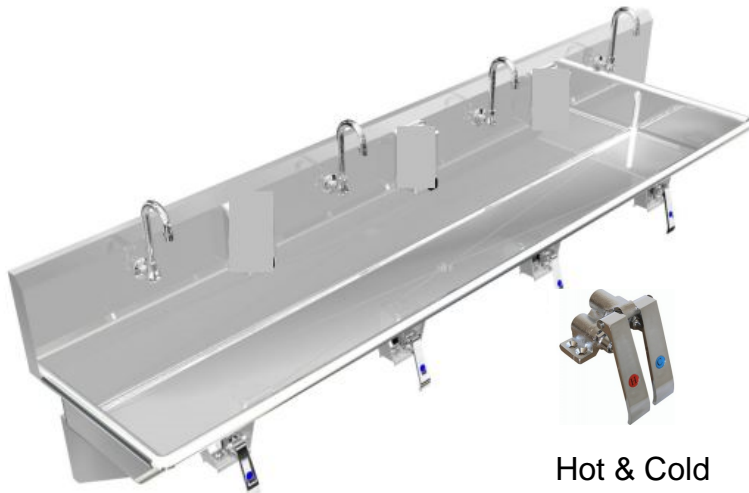


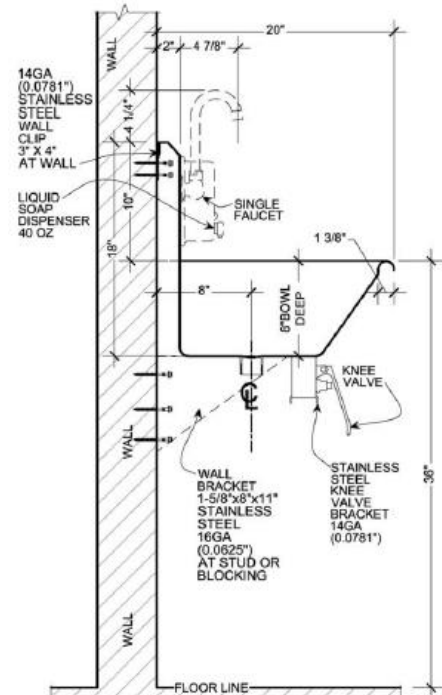
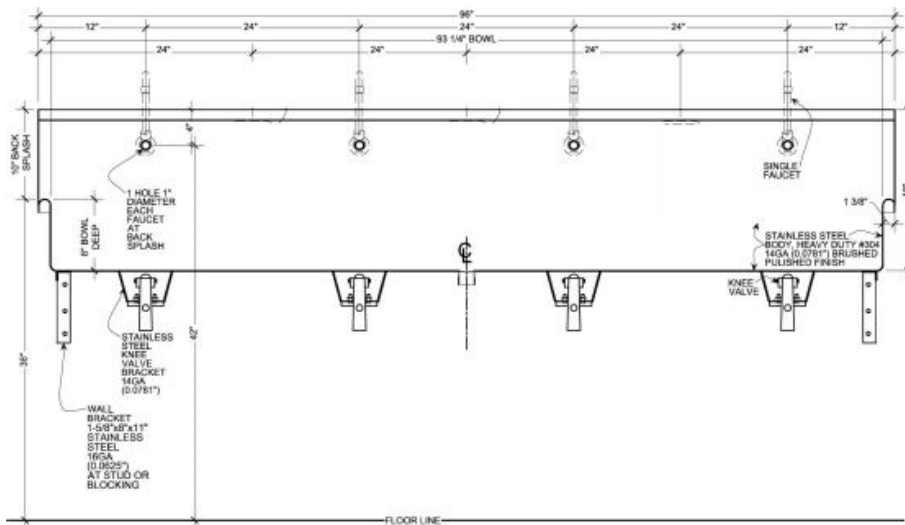
Wicketts Stainless

SPECIFICATION

Commercial Sink Heavy Duty
Wash Up Sink



Hot & Cold



Model Number	A	B	C	D	F
WWT-9620-K-WB	96	20	93	8	10

Engineering Specification:

14 gauge, type 304 stainless steel wash sink. 1 3/8" rolled rims. 1 1/2" welded in drain. Exposed surfaces polished to a satin finish. Supported on (2) wall brackets and clips.

Wicketts Stainless, LLC
2618 San Miguel Dr. Bldg. # 376
Newport Beach, CA 92660
T. 951-858-2548
F. 951-638-9059
sales@wickettsstainless.com
www.wickettsstainless.com



Approved for Manufacturing
Company: _____
Signature: _____
Print: _____ Date: / /