



BG60 Bore Gauge



Workpiece Measurement



Radio Transmission



Wear-Free Measuring Mechanism



Mass Production



Diameter Measurement



Bore Gauge **BG60**

BLUM
focus on productivity



BG60 | Bore Gauge | Tactile workpiece measuring system with BRC radio transmission

Highly precise solution for in-process measurement of bore diameters in mass production

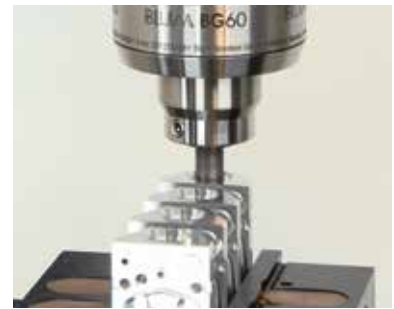
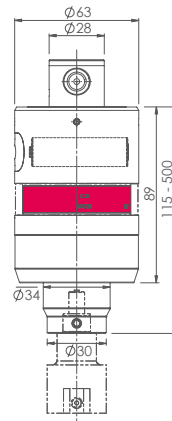
- Automatic measurement of bores (> 3 mm)
- Instant process control due to calculation of tool compensation values
- Machine-independent measuring system

Your benefit:

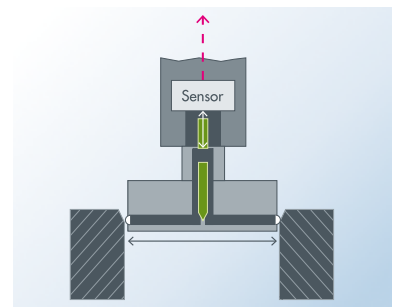
- Extremely fast measurement
- Float principle provides accurate diameter even when machine is not perfectly positioned in bore center
- No-wear, optoelectronic measuring mechanism
- Easy pairing procedure between BG and receiver
- Use of up to 16 measuring systems with one receiver
- Elimination of costly post-process measuring station
- High production quality & increased productivity

BRC Radio Technology

Sequential use of up to 16 measuring systems with one radio receiver.



Diameter Measurement with BG60



Measuring system with float principle

Technical data

Protection class	IP67
Resolution	12 Bit / 0,15 µm
Linearity	1 % of the measuring range
Collision protection: max. overtravel	Z: 6 mm X/Y: 6°
Max. feed	without limiting
Max. acceleration	20 m/s ²
Signal transmission	Radio (BRC Technology)
Frequency band	2,4000 – 2,4835 GHz
Transmission power	0 dBm
Operating range	15 m
Battery (2 pieces)	Saft Lithium LS14500 (AA 3,6V)
Mass	1,2 kg bis 1,5 kg (depending from type)
Tool holder	BTH 50 (HSK, SK, BT, VDI, ...)
Storage/Operating temperature	-20 °C ... +70 °C +5 °C ... +50 °C



Process control & logging with IF48



focus on productivity

Blum worldwide Service & Support

More than 40 subsidiaries and service offices.

www.blum-novotest.com

Blum-Novotest Ltd.

33 Townfields
Lichfield, Staffordshire
WS13 8AA, United Kingdom

Phone: +44 1543 257111

Fax: +44 1543 251746

E-Mail: info@blum-novotest.co.uk

Blum LMT, Inc.

4144 Olympic Boulevard
Erlanger, KY 41018
USA

Phone: +1 (859) 344 6789

Fax: +1 (859) 344 6799

E-Mail: solutions@blumlmt.com