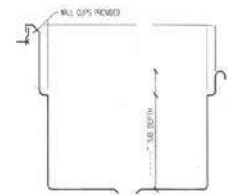
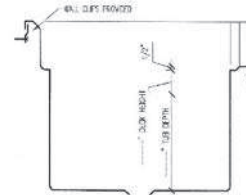
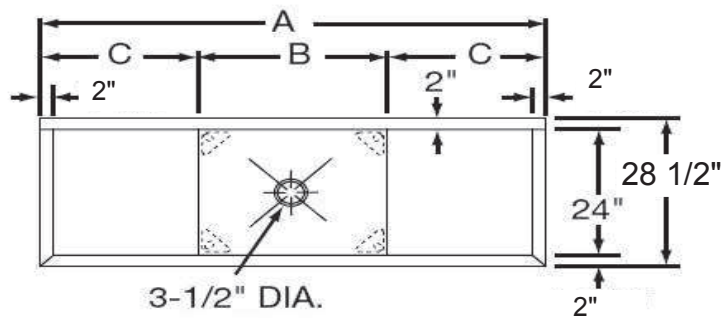


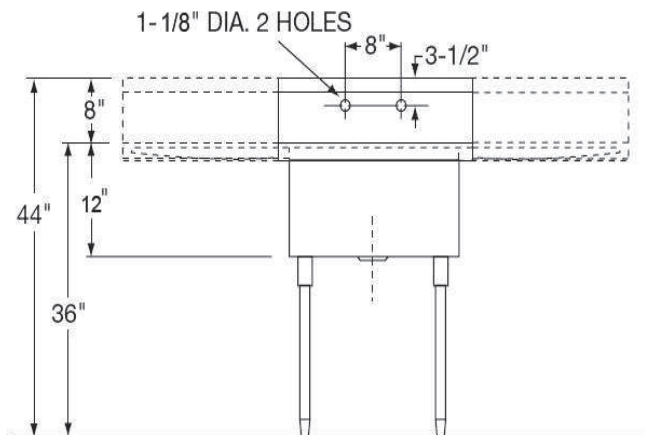
# WICKETTS STAINLESS

## SPECIFICATION

Commercial Sink Heavy Duty  
One Compartment  
Double Drain Board



Model Number	A	B	C
WCS 4115-LR	48	15	15
WCS 4118-LR	57	18	18
WCS 4124-LR	75	24	24
WCS 4130-LR	81	30	24
WCS 4136-LR	87	36	24
WCS Custom			



### Engineering Specification:

14 gauge, type 304 stainless steel scullery sink. 12" deep construction. 8" high backsplash . marine or rolled Edge. Exposed surfaces polished to a satin finish. Supported on (4) stainless steel, 1-5/8" O.D. tubular legs, Adjustable bullet feet.

WICKETTS STAINLESS, LLC.  
2618 San Miguel Dr. Bldg. #376  
Newport Beach, CA 92660  
Tel: 951-858-2548  
Fax: 951-638-9059  
Sales@wickettsstainless.com  
www.wickettsstainless.com



Approved for Manufacturing  
Company: \_\_\_\_\_  
Signature: \_\_\_\_\_