

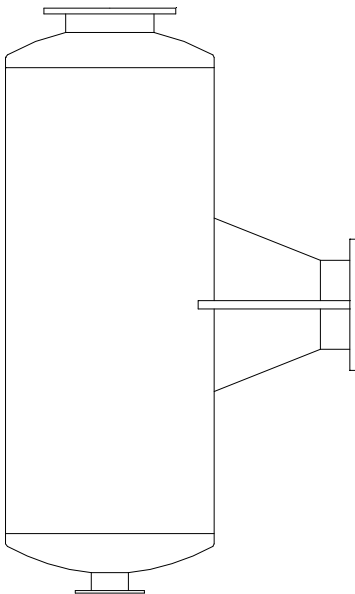
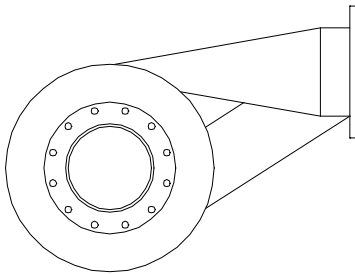
Model 185 Inlet Separator

Standard Features:

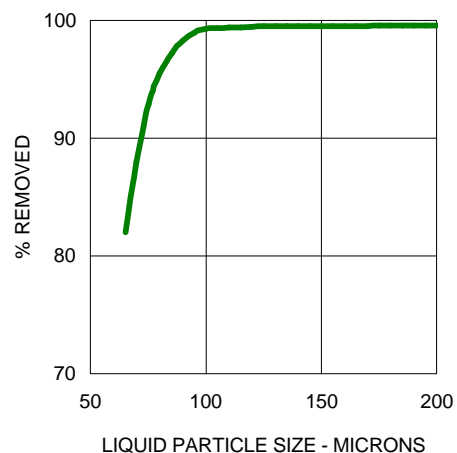
- ✓ All Steel Welded Construction
- ✓ Quality Fabrication Techniques
- ✓ Plate Flanges to Match ASA 125# Flanges
- ✓ Prime Coated Exterior Surfaces

Optional Features:

- ✓ Materials as Specified
- ✓ Finish as Specified
- ✓ Threaded Connections
- ✓ Companion Flanges
- ✓ Inspection Openings or Man Ways
- ✓ Flange Drilling as Specified

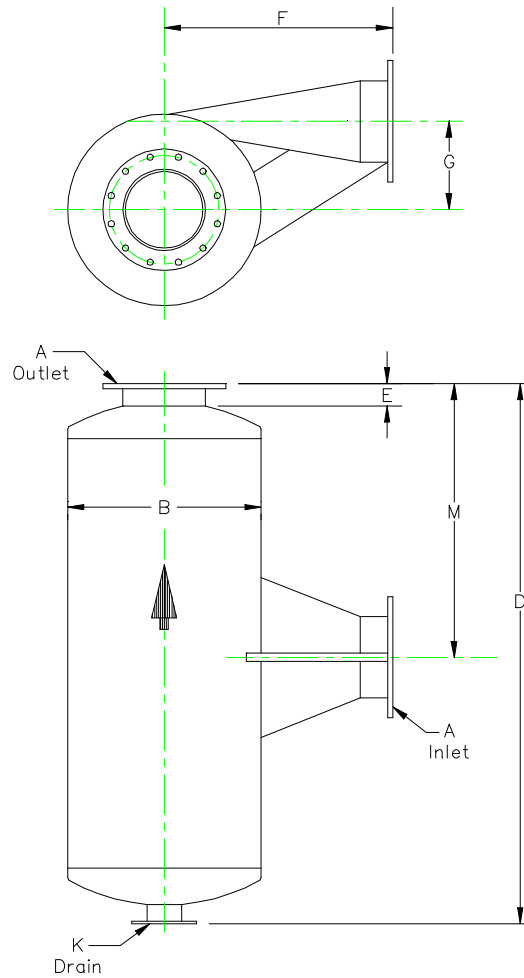


TYPICAL SEPARATION EFFICIENCY



Application:

The **VANEC** Model 185 Separator is designed for use on the inlet of liquid sealed, vacuum pumps. It separates the process liquid from the gas stream.



VANEC Model 185

Model	Dimensions in Inches								Est.Wt. Lbs.
	A	B	D	E	F	G	K	M	
185-04	4	12	52	3	13 ½	5 5/8	2	19 ½	100
185-05	5	16	58	3	14 ½	7 1/8	2 1/2	23 ½	140
185-06	6	18	66	3	18	8	3	30	190
185-08	8	22	78	3 1/2	22	9 ¾	3 1/2	36	270
185-10	10	24	85	3 1/2	24	10 ½	4	37	430
185-12	12	30	97	3 1/2	31 ½	13 ¼	5	45	750
185-14	14	36	105	3 1/2	36 ½	16	6	47	1,000
185-16	16	42	114	3 1/2	41 ½	18 9/16	6	50	1,600
185-18	18	42	135	3 1/2	47	18 7/16	8	68	1,900
185-20	20	48	138	4 1/2	52	21 1/8	8	66	2,300
185-22	22	54	149	4 1/2	57	23 7/8	10	70	2,800
185-24	24	60	158	4 1/2	62	26 5/8	10	74	3,750

VANEC Industrial Silencers
716-827-4959