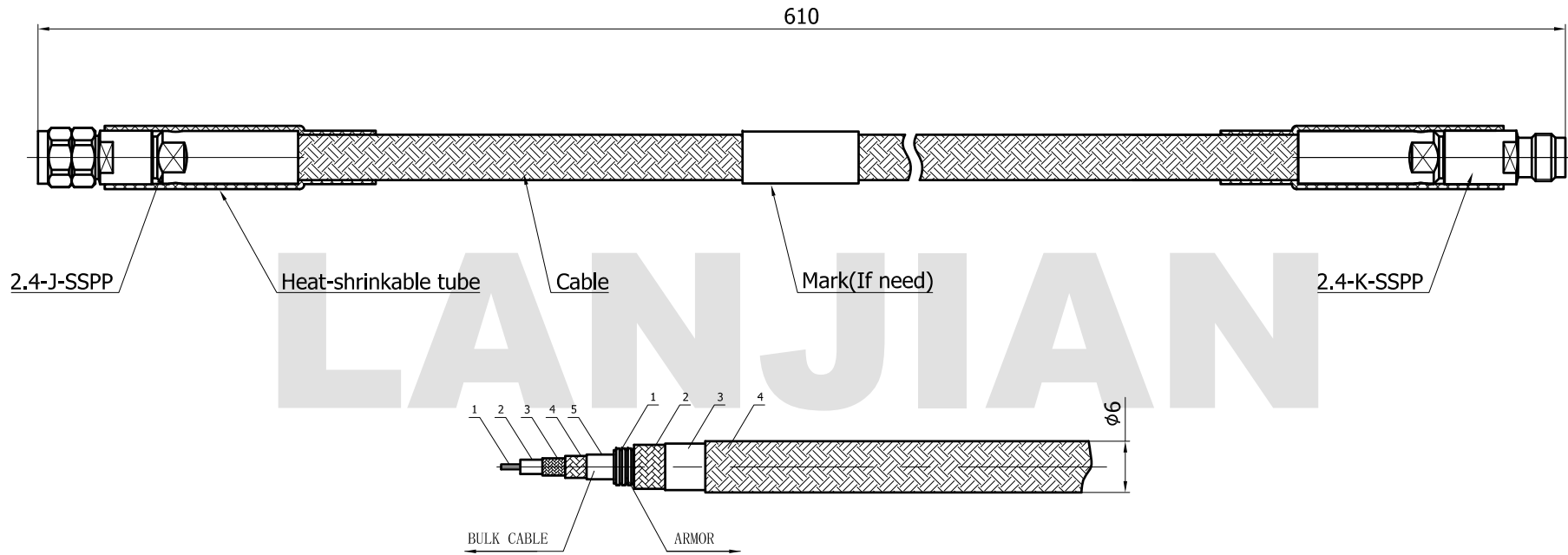


PRODUCT DATA SHEET



MATERIAL:

BODY: STAINLESS STEEL
 CONTACT: BERYLLIUM COPPERBRASS
 INSULATOR: PEI

PERFORMANCE:

IMPEDANCE: 50 OHMS
 FREQUENCY: 50GHz
 VSWR: ≤1.30

THIS DOCUMENT CONTAINS CONFIDENTIAL AND PROPRIETARY INFORMATION THAT CANNOT BE REPRODUCED OR DIVULGED, IN WHOLE OR IN PART, WITHOUT WRITTEN AUTHORIZATION FROM LANJIAN ELECTRONICS	MATERIAL :			LANJIAN ELECTRONICS 38 Hengtong Road, Xinqu Dingmao Zhenjiang, 212009, Jiangsu, P. R. China
	UNLESS OTHERWISE SPECIFIED: DIMENSIONS IN MM			
	TOLERANCES :			
	X.X	±0.20	ANGULAR : ±1°	DEBURR AND BREAK SHARP EDGES
	X.XX	±0.10	FILLET'S R/C : ±0.10	
	X.XXX	±0.01	SURFACE FINISH : Ra 1.6	
		NAME	DATE	SIGNATURE
	DRAWN	X.C.W	10/28/2020	
	CHK'D	H.Z.Y	10/28/2020	
	APPV'D	H.Z.Y	10/28/2020	
MFG				
PROJECTION		SIZE	SCALE	
		A3	3:1	
DO NOT SCALE THE DRAWING			REV. A PAGE 1 / 1	

LANJIAN ELECTRONICS
 38 Hengtong Road, Xinqu Dingmao
 Zhenjiang, 212009, Jiangsu, P. R. China

TITLE
Z3507SSPP-2.4J/2.4K-610
 cable assembly

DWG No. _____ REV. **A**
 PAGE 1 / 1