



Shield Fall Protection

Be Safe, Shield Yourself

RP209.2 Small Pip-pin Ropegrab

Data Sheet



climb. work. rescue.

I|S|C

SOLUTIONS IN METAL

The RP209 Ropegrab is fitted with a pip-pin axle, making it quick and easy to attach/detach mid-line. A thumb operated push-button is used to disengage the Pip-pin mechanism and the axle has a chamfered end, to allow for easy location of the pin.

The RP209.2 model has a textile Pip-pin retention cord, (rather than a wire cord). The textile cord allows for easy manoeuvring of the pin and does not snag, or wear with sharp edges.

Height	85mm (3 11/32")
Width	65mm (2 9/16")
Pip-pin Length	62mm (2 7/16")
Attachment Hole Diameter	19mm (3/4")
Weight	180g (6oz)
Rope Size	10.5-13mm (3/8-1/2")
Body Material	Aluminium
Finish	Anodised
MBS	Dependant on rope
Standards	EN353-2



Shield Fall Protection

Be Safe, Shield Yourself

RP205.2 Large Pip-pin Ropegrab

Data Sheet



www.shieldfallprotection.com

climb. work. rescue.

I|S|C

SOLUTIONS IN METAL

The RP205 Ropegrab is fitted with a pip-pin axle, making it quick and easy to attach/detach mid-line. A thumb operated push-button is used to disengage the Pip-pin mechanism and the axle has a chamfered end, to allow for easy location of the pin.

The RP205.2 model has a textile Pip-pin retention cord, (rather than a wire cord). The textile cord allows for easy manoeuvring of the pin and does not snag, or wear with sharp edges.

Height	99mm (4")
Width	98mm (4")
Pip-pin Length	67mm (2 7/16")
Attachment Hole Diameter	23mm (1")
Weight	302g (11oz)
Rope Size	14-16mm (9/16-5/8")
Body Material	Aluminium
Finish	Anodised
MBS	Dependant on rope
Standards	EN567



Shield Fall Protection

Be Safe, Shield Yourself

RP500 Rocker™

Data Sheet



www.shieldfallprotection.com



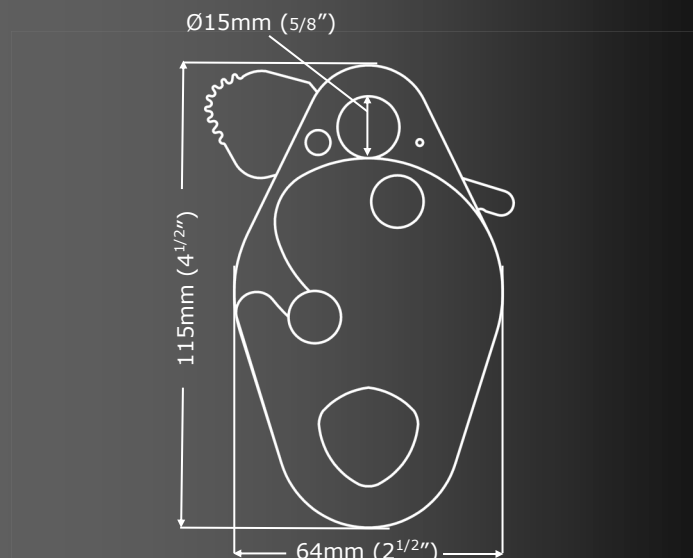
The Thumbcatch allows Rocker™ to be 'parked' at any position on the rope, for work positioning.

climb. work. rescue.

I/S/C

SOLUTIONS IN METAL

The Rocker™ can be fitted to the rope at any point and can be used hands-free when travelling up or down the rope. The Rocker™ is designed for use without a shock-absorber or on a work positioning lanyard/flipline, (in accordance with EN358).



Weight	170g (6oz)
Body Material	Aluminium
Finish	Anodised
Rope Size	10.5- 12.7mm (3/8"- 1/2")
MBS	Dependant on rope type



Shield Fall Protection

Be Safe, Shield Yourself

RP892 Red™ Back-up Device with Popper™ Tow Cord

Data Sheet



www.shieldfallprotection.com

Popper™ Tow Cord Release Clip



The Popper™ Tow Cord device has a breakaway clip, which provides a secondary attachment point for the tow cord. When used during normal positioning activity, this secondary attachment point allows the user to tow the device directly downwards. In a panic situation the clip should release under force.

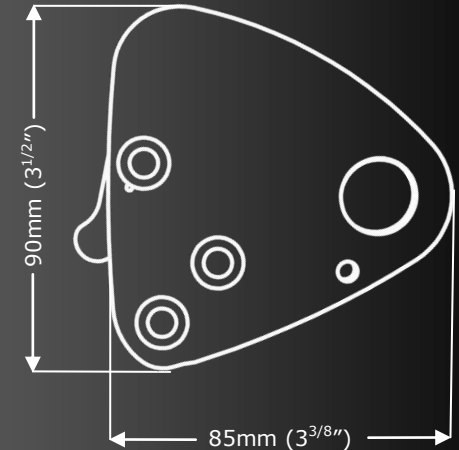


climb. work. rescue.

I|S|C

SOLUTIONS IN METAL

The RED™'s cams have a positively locking spring which means the device is self-parking rather than self-tailing. This is important for Rope Access work techniques as they require the back up device to be positioned so as to reduce fall factors to a minimum.



Weight	210g (7oz)
Body Material	Aluminium (Anodised)
Cam Material	Aluminium (Hard Anodised)
Rope Size	10.5- 11.0mm (3/8 -7/16")
Rated Capacity	140kg (310lbs)
Rescue (2 persons)	240kg (530lbs)
Standards	CE EN 12841 ANSI Z359.1



Shield Fall Protection
Be Safe, Shield Yourself

RP890 Red™ Back-up Device (no cord)

Data Sheet

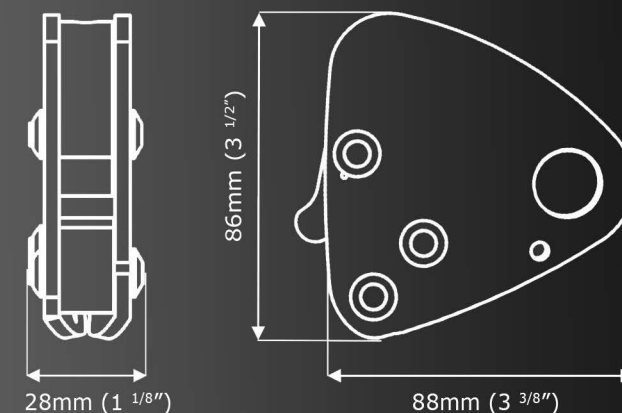


The RED™ makes use of 'Rotational Braking' which means that the more the device rotates clockwise the more friction is built up and this provides an automatic brake even in the event of a sudden pull on the cow's tail.

climb. work. rescue.

I|S|C
SOLUTIONS IN METAL

The RED™'s non-aggressive cams have a positively locking spring which means the device is self-parking rather than self-tailing. This is important for Rope Access work techniques as they require the back-up device to be positioned so as to reduce fall factors to a minimum.



Average weight	202g (7.12oz)
Rated capacity	240kg (529lb)
Rope diameter	10.5-11mm (3/8")
Attachment hole	18mm (3/4")
Body material	Aluminium
Cam material	Aluminium
Finish	Anodised
Standards	CE EN 12841



Shield Fall Protection

Be Safe, Shield Yourself

RP892 RED™ Back up Device with

Popper™ Tow Cord
Stainless Steel

Data Sheet

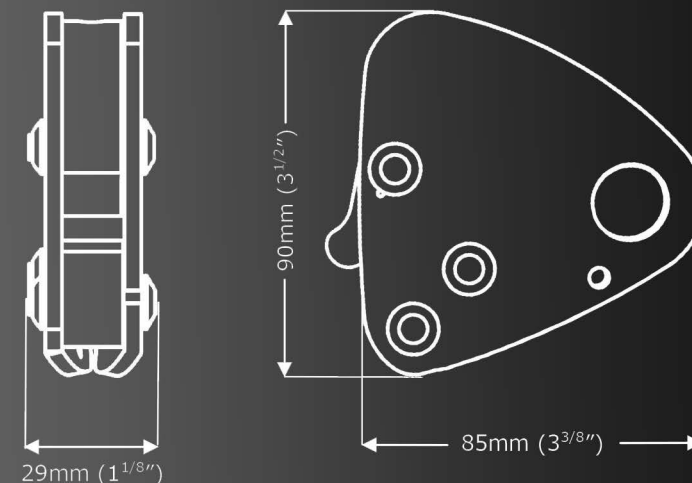


climb. work. rescue.

I|S|C

SOLUTIONS IN METAL

The RED™'s cams have a positively locking spring which means the device is self-parking rather than self-tailing. This is important for Rope Access work techniques as they require the back up device to be positioned so as to reduce fall factors to a minimum.



Popper™ Tow Cord Release Clip



The Popper™ Tow Cord device has a breakaway clip, which provides a secondary attachment point for the tow cord. When used during normal positioning activity, this secondary attachment point allows the user to tow the device directly downwards. In a panic situation the clip should release under force.

Average weight	414g (14.6oz)
Body Material	Stainless Steel (Polished)
Cam Material	Aluminium (hard anodised)
Rope Size	10.5-11.0mm (3/8" - 7/16")
Rated Capacity	140kg (310lb)
Rescue (2 Persons)	240kg (530lb)
Standards	CE EN 12841 ANSI Z359.1