

Assessing Sentiments in One Go: A Monitored Joint Subject Modeling Method

SAI SRI MEGHANA DHARMAPURI¹, P. RAMADEVI²

¹BTech Student, ²Assistant professor,

Dept of CSE, PES Institute of Technology, Outer Ring Rd, Banashankari 3rd Stage, Banashankari, Bengaluru, Karnataka, India.

Abstract- Propose system tend to focus on modeling user-generated review and overall rating pairs and aim to identify linguistics aspects and aspect-level sentiments from review information equally on predict overall sentiments of reviews. We tend to propose a very distinctive probabilistic supervised joint facet and sentiment model (SJASM) touching the problems in one go beneath a unified framework. SJASM represents every review document at intervals the fashion of opinion pairs, and may at the same time model facet terms and corresponding opinion words of the review for hidden side and sentiment detection. It leverages all the sentimental ratings, which often comes with on-line reviews, as direction information, and might infer the linguistics aspects and aspect-level sentiments that aren't of use alone so it is put together predicting overall sentiments of reviews. Moreover, we tend to put together develop economical reasoning methodology for parameter estimation of SJASM supported rolled Gibbs sampling. We tend to evaluate SJASM extensively on real-world review information, and experimental results demonstrate that the planned model outperforms seven well-established baseline methods for sentiment analysis tasks. We build social network computer on users posts withfiles attached.The file topic name is matched with product name then counselled to the user on e-commerce computer.

Keywords- Sentiment analysis, aspect-based sentiment analysis, probabilistic topic model, supervised joint topic model.

I. INTRODUCTION

Online user-generated reviews are of excellent practical use, because: 1) They are an unavoidable component of choice making process of customers on product acquisitions, resort bookings, and so on 2) They together develop an affordable and also reliable respons channel, which aids companies to keep an eye on their track records and also to enhance the top quality of their products and services. In fact, on-line reviews are continuously growing in quantity, while differing mostly in material quality. To support users in absorbing the significant quantity of raw testimonial data, several belief analysis methods have been established for previous years [1]

usually, sentiments and viewpoints can be examined at various degrees of granularity. We call the sentiment shared in an entire item of text, e.g., review file or sentence, general sentiment. The job of examining overall beliefs of texts is normally formulated as category issue, e.g., categorizing a testimonial document into positive or adverse view. Then, a selection of machine learning methods educated using different kinds of indicators (functions) have been employed for total sentiment analysis. Nevertheless, assessing the overall view expressed in an entire piece of text alone (e.g., evaluation paper), does not uncover what especially individuals like or dislike in the message. Actually, the fine-grained sentiments may quite possibly tip the balance in purchase choices. For instance, smart consumers nowadays are no longer satisfied with just overall sentiment/rating given to a product in an evaluation; they are usually anxious to see why it gets that rating, which favorable or adverse attributes (elements) contribute to the particular rating of the product. Recently, there has been an expanding interest in evaluating aspect-level belief, where an element implies a special semantic facet of an entity talked about in message documents, and also is commonly represented as a top-level covert collection of semantically relevant keywords (e.g., aspect terms). Aspect-based sentiment evaluation usually consists of two major tasks; one is to spot covert semantic aspect from given texts, as well as the other is to recognize fine-grained sentiments shared towards the aspects. Probabilistic subject versions, which are usually built on a standard concealed Dirichlet allotment (LDA) model [8], have been used for aspect-based sentiment analysis [where the semantic aspect can be normally developed as an unrealized subject (unexposed variables). To our knowledge, most bulk of existing probabilistic joint topic-sentiment (or sentiment topic) designs are unsupervised or weakly/partially overseen, suggesting that they primarily version individual produced text content, they have not considered overall ratings or tags of the text files in their structures. Because of this, though they might capture the covert thematic structure of message data, the versions cannot directly forecast the overall sentiments or ratings of text records, rather, they just rely upon document-specific belief circulation to approximate the total beliefs of files.

In addition, previous researches usually deal with total belief analysis as well as aspect-based view evaluation in isolation, and then introduce a variety of techniques to evaluate general beliefs or aspect-level views, yet not both. We observe that there exists natural interdependency in between the aspect-based as well as total belief analysis problems. Particularly, inferring predictive hidden facets and sentiments from message reviews can be practical for predicting general ratings/sentiments of evaluations, while overall ratings/sentiments of message testimonials can offer guidance as well as restraint for presuming fine-grained sentiments on the elements from the evaluations. We believe a carefully made supervised marriage model can take advantage of the interdependency between the two troubles, and support them to boost various other. It is hence vital to analyze aspect-level sentiments as well as total sentiments in one go under a combined framework. In this work, we concentrate on a modeling online customer generated review and also general score pairs. The objective is to identify semantic elements along with aspect-level beliefs from testimonial messages to predict general sentiments of testimonials. Typically, on-line testimonials frequently come with general scores, for instance, one-to-five celebrity ratings, which is normally regarded as a belief tag of the message testimonial. This proof offers good possibility to create monitored joint topic version for aspect-based, total view evaluation troubles. Instead of making use of a bag-of-words representation which is normally adopted for handling usual message information (e.g., write-ups), initially we take each message evaluation as a bag of opinion sets, where each viewpoint set contains a facet term and also an equivalent viewpoint word in the review. We prolong the standard LDA version, create a probabilistic joint facet and sentiment structure to model the textual bag-of-opinion-pairs information. Subsequently, we introduce a brand-new supervised discovering layer, on top of the probabilistic subject modeling framework, using regular straight design to jointly catch overall rating information. In addition, we take advantage of weak guidance information based on pre-compiled sentiment vocabulary, which provides sentimental anticipation for the version. Hence, we established a novel supervised joint element and also sentiment model (SJASM) which are able to manage aspect-based sentiment analysis and also general belief analysis in a merged structure. Numerous vital advantages of SJASM stick out in the probabilistic joint topic versions to view evaluation: 1) SJASM can, at once, model element terms and can have equivalent point of view words of each text testimonial for semantic aspect and sentiment detection; 2) It makes use of sentimental general rankings as guidance information. It can also infer the semantic elements and fine-grained aspect-level sentiments that are significant, anticipating general views of reviews 3) SJASM leverages sentiment's previous information. Moreover, it can clearly build the documents in between

discovered sentiments (hidden variables) and also real world view alignments (e.g., positive or adverse). Based upon the collapsed Gibbs sampling method [16], [17], we offer a brand-new effective reasoning algorithm to estimate the criteria for SJASM. We make use of publicly readily available real-world evaluation data to examine SJASM for three regular belief evaluation tasks, i.e., semantic element detection, aspect degree sentiment recognition, and total rating/sentiment prediction. The experimental results show the superiority of SJASM over seven well established standard approaches. Next off, this job has made the complying with main contributions: - This work provides a new supervised joint topic design called SJASM, which creates the prediction for overall ratings/sentiments of reviews by means of normal linear design based on the inferred surprise elements as well as beliefs in the evaluations. - It develops total sentiment analysis and facet-based sentiment analysis in an unified structure. This enables SJASM to take advantage of the interdependency between the problems, to support the problems. - It offers an in-depth reasoning technique for SJASM based on collapsed Gibbs sampling job, which examines SJASM versus seven representative baseline techniques, as well as experimentally demonstrating the benefits of SJASM over the other for view analysis issues. We provide relevant work to view analysis in Area 2, along with the problem definition in Section 3. We explain the proposed monitored joint subject version SJASM in Area 4, and also derive the detailed inference treatment for the design in Section 5. Area 6 provides the speculative results of the suggested version for sentiment analysis tasks. Section 7 supplies conversations on the proposed model. In Section 8, we conclude this article, as well as existing associated future instructions to this job.

II. LITERATURE WORK

Overall Sentiment Analysis: Notions and feelings can be broken down at various levels of granularity, as well as various sorts of information, e.g., client produced audit information and online life information.

User-generated Review Data: By figuring typically viewpoint evaluation en masse problem, Pain et al. [2] produced controlled versions on basic n-gram material highlights to prepare study records right into favorable or unfavorable suppositions. Furthermore, to maintain an estimate classifier from taking into consideration non-abstract sentences, Pain and also Lee [16] made use of a subjectivity locator to look via non-emotional sentences of each audit, the classifier is later attached around subjectivity eliminates for idea projection. An equivalent two-organize technique was similarly recommended in [3] for record degree viewpoint examination. A selection of highlights (reminders) has been examined for as a whole idea characterization tasks. Zhao et al. [4] used a contingent approximate areas based version to combine rational dependence with name constraint highlights

for sentence-level supposition characterization, while Yang and Cardie [7] merged lexical talk imperatives at intra-/ in between sentence degree through a relative version for the concern. Liu and also Seneff [10] mistreated semantic word escalating as well as refutation highlights using a parse-and-reword method to expect the presumptions of thing audits. Paltoglou and also Thelwall [11] analyzed information recuperation associated highlights as well as weighting prepare for verdict characterization. Unique type of embeddings obtained from study data has been used for point of view evaluation. Maas et alia, suggested without supervision probabilistic version to discover word embeddings because of the embeddings of words turning up in provided studies, they prepared a guided setup design to handle the concept exam duties at both document and sentence degrees. Socher ET alia mistreated dynamic frameworks and also compositional semiotics using recursive auto-encoders version to make sentence embeddings. Furthermore, he created a handled organizing design on the sentence embeddings for viewpoint projection. Apart from material studies, Flavor et alia took consistent customers in account and also the embeddings were discovered using bound with each other user product neural system display screen for final thought plan of audit records.

Social Media Data: Point of view examination of internet-based life details, example tweets on the internet journals, conversations etc. are a wide factor to consider, which can be possibly viewed as supposition assessment at record or sentence degree. Abbasi et al. [3] initially picked facility as well as syntactic highlights through entropy heavy genetic strategy, and later, he carried out a plan on the highlights for feelings assumption in Internet conversations. To explore typically verdicts of blog site (as well as study) archives, Melville et al. [5] integrated foundation/earlier lexical understanding depending on a pre-gathered estimate thesaurus right into a controlled merging multinomial web content organizing version. Hu et al. [5] signed up with nostalgic uniformity and also passionate infection with routed knowing for sensation group in little range blog writing. In reality, customers produced study information, which on a regular basis go along with noted typically evaluations (e.g., one-five celebrity analyses), on-line life location has been experiencing the lack of high quality called information or data. Paltoglou as well as Thelwall suggested a not being watched thesaurus built method for estimate plan relative to Twitter, MySpace, as well as Digg. Tan et alia used social connection details regardless of constricted significant information, as well as developed a semi-administered technique to anticipate the point of views connected in material tweets. Liu et alia liberated 2 setups of material as well as non-content highlights on Twitter arranges, as well as used a two-see co-preparing strategy for semi-regulated finding out just how to team estimates of tweet data. Evaluations and also suppositions can

be also checked out at word or expression degree, where the objective is to predict the presumption polarities of view words or expressions [14], [15], [16] Regardless of, final thought examination at document, sentence, or word degree alone does not discover what exactly people like or hostility in the works. Nowadays, verdicts are connected in a web content, they might think of what specific components of the persistent aspect are referred to, and also which particular concept intros (e.g., favorable or adverse) have been connected in the direction of the point of views in the material.

Aspect-based Sentiment Analysis: Lately, there has been an establishing interest for angle based analysis exam. It is currently referred to as emphasize specific presumption evaluation, where the component is special in regard to the point of view, mostly contrasts to a particular point of view term that is certainly said on in a web content archive.

Structural Tagging Methods: By intending emphasize specific sensation evaluation as a supporting identifying problem, Jin et al. [13] developed a lexicalized shrouded Markov design based on the method to integrate semantic variables (e.g., POS-labels) and sensible indications of words into the successive understanding treatment for viewing highlights (angle terms), verdict words, sensation intros from audits. Li et al. [7] depended upon a successive labeling version based on contingent approximate areas (CRFs) to handle the fine-grained audit examination run-through. Jakob as well as Gurevych [9] made use of the CRFs show for single-space and cross-area consist removal problem. One obstacle of the formerly pointed out versions is that they need extensive range fine-grained marked/labeled study details for design structure, which is remarkably tough to obtain as a basic policy.

Linguistic Methods: Without supervision semantic methods depend upon developing syntactic tenets or dependence instances to adjust to fine-grained viewpoint exam problem. Qiu et al. [8] suggested a syntactic parsing based twofold expansion method to emphasize specific supposition assessment for dependence language [14], they initially identified 8 syntactic standards, and also made use of the requirements to incorporate intelligent word dependence for every study sentence. The offered verdict seeds, thereby iteratively eliminating evaluation words and also the associated highlights, by depending upon the acknowledged syntactic dependence connections. They theorized the point of view polarities on the highlights using heuristic rational evidence based method amidst the repetitive removal procedure. Wu et al. [16] presented an expression dependence parsing strategy to regard highlights, evaluation expressions and the dependence connections in between them. Phonetic techniques are location free, as in the syntactic concepts or dependence styles developed in a room can be immediately linked to an alternating area. However, the methods hold the

results of: 1) the constricted incorporation of the literally identified syntactic standards, and also 2) the daily suggestion of real studies, which frequently include laid-back compound or linguistically unreliable sentences.

III. PROPOSED METHODOLOGY

We reveal on-line customer generated audit and general ranking collections, and plan to differentiate semantic point of views, angle degree verdicts from study messages. Likewise, prepare for mostangles in the study. Customer generated audits are not like the traditional web content records. As an example, when people review a product audit, they routinely appreciate which specific component is used, what evaluation intros (e.g., favorable or adverse) have been interacted on the angles. As opposed to using pack of-words representation, which is normally obtained for preparing normal material documents, we talk to each audit in an all-natural sort of supposition collection, where every sensation set consists of a point of view term and associated words in the study. Probabilistic motive versions, noticeably inert Dirichlet classification (LDA) [8], it is generally used for taking a look at semantic topical framework of material details. In the crucial LDA, we offer an additional angle degree presumption identifying evidence layer, we create a probabilistic joint point of view and a sensation framework to reveal the published sack of-conclusion incorporate details. On-line customer generated studies often go along with normally discussed evaluations (supposition marks), which provides remarkable versatility to produce taken care of marriage subject version. Then, over the established probabilistic framework, we offer one more routed knowing layer with common straight design to equally show the basic ranking details. Due to which we suggest a unique routed joint point of view and a final thought screen (SJASM), which can adjust to the typical dealing and also angle based supposition evaluation problems in one go under a united system.

Supervised Joint Aspect and Sentiment Model: We make the going along with anticipations regarding our recommended SJASM screen: The age for viewpoint verdicts trusts the perspectives. This requires us to create inactive point of views, on which we produce associating evaluation intros. The age for point of view terms are based on the angles, while the age for sensation words depends upon the analysis introductions and semantic viewpoints. The strategy is instinctive, as an example, to produce a sensation word "beautiful"; we need to understand its presumption intro favorable as well as associated semantic angle look. The age for typical assessments of studies trusts the semantic viewpoint degree sensations in the audits because the design suppositions, to develop a study record and its basic ranking, we initially attract concealed semantic viewpoints adjusted on document specific angle appropriation; We then attract the idea intros on the perspectives built on the per archive

viewpoint certain evaluation diffusion; Next off, we attract every evaluation integrate, which has a point of view term along with connecting verdict word, adjusted on point of views along with its specific word transportations; We inevitably attract the basic ranking response based on the generated perspective and concept tasks in the audit record. The visual representation of the suggested SJASM shows is shown up in Number 1. The documents used in the

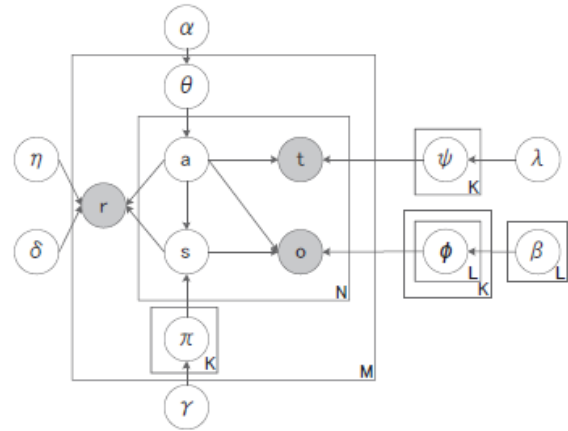


Fig.1: Graphical representation of SJASM

SJASM model are listed in Table 1. Under SJASM, a review document d_m and its overall rating r_m are generated from the following process:

M	Number of review documents in a corpus
N	Number of opinion pairs in a review
K	Number of semantic aspects
L	Number of semantic sentiments
t_{mn}	Aspect term of n th opinion pair in review d_m
o_{mn}	Opinion word of n th opinion pair in d_m
a_{mn}	Aspect assignment to term t_{mn} and word o_{mn}
s_{mn}	Sentiment assignment to opinion word o_{mn}
r_m	Overall rating response of review d_m
θ	Dirichlet distribution over aspects
π	Dirichlet distribution over sentiments
ψ	Dirichlet distribution over aspect words
ϕ	Dirichlet distribution over opinion words
α	Hyperparameter for aspect distribution θ
γ	Hyperparameter for sentiment distribution π
λ	Hyperparameter for aspect word distribution ψ
β	Hyperparameter for opinion word distribution ϕ
η	Overall rating response parameter
δ	Overall rating response parameter
U	Vocabulary of unique aspect words
V	Vocabulary of unique opinion words
a^{-i}	All aspect assignments except for a_i
s^{-i}	All sentiment assignments except for s_i
$N_{m,k}$	Count of words in d_m assigned to aspect k
$N_{m,k,l}$	Count of words in d_m assigned to k and l
$N_{k,u}$	Count of aspect word u assigned to aspect k
N_k	Total count of aspect words assigned to aspect k
$N_{k,l,v}$	Count of opinion word v assigned to k and l
$N_{k,l}$	Total count of opinion words assigned to k and l

For each angle $k \in \{1, \dots, K\}$ 1) Attract viewpoint word transportation $\phi_k \sim \text{Dir}(\alpha)$. 2) For every single evaluation intro $l \in U$ a) Attract belief word appropriation $\phi_{kl} \sim \text{Dir}(\beta)$.

For each and every study d_m as well as its basic ranking r_m 1) Attract angle flow $\phi_m \sim \text{Dir}(\alpha)$. 2) For every single point of view k under audit t_m a) Attract presumption circulation $\pi_{mk} \sim \text{Dir}(\alpha)$. 3) For a supposition integrate $\langle t_{mn}, o_{mn} \rangle$, $n \in \{1, \dots, N\}$ a) Attract perspective job $a_{mn} \sim \text{Mult}(\phi_m)$. b) Reason job $s_{mn} \sim \text{Mult}(\pi_{mamn})$. c) Attract angle term $t_{mn} \sim \text{Mult}(\phi_{mnsmn})$. Keep in mind that z_m mentions the specific regularities of hidden aspects (non-active point of views as well as angles) in the study document d_m , and also is identified as

$$\bar{z}_m = \frac{1}{C} \sum_{n=1}^N (a_{mn} \times (\omega^T \times s_{mn})),$$

Where standardization coefficients are included on inert presumption aspects, and also C indicates standardization stable. Under the system of SJASM, mostly assessing response r_m of study d_m attracted from a common straight version $N(_T_z_m, _)$, where $_$ and also $_$ mention score response specifications. In this common straight design, the covariates contrasts to the speculative regularities of hidden angles as well as verdicts $_z_m$, and also $_$ speaks with the regression coefficients on the empirical regularities. Likewise, the formerly discussed normal straight design can be viewed as an extraordinary circumstances of a summarized straight version (GLM) [50] In GLM, a response variable r is believed to be generated from a details flow in the exponential

$$p(r|\rho, \delta) = h(r, \delta) \exp\left\{\frac{\rho r - A(\rho)}{\delta}\right\}, \quad (1)$$

scattering family, parameterized by $_$ and $_$, where $_$ is normally called regular parameter and is connected to the mean of the conveyance, and delta, known as scattering parameter, is identified with the change of the appropriation. Following [51], in the event that we set $_ = _T_z_m$ for a given survey archive d_m , and substitute the term into Equation 1, at that point we can acquire Equation 2 of GLM for creating by and large appraising r_m of the report, i.e., $r_m \sim \text{GLM}(_z_m, _)$,

$$p(r_m|\bar{z}_m, \eta, \delta) = h(r_m, \delta) \exp\left\{\frac{(\eta^T \bar{z}_m)r_m - A(\eta^T \bar{z}_m)}{\delta}\right\}. \quad (2)$$

The conjecture using GLM can offer flexibility in showing varied type of typical reviewing response of a study archive, whose appropriation can be shown up in the rapid spreading framework. As a basic guideline, a substantial extent of possibility diffusions matter under this framework, consisting of the normal transportation for authentic prestigious response and also binomial appropriation for dual response, and so forth. Each of the diffusions contrasts to a specific decision of $h(r_m; _)$ and also $A(_T_z_m)$. Especially, it is clear to look for normal blood circulation that

$$h(r_m, \delta) = \frac{1}{\sqrt{2\pi\delta}} \exp\left\{-\frac{r_m^2}{2\delta}\right\}$$

and

$$A(\eta^T \bar{z}_m) = \frac{(\eta^T \bar{z}_m)^2}{2}.$$

Plainly, the common criteria of average circulation $_$ as well as $_2$ connect to $_T_z_m$ as well as $_$, independently. The story describing behind the suggested SJASM screen truly consents well with impulses. Essentially, amazing products have various plans of perspectives, e.g., attributes or sectors. The energy nature of specific thing viewpoints might be phenomenal, as well as might lead to different analyses as well as sensations on the angles. Typically experiences as well as analyses on the products would certainly be formed or fallen back on the thing angles as well as their relevant analyses connected in the audits. The regression coefficients mirror the total dedications of the fine-grained perspective certain final thoughts. Besides, offered customer produced study as well as ranking set results, the called typically examinations of audit records can be used as guidance discovering. They as necessary offer useful instructions as well as important on the method of obtaining the substantial and also prescient hidden viewpoints as well as evaluations. Regardless of mostly assessing details, SJASM similarly affects a pre-gathered presumption thesaurus as helpless guidance information, which profits semantic supposition examination, along with provides indisputable communication in between still angle variables as well as real analysis intros (e.g., favorable or unfavorable).

IV. OBSERVATIONS AND RESULTS

Data Sets: We analyzed the recommended SJASM show using openly obtainable customer created audit information from 3 courses, i.e., enjoyment (video game), CD (audio CD), and accommodations. The entertainment and the CD reviews² was collected from Amazon³, the inn reviews⁴ was collected from TripAdvisor⁵. Table 2 shows a couple of understandings of the audit informative collections.

TABLE 2
Statistics of Review Data Sets

Category	Game	CD	Hotel
# of reviews in corpus	2,599	1,632	1,367
# of words in corpus	554,496	292,060	696,327
Vocabulary size	23,809	13,886	21,785
Average # of words/review	213	178	509

Review Data Preprocessing: In preprocessing the audit details, we analyzed all the study documents in every information established using the noteworthy Stanford Parser⁶, which has been in advance showed up to execute well in exercising etymological dependence frameworks of works

virtually communicate. Complying with [47], we viewed the verdict establishes procedure = (t; o) from the analyzed study documents by relying on the coming with dependence relationships, nsubj (plausible topic), dobj (coordinate demonstration), and also amod (detailed modifier). For example, from this CD study, "He has an exceptional audio.", we can view a detailed expression "amod(noise, distinctive)" with the detailed modifier link amod, as well as afterwards concentrate (noise; distinct) as a view suit. Next off, we prolonged the apart setup of evaluation combines by using 2 additional dependence connections neg (cancellation modifier) and also conj (conjunct). For example, in this CD audit, "The outdoors as well as setup are incredibly terrific.", we would certainly initially have the ability to identify a supposition suit (outside; stunning) with making use of the dependence link nsubj, then, we can regard a mix expression "conj(outside, strategy)" using the conjunct link conj, as well as for this reason expand one more analysis incorporate (style; attractive) by using the dependence connections. Next off, for every single among managed diversion, CD, and also lodging study informative collections, we held up 20% of the audit data for screening factor, as well as prepared all the analyzed designs on the remaining 80% of the details.

Semantic Aspect Detection: To start with, we examined the suggested SJASM display screen for concealed semantic point of view area versus pattern versions sLDA, JST, ASUM, and also LARA. As all the analyzed versions supply fragile bunching outcomes, we made a decision the perspective teams that have one of the most remarkable probabilities as the acknowledged angles for provided viewpoint catch phrases. The standards Pooling, SVM, as well as Vocabulary were prevented in this analysis, because they cannot discover the covert topical framework of web content study details.

TABLE 3
Rand Index of Different Models for Semantic Aspect Detection (K=5)

	SJASM	sLDA	JST	ASUM	LARA
Game	83.21%	75.44%	73.65%	70.35%	66.03%
CD	80.19%	73.21%	72.09%	68.91%	67.50%
Hotel	78.07%	72.11%	70.37%	69.29%	63.68%
Average	80.49%	73.59%	72.04%	69.52%	65.74%

Table 3 shows the Rand Index of the examined versions on numerous educational collections, the greater, the far better. SJASM achieves the very best Rand documents rating of 83.21% on the diversion study informative collection, which is 7.77%, 9.56%, 12.86%, and also 17.18% more than that of typical versions sLDA, JST, ASUM, and also LARA, independently. It furthermore achieves one of the most significant Rand document evaluation of 80.19% on the CD category, which is 6.98%, 8.1%, 11.28%, and also 12.69% above sLDA, JST, ASUM, and also LARA. On lodging audits, SJASM once again causes the very best Rand document of 78.07%, which is 5.96%, 7.7%, 8.78%, as well as

14.39% above sLDA, JST, ASUM, and also LARA, separately. For every analyzed design, we also showed the regular perspective acknowledgment implementation over each of the informative indexes. The recommended SJASM program leads to boosted point of view ID results contrasted with pattern designs for the going along with factors: 1) SJASM usage typically examinations as guidance knowledge to handle the means towards identifying crucial semantic viewpoints; and also 2) It talks with each study record as evaluation collections, and also at the very same time misuses particular collections of angle terms as well as connecting verdict words for hidden angle area. Alternatively, the criteria strategies sLDA, JST, ASUM, and also LARA cannot grab from such distinct strategy. Table 4 documents criterion perspectives determined using the recommended SJASM program on the diversion, CD, and also inn study educational indexes. We showed the genuine countersigns, i.e., point of view terms, bunched in the shrouded point of views "interactivity", "noise", as well as "personnel" in the sections one, 3, as well as 5, while we videotaped the sentimental angle catch phrases, i.e., supposition words, in the area 2, 4, as well as 6, individually. The very best 5 sensation words are specific, as well as the taking place 5 view words are unfavorable. SJASM earnings by showing audits as sack of-sentiment collections, and also in this way, does not stimulate the angle terms as well as relevant final thought words in every point of view team.

TABLE 4
Aspects Detected via SJASM on Different Review Data Sets (K=5)

"gameplay" @Game		"sound" @ CD		"staff" @ Hotel	
game	great	voice	powerful	staff	friendly
gameplay	good	vocals	beautiful	people	helpful
graphics	easy	sound	strong	service	nice
story	fun	songs	emotional	smile	attentive
storyline	enjoyable	talent	haunting	waiters	polite
characters	boring	piano	eerie	management	terrible
music	stupid	range	weird	bartenders	rude
controls	bad	quality	raw	waitress	poor
line	annoying	ballads	spooky	server	flip
plot	hard	melody	distorted	employees	fresh

From Table 4, we can see that, for every single version point of view in the provided audit room, the exact viewpoint terms are lucid as well as certain, while the organized evaluation words are semantically understood the angle. For example, the semantic point of view "interactivity" for the diversion location numbers the authentic angle terms, for instance, "tale", "story", and also "controls", and also the analysis words, for instance, "straightforward", "reasonable", as well as "laborious". The exact and also nostalgic signs mirror somewhat exactly how the diversion is prepared as well as the capacities that gamers might call for with completion objective to play it, e.g., "controls" as well as "tough". They are simply particular of the "continuous communication" point of view. Then angle "noise" for CD course teams the authentic

viewpoint terms like "voice", "vocals", as well as "audio", and also the semantically associated belief words like "excellent", "terrific", and also "mutilated". The angle "personnel" furthermore lots the setup of semantically relevant catch phrases in the accommodations study area.

Overall Sentiment Prediction: We analyzed the implementation of preparing for point of views of studies for SJASM and also 6 representative common methods, consisting of controlled strategies sLDA, Pooling, and also SVM, feebly carried out methods JST and also ASUM, and also one not being watched method Vocabulary. LARA was declined from the evaluation, as it cannot predict mostly notions/evaluations of web content audits

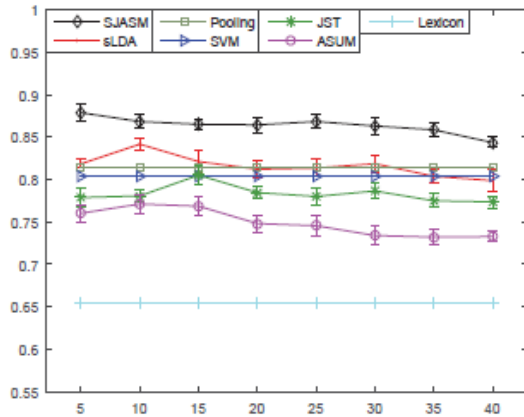


Fig.2: Overall sentiment prediction accuracy versus aspect number on the game data set.

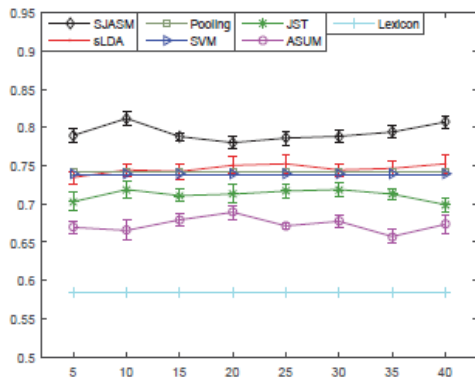


Fig.3: Overall sentiment prediction accuracy versus aspect number on the hotel data set.

Even with the truth that sLDA does above various standards for normally discussing verdict projection; it loses out to the recommended SJASM program. The occurrence of SJASM over sLDA can be credited unique specific framework for viewpoint examination: 1) SJASM adapts to perspective degree as well as typically concept exam endeavors in one go under a combined system, which allows it to utilize the in

between dependence in between both tasks, as well as to assist them to sustain each other; 2) It equally differentiate the semantic angles and also sensations under guidance of typically evaluating information, which equips it to speculate which favorable or adverse viewpoints are much prescient as well as vital for mostly analysis assumption; and also 3) regardless of carried out typically examining details, SJASM abuses weak guidance understanding based on pre-arranged idea thesaurus for angle examination.

V. CONCLUSION

In this work, we concentrate on modeling on the net user-generated evaluation data, and purpose to establish hidden semantic aspects as well as ideas on the aspects, in addition to anticipate total ratings/sentiments of testimonies. We have in fact established a special supervised joint aspect and belief version (SJASM) to manage the difficulties in one goes under a combined structure. SJASM treats examination records in the sort of point of view sets, and also can at the very same time design element terms as well as their equivalent point of view words of the testimonials for semantic facet as well as belief detection. Additionally, SJASM also leverages total scores of reviews as assistance as well as limitation information, as well as can jointly infer covert aspects and likewise beliefs that are not just meaningful however furthermore expecting of general sentiments of evaluation documents. We performed experiments making use of honestly used real world review data, as well as additionally extensively compared SJASM with 7 reputable depictive basic strategies. For semantic facet detection and aspect-level view recognition problems, SJASM outmatches all the generative requirements variations, sLDA, JST, ASUM, and also LARA. When it comes to overall view projection, SJASM once again outpaces the 6 criteria strategies sLDA, Pooling, SVM, JST, ASUM, and additionally Vocabulary. On-line user-generated evaluations are regularly connected with area or time-stamp details. For future work, we will certainly expand the suggested style by modeling the metadata to cope with the spatio-temporal sentiment analysis of on-line analyses. Probabilistic subject modeling approaches to view assessment often requires the number of hidden topics to be defined in advance of assessing evaluation data. One more fascinating future direction of our job is to create Bayesian nonparametric variation, which can automatically approximate the number of hidden subjects from analysis information, as well as can in addition allow the variety of the subjects to increase as new assessment instances show up.

VI. REFERENCES

- [1]. Y. Jo and A. H. Oh, "Aspect and sentiment unification model for online review analysis," in Proceedings of the fourth ACM international conference on Web search and data mining, ser. WSDM'11. New York, NY, USA: ACM, 2011, pp. 815–824.

- [2]. S. Moghaddam and M. Ester, "Ilda: Interdependent lda model for learning latent aspects and their ratings from online product reviews," in Proceedings of the 34th International ACM SIGIR Conference on Research and Development in Information Retrieval, ser. SIGIR'11, 2011, pp. 665–674.
- [3]. C. Lin, Y. He, R. Everson, and S. Ruger, "Weakly supervised joint sentiment-topic detection from text," IEEE Transactions on Knowledge and Data Engineering, vol. 24, no. 6, pp. 1134–1145, Jun. 2012.
- [4]. S. Kim, J. Zhang, Z. Chen, A. Oh, and S. Liu, "A hierarchical aspect-sentiment model for online reviews," in Proceedings of the Twenty-Seventh AAAI Conference on Artificial Intelligence, ser. AAAI'13. AAAI Press, 2013, pp. 526–533.
- [5]. M. Dermouche, J. Velcin, L. Khouas, and S. Loudcher, "A joint model for topic-sentiment evolution over time," in 2014 IEEE International Conference on Data Mining, Dec 2014, pp. 773–778.
- [6]. Z. Yang, A. Kotov, A. Mohan, and S. Lu, "Parametric and nonparametric user-aware sentiment topic models," in Proceedings of the 38th International ACM SIGIR Conference on Research and Development in Information Retrieval, ser. SIGIR '15. New York, NY, USA: ACM, 2015, pp. 413–422.
- [7]. M. M. Rahman and H. Wang, "Hidden topic sentiment model," in Proceedings of the 25th International Conference on World Wide Web, ser. WWW '16. Republic and Canton of Geneva, Switzerland: International World Wide Web Conferences Steering Committee, 2016, pp. 155–165.
- [8]. S. Geman and D. Geman, "Stochastic relaxation, gibbs distributions, and the bayesian restoration of images," IEEE Transactions on Pattern Analysis and Machine Intelligence, vol. 6, no. 6, pp. 721–741, 1984.
- [9]. B. Liu, "Sentiment analysis and opinion mining," Synthesis Lectures on Human Language Technologies, vol. 5, no. 1, pp. 1–167, May 2012.
- [10]. B. Pang, L. Lee, and S. Vaithyanathan, "Thumbs up?: sentiment classification using machine learning techniques," in Proceedings of the ACL-02 conference on Empirical methods in natural language processing - Volume 10, ser. EMNLP'02. Stroudsburg, PA, USA: Association for Computational Linguistics, 2002, pp. 79–86.
- [11]. V. Ng, S. Dasgupta, and S. M. N. Arifin, "Examining the role of linguistic knowledge sources in the automatic identification and classification of reviews," in Proceedings of the COLING/ACL on Main Conference Poster Sessions, ser. COLING-ACL '06. Stroudsburg, PA, USA: Association for Computational Linguistics, 2006, pp. 611–618.
- [12]. J. Zhao, K. Liu, and G. Wang, "Adding redundant features for crfs-based sentence sentiment classification," in Proceedings of the Conference on Empirical Methods in Natural Language Processing, ser. EMNLP '08. Stroudsburg, PA, USA: Association for Computational Linguistics, 2008, pp. 117–126.
- [13]. P. Melville, W. Gryc, and R. D. Lawrence, "Sentiment analysis of blogs by combining lexical knowledge with text classification," in Proceedings of the 15th ACM SIGKDD International Conference on Knowledge Discovery and Data Mining, ser. KDD'09. New York, NY, USA: ACM, 2009, pp. 1275–1284.
- [14]. A. L. Maas, R. E. Daly, P. T. Pham, D. Huang, A. Y. Ng, and C. Potts, "Learning word vectors for sentiment analysis," in Proceedings of the 49th Annual Meeting of the Association for Computational Linguistics: Human Language Technologies - Volume 1, ser. HLT'11. Stroudsburg, PA, USA: Association for Computational Linguistics, 2011, pp. 142–150.
- [15]. B. Yang and C. Cardie, "Context-aware learning for sentence-level sentiment analysis with posterior regularization," in Proceedings of the 52nd Annual Meeting of the Association for Computational Linguistics, ACL 2014, June 22–27, 2014, Baltimore, MD, USA, Volume 1: Long Papers, 2014, pp. 325–335.
- [16]. D. M. Blei, A. Y. Ng, and M. I. Jordan, "Latent dirichlet allocation," J. Mach. Learn.

Guide Profile:



Assistant professor, Dept of CSE, PES Institute of Technology, Outer Ring Rd, Banashankari 3rd Stage, Banashankari, Bengaluru, Karnataka 560085, and India.

Student profile:



Btech Student, Dept of CSE, PES Institute of Technology, Outer Ring Rd, Banashankari 3rd Stage, Banashankari, Bengaluru, Karnataka 560085, India.