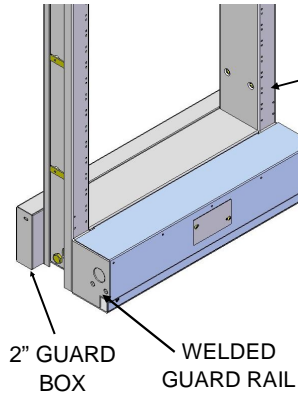


UNEQUAL FLANGE EQUIPMENT RACKS

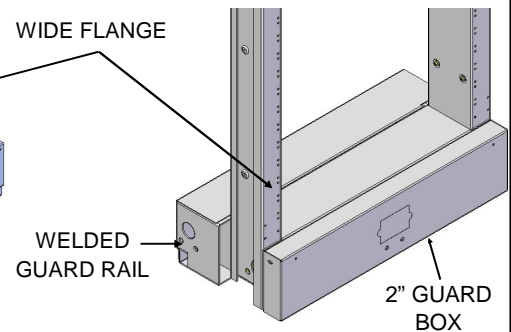
Standard and Seismic UEF Racks - Closed and Open Duct with Guard Rail Cover and 2" Rear Guard Box (12" footprint)

Fully welded frame, all steel construction.
Seismic racks are certified per NEBS for zone 4 use.
Mounting rails formed from 11 gage steel.
Drilled and tapped for #12-24 mounting screws
Double-sided mounting
Includes 2" rear guard rail, ESD ground point, junction kit and cable tie brackets.
Closed or open duct configuration available
Welded steel construction
Powder coat finish

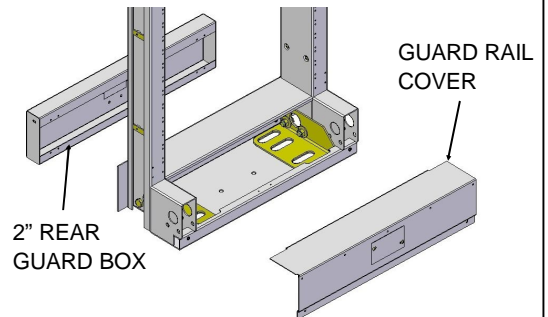
CLOSED DUCT BASE



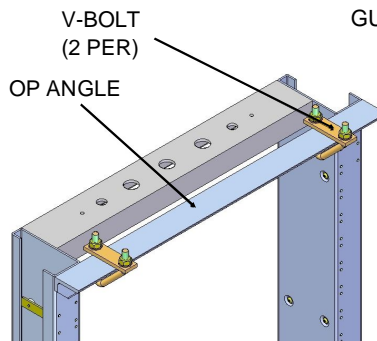
OPEN DUCT BASE



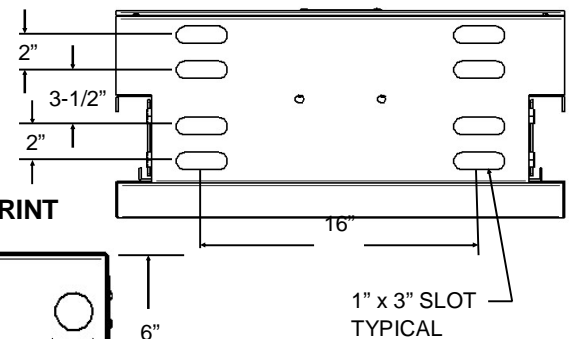
BASE DETAILS



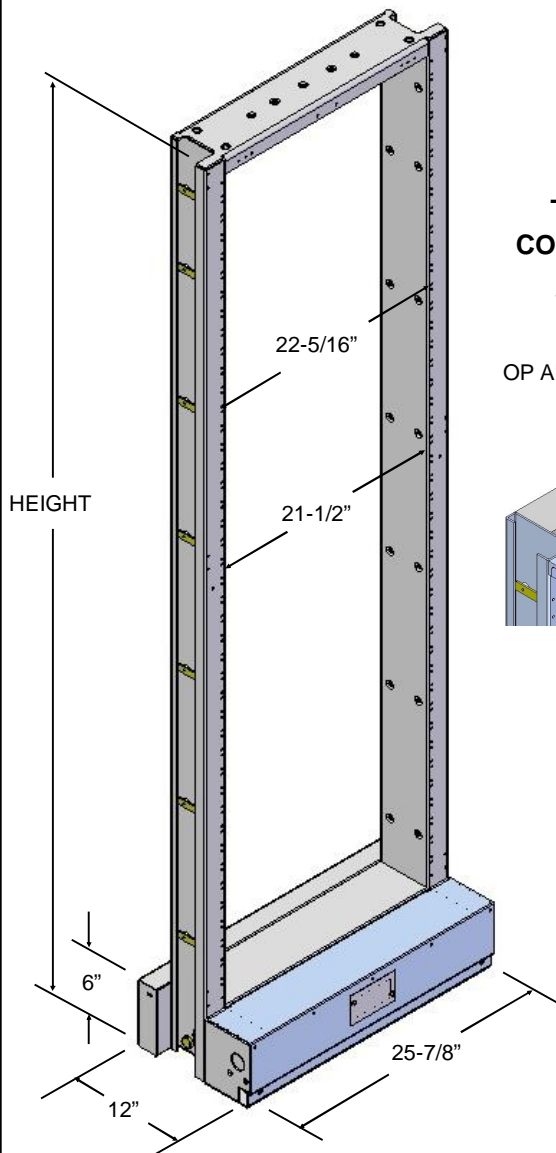
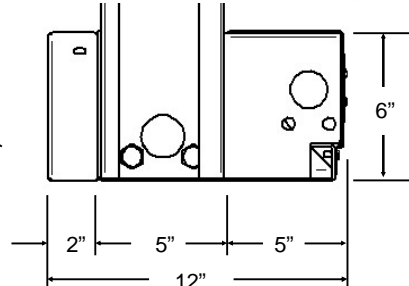
TOP ANGLE CONFIGURATION



ANCHOR LOCATIONS

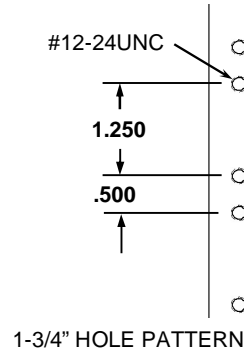
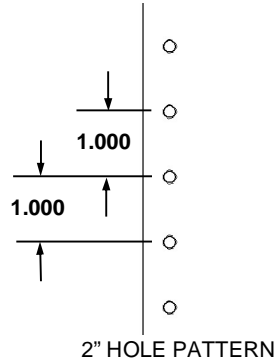


BASE FOOTPRINT



UNEQUAL FLANGE EQUIPMENT RACKS

SEE PAGE 9 FOR AVAILABLE
COLOR OPTIONS



PART NUMBER	HEIGHT (DIM A)	HOLE PATTERN	TOP ANGLE	DUCT	SEISMIC RATING	
CC300200-N	7'	2"	NO	CLOSED	ZONE 4	
CC300200	7'	2"	YES	CLOSED	ZONE 4	***
CC300200-N-O	7'	2"	NO	OPEN	ZONE 4	***
CC300200-O	7'	2"	YES	OPEN	ZONE 4	***
CC330200-N	7'	1-3/4"	NO	CLOSED	ZONE 4	
CC330200	7'	1-3/4"	YES	CLOSED	ZONE 4	***
CC330200-N-O	7'	1-3/4"	NO	OPEN	ZONE 4	***
CC330200-O	7'	1-3/4"	YES	OPEN	ZONE 4	***
CC310200	9'	2"	YES	CLOSED	ZONE 4	***
CC310200-O	9'	2"	YES	OPEN	ZONE 4	***
CC340200	9'	1-3/4"	YES	CLOSED	ZONE 4	***
CC340200-O	9'	1-3/4"	YES	OPEN	ZONE 4	***
CC320200	11'-6"	2"	YES	CLOSED	ZONE 4	***
CC320200-O	11'-6"	2"	YES	OPEN	ZONE 4	***
CC350200	11'-6"	1-3/4"	YES	CLOSED	ZONE 4	***
CC350200-O	11'-6"	1-3/4"	YES	OPEN	ZONE 4	***
CC840200-N	7'	2"	NO	CLOSED	NONE	***
CC840200	7'	2"	YES	CLOSED	NONE	***
CC840200-N-O	7'	2"	NO	OPEN	NONE	***
CC840200-O	7'	2"	YES	OPEN	NONE	***
CC830200-N	7'	1-3/4"	NO	CLOSED	NONE	***
CC830200	7'	1-3/4"	YES	CLOSED	NONE	***
CC830200-N-O	7'	1-3/4"	NO	OPEN	NONE	***
CC830200-O	7'	1-3/4"	YES	OPEN	NONE	***
CC900200	9'	2"	YES	CLOSED	NONE	***
CC900200-O	9'	2"	YES	OPEN	NONE	***
CC910200	9'	1-3/4"	YES	CLOSED	NONE	***
CC910200-O	9'	1-3/4"	YES	OPEN	NONE	***
CC930200	11'-6"	2"	YES	CLOSED	NONE	***
CC930200-O	11'-6"	2"	YES	OPEN	NONE	***
CC940200	11'-6"	1-3/4"	YES	CLOSED	NONE	***
CC940200-O	11'-6"	1-3/4"	YES	OPEN	NONE	***

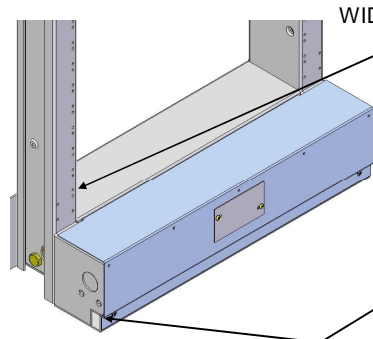
*** BUILT TO ORDER. PLEASE CALL FOR AVAILABILITY.

UNEQUAL FLANGE EQUIPMENT RACKS

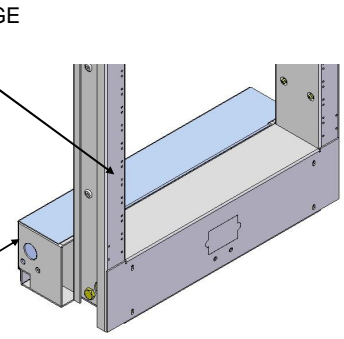
Standard and Seismic UEF Racks - Closed and Open Duct with Guard Rail Cover (10" Footprint)

- Fully welded frame, all steel construction.
- Seismic racks are certified per NEBS for zone 4 use.
- Mounting rails formed from 11 gage steel.
- Drilled and tapped for #12-24 mounting screws
- Double-sided mounting
- Guard rail cover included
- Junction kit included
- Closed or open duct configuration available
- Welded steel construction
- Powder coat finish

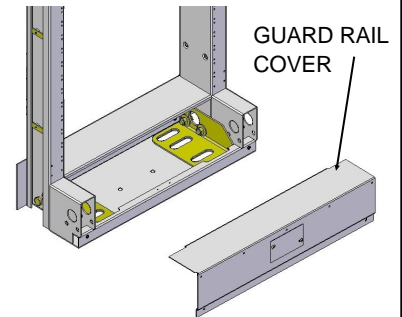
CLOSED DUCT BASE



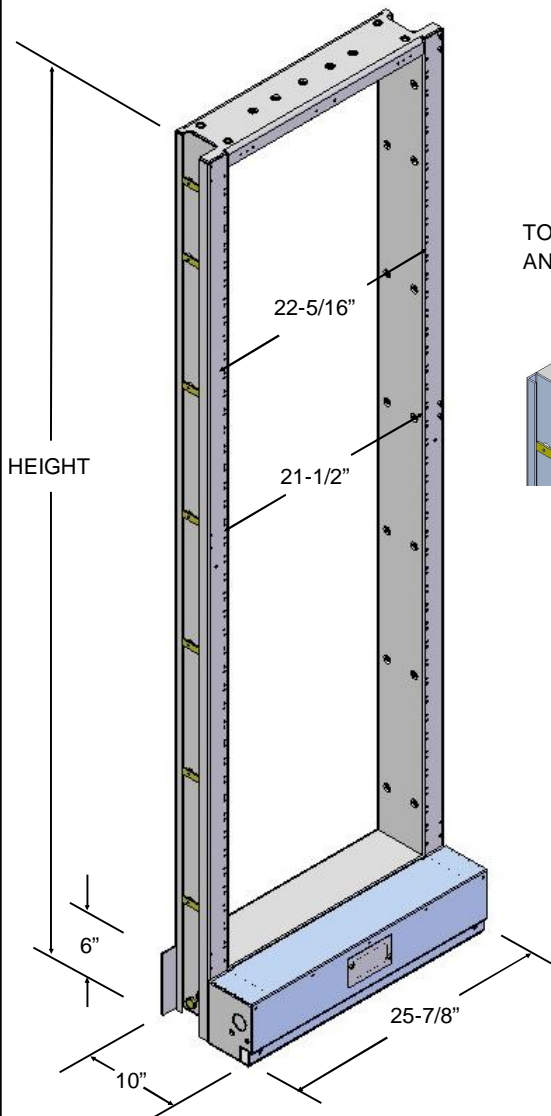
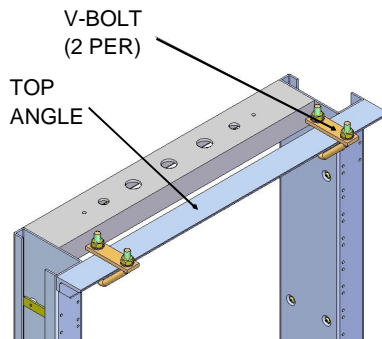
OPEN DUCT BASE



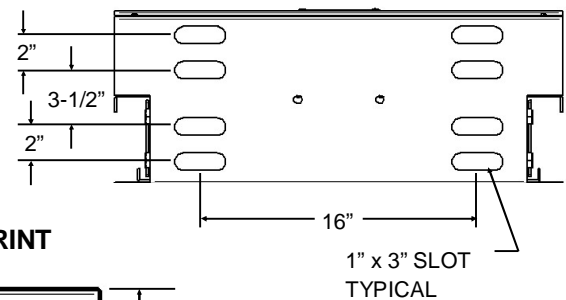
BASE DETAILS



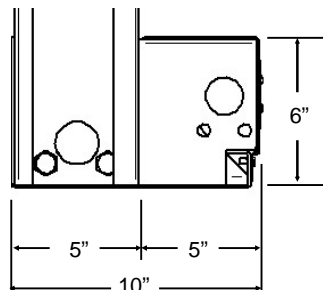
TOP ANGLE CONFIGURATION



ANCHOR LOCATIONS

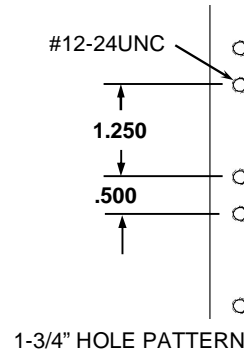
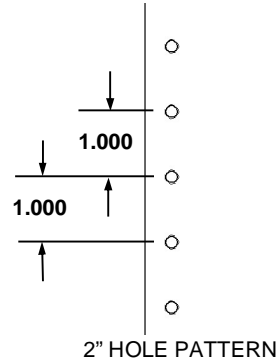


BASE FOOTPRINT



UNEQUAL FLANGE EQUIPMENT RACKS

SEE PAGE 9 FOR AVAILABLE
COLOR OPTIONS



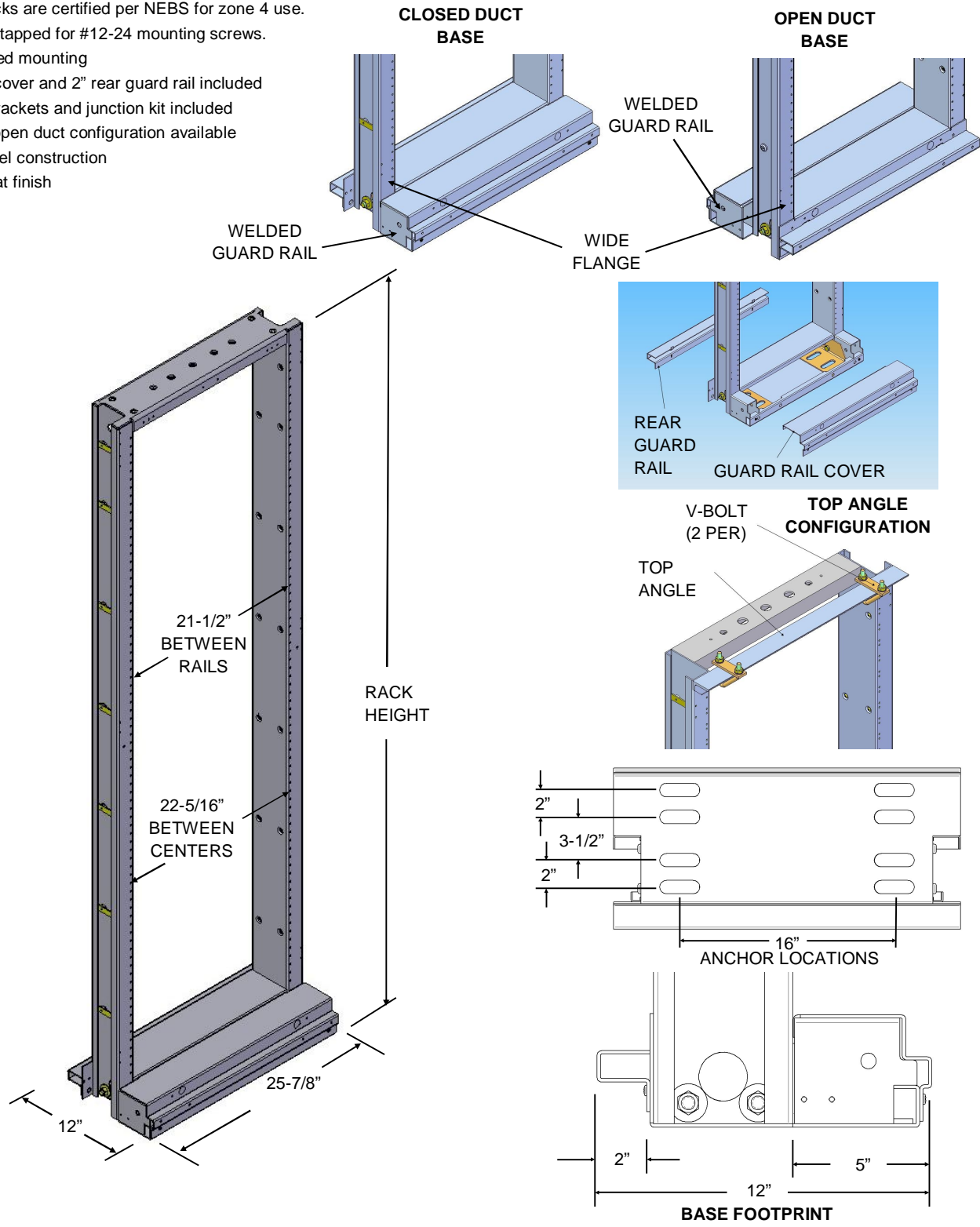
PART NUMBER	HEIGHT (DIM A)	HOLE PATTERN	TOP ANGLE	DUCT	SEISMIC RATING	
CC300400-N	7'	2"	NO	CLOSED	ZONE 3/4	***
CC300400	7'	2"	YES	CLOSED	ZONE 3/4	***
CC300400-N-O	7'	2"	NO	OPEN	ZONE 3/4	***
CC300400-O	7'	2"	YES	OPEN	ZONE 3/4	***
CC330400-N	7'	1-3/4"	NO	CLOSED	ZONE 3/4	***
CC330400	7'	1-3/4"	YES	CLOSED	ZONE 3/4	***
CC330400-N-O	7'	1-3/4"	NO	OPEN	ZONE 3/4	***
CC330400-O	7'	1-3/4"	YES	OPEN	ZONE 3/4	***
CC310400	9'	2"	YES	CLOSED	ZONE 3/4	***
CC310400-O	9'	2"	YES	OPEN	ZONE 3/4	***
CC340400	9'	1-3/4"	YES	CLOSED	ZONE 3/4	***
CC340400-O	9'	1-3/4"	YES	OPEN	ZONE 3/4	***
CC320400	11'-6"	2"	YES	CLOSED	ZONE 3/4	***
CC320400-O	11'-6"	2"	YES	OPEN	ZONE 3/4	***
CC350400	11'-6"	1-3/4"	YES	CLOSED	ZONE 3/4	***
CC350400-O	11'-6"	1-3/4"	YES	OPEN	ZONE 3/4	***
CC840400-N	7'	2"	NO	CLOSED	NONE	***
CC840400	7'	2"	YES	CLOSED	NONE	***
CC840400-N-O	7'	2"	NO	OPEN	NONE	***
CC840400-O	7'	2"	YES	OPEN	NONE	***
CC830400-N	7'	1-3/4"	NO	CLOSED	NONE	***
CC830400	7'	1-3/4"	YES	CLOSED	NONE	***
CC830400-N-O	7'	1-3/4"	NO	OPEN	NONE	***
CC830400-O	7'	1-3/4"	YES	OPEN	NONE	***
CC900400	9'	2"	YES	CLOSED	NONE	***
CC900400-O	9'	2"	YES	OPEN	NONE	***
CC910400	9'	1-3/4"	YES	CLOSED	NONE	***
CC910400-O	9'	1-3/4"	YES	OPEN	NONE	***
CC930400	11'-6"	2"	YES	CLOSED	NONE	***
CC930400-O	11'-6"	2"	YES	OPEN	NONE	***
CC940400	11'-6"	1-3/4"	YES	CLOSED	NONE	***
CC940400-O	11'-6"	1-3/4"	YES	OPEN	NONE	***

*** BUILT TO ORDER. PLEASE CALL FOR AVAILABILITY.

NETWORK EQUIPMENT RACKS

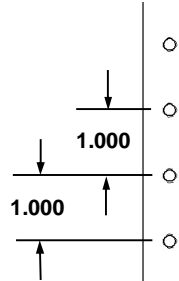
Standard and Seismic Network Racks - Closed and Open Duct

Fully welded, all steel frame.
 Mounting rails formed from 11 gage steel.
 Seismic racks are certified per NEBS for zone 4 use.
 Drilled and tapped for #12-24 mounting screws.
 Double-sided mounting
 Guard rail cover and 2" rear guard rail included
 Cable tie brackets and junction kit included
 Closed or open duct configuration available
 Welded steel construction
 Powder coat finish

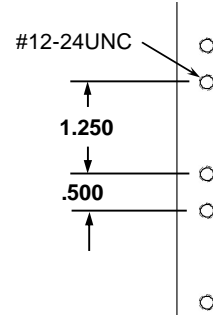


NETWORK EQUIPMENT RACKS

SEE PAGE 9 FOR AVAILABLE
COLOR OPTIONS



2" HOLE PATTERN



1-3/4" HOLE PATTERN

PART NUMBER	HEIGHT (DIM A)	HOLE PATTERN	TOP ANGLE	DUCT	SEISMIC RATING	
CC301200-N	7'	2"	NO	CLOSED	ZONE 4	
CC301200	7'	2"	YES	CLOSED	ZONE 4	***
CC301200-N-O	7'	2"	NO	OPEN	ZONE 4	***
CC301200-O	7'	2"	YES	OPEN	ZONE 4	***
CC331200-N	7'	1-3/4"	NO	CLOSED	ZONE 4	
CC331200	7'	1-3/4"	YES	CLOSED	ZONE 4	***
CC331200-N-O	7'	1-3/4"	NO	OPEN	ZONE 4	***
CC331200-O	7'	1-3/4"	YES	OPEN	ZONE 4	***
CC311200	9'	2"	YES	CLOSED	ZONE 4	***
CC311200-O	9'	2"	YES	OPEN	ZONE 4	***
CC341200	9'	1-3/4"	YES	CLOSED	ZONE 4	***
CC341200-O	9'	1-3/4"	YES	OPEN	ZONE 4	***
CC321200	11'-6"	2"	YES	CLOSED	ZONE 4	***
CC321200-O	11'-6"	2"	YES	OPEN	ZONE 4	***
CC351200	11'-6"	1-3/4"	YES	CLOSED	ZONE 4	***
CC351200-O	11'-6"	1-3/4"	YES	OPEN	ZONE 4	***
CC841200-N	7'	2"	NO	CLOSED	NONE	***
CC841200	7'	2"	YES	CLOSED	NONE	***
CC841200-N-O	7'	2"	NO	OPEN	NONE	***
CC841200-O	7'	2"	YES	OPEN	NONE	***
CC830200-N	7'	1-3/4"	NO	CLOSED	NONE	***
CC830200	7'	1-3/4"	YES	CLOSED	NONE	***
CC830200-N-O	7'	1-3/4"	NO	OPEN	NONE	***
CC830200-O	7'	1-3/4"	YES	OPEN	NONE	***
CC900200	9'	2"	YES	CLOSED	NONE	***
CC900200-O	9'	2"	YES	OPEN	NONE	***
CC910200	9'	1-3/4"	YES	CLOSED	NONE	***
CC910200-O	9'	1-3/4"	YES	OPEN	NONE	***
CC930200	11'-6"	2"	YES	CLOSED	NONE	***
CC930200-O	11'-6"	2"	YES	OPEN	NONE	***
CC940200	11'-6"	1-3/4"	YES	CLOSED	NONE	***
CC940200-O	11'-6"	1-3/4"	YES	OPEN	NONE	***

*** BUILT TO ORDER. PLEASE CALL FOR AVAILABILITY.

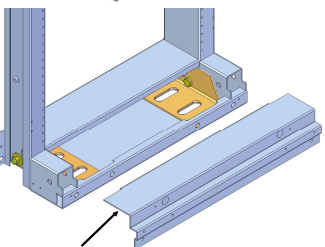
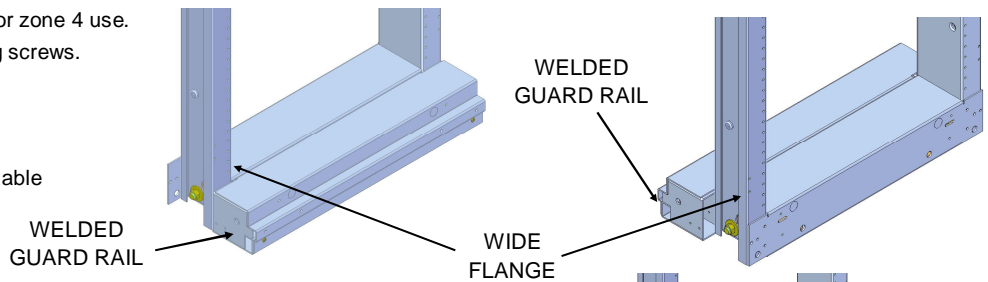
NETWORK EQUIPMENT RACKS

Standard and Seismic Network Racks - Closed and Open Duct

- Fully welded, all steel frame.
- Mounting rails formed from 11 gage steel.
- Seismic racks are certified per NEBS for zone 4 use.
- Drilled and tapped for #12-24 mounting screws.
- Double-sided mounting
- Guard rail cover included
- Junction kit included
- Closed or open duct configuration available
- Welded steel construction
- Powder coat finish

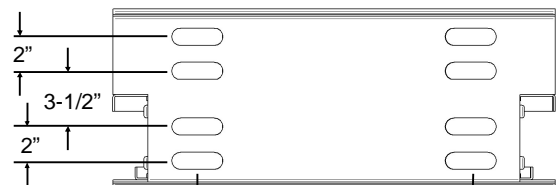
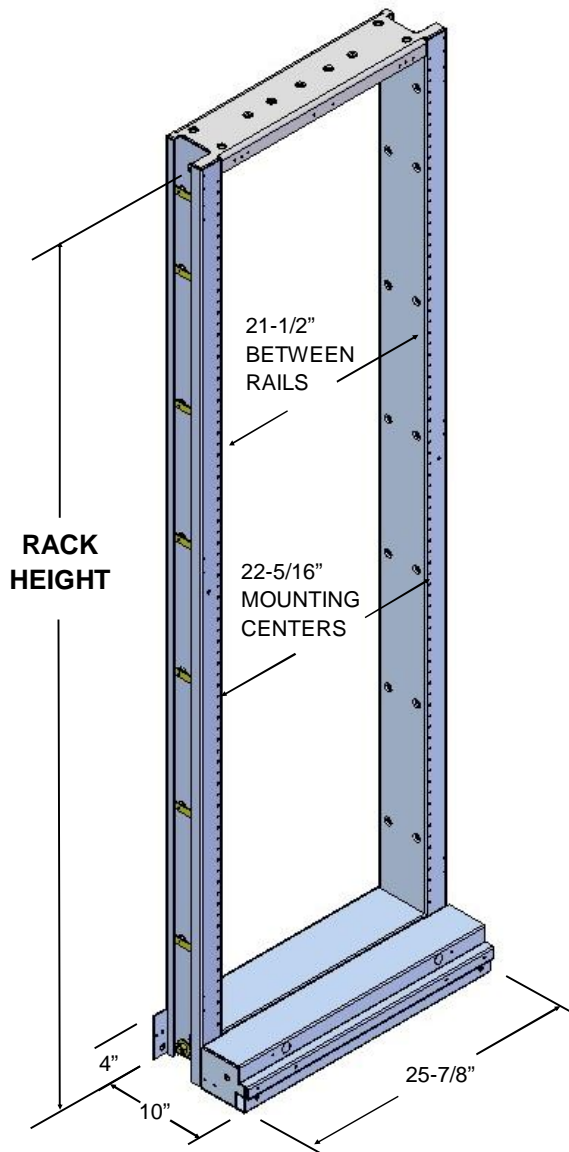
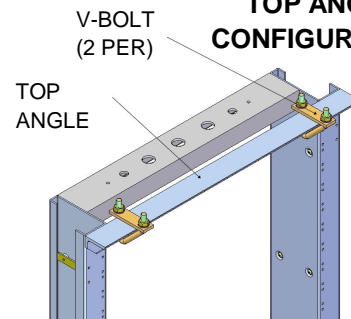
CLOSED DUCT BASE

OPEN DUCT BASE

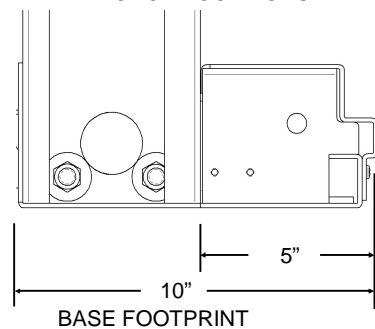


GUARD RAIL COVER

TOP ANGLE CONFIGURATION



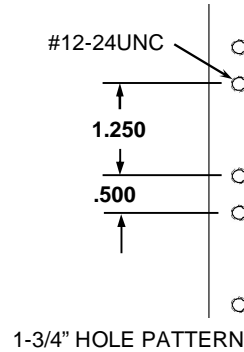
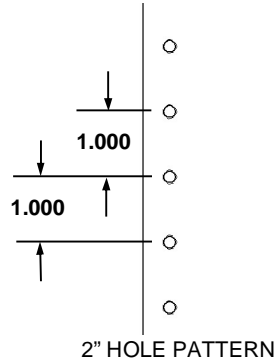
ANCHOR LOCATIONS



BASE FOOTPRINT

NETWORK EQUIPMENT RACKS

SEE PAGE 9 FOR AVAILABLE
COLOR OPTIONS



PART NUMBER	HEIGHT	HOLE PATTERN	TOP ANGLE	DUCT	SEISMIC RATING	
CC301400-N	7'	2"	NO	CLOSED	ZONE 3/4	***
CC301400	7'	2"	YES	CLOSED	ZONE 3/4	***
CC301400-N-O	7'	2"	NO	OPEN	ZONE 3/4	***
CC301400-O	7'	2"	YES	OPEN	ZONE 3/4	***
CC331400-N	7'	1-3/4"	NO	CLOSED	ZONE 3/4	***
CC331400	7'	1-3/4"	YES	CLOSED	ZONE 3/4	***
CC331400-N-O	7'	1-3/4"	NO	OPEN	ZONE 3/4	***
CC331400-O	7'	1-3/4"	YES	OPEN	ZONE 3/4	***
CC311400	9'	2"	YES	CLOSED	ZONE 3/4	***
CC311400-O	9'	2"	YES	OPEN	ZONE 3/4	***
CC341400	9'	1-3/4"	YES	CLOSED	ZONE 3/4	***
CC341400-O	9'	1-3/4"	YES	OPEN	ZONE 3/4	***
CC321400	11'-6"	2"	YES	CLOSED	ZONE 3/4	***
CC321400-O	11'-6"	2"	YES	OPEN	ZONE 3/4	***
CC351400	11'-6"	1-3/4"	YES	CLOSED	ZONE 3/4	***
CC351400-O	11'-6"	1-3/4"	YES	OPEN	ZONE 3/4	***
CC841400-N	7'	2"	NO	CLOSED	NONE	***
CC841400	7'	2"	YES	CLOSED	NONE	***
CC841400-N-O	7'	2"	NO	OPEN	NONE	***
CC841400-O	7'	2"	YES	OPEN	NONE	***
CC831400-N	7'	1-3/4"	NO	CLOSED	NONE	***
CC831400	7'	1-3/4"	YES	CLOSED	NONE	***
CC831400-N-O	7'	1-3/4"	NO	OPEN	NONE	***
CC831400-O	7'	1-3/4"	YES	OPEN	NONE	***
CC901400	9'	2"	YES	CLOSED	NONE	***
CC901400-O	9'	2"	YES	OPEN	NONE	***
CC911400	9'	1-3/4"	YES	CLOSED	NONE	***
CC911400-O	9'	1-3/4"	YES	OPEN	NONE	***
CC931400	11'-6"	2"	YES	CLOSED	NONE	***
CC931400-O	11'-6"	2"	YES	OPEN	NONE	***
CC941400	11'-6"	1-3/4"	YES	CLOSED	NONE	***
CC941400-O	11'-6"	1-3/4"	YES	OPEN	NONE	***

*** BUILT TO ORDER. PLEASE CALL FOR AVAILABILITY.

EQUIPMENT RACK EXTENDERS (UEF & NETWORK)

EQUIPMENT RACK EXTENDERS

These extenders adapt 7' UEF and network equipment racks to 9' or 11'-6" environments. Mounting rails are formed from 11 gage steel and the base plate is reinforced 7 gage steel. Mounting hardware is provided to secure rack to extender and v-bolts are provided to secure extender to 1" diameter sch. 40 pipe at top angle. Cable tie bars are provided to secure cable in the duct. Seismic and non-seismic extenders are available. Powder coat finish. Please order from table below. Add color suffix to part number when ordering.

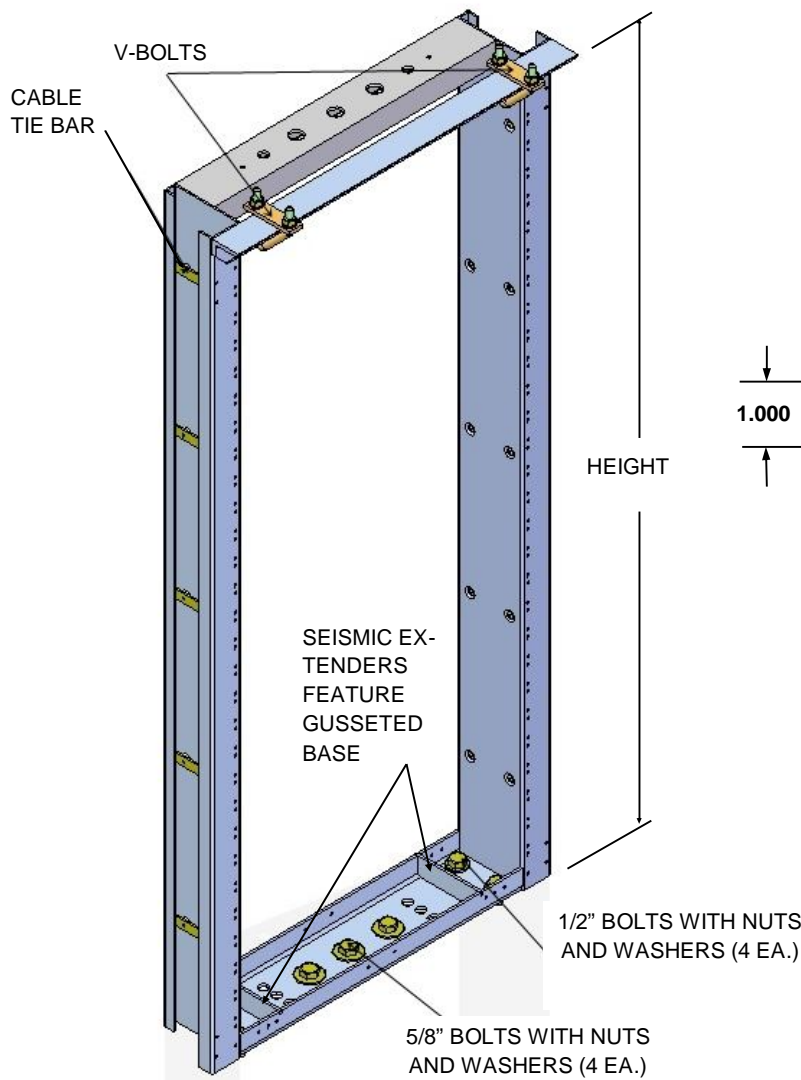
ORDERING TABLES

EXTENDERS FOR SEISMIC RACKS

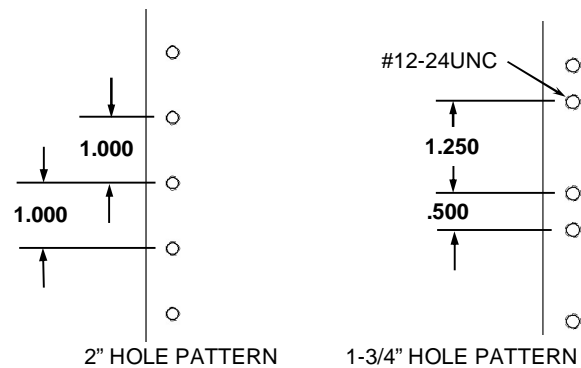
HEIGHT	HOLE SPACING	PART NUMBER
24"	1-3/4"	CCRE2321
24"	2"	CCRE2322
54"	1-3/4"	CCRE2341
54"	2"	CCRE2342

EXTENDERS FOR NON-SEISMIC RACKS

HEIGHT	HOLE SPACING	PART NUMBER
24"	1-3/4"	56530200
24"	2"	56030200
54"	1-3/4"	56050200
54"	2"	56550200



SEE PAGE 9 FOR AVAILABLE COLOR OPTIONS



CUSTOM SIZES AND COLORS AVAILABLE UPON REQUEST. PLEASE CALL FOR DETAILS.

FLOOR SUPPORTED CHANNEL RACKS

Channel Racks

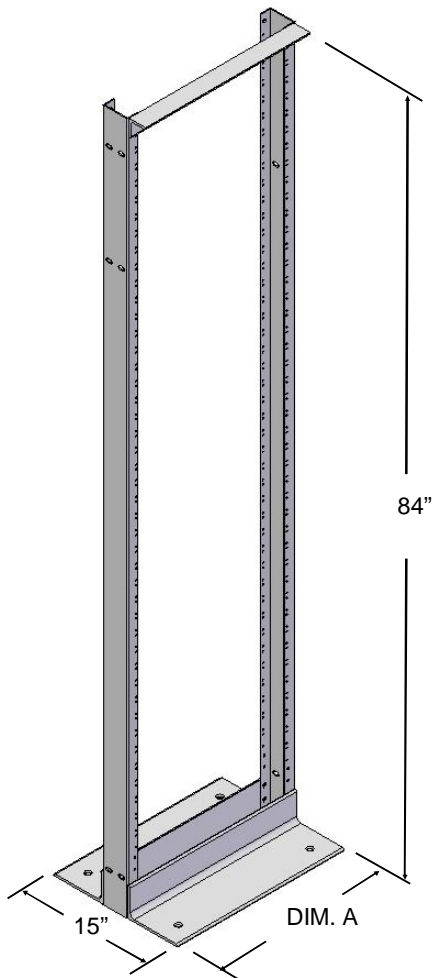
STANDARD CHANNEL RACK

DIM A	EQT. WIDTH	HOLE SPACING	PART NUMBER
20-3/8"	19"	1-3/4"	CC271300
20-3/8"	19"	2"	CC183300
24-3/8"	23"	1-3/4"	CC270300
24-3/8"	23"	2"	CC223300

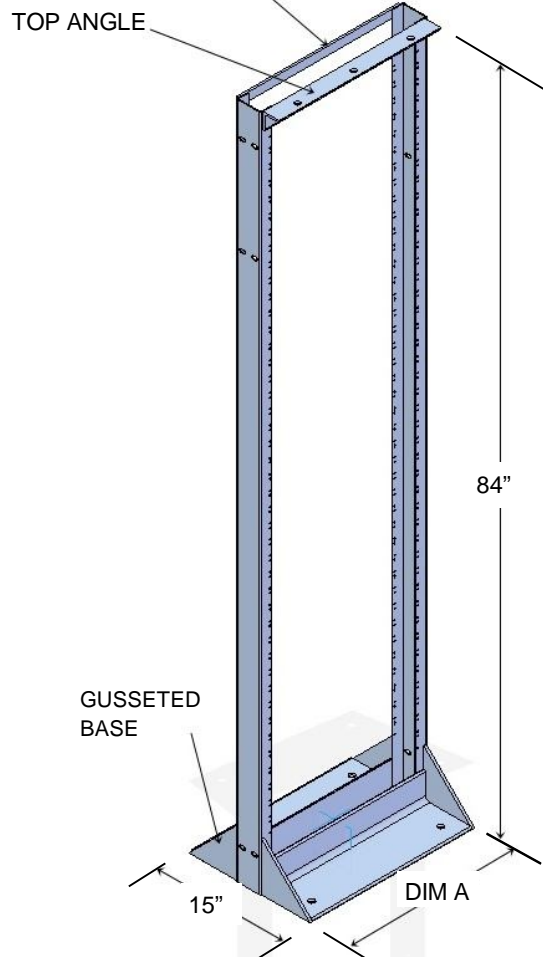
HEAVY DUTY CHANNEL RACK

DIM A	EQT. WIDTH	HOLE SPACING	PART NUMBER
20-3/8"	19"	1-3/4"	CC271500
20-3/8"	19"	2"	CC271600
24-3/8"	23"	1-3/4"	CC270500
24-3/8"	23"	2"	CC270600

TOP ANGLE **STANDARD**



STIFFENER **HEAVY DUTY**

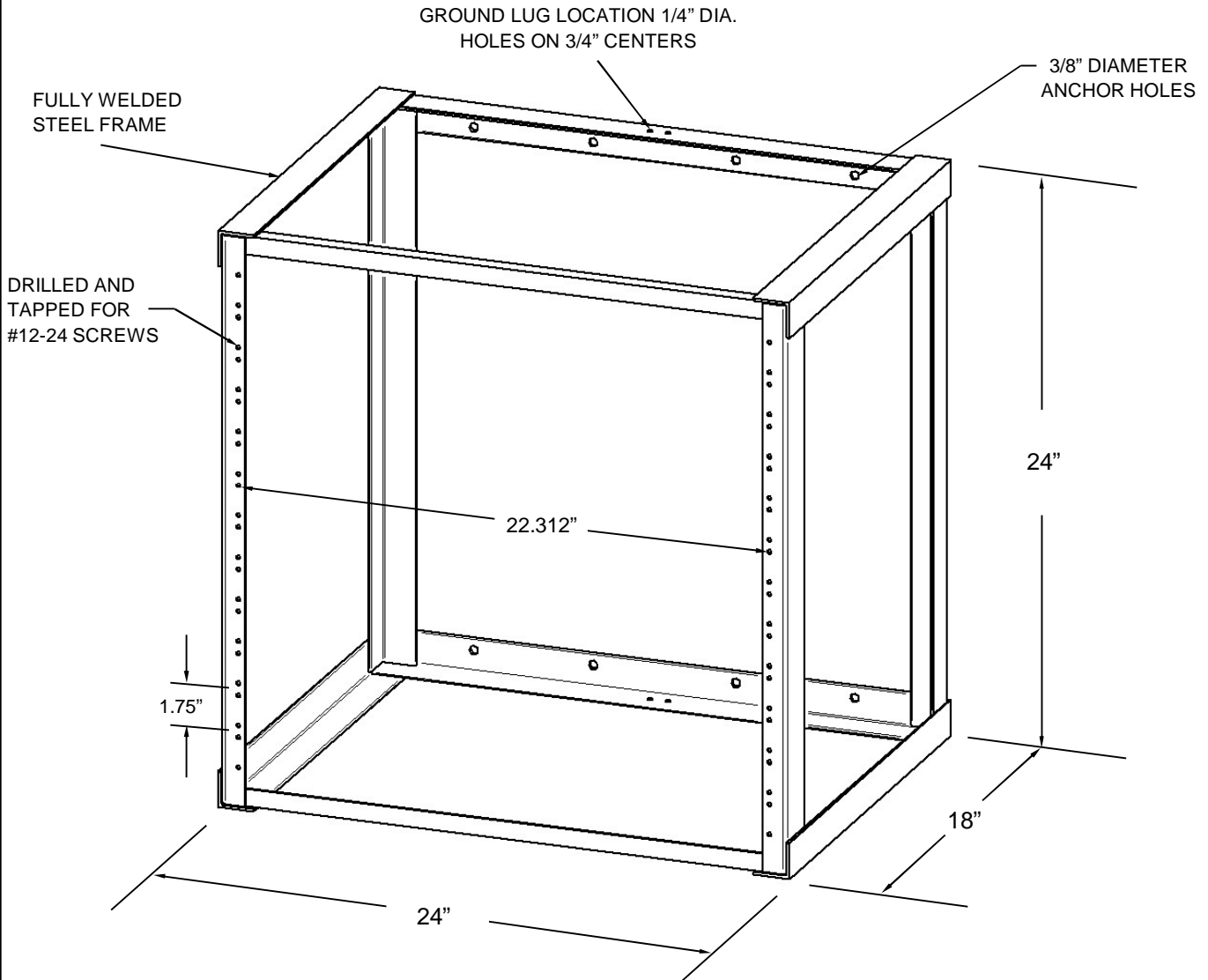


SEE PAGE 9 FOR AVAILABLE
COLOR OPTIONS

WALL MOUNTED RACKS

Wall Mounted Racks

These all steel, fully welded racks are just the ticket for mounting equipment on a wall. Manufactured from 1/8" thick steel angle, these racks are plenty sturdy for most any wall mount application. This frame will accommodate up to 200 pounds of equipment when properly installed. Do NOT exceed the load capability of the supporting wall. Specify color when ordering. Mounting hardware sold separately. See page 128 for wall mounted cabinets.



WALL MOUNTED RACK					
FRAME WIDTH	EQUIPMENT WIDTH	FRAME DEPTH	FRAME HEIGHT	PART NUMBER	MAX LOAD
24"	23"	18"	12"	CCWR2418	200#

CUSTOM SIZES AVAILABLE UPON REQUEST.
CALL FOR DETAILS

SEE PAGE 9 FOR AVAILABLE
COLOR OPTIONS