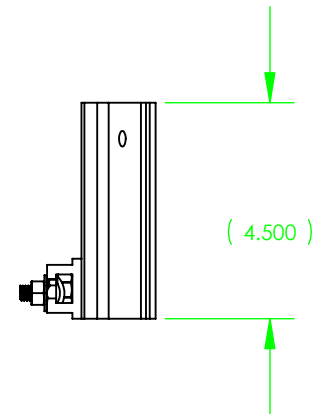
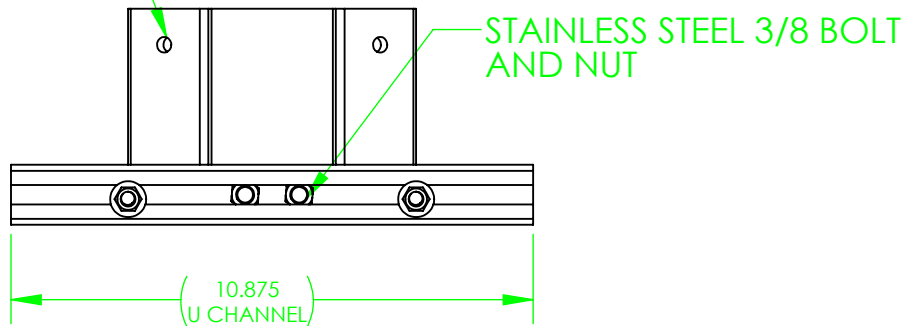


5/16 X 3/4 LONG MODIFIED CARRAGE BOLT
5/16 WASHER AND 5/16 NUT ALL STAINLESS STEEL

CLEARANCE
FOR 5/16 LAG 2X



NOTES:
SMM-003 kit consist of two alumimun standoff assemblies with 5/16 stainless steel mounting hardware. There are two clearance holes for 5/16 lag for securing the bracket to a pole.

Nehrwess Inc.

1412 E ST. RD. 250 BROWNSTOWN IN. 47220

WEB PAGE www.nehrwess.net

PHONE 812-358-4593 FAX 812-358-4594

EMAIL: sales@nehrwess.net

DRAWN BY	ARN	MATL.	SCALE	CUSTOMER
DATE		RC	DWG. NO.	PROJECT
QTY		SHEET OF	SMM 003	PART NAME
				SMM 003