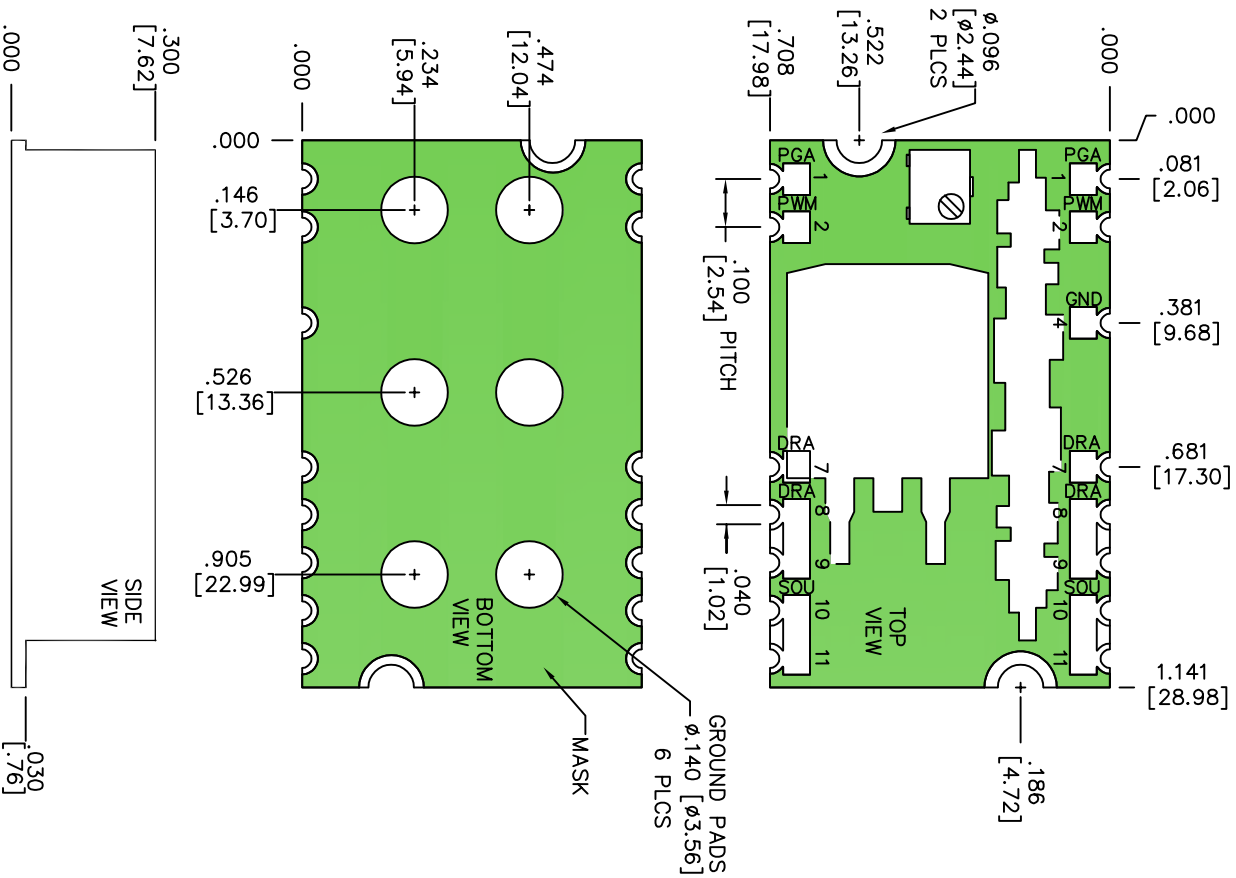
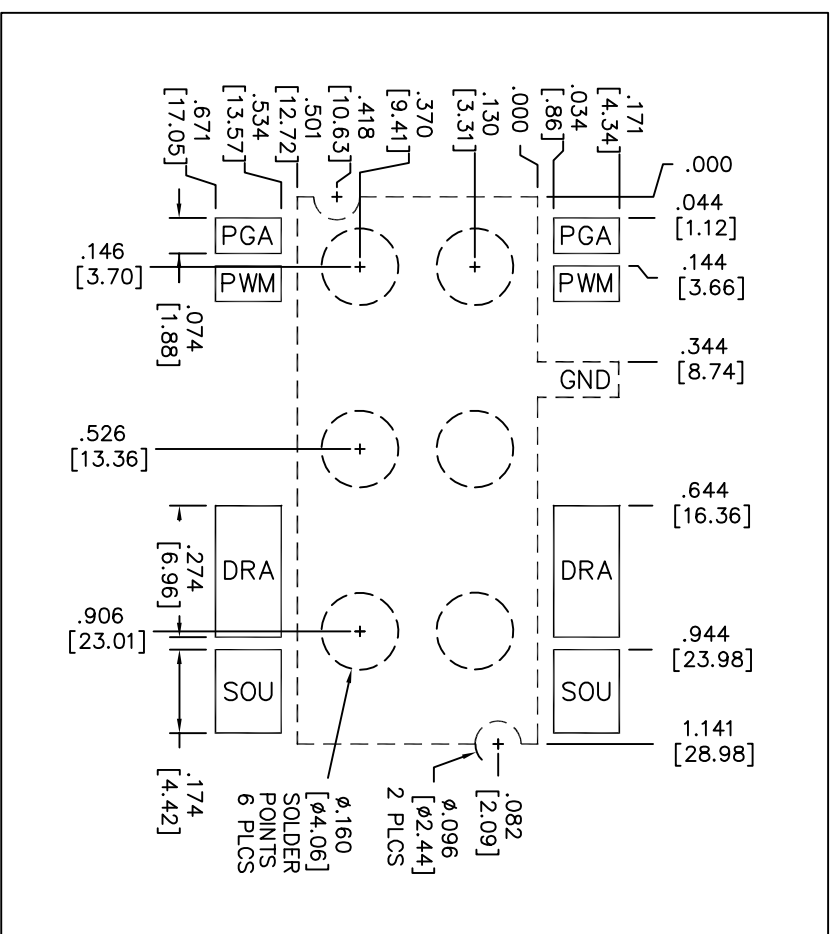


630EC, 640EC OUTLINE



630EC, 640EC LAND PATTERN



TOLERANCE IS ± 0.005 " [0.13mm]
UNLESS OTHERWISE SPECIFIED



REF: E420037