



Name: _____

Date: _____

Problem Sum Worksheet

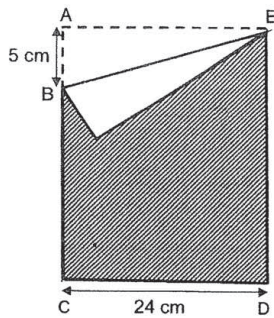
Topic : Triangles

Video Solution: <http://www.omyclassroom.com/area-of-t-56.html>



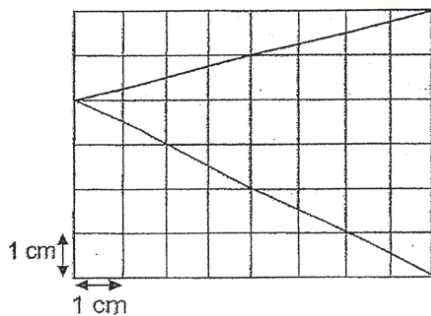
Topic 1 : Big triangle minus small triangle - Qn 1 (Difficulty: Medium)

The figure below shows a rectangular piece of paper ACDE with an area of 744 cm^2 . It is folded along EB. What is the area of the shaded figure?



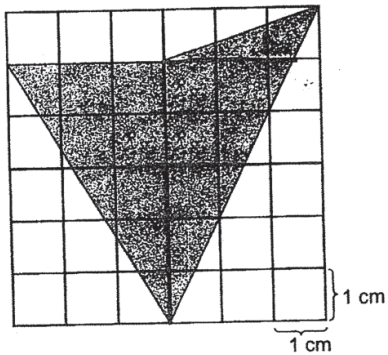
Topic 2 : Simple area of triangle - Qn 1 (Difficulty: Low)

What is the area of the triangle below?



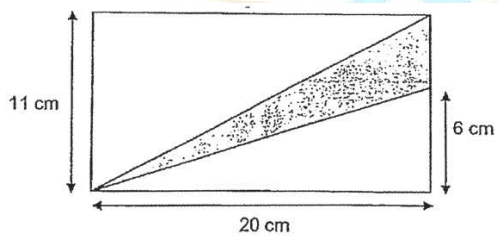
Topic 2 : Simple area of triangle - Qn 2 (Difficulty: Low)

Find the area of the shaded figure.



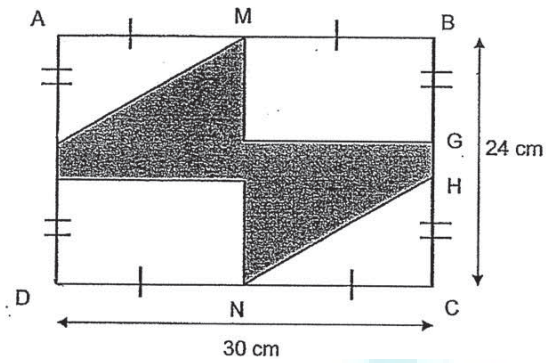
Topic 2 : Simple area of triangle - Qn 3 (Difficulty: Low)

Find the area of the shaded triangle.



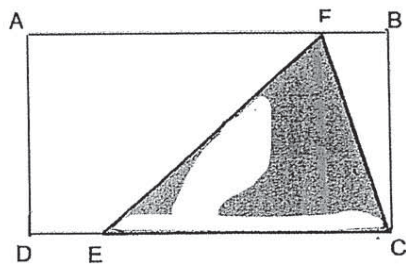
Topic 3 : Square and Rectangle Qn 1 (Difficulty: Medium)

In the figure below, ABCD is a rectangle. M is the midpoint of AB and N is the midpoint of DC. $AE = FD = BG = HC$ and $EF = GH = 4$ cm. Find the area of the shaded part.



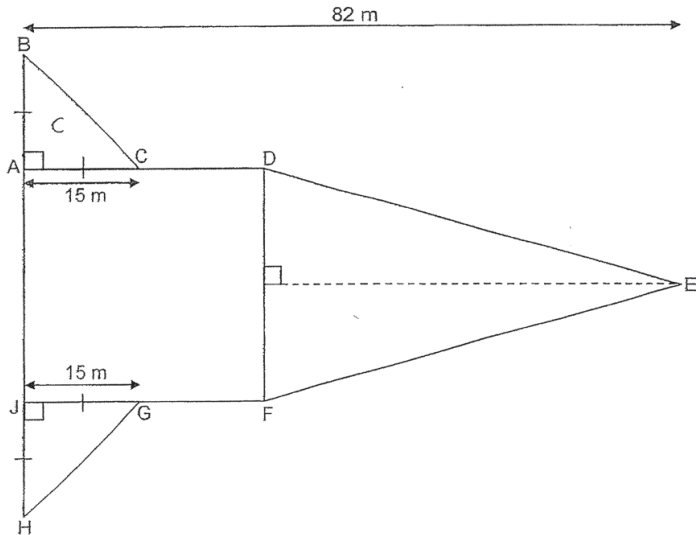
Topic 3 : Square and Rectangle Qn 2 (Difficulty: Medium)

The area of rectangle ABCD is 216 cm^2 . DE is $\frac{1}{4}$ of DC. What is the area of the shaded triangle EFC?



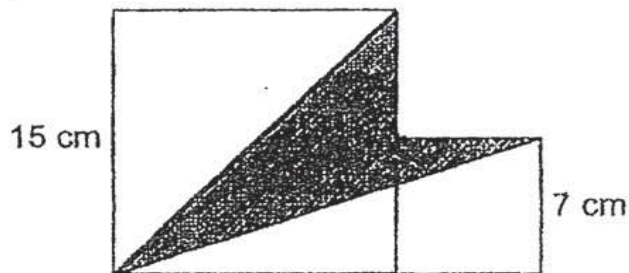
Topic 3 : Square and Rectangle Qn 3 (Difficulty: Medium)

The figure below is made up of 3 triangles and a square. The length of AD is two times of the length of AC. What is the area of the whole figure?



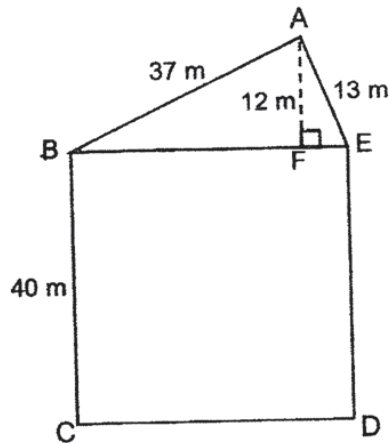
Topic 3 : Square and Rectangle Qn 4 (Difficulty: Medium)

The figure below is made up of 2 squares. Find the area of the shaded part.



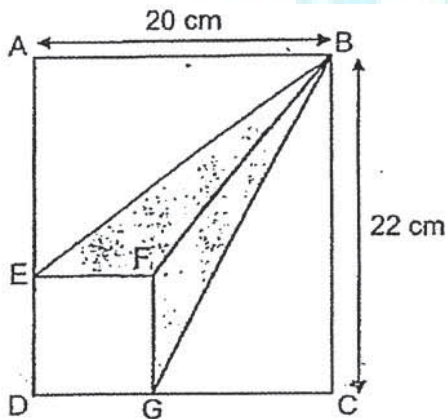
Topic 3 : Square and Rectangle Qn 5 (Difficulty: Low)

Figure ABCDE is made up of a square and a triangle. The square has a side of 40 m. $AB = 37$ m, $AE = 13$ m and $AF = 12$ m. What is the area of Figure ABCDE?



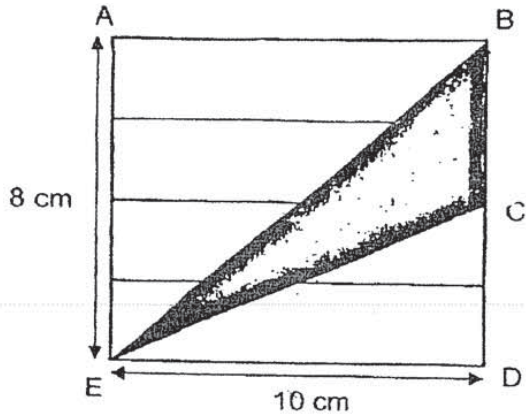
Topic 3 : Square and Rectangle Qn 6 (Difficulty: Low)

In the figure below, ABCD is a rectangle and EFGD is a square with an area of 64 cm^2 . Find the total area of the shaded parts.



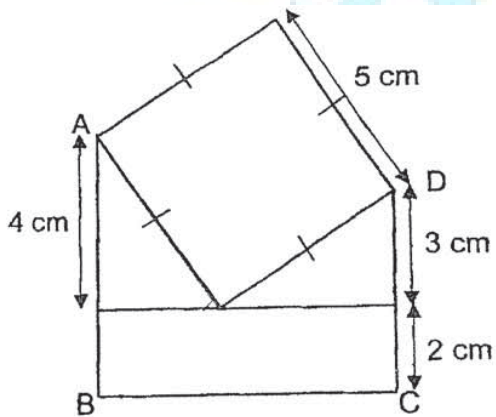
Topic 3 : Square and Rectangle Qn 7 (Difficulty: Low)

ABDE is a rectangle which is made up of 4 smaller identical rectangles. BCE is a shaded triangle. The length of BC is half that of AE. DE is 10 cm and AE is 8 cm. Find the total area of the unshaded parts.



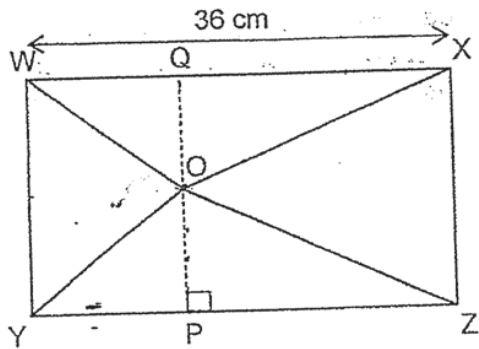
Topic 3 : Square and Rectangle Qn 8 (Difficulty: Medium)

The following figure is made up of a square, a rectangle and 2 identical triangles. AB and CD are straight lines.



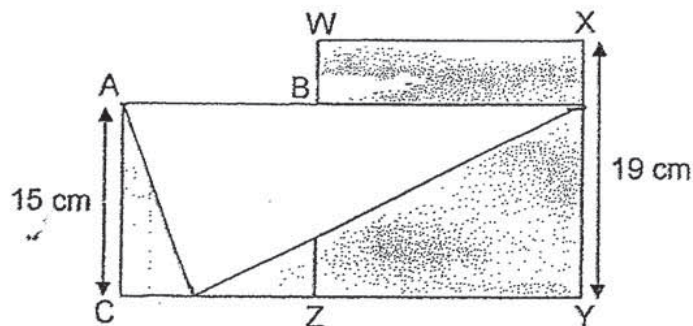
Topic 3 : Square and Rectangle Qn 9 (Difficulty: Medium)

The rectangle below is made up of 4 triangles and PQ is a straight line. The area of triangle WOY is 100 cm^2 and the area of triangle XOZ is twice that of triangle WOY. Given that Line OQ is 7 cm , find the area of YOZ.



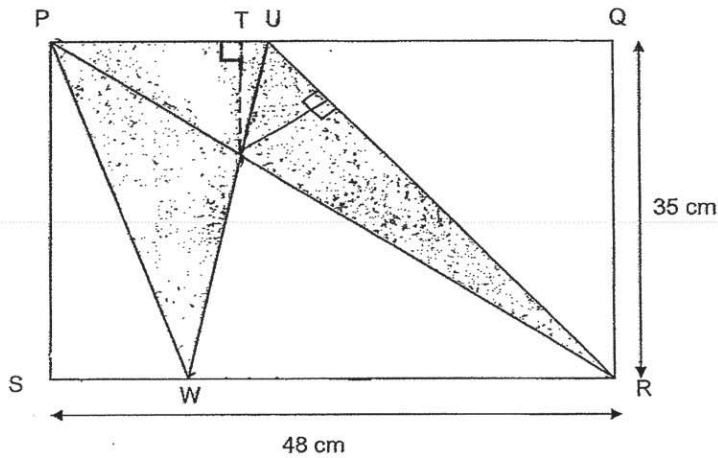
Topic 3 : Square and Rectangle Qn 10 (Difficulty: Medium)

The figure below is made up of 2 squares and a triangle. Find the shaded area.



Topic 3 : Square and Rectangle Qn 11 (Difficulty: Low)

PQRS is a rectangle. The length of PQ is three times the length of PU. The length of TV is 10 cm. Find the total area of the shaded parts.



Topic 3 : Square and Rectangle Qn 12 (Difficulty: High)

ABCE is a square and EHJ is a rectangle. $HG = GF = FE$. Find the total area of the 2 shaded triangles.

