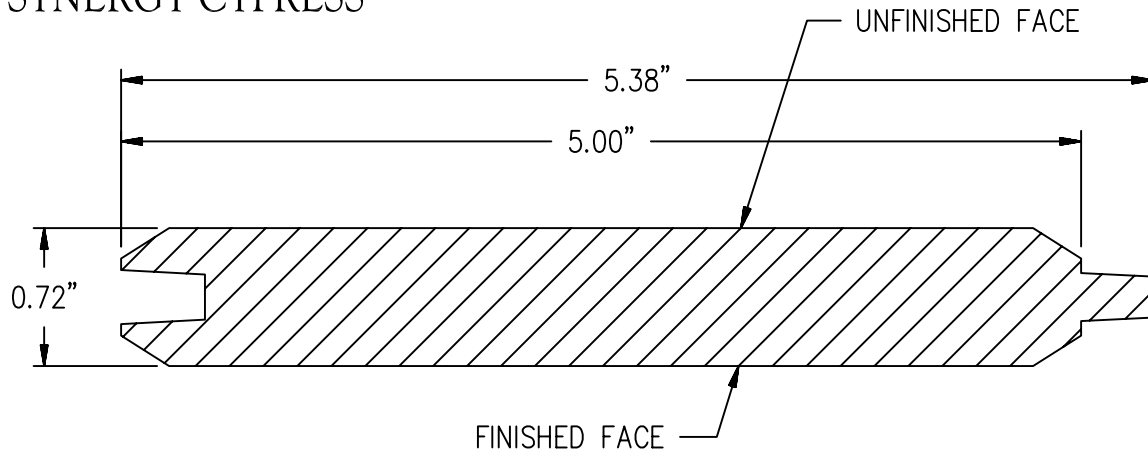




SYNERGY CYPRESS

TONGUE & GROOVE

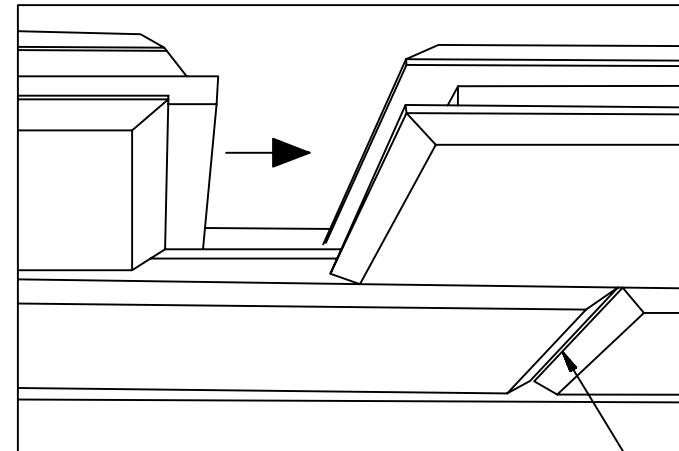


TONGUE & GROOVE SECTION

TO CONVERT SQUARE FOOTAGE NEEDED ON A JOB TO LINEAL FOOTAGE, TAKE THE SQUARE FEET DIVIDED BY $\frac{5}{12}$ OR .417

EXAMPLE:
650 SQUARE FEET / .417 = 1,560 LINEAL FEET

INSTALL TONGUE & GROOVE TO RUN PERPENDICULAR TO RAFTERS.



END-MATCHED SEAM

TYPICAL INSTALLATION

SCALE FULL

THE INFORMATION ON THIS DRAWING IS THE SOLE PROPERTY OF SYNERGY WOOD PRODUCTS, INC., AND MAY NOT BE COPIED OR REPRODUCED IN ANY WAY WITHOUT WRITTEN CONSENT FROM SYNERGY WOOD PRODUCTS, INC.

DATE

DESIGNER

DRAFTER



SYNERGY WOOD PRODUCTS, INC.

7306 Sandscove Court Winter Park, FL 32792

Toll Free 866-791-6714 Fax 407-679-1108

SHEET

1

JOB NO.