



# FIRE DAMPER

**MODEL:**  
**75DCR (1-1/2 HR rating)**



**75DCR**

### APPLICATION

The model 75DCR is a Lloyd industries' fire damper with blades "Out of Air Stream". It is approved for use in walls, floors, and partitions with fire resistance ratings less than 2 hours. This model carries a 1-1/2 hour UL fire damper label.

### RATING:

**UL CLASSIFIED:**

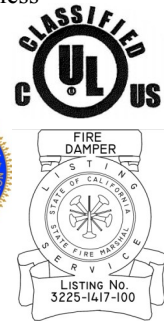
UL 555 Fire Resistance Rating  
Fire resistance rated 1-1/2 Hours  
Partitions rated 2 Hours or less

### Standard Construction

- Frame: 22 ga. Galvanized Steel
- Blade: 22 ga. Galvanized Steel
- Closure Spring: Stainless Steel
- Fusible Link: 165°F
- Mounting: Horizontal or Vertical

Model 75D-CR meets the requirements for fire dampers established by:

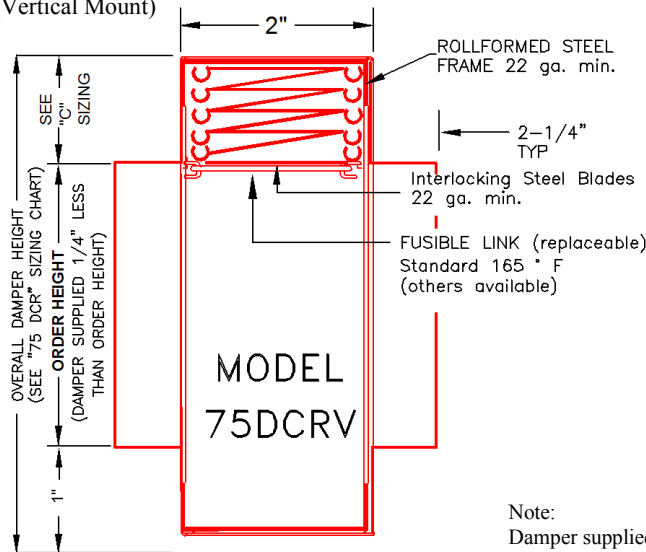
**CSFM California State Fire Marshal  
Fire Damper Listing (#3225-1417:102)  
New York City (MEA listing #215-99-E)**



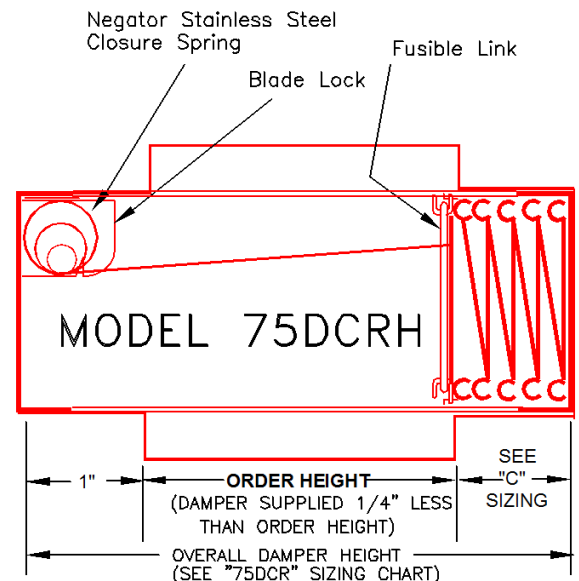
	Single Section			
	Minimum Size(WxH)	Maximum Size (WxH)	Minimum Diameter	Maximum Diameter
Vertical	4"x4"	48"x49"	3"	40"
Horizontal	4"x4"	41"x36"	3"	28"

Model: 75DCRH  
(Horizontal Mount)

Model: 75DCRV  
(Vertical Mount)



(V) VERTICAL MOUNT



(H) HORIZONTAL MOUNT  
HORIZONTAL MOUNTING MODEL INCLUDES STAINLESS STEEL NEGATOR SPRING AND BLADE LOCKS





# FIRE DAMPER

**MODEL:**  
**75DCR-DY (1-1/2 HR rating)**



**75DCR-DY**

### APPLICATION

The model 75DCR-DY is a Lloyd industries' fire damper with blades "Out of Air Stream". It is approved for use in walls, floors, and partitions with fire resistance ratings less than 2 hours. This model carries a 1-1/2 hour UL fire damper label.

### RATING:

**UL CLASSIFIED:**

UL 555 Fire Resistance Rating  
Fire resistance rated 1-1/2 Hours  
Partitions rated 2 Hours or less

### Standard Construction

- Frame: 22 ga. Galvanized Steel
- Blade: 22 ga. Galvanized Steel
- Closure Spring: Stainless Steel
- Fusible Link: 165°F
- Mounting: Horizontal or Vertical

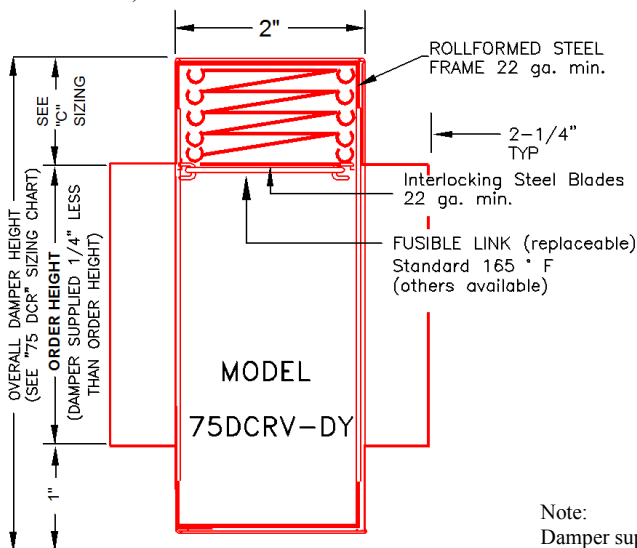
Model 75DCR-DY meets the requirements for fire dampers established by:

**CSFM California State Fire Marshal  
Fire Damper Listing (#3225-1417:102)  
New York City (MEA listing #215-99-E)**



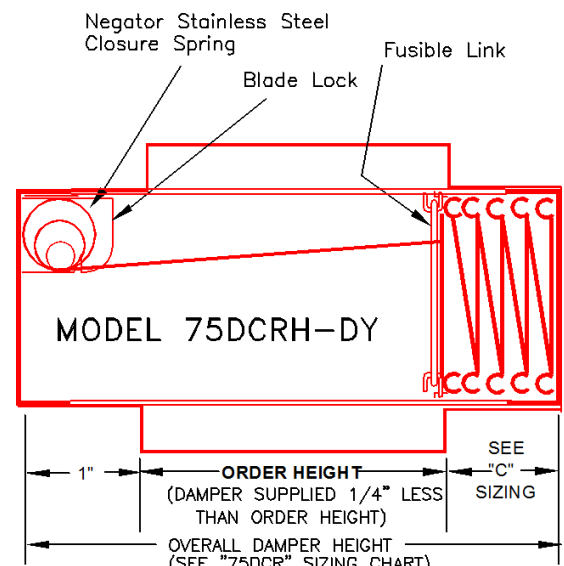
	Single Section			
	Minimum Size(WxH)	Maximum Size (WxH)	Minimum Diameter	Maximum Diameter
Vertical	4"x4"	24"x24"	3"	18"
Horizontal	4"x4"	24"x24"	3"	18"

Model: 75DCRV-DY  
(Vertical Mount)



(V) VERTICAL MOUNT

Model: 75DCRH-DY  
(Horizontal Mount)



(H) HORIZONTAL MOUNT  
HORIZONTAL MOUNTING MODEL INCLUDES STAINLESS STEEL NEGATOR SPRING AND BLADE LOCKS

Note:  
Damper supplied 1/4" less than order Width and Height.



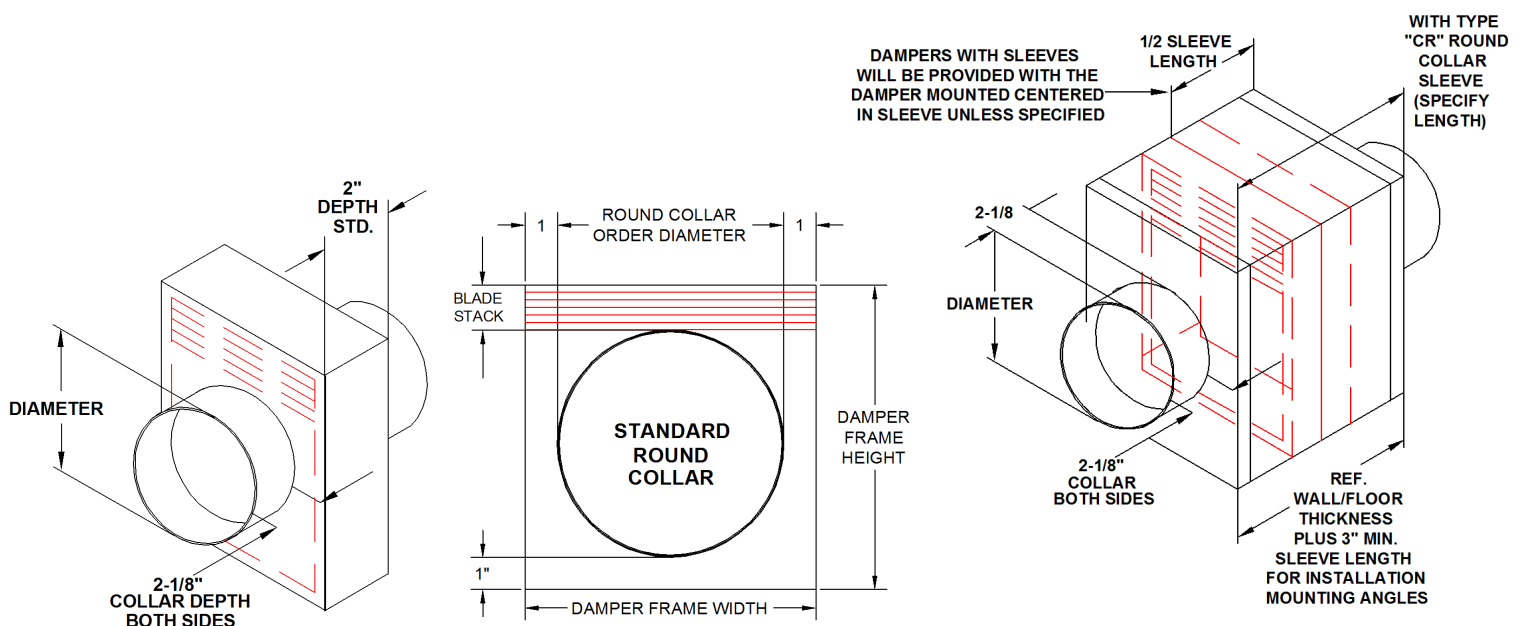


**FIRE DAMPER**

**Standard Round Sizing Chart for Model 75DCR and 75DCR-DY**

Round Collar Dia.	Nominal Damper Width	Nominal Damper Height	Round Collar Dia.	Nominal Damper Width	Overall Height (Inches)
3	5	6	22	24	28
4	6	7	23	25	29
5	7	8	24	26	31
6	8	9	25	27	32
7	9	11	26	28	33
8	10	12	27	29	34
9	11	13	28	30	36
10	12	14	29	31	37
11	13	15	30	32	38
12	14	17	31	33	39
13	15	18	32	34	40
14	16	19	33	35	41
15	17	20	34	36	43
16	18	21	35	37	44
17	19	23	36	38	45
18	20	24	37	39	46
19	21	25	38	40	47
20	22	26	39	41	48
21	23	27	40	42	49

**Note: 24" is the maximum height for 75DCR-DY.**



231 Commerce Dr. Montgomeryville, PA 18936  
Tel: 215-412-4445 Fax: 215-412-4409  
Email: lloydind@firedamper.com

138 Industrial Loop West, Orange Park, FL 32073  
Tel: 904-541-1655 Fax: 904-541-1657  
Email: lloydind1@bellsouth.net

B1, 4/F., Luen Ming Hing Factory Building  
36 Mok Cheong St.,  
To Kwa Wan, Kowloon, H. K.  
Tel: 852-2760-4188 Fax: 852-2760-4177  
Email: tatanlexyim@lloydasia.com

