

HEALTHCARE FURNITURE SOLUTIONS WARD FURNITURE



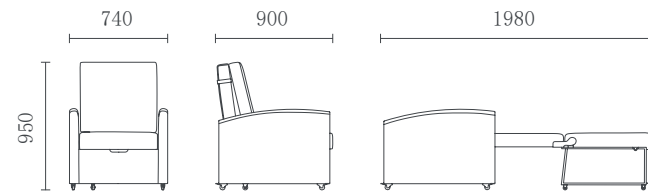
HEALTHCARE FURNITURE SOLUTIONS

Furniture solutions designed to enhance patient comfort and support daily care routines, while ensuring durability and ease of use for healthcare staff. Each element contributes to a calm, functional, and efficient healing environment.

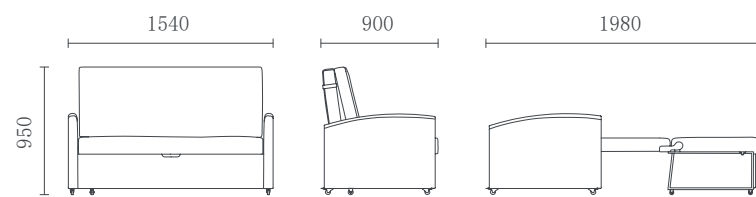
VIP ward reception and caregiver sofa bed



LJ-FY0015 (Single seater)



LJ-FY0015 (Two seater)



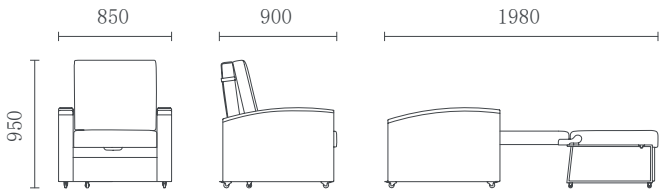
VIP ward reception and caregiver sofa bed



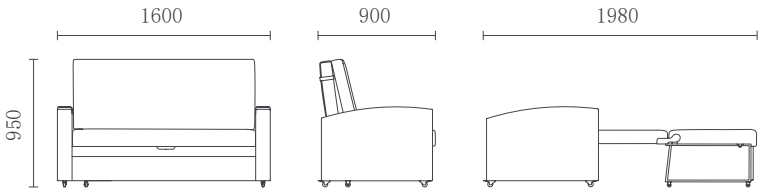
This area has relatively small space compared to VIP suites, but it is also more spacious compared to a multi person ward, which has certain requirements for family care and reception. Therefore, it is more suitable to use a single person accompanying sofa or a combination of single person accompanying sofa and reception chair.



LJ-FY0015-1 (Single seater)



LJ-FY0015-1 (Two seater)

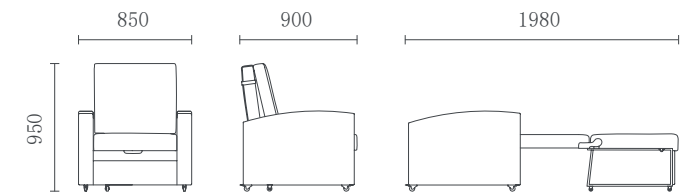




VIP ward reception and caregiver sofa bed



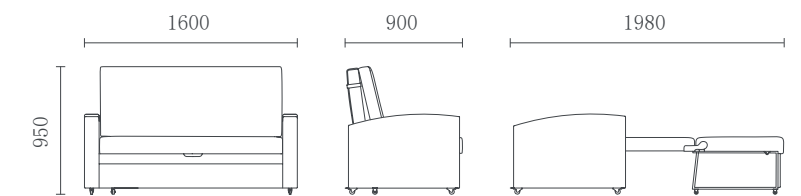
LJ-FY0015-2 (Single seater)



This area has relatively small space compared to VIP suites, but it is also more spacious compared to a multi person ward, which has certain requirements for family care and reception. Therefore, it is more suitable to use a single person accompanying sofa or a combination of single person accompanying sofa and reception chair.



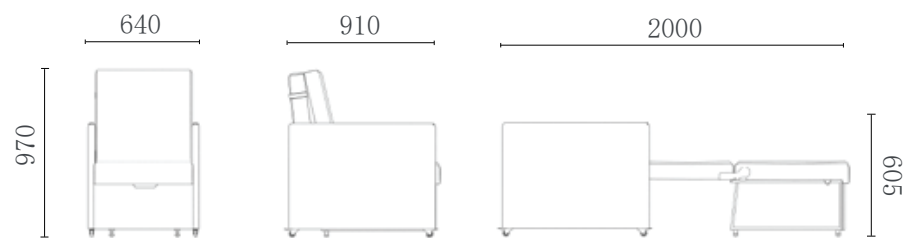
LJ-FY0015-2(Two seater)



Caregiver sofa bed

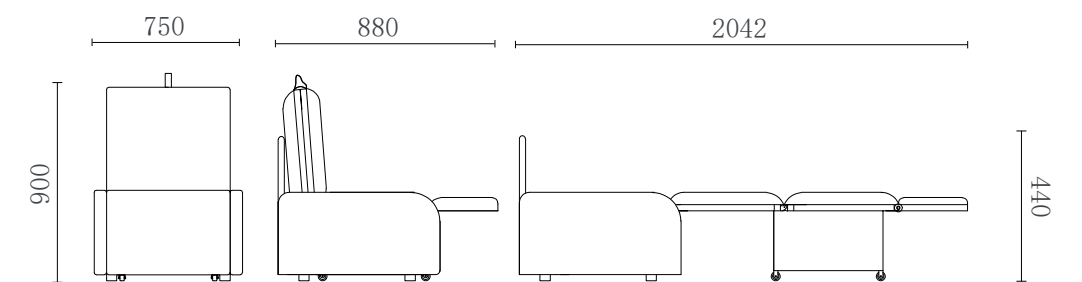


LJ-FY0136



Electric function

LJ-FY0170



Caregiver sofa bed



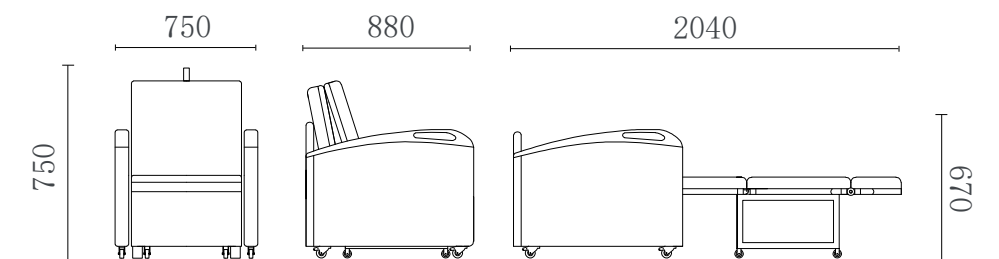
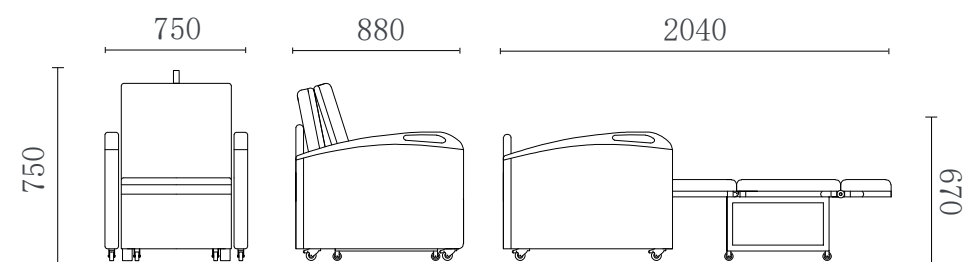
Electric function



LJ-FY0171



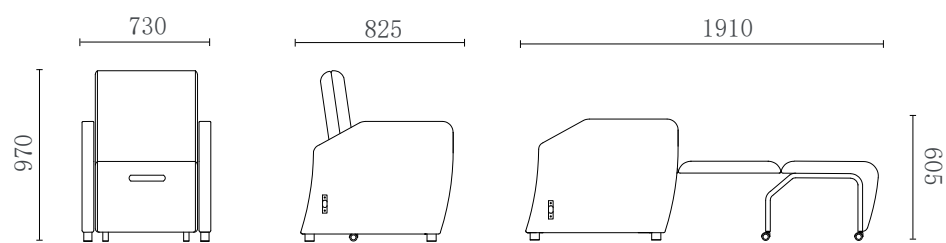
LJ-FY0171-1



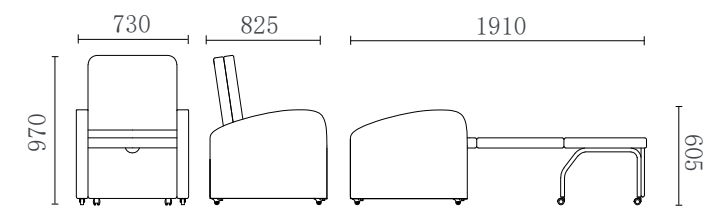
Caregiver sofa bed



LJ-FY0119



LJ-FY0163



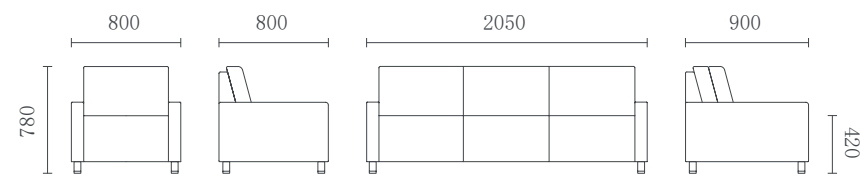


VIP ward reception and caregiver sofa bed

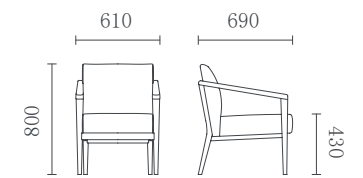
The three seat sofa has both reception and accompanying functions. When folded up, it can be used as a reception sofa, and when there is a need for accompanying care, it can be opened and used as an accompanying bed. The operation is simple and practical, and the limited space in the hospital is maximized; Also paired with a single seat and coffee table, it is more cozy and suitable for VIP wards, maternity centers, etc.



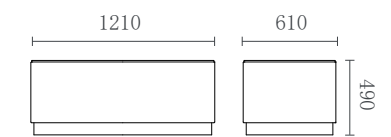
LJ-FY0065



LJ-R70385



LJ-TY0001



VIP ward reception and caregiver sofa bed

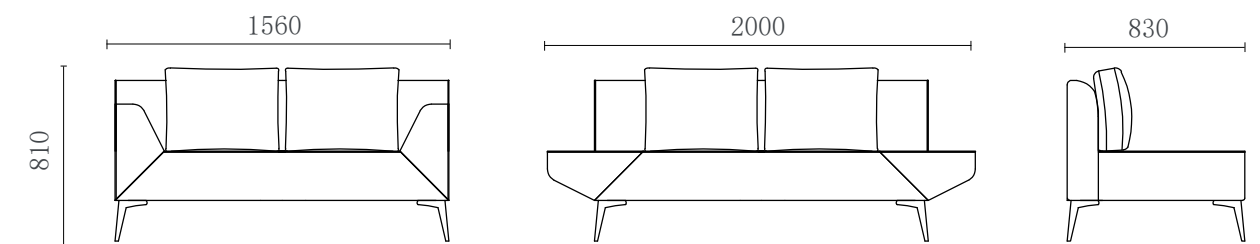
The three seat sofa has both reception and accompanying functions. When folded up, it can be used as a reception sofa, and when there is a need for accompanying care, it can be opened and used as an accompanying bed. The operation is simple and practical, and the limited space in the hospital is maximized; Also paired with a single seat and coffee table, it is more cozy and suitable for VIP wards, maternity centers, etc.



The armrest can rotate 360°.



LJ-FY0177



VIP ward reception and caregiver sofa bed



LJ-FY0175



Folded : W1150×D890×H830
Unfolded View : W2080×D890×H650



Extra-large storage space



VIP ward reception and caregiver sofa bed

The three seat sofa has both reception and accompanying functions. When folded up, it can be used as a reception sofa, and when there is a need for accompanying care, it can be opened and used as an accompanying bed. The operation is simple and practical, and the limited space in the hospital is maximized; Also paired with a single seat and coffee table, it is more cozy and suitable for VIP wards, maternity centers, etc.



LJ-FY31282



Folded : W2060×D700×H790

Unfolded View : W2060×D1300×H790





Designed for patients with limited mobility

1. Lying flat can meet the needs of patients for rehabilitation and leisure activities.
2. The assist form (low in front and high in back) is convenient for patients with mobility difficulties to get up.
3. Equipped with a handheld retractable controller, it can be easily operated from any angle.
4. Equipped with independent brake casters, it can be unlocked or locked according to actual application scenarios, making it easy to move.



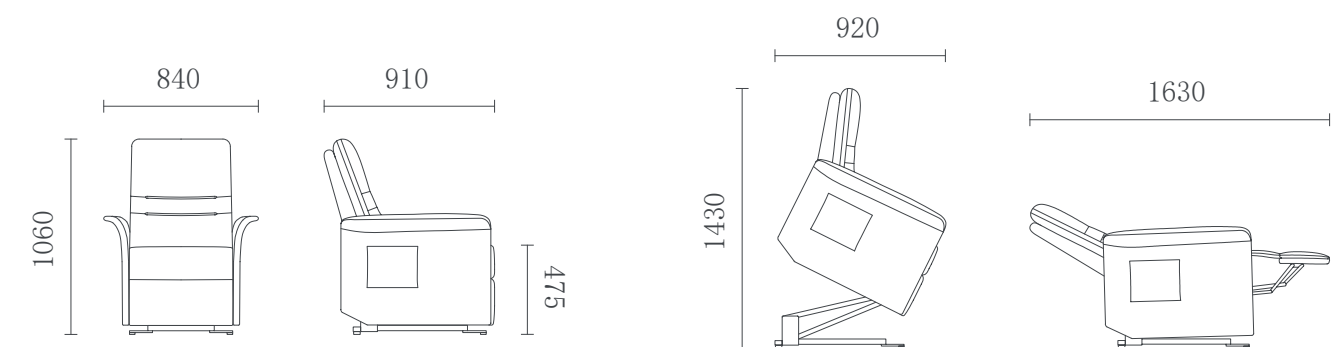
VIP Ward rehabilitation Assistance sofa



Electric function



LJ-FY0137



Ward nursing chairs



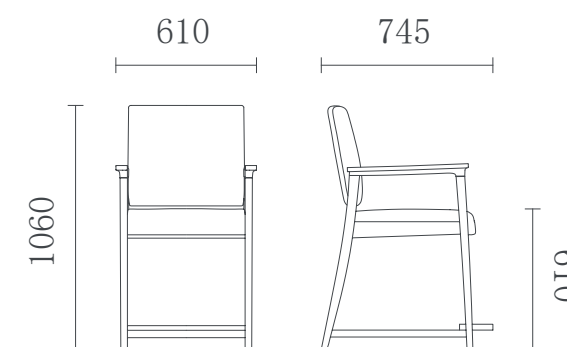
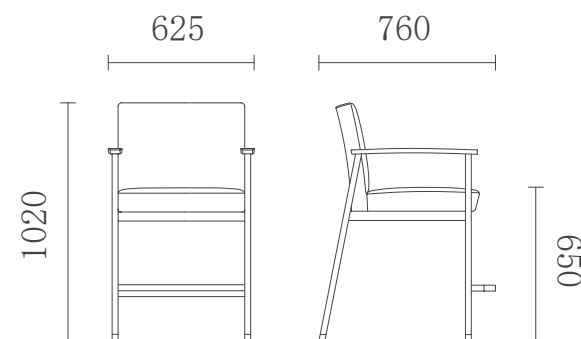
Designed according to the nursing needs of special patients (orthopedics, etc.), the seat cushion is much higher than the ground, making it convenient for patients to naturally lower their legs for diagnosis, treatment, or care; Suitable for nursing areas in special departments such as orthopedics.



LJ-WJ0011



LJ-RY0012

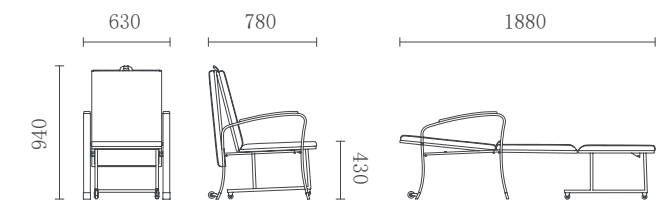




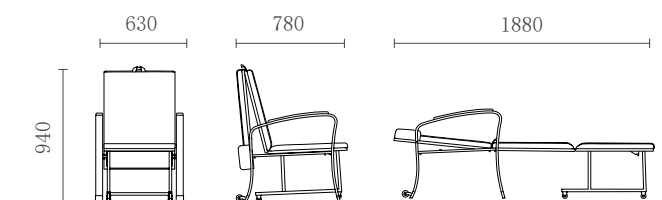
Multi-person ward companion chair



LJ-Z30378



LJ-Z30378-1



When folded up, it serves as a seat and opened as an accompanying bed, maximizing the limited space utilization of the hospital. The armrest arch bridge design not only has a beautiful appearance, but also conforms to ergonomics (making it easy for users to get up). Additionally, the armrest is equipped with soft PU for a comfortable, warm, durable, and easy to clean feel, making it suitable for multi person wards.

This type of ward has the smallest space and higher requirements for space utilization, so it is only suitable for placing smaller accompanying chairs,



Multi-person ward companion chair

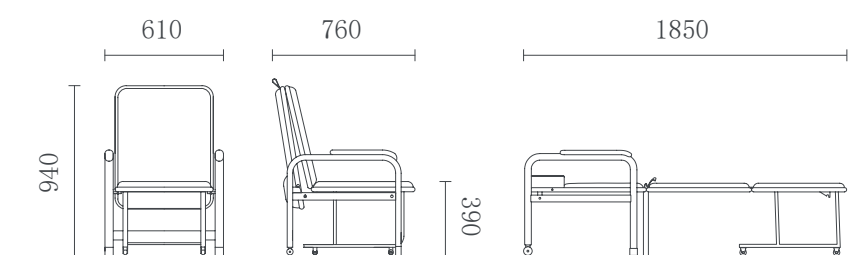


LJ-Z30389



LJ-Z30389L

Multi functional design, used as a reception chair when folded up, and as an accompanying bed when opened, greatly saving usage space. The height and interior space of the armrest have been improved compared to conventional products on the market, and the card slot has been optimized into a card wheel type, making operation more convenient.



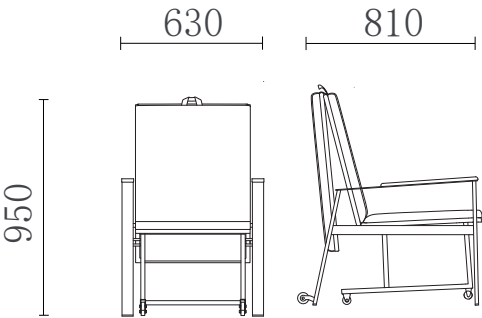
Multi-person ward companion chair



LJ-Z0161H



Multi functional design, used as a reception chair when folded up, and as an accompanying bed when opened, greatly saving usage space. The height and interior space of the armrest have been improved compared to conventional products on the market, and the card slot has been optimized into a card wheel type, making operation more convenient.

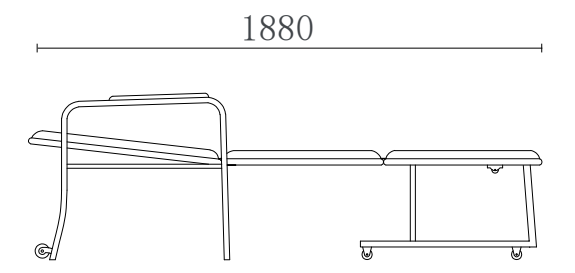
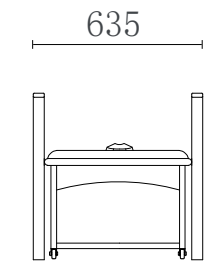




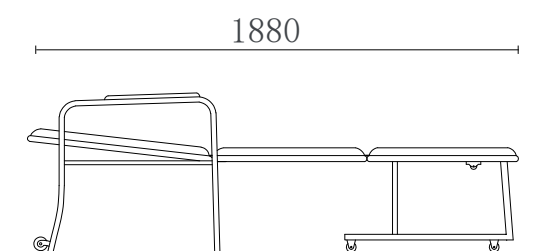
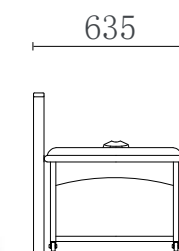
Multi-person ward
companion chair



LJ-Z0165H



Multi functional design, used as a reception chair when folded up, and as an accompanying bed when opened, greatly saving usage space. The height and interior space of the armrest have been improved compared to conventional products on the market, and the card slot has been optimized into a card wheel type, making operation more convenient.



LJ-Z0165H-1

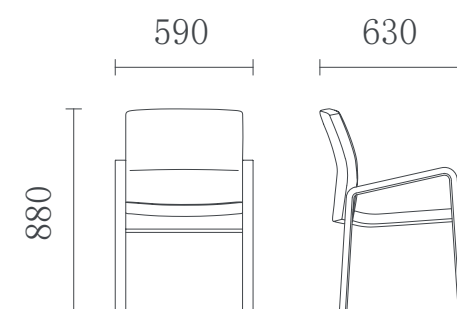
Multi person ward

Ward reception chair

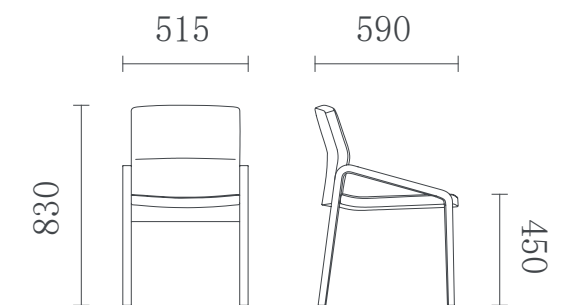
The combination of solid wood and soft bags endows the product with vitality through personalized appearance design. High quality white wax wood armrest surface, warm and easy to clean, two types of armrest shapes can meet the different spatial needs of hospitals, such as the treatment area, waiting area, dining area, etc.



LJ-W3681

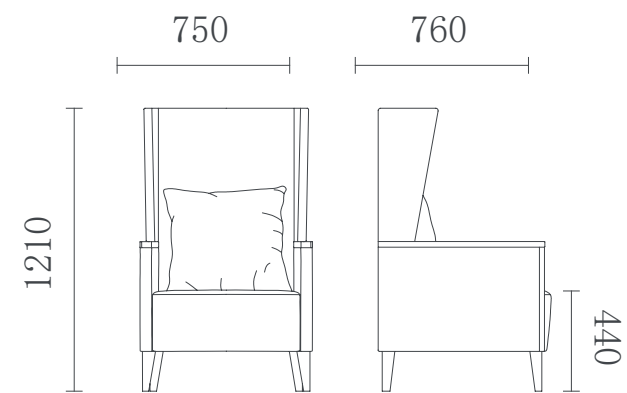


LJ-W3680



Pregnant women's waiting chair

All solid wood+soft bag design, warm and practical, with a backrest that is higher than the user's head and semi private design, more comfortable while also having better privacy!
High quality white wax wood armrest surface, warm and easy to clean.



LJ-F30373

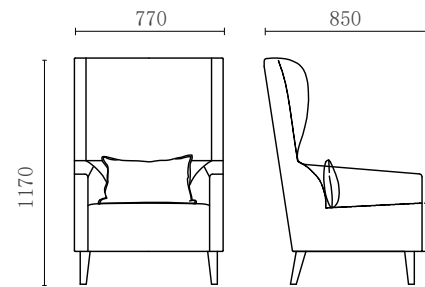


Pregnant women's waiting chair

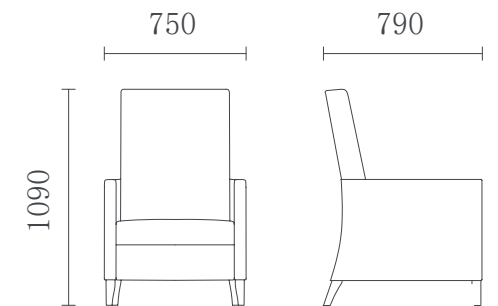
The seat and backrest are filled with high-density foam and covered with high-quality leather, ensuring good comfort and support. The choice of soft bag material can effectively alleviate the fatigue caused by long waiting time, and provide more intimate care for female patients. The color of the chair is chosen in warm and soft tones, aiming to create a soothing and relaxing environment for female patients. The collocation of colors not only enhances the overall beauty of the waiting area, but also relieves the tension of patients to a certain extent



LJ-FY00060



LJ-FY00037





LJ-WY0082

LJ-RY0010



Breastfeeding chair

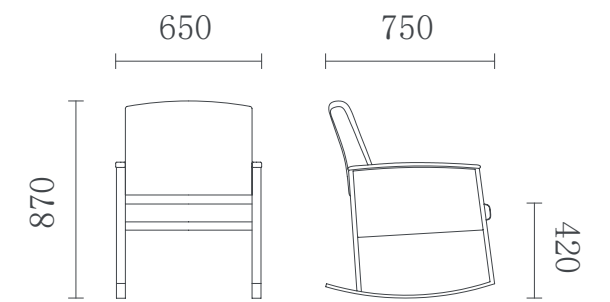
The nursing chair is designed in accordance with ergonomic principles and has a backrest and cushion that conform to the human body curve to provide good back and waist support. The high back design can support the mother's head and neck, relieving fatigue caused by prolonged breastfeeding. It is equipped with a gentle rocking function to help soothe the baby to sleep. This function not only helps to strengthen the emotional connection between mother and baby, but also helps the mother to be more relaxed while breastfeeding. The wide and soft armrests provide a comfortable arm support for the mother and reduce arm fatigue caused by holding the baby for a long time. Its modern feel and functionality make it not only suitable for family use, but also suitable for public places such as hospitals and mother and baby rooms.



Breastfeeding chair

Specially designed according to the actual needs of postpartum mothers, the foot rest adopts a curved and carefree design, which is convenient for breastfeeding and sleeping babies.

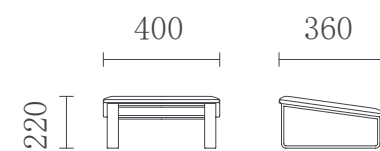
The backrest design is more in line with the ergonomic needs of postpartum women, ensuring maximum comfort.



LJ-WY0039

LJ-RY0010

Additionally, the addition of foot pedal design greatly enhances user comfort! Suitable for postpartum wards and postpartum centers.

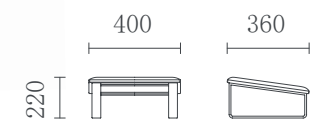




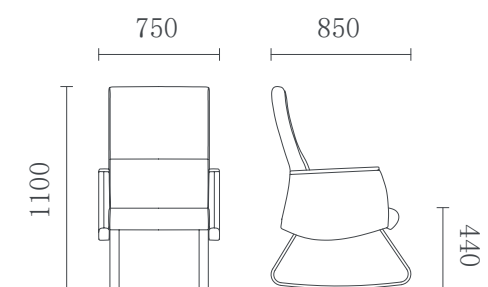
Breastfeeding chair



LJ-RY0010



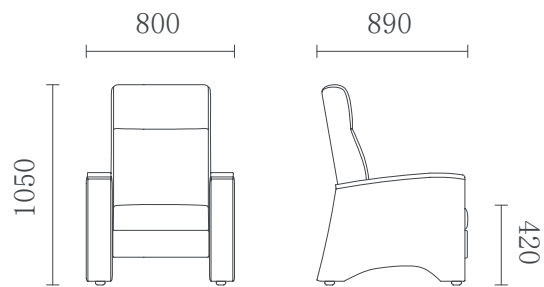
LJ-WY0009



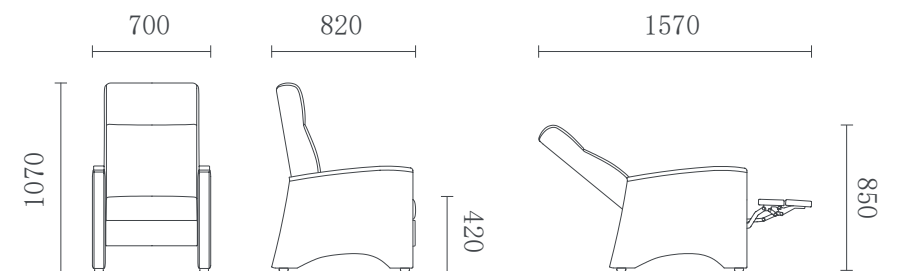
Companion sofa



LJ-FY0008-2



LJ-FY0008





Fabric

1. Excellent corrosion resistance, UV disinfection resistance and anti-aging performance

The corrosion resistance of medical cleaning agents and disinfectants (glutaraldehyde, phenol concentrate, bleach, quaternary ammonium chloride+methanol, isopropanol, hydrogen peroxide, ANDEFU, etc.) that meet the hospital's hospital sense requirements is more than 650 hours, and has excellent ultraviolet disinfection resistance and anti-aging performance.

2. High wear resistance and durability

The fabric has a durability period of more than 3 years, and the wear resistance of Martindale reaches over 100000 times, making it very suitable for high-frequency usage density in public places such as hospitals.

3. Anti mold, antibacterial, anti harmful microorganisms, and antiviral properties

Conforming to ASTM D4576 and ASTM G21-13 level 0 standards, it reduces the presence of coronavirus by more than 90%, and its activity against coronavirus by 99.9%. It has a 99% killing effect on Staphylococcus aureus (MRSA), Escherichia coli, and Klebsiella pneumoniae.

4. Equipped with 100% waterproof and impermeable ability

The experimental hydrostatic pressure test reaches over 500mm.

Hardware

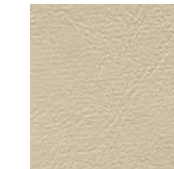
High quality cold rolled steel pipes and plates, with electrostatic powder spraying on the surface, good adhesion, corrosion resistance, and high wear resistance.

304 stainless steel, surface polished and brushed, wear-resistant and corrosion-resistant.

PU Swatches



DX503



DX409



DX1007



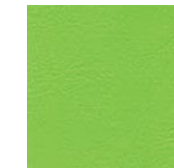
DX410



DX411



DX975



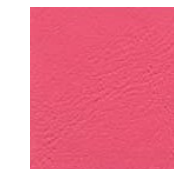
DX976



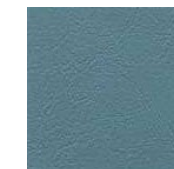
DX977



DX978



DX979



DX850



DX981



DX980



DX982



DX993



DX1352



DX1332



DX1359



DX1302

Contact us :
+966 92000 7575
www.alismail.com

Alismail
الاسماعيل
الصناعة للصناعة
Alismail Industrial


IRONMASTER