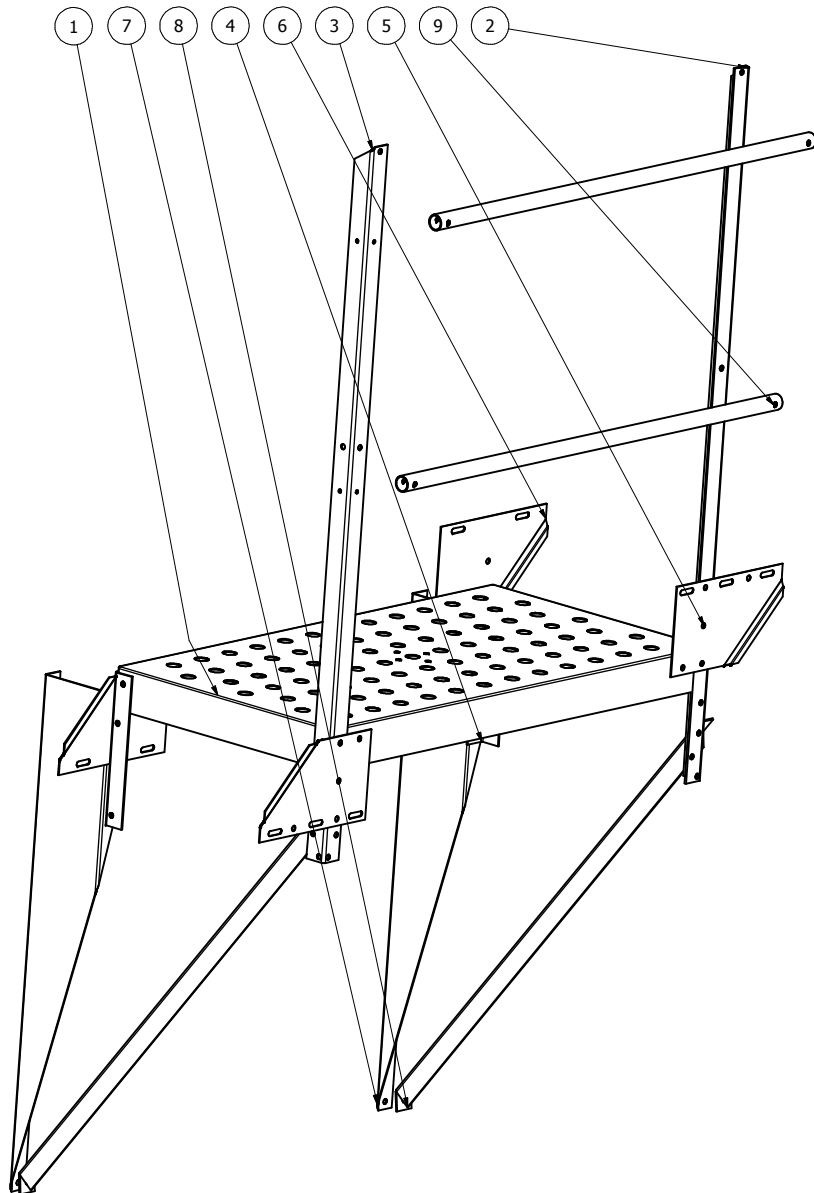


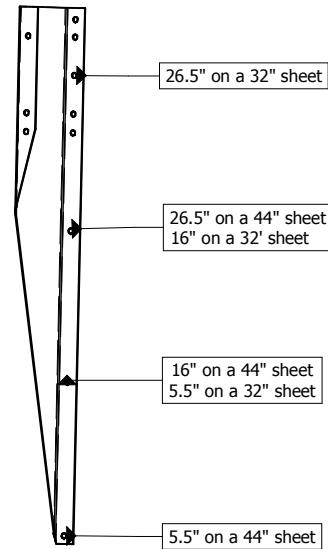
IN-30002

36000 Intermediate Platform



Parts List			
ITEM	QTY	PART NUMBER	DESCRIPTION
1	1	4601 Platform skin	
2	1	4206 Plat Right Post	
3	1	4207 Plat Left Post	
4	2	4205 Plat Short Post	
5	2	4402 Outside Ext	
6	2	4412 inside ext	
7	2	4401 Plat Wall Bracket	
8	2	2208 44 Kneebrace	
9	2	4882 Plat Handrail Long	

When installing an Intermediate Platform the stair section above or below the platform needs to be 1 step shorter to keep the rest of the stairs on the right holes. As on a 44" sidewall a 32" section will be placed either above or below the platform. Then the rest of the stairs will attach in the correct place.



Use diagram on left to set the height of the platform. Align hole marked to the first horizontal seam on the bin. Plumb wall bracket. Drill a hole using wall bracket as a guide at the top and the bottom attach knee brace to bottom hole.

DRAWN Rex A Greene	12/22/2004	TITLE	
CHECKED		TITLE	
QA		TITLE	
MFG		TITLE	
APPROVED		TITLE	
		SIZE C	DWG NO 36000 Intermediate Plat asse
		SCALE	REV
		SHEET 1 OF 1	