

Basic Wiring and Setup Guide

Tools required:
Wire Cutter/Stripper

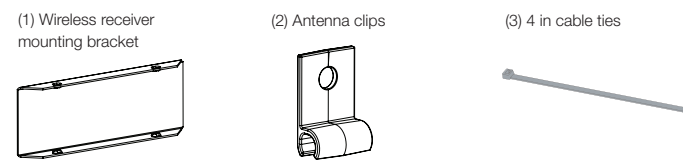
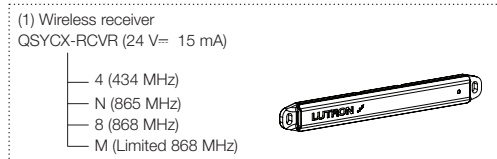
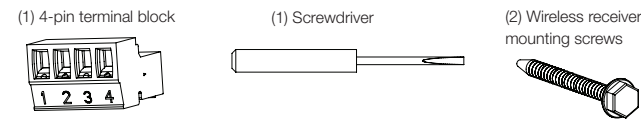
⚠ WARNING: Risk of electric shock. Lock MCB (supply breaker) in the OFF position, or remove fuse, before wiring to terminal block. Failure to do so, could result in death or serious injury.

This Sivoia QS Basic Wiring and Setup Guide is a complement to the Chassis Installation Guide enclosed for the specific shade or drape type ordered. This guide describes the basic wiring and setup requirements for basic operation and to verify the shade or drape is functioning.

Codes: Install in accordance with all local and national electrical codes.

Environment: Ambient operating temperature: 32 °F to 104 °F (0 °C to 40 °C), 0 to 90% humidity, non-condensing. Indoor use only.

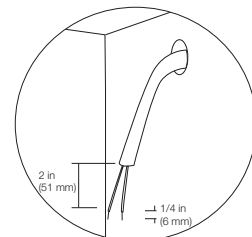
Included items required for Basic Wiring and Setup:



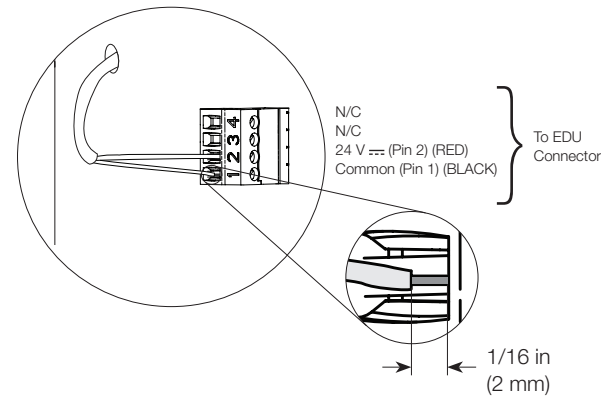
1 Wire 4-pin terminal block

1.1 Strip 2 in (51 mm) of outer jacket off cable coming from the wall.

1.2 Strip 1/4 in (6 mm) insulation off each individual wire.



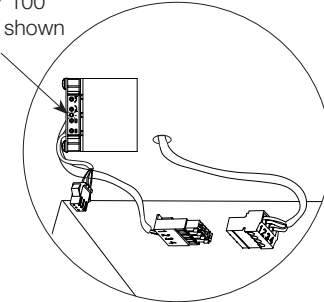
1.3 Wire 4-pin terminal block (provided) to cable using the included screwdriver. Tighten screws securely on the exposed wire. Leave 1/16 in (2 mm) of exposed copper to ensure insulation is not pinched.



2 Connect terminal blocks

2.1 Plug 4-pin terminal block on cable to the shade or drape drive terminal block.

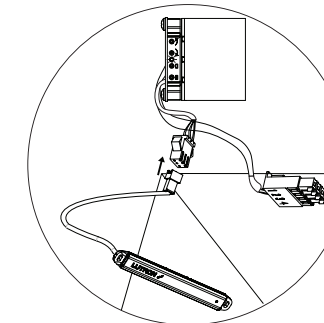
Roller 100
Drive shown



Note: Arrange wires in a location that prevents them from interfering with moving shade or drape.

3 Connect wireless receiver

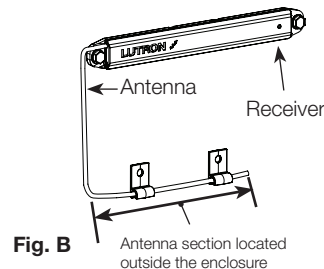
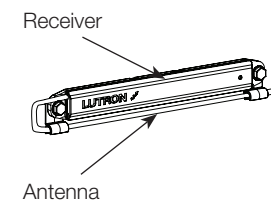
3.1 Plug in the wireless receiver to the shade or drape drive.



4 Mounting the wireless receiver

The receiver can be mounted with the antenna positioned adjacent to the receiver as shown in Fig. A. It can also be positioned, as shown in Fig. B, for use in a fascia or pocket installation. This ensures optimum range in a fascia or pocket application, by allowing a section of the antenna to be located outside the enclosure.

Fig. A



4 Mounting the wireless receiver (continued)

The specific location of the receiver varies depending on the type of installation. Refer to the appropriate figures for your application; Wall Mount, Ceiling Mount, Fascia Mount, Pocket Mount or Drapery Track. The receiver can either be mounted with the screws or the mounting clip, which are both provided.

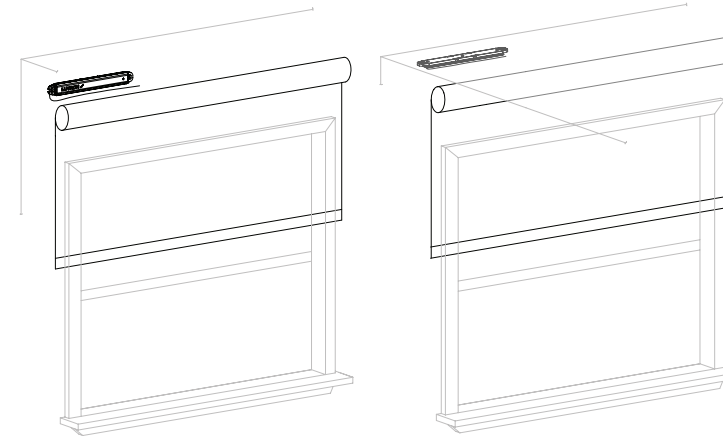


Fig. C
Wall Mount

Fig. D
Ceiling Mount

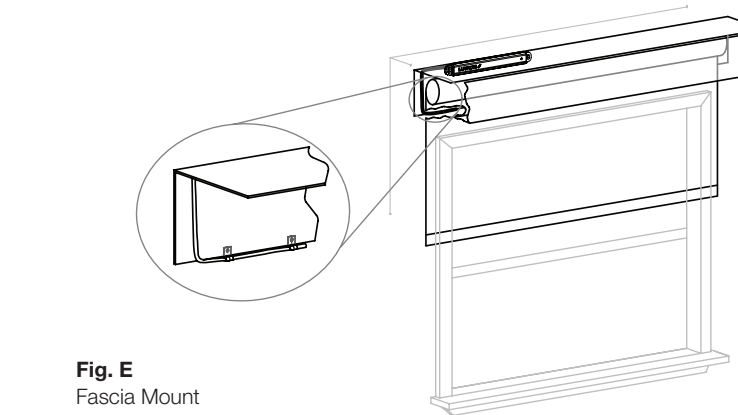


Fig. E
Fascia Mount

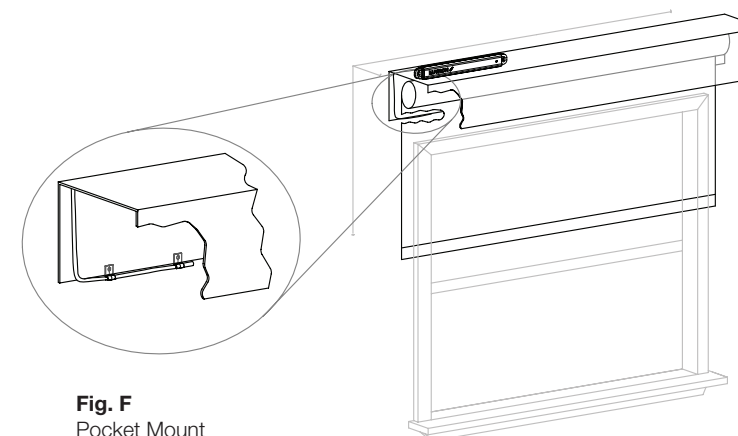


Fig. F
Pocket Mount

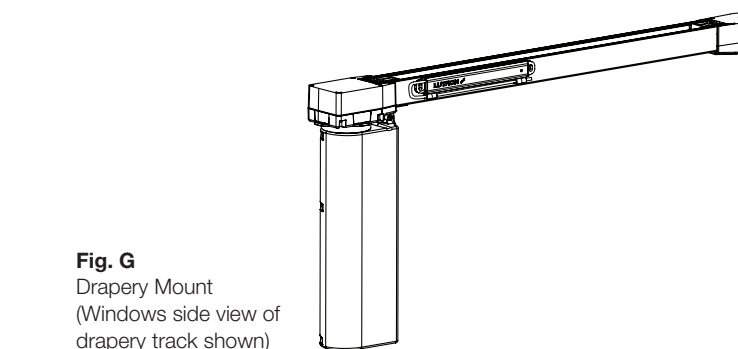


Fig. G
Drapery Mount
(Windows side view of drapery track shown)

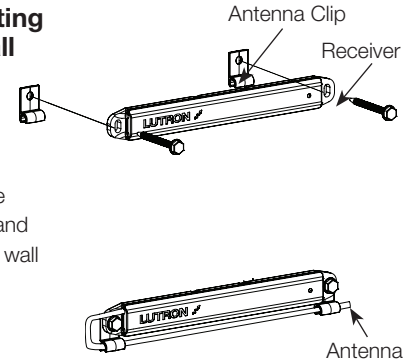
4 Mounting the wireless receiver (continued)

Choose one of the following four mounting options that is appropriate for your application.

Option 1: Screw Mounting the Receiver to the Wall or Ceiling Refer to Fig. C and Fig. D for recommended mounting locations.

1. Insert the screws through the mounting holes in the receiver and antenna clips and attach to the wall or ceiling.

2. Snap the antenna into both antenna clips.



Option 2: Screw Mounting the Receiver in a Fascia or Pocket Enclosure Refer to Fig. E and Fig. F for recommended mounting locations.

1. Insert the screws through the receiver and into the top of the back wall of the pocket or fascia enclosure.

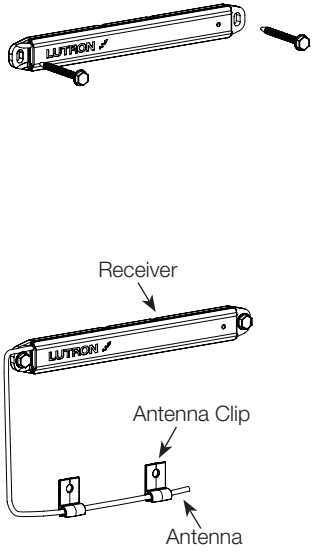
Note: If the installation does not permit the use of screws, refer to **Option 3** (Clip mounting the Receiver).

2. Remove the paper liner from the self-adhesive strip on the antenna clips.

3. Attach the antenna clips in a location that allows a section of the antenna to be exposed at the bottom of the fascia or pocket enclosure. The clips can also be attached using a screw appropriate for the mounting surface

4. Insert the antenna into both antenna clips.

Note: If top/back cover is not being used with the fascia mount installation, mount antenna clips to the wall below the shade tube.



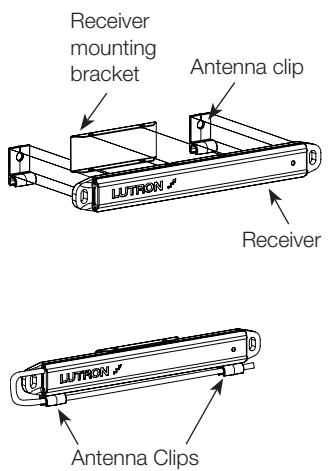
Option 3: Clip Mounting the Receiver to a Wall, Ceiling or Drapery Track Refer to Fig. C, Fig. D and Fig. G for recommended mounting locations.

1. Remove the adhesive liner from the antenna mounting clip and attach to the back of the wireless receiver.

2. Snap the receiver into the receiver clip.

3. Remove the adhesive liner on the receiver mounting bracket and attach to the wall, ceiling or drapery track.

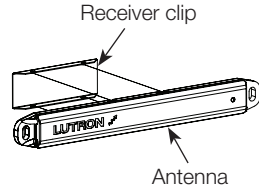
4. Snap the antenna into both antenna clips.



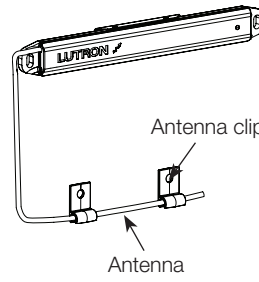
Option 4: Clip Mounting the Receiver to a Fascia or Pocket Enclosure

Refer to Fig. E and Fig. F for recommended mounting locations.

- Remove the adhesive liner from the receiver clip and attach to top of the back wall of the pocket or fascia enclosure.
- Snap the receiver into the receiver clip.
- Remove the adhesive liner from the antenna clips.



- Attach the antenna clips in a location that allows a portion of the antenna to be exposed at the bottom of the fascia or pocket enclosure.



- Insert the antenna into both antenna clips.

Note: The clips can also be attached using a screw appropriate for the mounting surface.

5 Setting limits from the shade or drape drive

The open and close limits define the travel range of the shade or drape. It is recommended that limits be set immediately after installation.

Setting Open Limit

Setting Close Limit

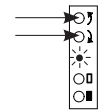
- Tap Open Limit button. The green LED will turn on.



- Tap the Close Limit button. The Green LED will turn on.



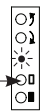
- Move the shade or drape to desired Open Limit by pressing arrow buttons.



- Move the shade or drape to desired Close Limit by pressing arrow buttons.



- Press and hold the Open Limit button until the Green LED flashes. Open Limit is stored.

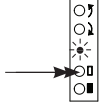


- Press and hold the Close Limit button until the Green LED flashes. Close Limit is stored.

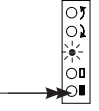


6 Verify limits

- Open Limit**
Verify the open limit by double-tapping the Open Limit button. The shade will travel to the open limit.



- Close Limit**
Verify the close limit by double-tapping the Close Limit button. The shade will travel to the close limit.

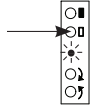


7 Assigning shade(s) or drape(s) to a wireless control

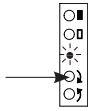
The shade or drape needs to be assigned to a wireless control to enable communication between the shade or drape and the wireless control.

7.1 Placing one or more shade(s) or drape (s) in assignment mode

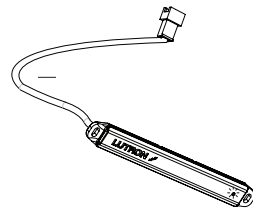
Press and hold the Open Limit button on the drive until its LED flashes green, then turns steady.



- Tap the (⏮) button on the shade or drape drive. The LED on the drive and wireless receiver will flash green twice immediately, and every 4 seconds thereafter. The drive is now ready to be assigned to a wireless control.



- Repeat 7.1 and 7.2 for all drives that are being assigned to the same wireless control. To complete the assignment process, proceed to step 7.4



7.4 Completing the assignment process

Press the bottom close button on the wireless control for 5 seconds. The shade(s) or drape(s) will move a short distance in both directions, or "wiggle", one time. This confirms the drive(s) have been assigned to the wireless control, and exits the control and drive(s) from assignment mode.

- Repeat 7.1 through 7.4 to assign shade(s) or drape(s) to additional wireless controls. The *Sivoia* QS *Wireless* is now installed, wired, the OPEN/CLOSE limits are set, and assigning is complete.

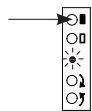
Notes:

- Shade(s) or drape(s) can be assigned to multiple wireless controls.
- To un-assign devices, refer to step 8 - Restoring Factory Default Settings

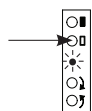
8 Restoring Factory Default Settings

This procedure will un-assign this shade or drape from all wireless controls, but will not affect the open and close limit.

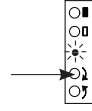
- Press and hold the Close Limit button until the green LED flashes then turns on steady



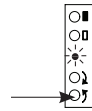
- Press and hold the Open Limit button until the green LED flashes then turns on steady.



- Press and hold the (⏮) button until the green LED flashes then turns on steady.



- Press and hold the (⏮) button until the LED flashes blue once, then flashes red, green, blue, red, green, blue and turns off.



- The factory default settings have now been restored and the drive has been un-assigned from all wireless controls.

9 Troubleshooting

Symptom	Solution
Shade or drape will not move using adjustment buttons on Drive.	Drive is not powered - check Drive Power by unplugging and re-plugging in Drive. LED should flash for 5 seconds. Shade or drape is obstructed on something - Remove obstruction.
Shade or drape does not fully open or fully close.	Limits have been set incorrectly - refer to "Set open limit" and "Set close limit" sections. Shade or drape is obstructed - Remove obstruction.
Wireless controls will not operate shade or drape.	Out of range - move to within 30 ft (9 m) of Wireless receiver Drive(s) not paired to Wireless Control Wireless receiver not plugged into any Drive within range Wireless Control batteries are not providing power - replace them
Drive does not move, and the LED is blinking red slowly four times, and then turning off for 4 seconds	The Drive has reached its maximum run-time. Wait 20 minutes before attempting to move the shade
Drive has its red LED on steady	This Drive is unable to establish communication. Check your wiring
Drive is blinking its blue LED quickly	This Drive does not have enough power to operate properly. Refer to the power supply's instruction sheet to verify your installation This Drive is being powered by an AC supply. Use an approved 24 V--- supply, such as the QSPS-P1-10-60
Keypad does not control shade or sends it to the wrong level	Limits have been set incorrectly - refer to "Set Open Limit" and "Set Close Limit" sections. Refer to the keypad instruction sheet for programming instructions.

FCC Information (For model number QSYC4-RCVR)

Note: This equipment has been tested and found to comply with the limits for a Class B digital device, pursuant to part 15 of the FCC rules. These limits are designed to provide reasonable protection against harmful interference in a residential installation. This equipment generates, uses and can radiate radio frequency energy and, if not installed and used in accordance with the instructions, may cause harmful interference to radio and television reception, which can be determined by turning the equipment off and on. The user is encouraged to try to correct the interference by one or more of the following measures:

- Reorient or relocate the receiving antenna.
- Increase the separation between the equipment and receiver.
- Connect the equipment into an outlet on a circuit different from that to which the receiver is connected.
- Consult the dealer or an experienced radio/TV technician for help.

Note: Changes or modifications not expressly approved by Lutron Electronics Co. could void the user's authority to operate this equipment.

* This device complies with Part 15 of the FCC Rules. Operation is subject to the following two conditions:

- This device may not cause harmful interference and
- This device must accept any interference received, including interference that may cause undesired operation. This Class B digital apparatus complies with Canadian ICES-003.

CE Information (For model numbers QSYC8-RCVR and QSYCM-RCVR)

Lutron Electronics hereby declares that QSYC8-RCVR and QSYCM-RCVR are in compliance with the essential requirements and other relevant provisions of Directive 1999/5/EC. A copy of the DoC can be obtained by writing to: Lutron Electronics Co., Inc. 7200 Suter Road, Coopersburg, PA 18036 U.S.A.



IDA Compliance Information (For model number QSYCM-RCVR)

Complies with IDA standards DA 103083

TRA Compliance Information (For model number QSYC8-RCVR)

TRA
Registered No: ER0037299/10
Dealer No: 0016561/08

Limited Warranty

SCOPE

This limited warranty ("Warranty") covers the Lutron supplied (a) *Sivoia* Shade System ("Sivoia Shade System"), (b) *Sivoia* Shade System ("Sivoia Shade System"), (c) manual shade system and (d) alternating current or a/c shade system (each of the foregoing being a "System"). Customer acknowledges and agrees that use of the System constitutes acceptance of all terms and conditions of this Warranty.

LIMITED WARRANTY

Subject to the exclusions and restrictions described below, Lutron warrants that each System will be free from manufacturing defects from the date of shipment by Lutron for a period of (a) one year as to the wall controls, interfaces and system accessories of the *Sivoia* Shade System ("External Sivoia Components") and (b) eight years as to the other Systems and the electronic drive unit, shade fabric and shade hardware of the *Sivoia* Shade System. If any manufacturing defect exists in the External Sivoia QS Components, so long as Customer promptly notifies Lutron of the defect within the one year warranty period and, if requested by Lutron, returns the defective part(s), Lutron will, at its option, either repair the defective part(s) or provide comparable replacement part(s). If any manufacturing defect exists in any of the components of a System other than the External Sivoia Components, so long as Customer promptly notifies Lutron of the defect within the eight year warranty period and, if requested by Lutron, returns the defective part(s), Lutron will, at its option, either repair the defective part(s) or issue a credit to the Customer against the purchase price of comparable replacement part(s) purchased from Lutron as provided below:

Number of years from date of shipment	Percentage of cost of replacement parts credited by Lutron
Up to 5	100%
More than 5 but not more than 8	50%
More than 8	0%

Replacement parts for the System provided by Lutron or, at its sole discretion, an approved vendor may be new, used, repaired, reconditioned, and/or made by a different manufacturer.

EXCLUSIONS AND RESTRICTIONS

This Warranty will be void, and Lutron and its suppliers will have no responsibility under this Warranty, if Lutron or its representatives cannot access any components of the System to inspect, diagnose problems with or repair the System or any of its components as a result of concealment or inaccessibility of such components within a building structure.

This Warranty does not cover, and Lutron and its suppliers are not responsible for:

- Damage, malfunction or inoperability diagnosed by Lutron or a Lutron approved third party as caused by normal wear and tear, abuse, misuse, incorrect installation, neglect, accident, interference or environmental factors, such as (a) use of incorrect line voltages fuses or circuit breakers; (b) failure to install, maintain and operate the System pursuant to the operating instructions provided by Lutron and the applicable provisions of the National Electrical Code and of the Safety Standards of Underwriter's Laboratories; (c) use of incompatible devices or accessories; (d) improper or insufficient ventilation; (e) unauthorized repairs or adjustments or alterations; (f) vandalism; (g) an act of God, such as fire, lightning, flooding, tornado, earthquake, hurricane or other problems beyond Lutron's control; or (h) direct exposure to corrosive materials.
- On-site labor costs to diagnose issues with, and remove, repair, replace, adjust, reinstall and/or reprogram the System or any of its components.
- Components and equipment external to the System, such as, non-Lutron lighting and automation systems; building wiring audio-visual equipment; and non-Lutron time clocks, photosensors and motion detectors.
- The cost of repairing or replacing other property that is damaged when any System does not work properly, even if the damage was caused by the System.

THIS WARRANTY IS IN LIEU OF ALL OTHER EXPRESS WARRANTIES. ALL IMPLIED WARRANTIES, INCLUDING THE IMPLIED WARRANTIES OF MERCHANTABILITY AND OF FITNESS FOR A PARTICULAR PURPOSE, ARE LIMITED TO EIGHT YEARS FROM THE DATE OF SHIPMENT, EXCEPT THAT SUCH IMPLIED WARRANTIES ARE LIMITED TO ONE YEAR FROM THE DATE OF SHIPMENT AS TO THE EXTERNAL Sivoia COMPONENTS.

NO LUTRON AGENT, EMPLOYEE OR REPRESENTATIVE HAS ANY AUTHORITY TO BIND LUTRON TO ANY AFFIRMATION, REPRESENTATION OR WARRANTY CONCERNING THE SYSTEMS. UNLESS AN AFFIRMATION, REPRESENTATION OR WARRANTY MADE BY AN AGENT, EMPLOYEE OR REPRESENTATIVE IS SPECIFICALLY INCLUDED HEREIN, OR IN STANDARD PRINTED MATERIALS PROVIDED BY LUTRON, IT DOES NOT FORM A PART OF THE BASIS OF ANY BARGAIN BETWEEN LUTRON AND CUSTOMER AND WILL NOT IN ANY WAY BE ENFORCEABLE BY CUSTOMER. IN NO EVENT WILL LUTRON OR ANY OTHER PARTY

BE LIABLE FOR EXEMPLARY, CONSEQUENTIAL, INCIDENTAL OR SPECIAL DAMAGES (INCLUDING, BUT NOT LIMITED TO DAMAGES FOR PERSONAL INJURY, FAILURE TO MEET ANY DUTY, INCLUDING OF GOOD FAITH OR REASONABLE CARE, NEGLIGENCE, OR ANY OTHER LOSS WHATSOEVER), NOR FOR ANY REPAIR WORK UNDERTAKEN WITHOUT LUTRON'S PRIOR WRITTEN CONSENT ARISING OUT OF OR IN ANY WAY RELATED TO THE INSTALLATION, DEINSTALLATION, USE OF OR INABILITY TO USE THE SYSTEM OR OTHERWISE UNDER OR IN CONNECTION WITH ANY PROVISION OF THIS WARRANTY, EVEN IN THE EVENT OF THE FAULT, TORT (INCLUDING NEGLIGENCE), STRICT LIABILITY, BREACH OF CONTRACT OR BREACH OF WARRANTY OF LUTRON OR ANY OTHER PARTY, AND EVEN IF LUTRON OR SUCH OTHER PARTY WAS ADVISED OF THE POSSIBILITY OF SUCH DAMAGES. NOTWITHSTANDING ANY DAMAGES THAT CUSTOMER MIGHT INCUR FOR ANY REASON WHATSOEVER (INCLUDING, WITHOUT LIMITATION, ALL DIRECT DAMAGES AND ALL DAMAGES LISTED ABOVE), THE ENTIRE LIABILITY OF LUTRON AND OF ALL OTHER PARTIES UNDER THIS WARRANTY ON ANY CLAIM FOR DAMAGES ARISING OUT OF OR IN CONNECTION WITH THE MANUFACTURE, SALE, INSTALLATION, DELIVERY, USE, REPAIR, OR REPLACEMENT OF THE SYSTEM, AND CUSTOMER'S SOLE REMEDY FOR THE FOREGOING, WILL BE LIMITED TO THE AMOUNT PAID BY CUSTOMER FOR THE SYSTEM. THE FOREGOING LIMITATIONS, EXCLUSIONS AND DISCLAIMERS WILL APPLY TO THE MAXIMUM EXTENT ALLOWED BY APPLICABLE LAW, EVEN IF ANY REMEDY FAILS ITS ESSENTIAL PURPOSE.

THIS WARRANTY GIVES YOU SPECIFIC LEGAL RIGHTS. YOU MAY ALSO HAVE OTHER RIGHTS WHICH VARY FROM STATE TO STATE. SOME STATES DO NOT ALLOW LIMITATIONS ON HOW LONG AN IMPLIED WARRANTY LASTS OR THE EXCLUSION OR LIMITATION OF INCIDENTAL OR CONSEQUENTIAL DAMAGES, SO THE ABOVE LIMITATIONS OR EXCLUSIONS MAY NOT APPLY TO YOU. WARRANTY CLAIMS, TECHNICAL ASSISTANCE AND WARRANTY INFORMATION.

Contact the Lutron Technical Support Center at the numbers provided below or your local Lutron sales representative with questions concerning the installation or operation of the System or this Warranty, or to make a warranty claim. Please provide the exact model number when calling.

Lutron, the Sunburst logo and Sivoia are registered trademarks of Lutron Electronics Co., Inc.

Worldwide Headquarters | USA

Lutron Electronics Co., Inc.
7200 Suter Road
Coopersburg, PA 18036-1299 USA
TEL: 1.610.282.3800
FAX: 1.610.282.3090

Technical Support: 1.800.523.9466 or 1.610.282.6701

Toll Free: 1.888.LUTRON1

EMAIL: shadinginfo@lutron.com

WEB: www.lutron.com/shadingsolutions

Europe Headquarters | United Kingdom

Lutron EA Ltd

6 Sovereign Close

London, E1W 3JF, UK

TEL: +44.(0)20.7702.0657

FAX: +44.(0)20.7480.6899

Technical Support: +44.(0)20.7680.4481

FREEPHONE: 0800.282.107

Asian Headquarters | Singapore

Lutron GL Ltd

15 Hoe Chiang Road

#07-03 Tower Fifteen

Singapore, 089316

TEL: +65.6220.4666

FAX: +65.6220.4333

Technical Support: 800.120.4491

India | New Delhi

Lutron GL Sales and Services

TEL: +91.124.471.1900

©2011 Lutron Electronics Co., Inc.

P/N 045-168 REV B 05/2011