

LP-12 Datasheet

LP-12

Product Series	LP-12										LP-12			
	Pin Number	2PIN	3PIN	3PIN	4PIN	5PIN	6PIN	7PIN	8PIN	—	—			
LP12 Power/Signal	Application Type Section	 Male Female	 Male Female	 Male Female	 Male Female	 Male Female	 Male Female	 Male Female	 Male Female	—	—			
	Current Rating	5A				5A			3A		—	—		
	Voltage Rating	AC 125V				AC 125V			AC 100V		—	—		
	Cable O.D Range	≤ φ 7.0mm				≤ φ 7.0mm					—	—		
	Wire Size	0.5mm ² /20AWG				0.5mm ² /20AWG			0.34mm ² /22AWG		—	—		
	Protection Level	Standard is IP65, IP67&IP68 Option Available						Standard is IP65, IP67&IP68 Option Available				—	—	
	Assembly Method	Soldering		Screwing		Soldering		Soldering				—	—	
	Illustration	Material	Part No										Part No	
	 Plug	Plastic	Male	LP-12-C02PE-02-001	LP-12-C03PE-02-001	LP-12-C03PE-22-003	LP-12-C04PE-02-001	LP-12-C05PE-02-001	LP-12-C06PE-02-001	LP-12-C07PE-02-001	LP-12-C08PE-02-001	—	—	
Female			LP-12-J02PE-02-004	LP-12-J03PE-02-004	—	LP-12-J04PE-02-004	LP-12-J05PE-02-004	LP-12-J06PE-02-004	LP-12-J07PE-02-004	LP-12-J08PE-02-004	—	—		
 In-line receptacle	Plastic	Male	LP-12-C02PP-02-003	LP-12-C03PP-02-003	—	LP-12-C04PP-02-003	LP-12-C05PP-02-003	LP-12-C06PP-02-003	LP-12-C07PP-02-003	LP-12-C08PP-02-003	—	—		
		Female	LP-12-J02PP-02-001	LP-12-J03PP-02-001	LP-12-J03PP-22-001	LP-12-J04PP-02-001	LP-12-J05PP-02-001	LP-12-J06PP-02-001	LP-12-J07PP-02-001	LP-12-J08PP-02-001	—	—		
 Single hole straight receptacle	Plastic	Male	LP-12-C02SX-02-104	LP-12-C03SX-02-104	—	LP-12-C04SX-02-104	LP-12-C05SX-02-104	LP-12-C06SX-02-104	LP-12-C07SX-02-104	LP-12-C08SX-02-104	—	—		
		Female	LP-12-J02SX-02-101	LP-12-J03SX-02-101	LP-12-J03SX-22-101	LP-12-J04SX-02-101	LP-12-J05SX-02-101	LP-12-J06SX-02-101	LP-12-J07SX-02-101	LP-12-J08SX-02-101	—	—		
 Four-hole flange receptacle	Plastic	Male	LP-12-C02SX-02-404	LP-12-C03SX-02-404	—	LP-12-C04SX-02-404	LP-12-C05SX-02-404	LP-12-C06SX-02-404	LP-12-C07SX-02-404	LP-12-C08SX-02-404	—	—		
		Female	LP-12-J02SX-02-401	LP-12-J03SX-02-401	LP-12-J03SX-22-401	LP-12-J04SX-02-401	LP-12-J05SX-02-401	LP-12-J06SX-02-401	LP-12-J07SX-02-401	LP-12-J08SX-02-401	—	—		

LP-12 Datasheet

LP-12

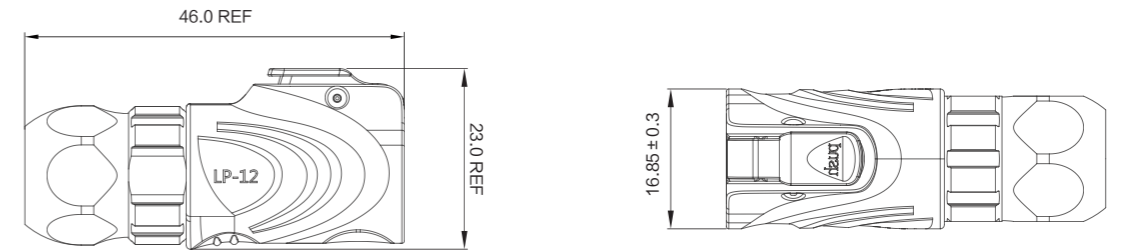
LP12 Power/Signal	Product Series	LP-12								LP-12								
	Pin Number	2PIN		3PIN		3PIN		4PIN		5PIN		6PIN		7PIN		8PIN		—
	Application Type Section																	—
	Current Rating	5A								5A				3A				—
	Voltage Rating	AC 125V								AC 125V				AC 100V				—
	Cable O.D Range	≤ φ 7.0mm								≤ φ 7.0mm								—
	Wire Size	0.5mm ² /20AWG								0.5mm ² /20AWG				0.34mm ² /22AWG				—
	Protection Level	Standard is IP65, IP67&IP68 Option Available								Standard is IP65, IP67&IP68 Option Available								—
	Assembly Method	Soldering				Soldering				Soldering				—				
Illustration	Material	Part No								Part No								
	Metal	Male	LP-12-C02PE-03-001	LP-12-C03PE-03-001	LP-12-C03PE-21-002	LP-12-C04PE-03-001			LP-12-C05PE-03-001	LP-12-C06PE-03-001	LP-12-C07PE-03-001	LP-12-C08PE-03-001					—	
		Female	—	—	—	—			—	—	—	—	—	—	—	—	—	—
		Male	—	—	—	—			—	—	—	—	—	—	—	—	—	—
		Female	LP-12-J02PP-01-001	LP-12-J03PP-01-001	LP-12-J03PP-21-002	LP-12-J04PP-01-001			LP-12-J05PP-01-001	LP-12-J06PP-01-001	LP-12-J07PP-01-001	LP-12-J08PP-01-001						—
		Male	—	—	—	—			—	—	—	—	—	—	—	—	—	—
		Female	LP-12-J02SX-03-101	LP-12-J03SX-03-101	LP-12-J03SX-23-101	LP-12-J04SX-03-101			LP-12-J05SX-03-101	LP-12-J06SX-03-101	LP-12-J07SX-03-101	LP-12-J08SX-03-101						—
		Male	—	—	—	—			—	—	—	—	—	—	—	—	—	—
		Female	LP-12-J02SX-03-401	LP-12-J03SX-03-401	LP-12-J03SX-23-401	LP-12-J04SX-03-401			LP-12-J05SX-03-401	LP-12-J06SX-03-401	LP-12-J07SX-03-401	LP-12-J08SX-03-401						—

LP-12 Dimension Drawing (unit: mm)

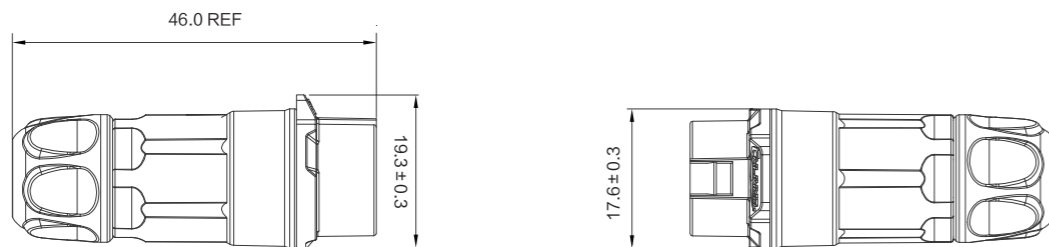
Plastic plug



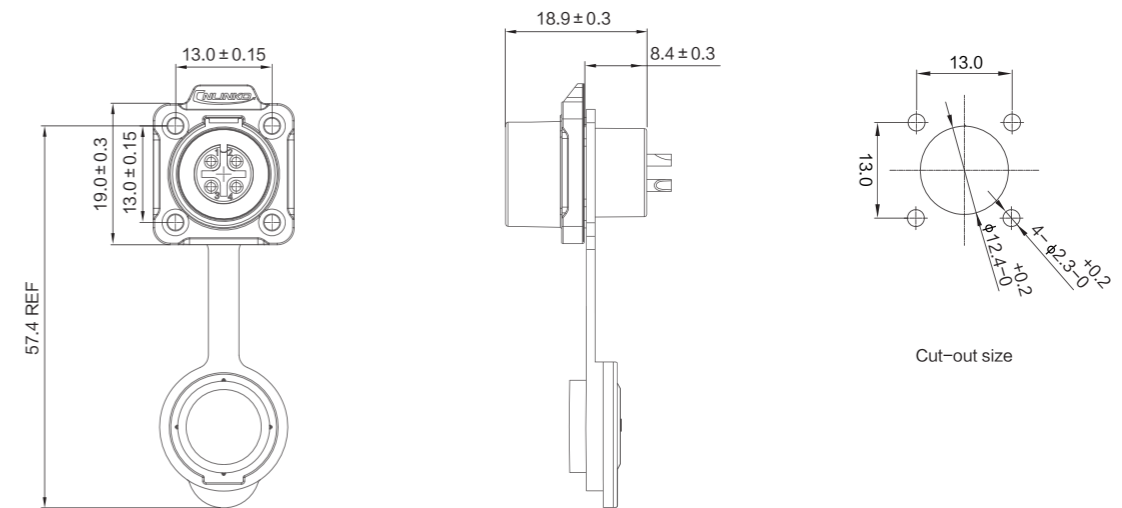
Metal plug



In-line receptacle



Four-hole flange receptacle



Single hole straight receptacle

