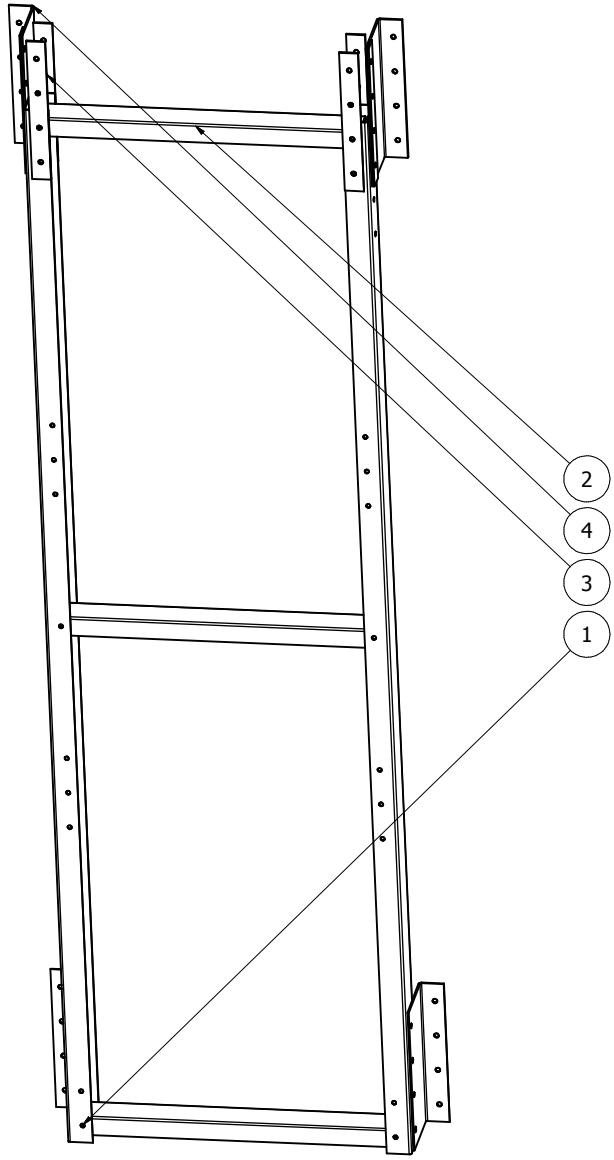


IN-WM1001



Parts List			
ITEM	QTY	PART NUMBER	DESCRIPTION
1	2	WL120 Wall Loop 120 Siderail	2.5x4x2.5x120x8ga
2	3	WL002 Wall Loop Crossbar	2x3.5x2x34.5x10ga
3	6	WSP01 Splice	16x3x8ga
4	4	WMB02 Wall Bracket Short	7x2.5x16x8ga
5	30	7/16 x 1 cap screws	
6	30	7/16 Whiz nut	
7	18	3/8 x 1 Bin Bolt	
8	18	3/8 nuts	

DRAWN Rex A Greene	3/8/2005	Greene Welding and Hardware Inc. Greene Galvanized Stairs 217/375/4244 www.greenebstairs.com		
CHECKED		TITLE		
QA		MFG		
MFG		APPROVED		
APPROVED		SIZE C	DWG NO WL1036 Loop Wall Base Unit	REV
SCALE NA		SHEET 1 OF 1		