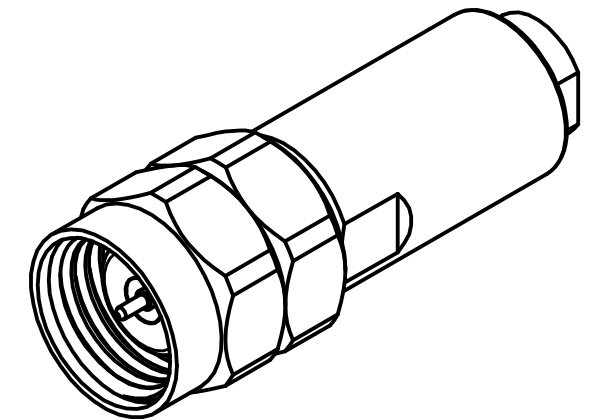
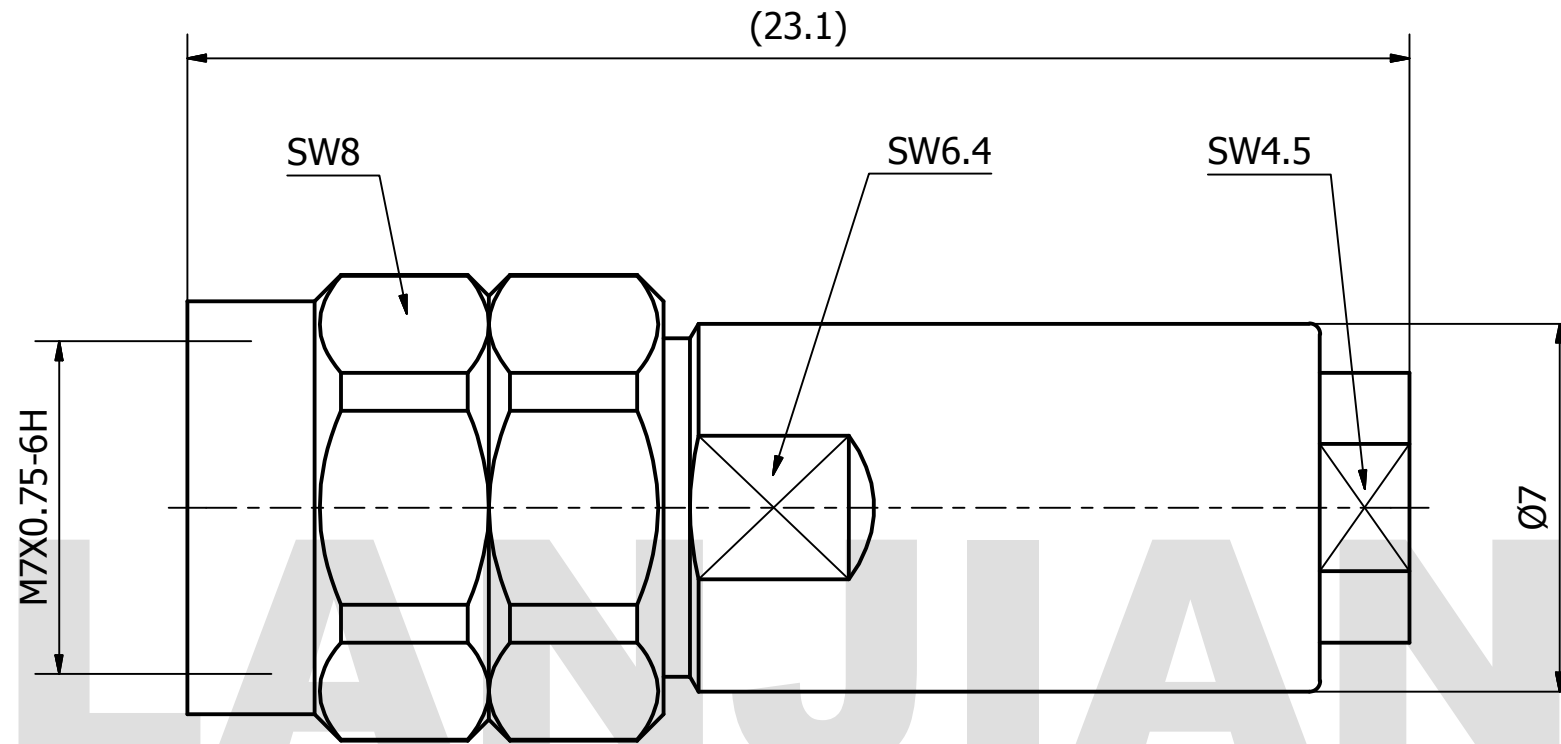


# PRODUCT DATA SHEET



**MATERIAL:**  
**BODY:** STAINLESS STEEL PER AMS-5640,  
 ALLOY UNS S30300  
**CONTACT:** BERYLLIUM COPPER PER ASTM B196.  
 ALLOY NO. UNS C17300  
**INSULATOR:** PEI

**PERFORMANCE:**  
**IMPEDANCE:** 50 OHMS  
**FREQUENCY:** DC TO 65 GHz  
**VSWR:** ≤1.40

THIS DOCUMENT CONTAINS CONFIDENTIAL AND PROPRIETARY INFORMATION THAT CANNOT BE REPRODUCED OR DIVULGED, IN WHOLE OR IN PART, WITHOUT WRITTEN AUTHORIZATION FROM "LANJIAN ELECTRONICS"	MATERIAL :		
	UNLESS OTHERWISE SPECIFIED: DIMENSIONS IN MM		
	TOLERANCES :		
	X.X	±0.20	ANGULAR : ±1°
	X.XX	±0.10	FILLETS R/C : ±0.10
	X.XXX	±0.01	SURFACE FINISH : Ra 1.6
			DEBURR AND BREAK SHARP EDGES
		NAME	DATE
	DRAWN	YaoJiang	11/28/2018
	CHK'D	HongZhongYan	11/28/2018
APPV'D	HongZhongYan	11/28/2018	
MFG			
PROJECTION		SIZE	SCALE
		A3	7 : 1

**LANJIAN ELECTRONICS**

38 Hengtong Road, Xinqu Dingmao  
 Zhenjiang, 212009, Jiangsu, P. R. China

TITLE

**1.85-J3506-1**  
 straight pin cable connector

DWG No.	REV.
GCPZ3.650.U.004	A
DO NOT SCALE THE DRAWING	
PAGE 1 / 1	