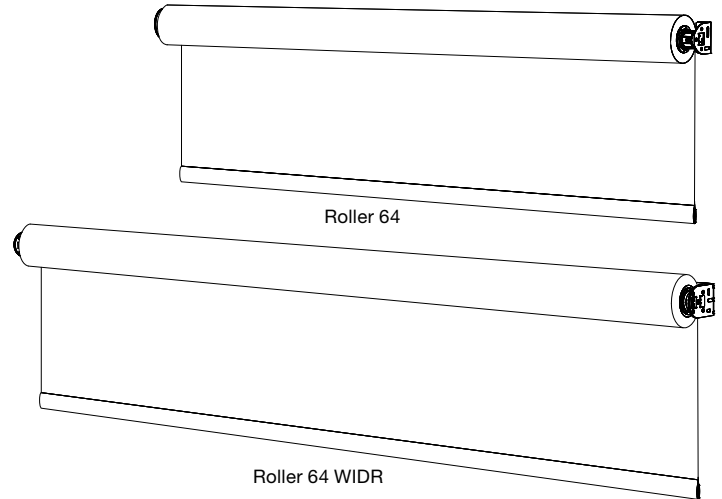


Roller 64

Lutron Roller 64 shades utilize the ultra-quiet, precision controlled Electronic Drive Unit (EDU). The Sivoia QS EDU is housed inside the roller shade assembly and controls the movement of the shade, keeps track of the shade's position, and adjusts the shade to the user's desired preset positions.

Features

- Roller 64 standard widths:
17.5 in (444.5 mm) up to 8 ft (2.438 m) wide
 - Roller 64 WIDR standard widths:
17.5 in (444.5 mm) up to 12 ft (3.657 m) wide
- NOTE:** Fabric selection may limit the maximum size of a shade; use Lutron myProjects to determine shade size, brackets, and fabric selection compatibility
- Ultra-quiet operation: will not exceed 35 dBA measured 3 ft (1 m) from the EDU
 - Smooth, silent starts and stops
 - Offers programmable stop points; the EDU tracks the position of the shade and is able to adjust it to predetermined locations at the touch of a button
 - Provides maximum window coverage with the smallest possible light gaps, $\frac{3}{4}$ in (19 mm) between the shade fabric and the outside edges of the shade brackets; light gaps are symmetrical on both sides of shade
- NOTE:** At high aspect ratio (tall and narrow) shade sizes, Lutron may apply a fabric deduction, which increases the size of the light gaps to compensate for the increased probability of telescoping
- Shades move in unison, maintaining alignment within $\frac{1}{8}$ in (3 mm) at all times
 - Bottom bar speed: 3.6 in/sec (91.4 mm/sec)
 - Available with a wide variety of fabric, including sheer, translucent, and room darkening
 - Power failure memory for the lifetime of the product
 - Available in QS Wired and QS Wireless configurations
 - QS (wired) systems may be supplied low-voltage power and communication in a single 4-wire cable
 - QS Wireless systems may be supplied low-voltage power via 2-wire cable



Job Name:

Model Numbers:

Job Number:

Specifications

Low Voltage Power

- Operating voltage: Class 2, 35 V $\overline{=}$
- Power must be derived from a Lutron NEC® Class 2 power supply (see 'Compatible Power Sources')
- Lutron NEC® Class 2 power supplies offer overvoltage protection (+/-10% of line voltage) for all devices in the system
- Lutron NEC® Class 2 power supplies provide appropriate Electrostatic Discharge (ESD) protection for all devices in the system
- Power failure protection: Shade programming will not be lost if power is lost to the drive

Compatible Power Sources

- Individual Plug-In
 - QSPS-P1-1-35V
 - QSPS-P2-1-35V
 - QSPS-P3-1-35V
- 10-Output Power Panels
 - QSPS-10PNL
 - QSPSY-10PNL
- Configurable Power Panels
 - QSPS-10PNL-NPM (with WIN-PS-5CC-R installed)
 - QSPS-30PNL-NPM (with WIN-PS-5CC-R installed)
- Individual Junction Box
 - QSPS-J-1-35V

Flexible Configuration

- Digitally assign and reassign shades to controls, groups, and scenes
- Adjust limits locally via buttons on the EDU
- Remotely adjust limits and grouping of QS shades via wired controls or system (HomeWorks QS, myRoom, Quantum)
- Remotely adjust limits and grouping of QS Wireless shades via system (HomeWorks QS, RadioRA 2, RA2 Select, Caséta PRO)
- No wired relays or wired group controllers required

System Capacity

- Standalone QS configuration supports 100 QS devices
- Standalone QS configuration supports 100 QS zones

Environment

- Temperature: 32° - 104° F (0° - 40° C)
- Humidity: 0% - 90%, non-condensing

Precision Control

- Preset positions can be easily programmed at any point between the open and close limits
- Shades stop within $\frac{1}{8}$ in (3 mm) of programmed open, close, and preset positions
- Intelligent Hembar Alignment (IHA): Shades remain within $\frac{1}{8}$ in (3 mm) alignment when stopped or moving

Controls

- Shades are compatible with HomeWorks QS, Quantum, and myRoom control systems
 - Shades can be controlled by Radio Window sensors when installed as part of a HomeWorks QS or Quantum system
- QS Wired shades and controls in a system are wired together on the same communications link
 - Shades can be controlled by built-in shade columns on a GRAFIK Eye QS, or by low-voltage seeTouch QS keypads
- QS Wireless shades are compatible with HomeWorks QS, RadioRA 2, RA2 Select, and Caséta PRO control systems
 - Shades can be controlled using a Pico or 4-Group Handheld Remote Control, or seeTouch QS Wireless keypads

Integration

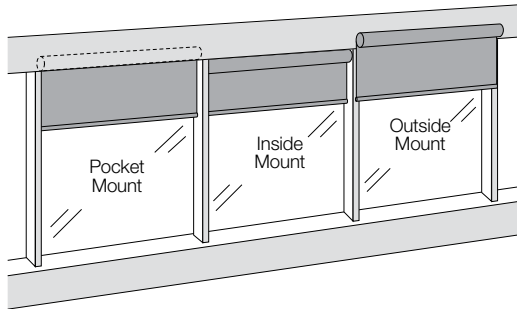
- EDUs integrate seamlessly with Lutron lighting controls
- Contact closure, RS232, and Ethernet available to integrate with A/V equipment such as timeclocks, security systems, and touch screens

Job Name: Job Number:	Model Numbers:
--	-----------------------

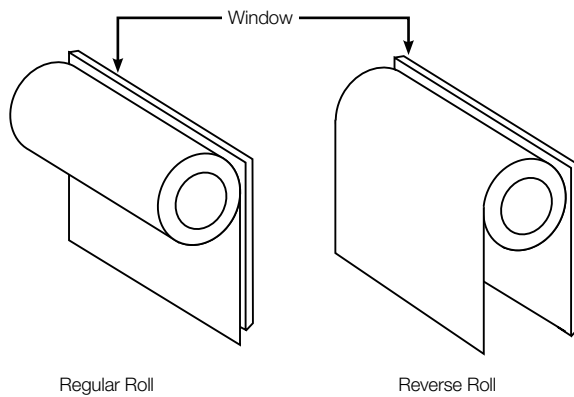
Sivoia QS Roller 64 Shade Options

Mounting Options

Depending on window dimensions, brackets can be mounted in a pocket, inside the window frame, or outside the window frame.



Fabric Drop Options



Fabric options

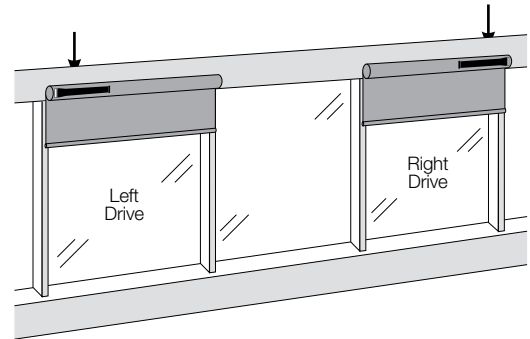
Sivoia QS roller shades are available in a wide variety of fabrics including:

- Sheer – Filter sunlight, UV protection, view
- Privacy – Minimal translucence, UV protection
- Room Darkening – Maximum UV protection, no view (for complete blackout, side channels must be added along with pocket or fascia with top back cover)

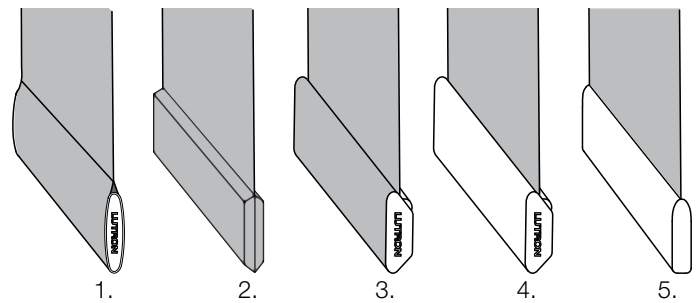
For more information on available roller shade fabrics, visit www.lutronfabrics.com

Drive Side Options

EDU can be specified on the left or right of the shade:



Bottom Bar Options



1. Designer Bottom Bar (standard)
2. Sealed Bottom Bar
(available in $\frac{3}{16} \times 1$ in [5 x 25 mm] or $\frac{7}{16} \times 1\frac{3}{8}$ [11 x 35 mm])
3. Half-Wrap Architectural Bottom Bar with Plastic Endcaps*
4. Exposed Architectural Bottom Bar*
5. 1 in Exposed Bottom Bar*

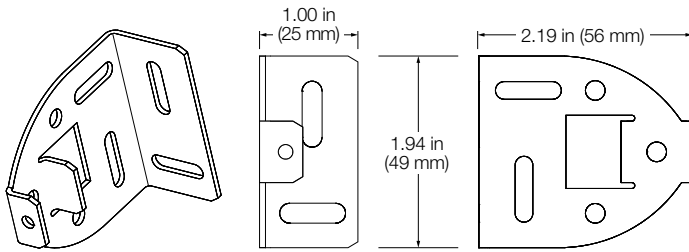
*Colors available:

- White
- Black
- Bronze
- Silver
- Custom color

Job Name:	Model Numbers:
Job Number:	

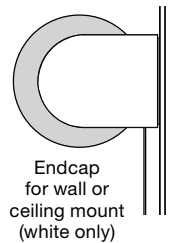
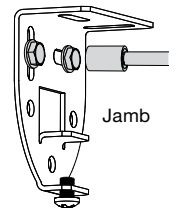
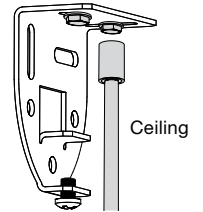
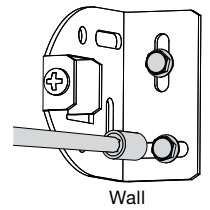
Bracket Options

Roller 64 Universal Bracket:

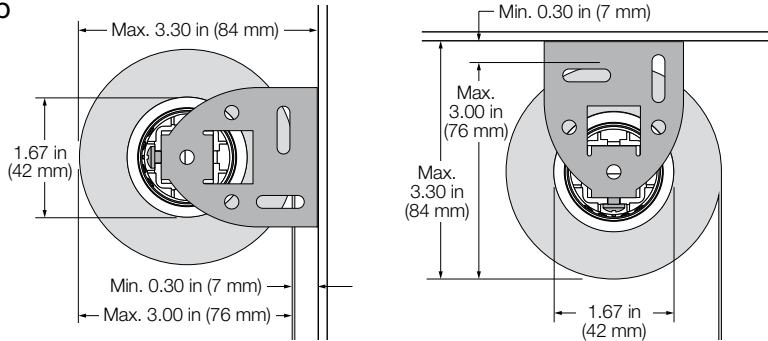


NOTE: Refer to the installation guide included with the shade for complete bracket mounting requirements.

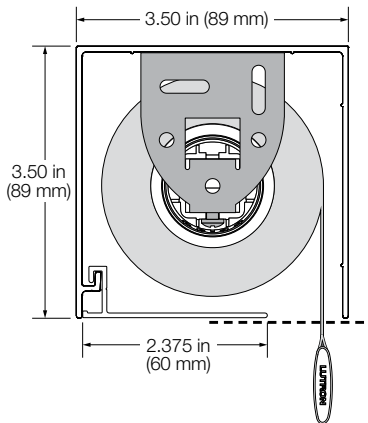
Mounting Options



Maximum Rollup and Projection



Pocket Installation

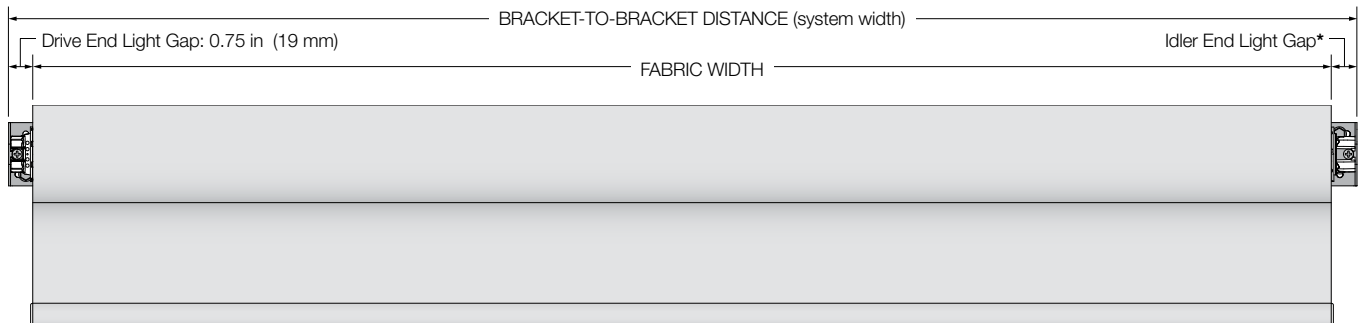


Pocket endcaps available in

- White
- Silver
- Bronze
- Black

NOTE: Pocket systems are not designed for full concealment of the bottom bar. The shade's upper limit must be set to prevent the bottom bar from being drawn up into the pocket.

Installed System



*Shades are sized according to the bracket-to-bracket distance indicated on the original order so that the spring loaded idler will be compressed to create a standard nominal 0.75 in (19 mm) light gap when both ends of the shade are engaged in the brackets. This results in safe mounting, quiet operation, and symmetrical light gaps. (The preceding statement may not apply to systems ordered with custom light gaps.)

Job Name:

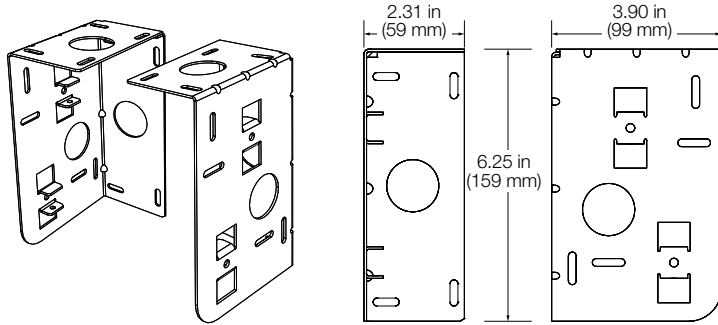
Model Numbers:

Job Number:

Bracket Options *continued*

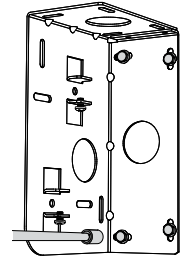
Roller 64 Universal Dual Bracket:

Allows for 2 fabric rolls installed in the same window, typically a sheer and a blackout.

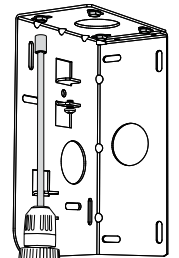


NOTE: Refer to the installation guide included with the shade for complete bracket mounting requirements.

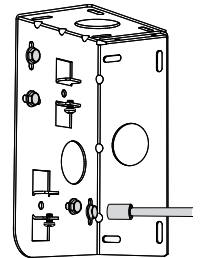
Mounting Options



Wall

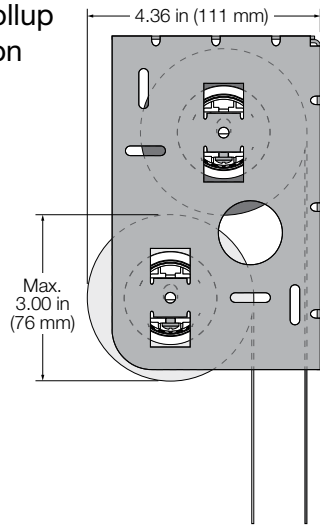


Ceiling



Jamb

Maximum Rollup and Projection

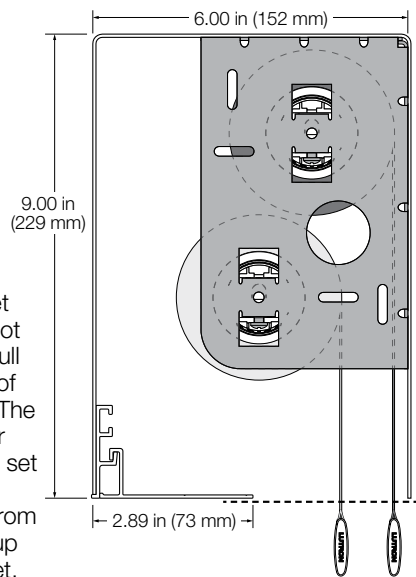


Pocket Installation

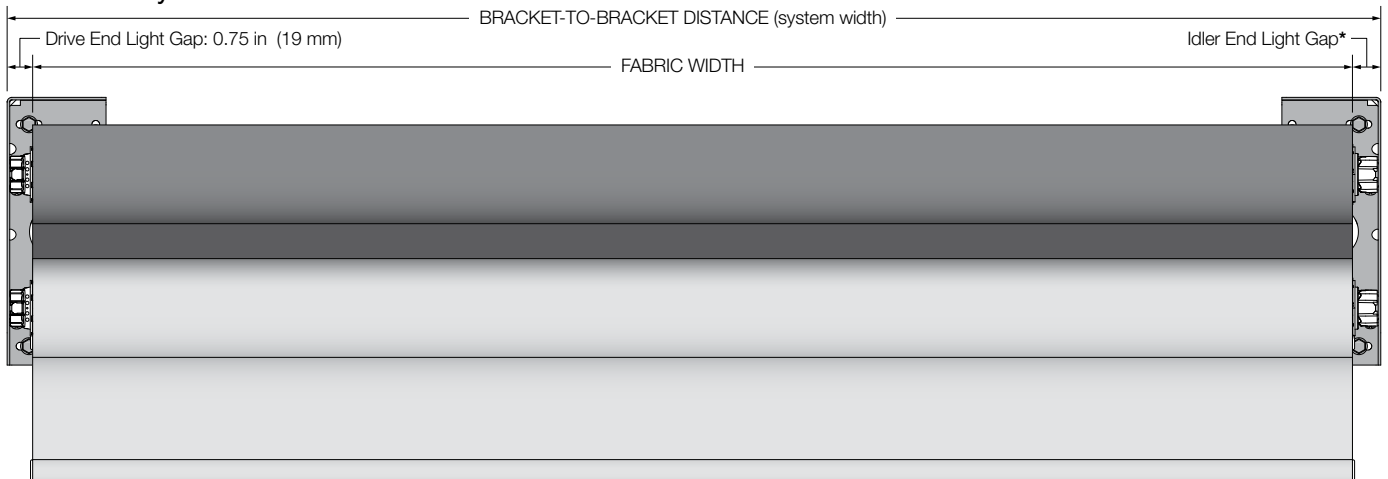
Dual Pocket endcaps available in

- White
- Silver
- Bronze
- Black

NOTE: Pocket systems are not designed for full concealment of bottom bars. The shades' upper limits must be set to prevent the bottom bars from being drawn up into the pocket.



Installed System



*Shades are sized according to the bracket-to-bracket distance indicated on the original order so that the spring loaded idler will be compressed to create a standard nominal 0.75 in (19 mm) light gap when both ends of the shade are engaged in the brackets. This results in safe mounting, quiet operation, and symmetrical light gaps. (The preceding statement may not apply to systems ordered with custom light gaps.)

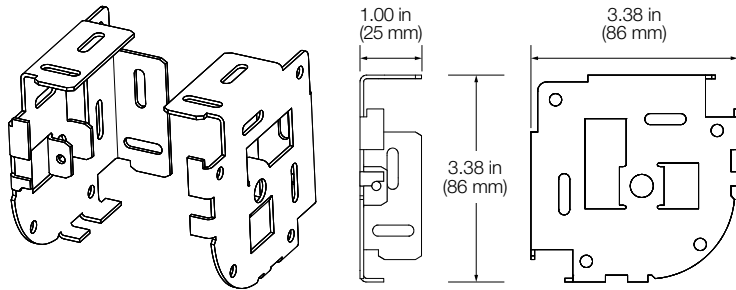
Job Name:

Model Numbers:

Job Number:

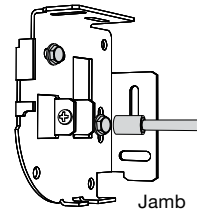
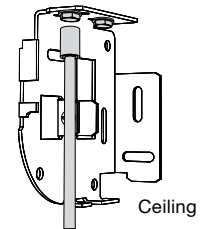
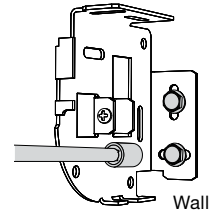
Bracket Options *continued*

Roller 64 Universal Fascia-Mount Bracket:

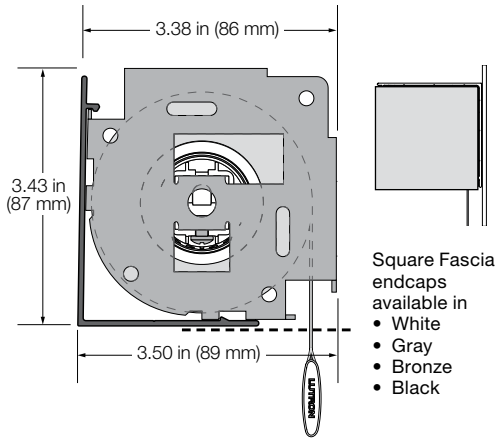


NOTE: Refer to the installation guide included with the shade for complete bracket mounting requirements.

Mounting Options

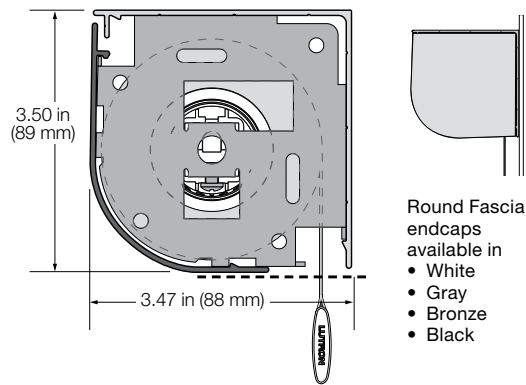


Square Fascia



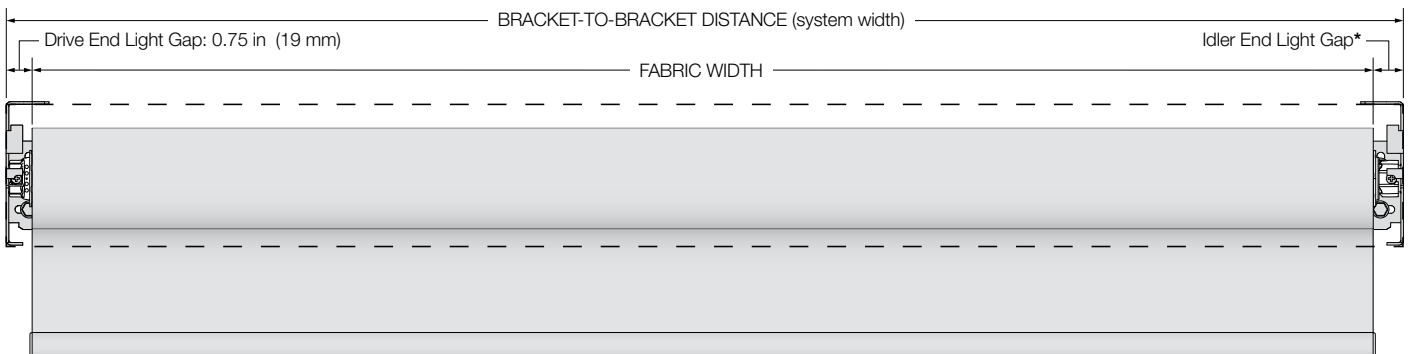
Round Fascia

Shown with Optional Top Back Cover



NOTE: Fascia systems are not designed for full concealment of the bottom bar. The shade's upper limit must be set to prevent the bottom bar from being drawn up into the brackets.

Installed System

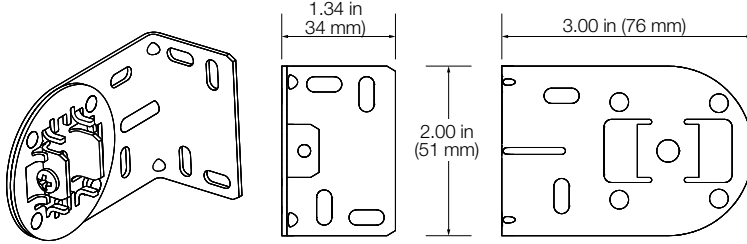


*Shades are sized according to the bracket-to-bracket distance indicated on the original order so that the spring loaded idler will be compressed to create a standard nominal 0.75 in (19 mm) light gap when both ends of the shade are engaged in the brackets. This results in safe mounting, quiet operation, and symmetrical light gaps. (The preceding statement may not apply to systems ordered with custom light gaps.)

Job Name:	Model Numbers:
Job Number:	

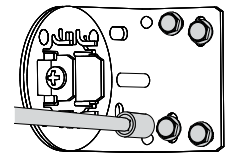
Bracket Options *continued*

Roller 64 WIDR Universal Bracket:

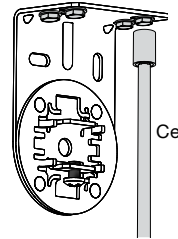


NOTE: Refer to the installation guide included with the shade for complete bracket mounting requirements.

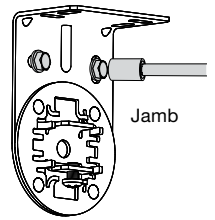
Mounting Options



Wall

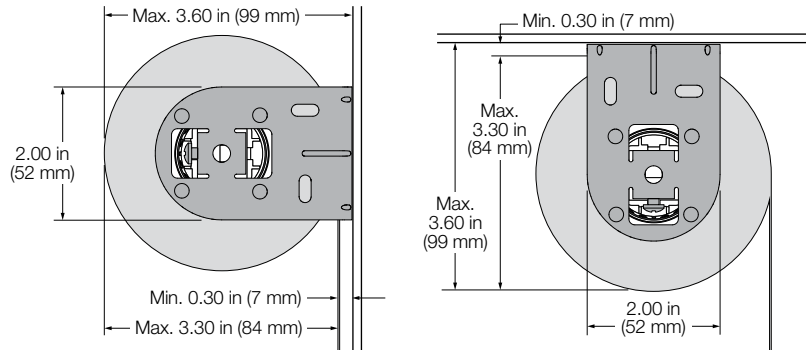


Ceiling

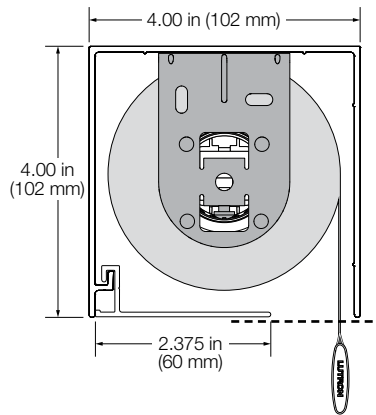


Jamb

Maximum Rollup and Projection



Pocket Installation

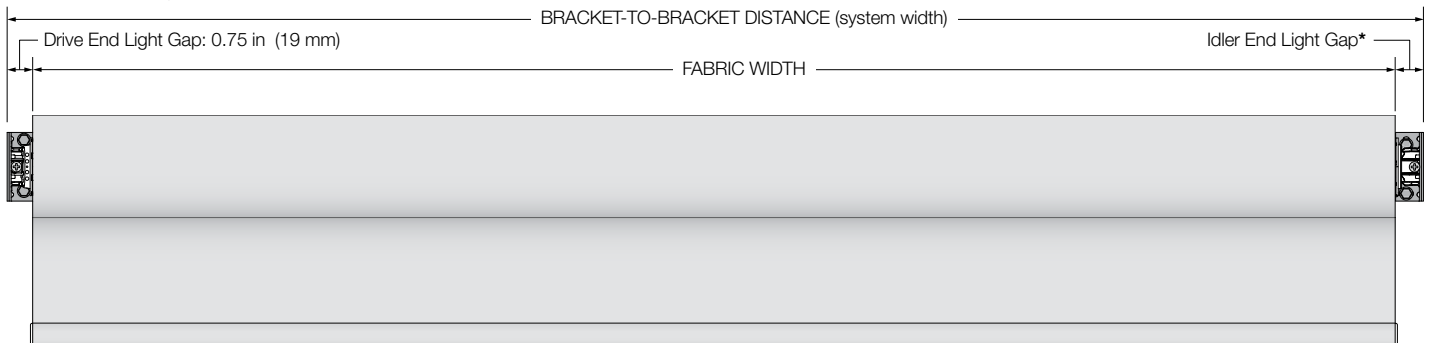


Pocket endcaps available in
 • White
 • Silver
 • Bronze
 • Black

NOTE: Fascia Bracket and Dual Bracket options are not available for Roller 64 WIDR

NOTE: Pocket systems are not designed for full concealment of the bottom bar. The shade's upper limit must be set to prevent the bottom bar from being drawn up into the pocket.

Installed System



* Shades are sized according to the bracket-to-bracket distance indicated on the original order so that the spring loaded idler will be compressed to create a standard nominal 0.75 in (19 mm) light gap when both ends of the shade are engaged in the brackets. This results in safe mounting, quiet operation, and symmetrical light gaps. (The preceding statement may not apply to systems ordered with custom light gaps.)

Job Name:	Model Numbers:
Job Number:	