

2020 BC-8 DW

BY BCROASTERS.COM

THE BC-8 COMES IN BOTH SINGLE & DOUBLE WALL MODELS. THESE ARE GREAT FOR A COFFEE SHOP, WHOLESALE OR RETAIL COFFEE BUSINESS. THE SINGLE WALL MODEL CAN ROAST FROM 2-8LB. ROASTS. WHILE THE DOUBLE WALL MODEL CAN DO SAMPLES DOWN TO ONE POUND ROASTS. THESE ROASTERS CAN DO UP TO 5 ROASTS PER HOUR. THESE ARE CAPABLE OF ROASTING AROUND 250LB. PER DAY. IT HAS ALL THE FEATURES MOST COMPANIES CHARGE EXTRA FOR BUILT INTO THE BASE PRICE. THE BC-8 MODEL COMES WITH THE ADVANCED AND PRECISE AIRFLOW CONTROL VIA THE MDDS (MANUAL DAMPER) SYSTEM & MANY NEW SAFETY FEATURES. SOLID HEAVY-DUTY STAINLESS STEEL DRUM AND BUILT IN PROFILING SYSTEM FOR BT & ET. DIRECT-CONNECT CHAFF UNIT FOR EFFICIENCY & REDUCED FOOTPRINT. COMES IN CHOICE OF NATURAL OR LPG. NOW IN CHOICE ON SINGLE OR DOUBLE WALL DRUMS!



FEATURES

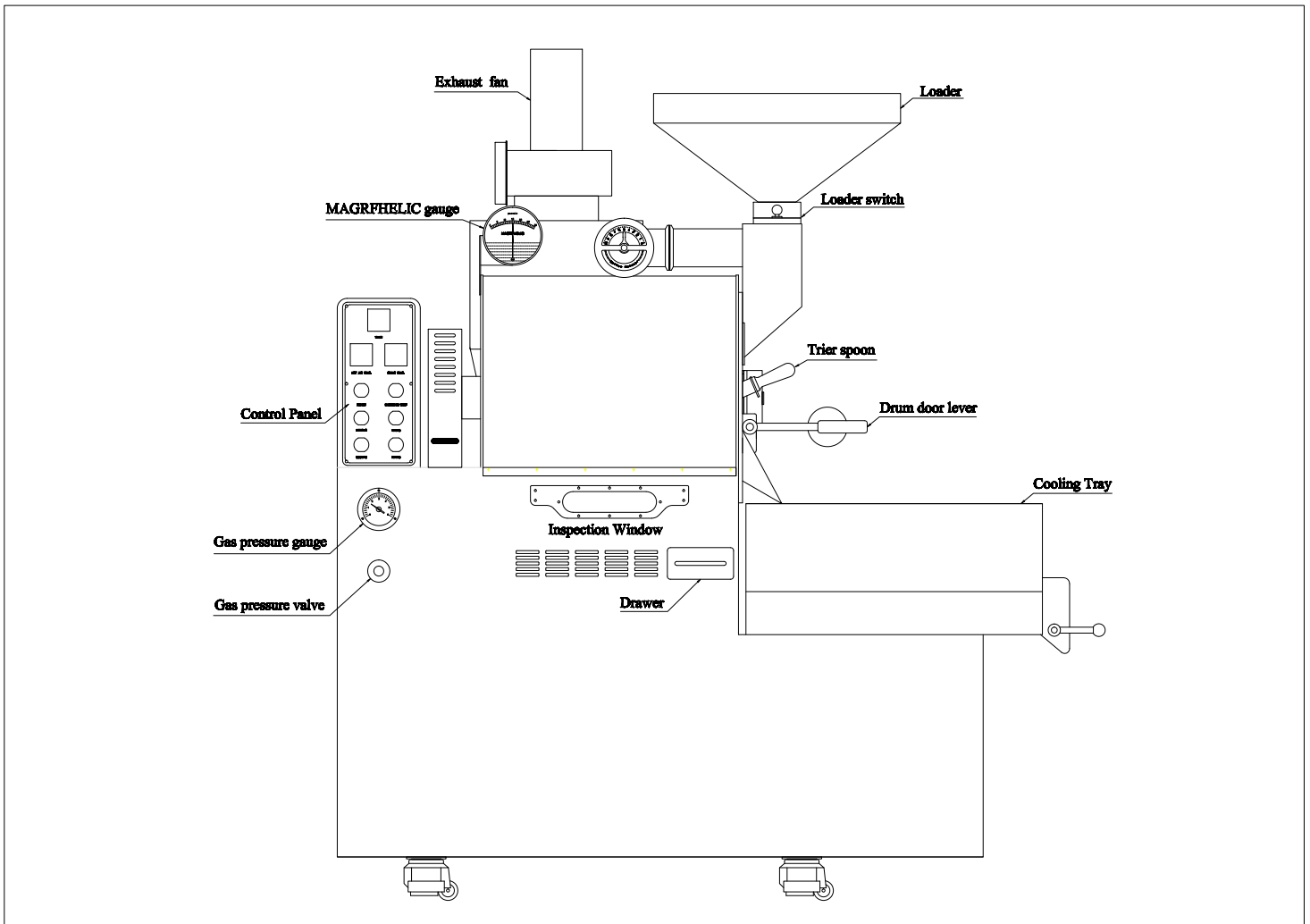
DRUM TYPE
DATA LOGGING
THERMOCOUPLES
CONTROL PANEL
WARRANTY
PARTS AVAILABLE
110V CONVERTER

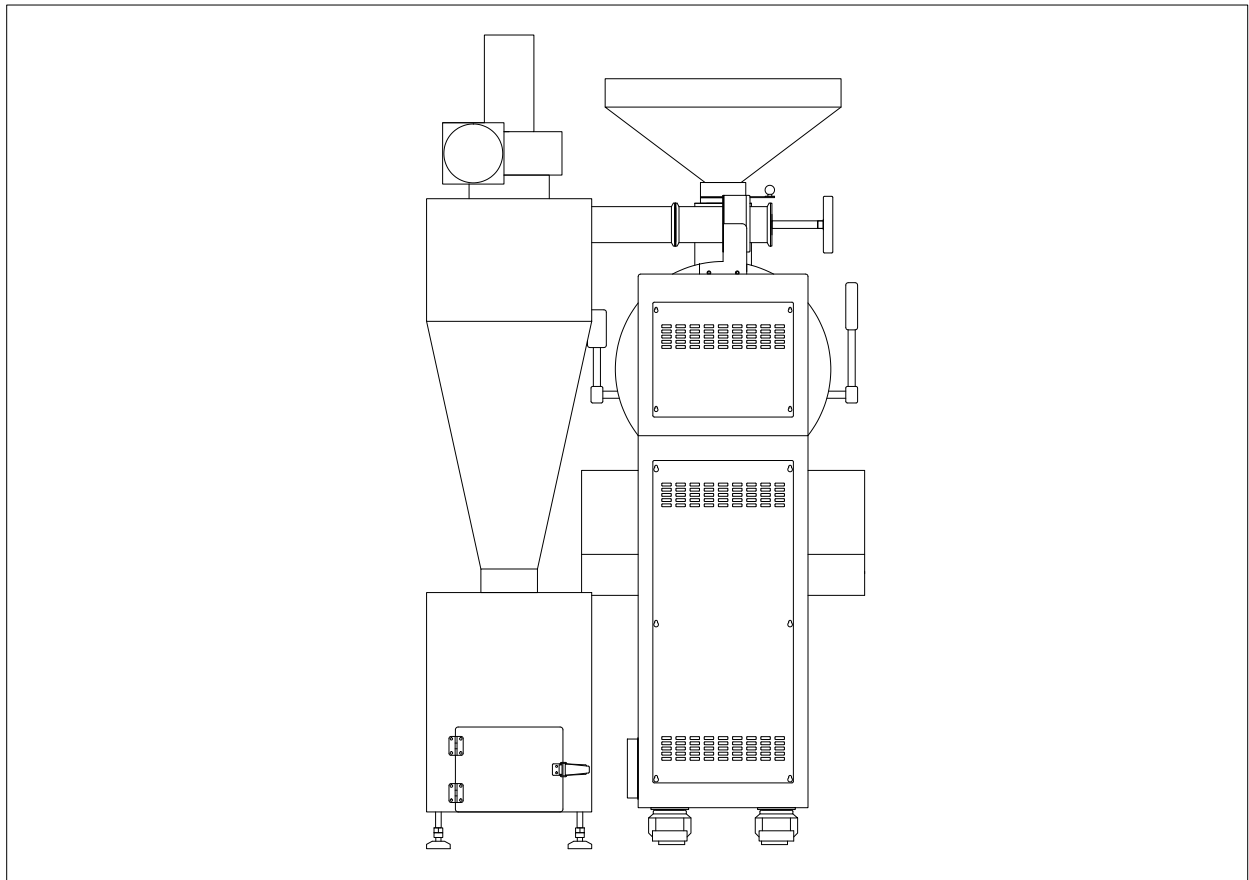
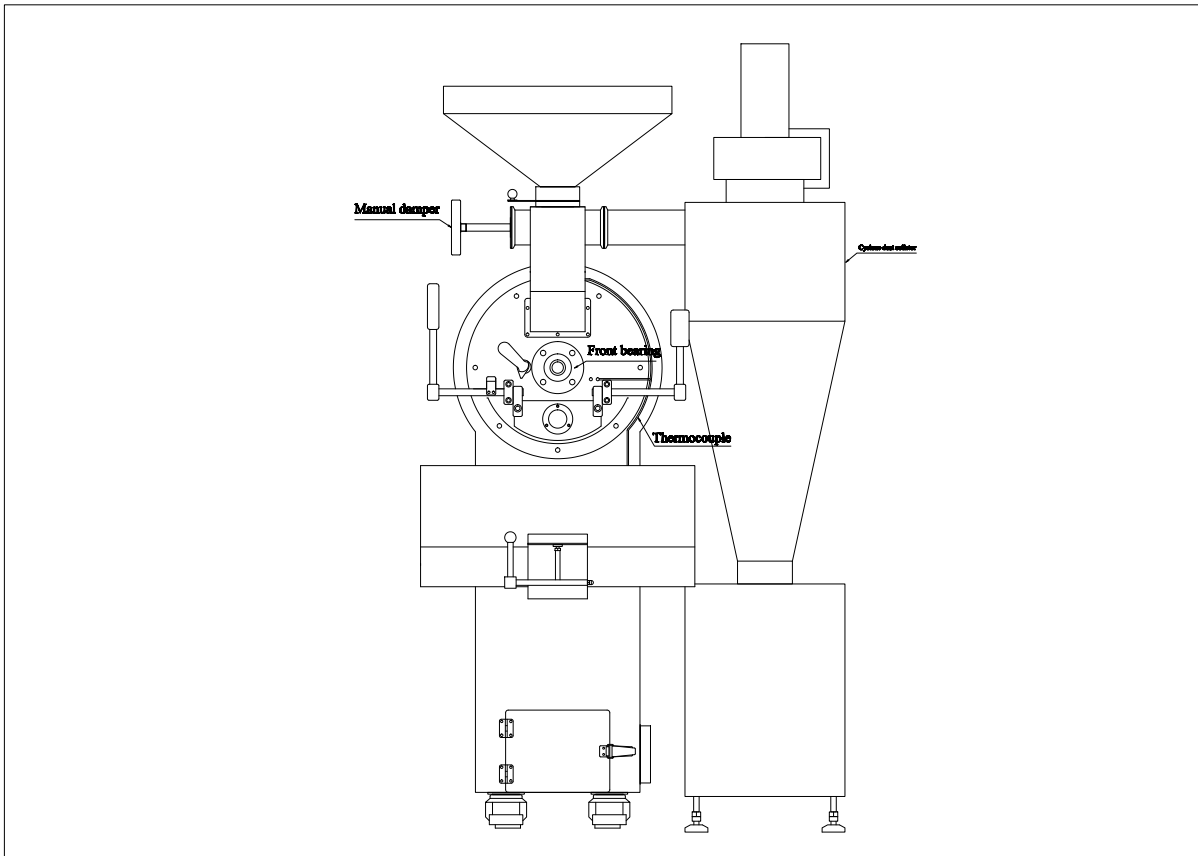
Single or DW 304SS Drum 5mm
2 OMRON CONTROLS w/BT & ET
K-TYPE for BT & ET
BT & ET VIEW ON PANEL
1 YEAR PARTS & INSTRUCTION
10 Year Parts Available Guarantee
110V Voltage Converter 2000W

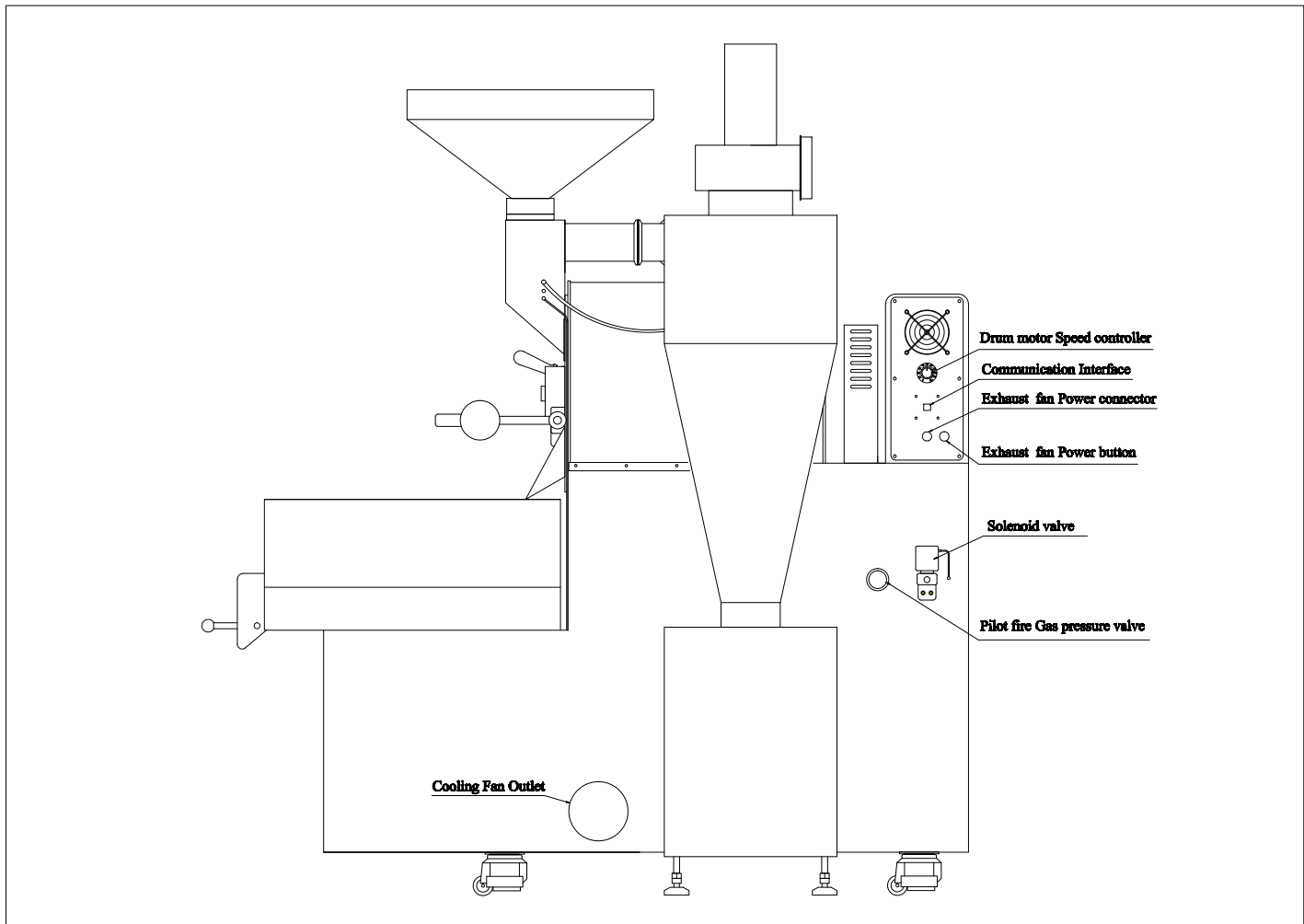
BC-8MD	GAS TYPE
Batch Size	2-8lb.
Roasting Time	9-14 minutes
Production	32-40lb.hr
Heat Source	NG/LPG
Voltage	220V
Wattage	610W
Drum Motor	200W
Chaff Fan Motor	90W
Cooling Fan Motor	200W
MIXING ARM	60W
BTU	60,000
NG PRESSURE	7-14WC
LPG PRESSURE	MAX. 16-20WC
Gas Consumption	0.6kg/hr
Roaster Dim.	52x34x62"
Roaster Weight	628lb.
Package Dimensions	55x46x60 850LB.

THE BC-8 MD IS A HEAVY DUTY ROASTER BUILT WITH A CARBON STEEL BODY WITH APPROVED POWDER COAT HIGH TEMPERATURE BODY IN BLACK, RED OR WHITE. THE HOUSINGS COME IN A CHOICE OF 4 COLORS (ROSE GOLD, BLACK TITANIUM & STAINLESS) ALSO WE NOW OFFER 3 TEXTURED HOUSINGS WIN GOD CHECKERED, BLACK & SILVER CHECKERED.

TWO EXHAUST PIPES COMES OFF THE 2020 8 ARE 5" EACH AND CAN BE EXHAUSTED OUT OF BUILDING SEPARATELY OR CONNECTED WITH A BLAST OR BACKDRAFT DAMPER.







THE 2020 BC-8 HAS INCREASED AIRFLOW WITH A 200W CHAFF FAN FOR A MAXIMUM EXHAUST OR 410CFM. STARTING IN 2020 THE CHAFF FAN EXHAUST SIZE WAS INCREASED TO 120MM REQUIRING A 5" PIPE CONNECTION TO CHAFF UNIT. ALSO THE COOLING TRAY EXHAUST REQUIRES A 5" PIPE CONNECTION. YOU MAY WISH TO USE EITHER 5" PIPE OR USE A 5" TO 6" REDUCER PIPE AND USE STANDARD 6" EXHAUST PIPE FOR EACH EXHAUST.

BC ROASTER COLORS

BC ROASTERS NOW COME IN 3 BODY COLORS:
BLACK, RED & WHITE



BLACK BODY WITH BLACK CHECKERED HOUSING

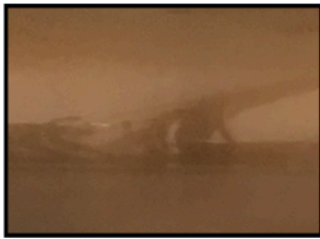


RED BODY WITH GOLD CHECKERED HOUSING



WHITE BODY WITH ROSE GOLD HOUSING

HOUSING COLORS INCLUDE 3 SOLID COLORS:
ROSE GOLD, BLACK TITANIUM, STAINLESS
(COLORS MAY VARY FROM PICTURES SLIGHTLY)



ROSE GOLD

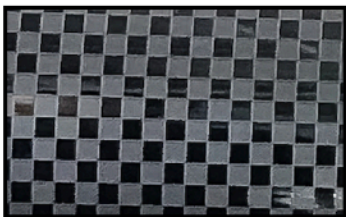


STAINLESS

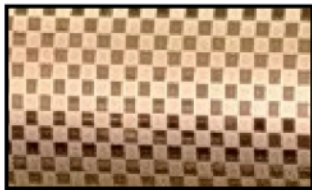


BLACK TITANIUM

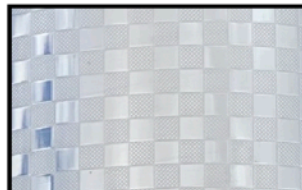
ALSO HOUSING COLORS IN TEXTURED CHECKERED COLORS:
CHECKERED BLACK, SILVER OR GOLD:



CHECKERED BLACK



CHECKERED GOLD



CHECKERED SILVER

BODY COLORS:
BLACK, RED OR WHITE

SOLID HOUSING COLORS: ROSE GOLD,
BLACK TITANIUM,
STAINLESS

TEXTURE HOUSINGS:
CHECKERED GOLD,
CHECKERED BLACK OR
CHECKERED SILVER

BC-8 COMMERCIAL COFFEE ROASTER

- *FLOOR MODEL WITH CASTER WHEELS
- *DIRECT CONNECT CHAFF UNIT FOR SMALLER FOOTPRINT
- *CHOICE GAS MODELS

SIZE (LxWxH)	52X34X62" (INCLUDES DIRECT CONNECT CHAFF UNIT IN MEASUREMENT)
WEIGHT	628LB
MINIMUM CLEARANCE FROM COMBUSTABLE MATERIALS	18-24"
ROASTING CAPACITY	2-8LB SINGLE WALL 1 OZ TO 8LB DOUBLE WALL
ROAST TIME & ROASTS PER HOUR	9-14 MINUTES (5 ROASTS PER HOUR)
DRUM INFORMATION	SW DRUM: 5MM SUPERIOR 304SS CONTAINS 18% CHROMIUM AND 8% NICKEL DW DRUM: HAS TWO LAYERS OF 3MM + 2MM 304SS WITH 6MM OF AIR CUSHION. SS WELDING (TOTAL 11MM THICK)
ELECTRIC STATS:	GAS MODEL: SINGLE PHASE 220V 50/60HZ 610W REQUIRES STANDARD 15A BREAKER
ELECTRICAL PLUG TYPE	GAS MODELS: 20A 250V 3 WIRE NEMA 6-20P
FUEL CHOICES ON GAS MODELS	LPG GAS STANDARD WITH MODELS. NATURAL GAS CONVERSION KITS OFFERED FOR CUSTOMER INSTALLATION ONLY.
BURNER INFORMATION ON GAS MODELS	2020 BURNERS: 12 STANDARD HD BURNERS 2021 MODELS 12 IN SW & 15 DW STANDARD HD BURNERS
BTU REQUIRMENTS	60,000 BTU MINIMUM REQUIRED FOR NG LINE
GAS PRESSURE	LPG: 12-16WC (3-4KPA) MARSHALL 1912/197 REGULATOR RECOMMENDED NG: 7-14WC

EXHAUST SETUP	
EXHAUST PIPE REQUIREMENTS	POSITIVE PRESSURE EXHAUST VENTING WITH MINIMUM CLEARANCE 18-24" FROM COMBUSTABLE MATERIALS
MAXIMUM VENTING LENGTHS	20-25' FROM CHAFF UNIT. DEDUCT 3-5' FOR 45-90 DEGREE PIPE ELBOWS. IF YOU MUST VENT AT LONGER LENGTHS CONSULT A LOCAL TECHNICIAN ON USE OF POSSIBLE BOOSTER FANS
MAXIMUM EXHAUST TEMPERATURES	425-475F
CHAFF UNIT HIGH TEMP.	300-350F
COOLING TRAY HIGH TEMP.	200F
DATA LOGGING VIA ARTISAN OR CROPSTER	BUILT IN DATA LOGGER ATTACHES TO COMPUTER (PC OR MAC) VIA USB OR BLUETOOTH
K TYPE THERMOCOUPLES	BT & ET WITH TWO ADDITIONAL PREDRILLED CAPPED THREADED HOLES TO ADD OR ADJUST
FOR MOVE INFORMATION SEE	
MANUFACTURED IN CHINA FOR BC ROASTERS	CUSTOM BUILT FOR BC SPECS IN USA AND OVER 200 LANDS

[HTTP://WWW.BUCKEYECOFFEE.COM/BC-COFFEE-ROASTERS.HTML](http://www.buckeyecoffee.com/bc-coffee-roasters.html)

BC ROASTERS
BUCKEYE, ARIZONA 85326
TONOPAH, ARIZONA 85354

TOLL FREE: 844.522.6333
INFO@BUCKEYECOFFEE.COM
INFO@BCROASTERS.COM

