

ADandD P/N SEPL-6

Mounts with included hardware. Assembly instructions provided

Option of lenses: Borax High Temp, Laminated Glass, Lexan Lens.

Mounts the below Keyence products.

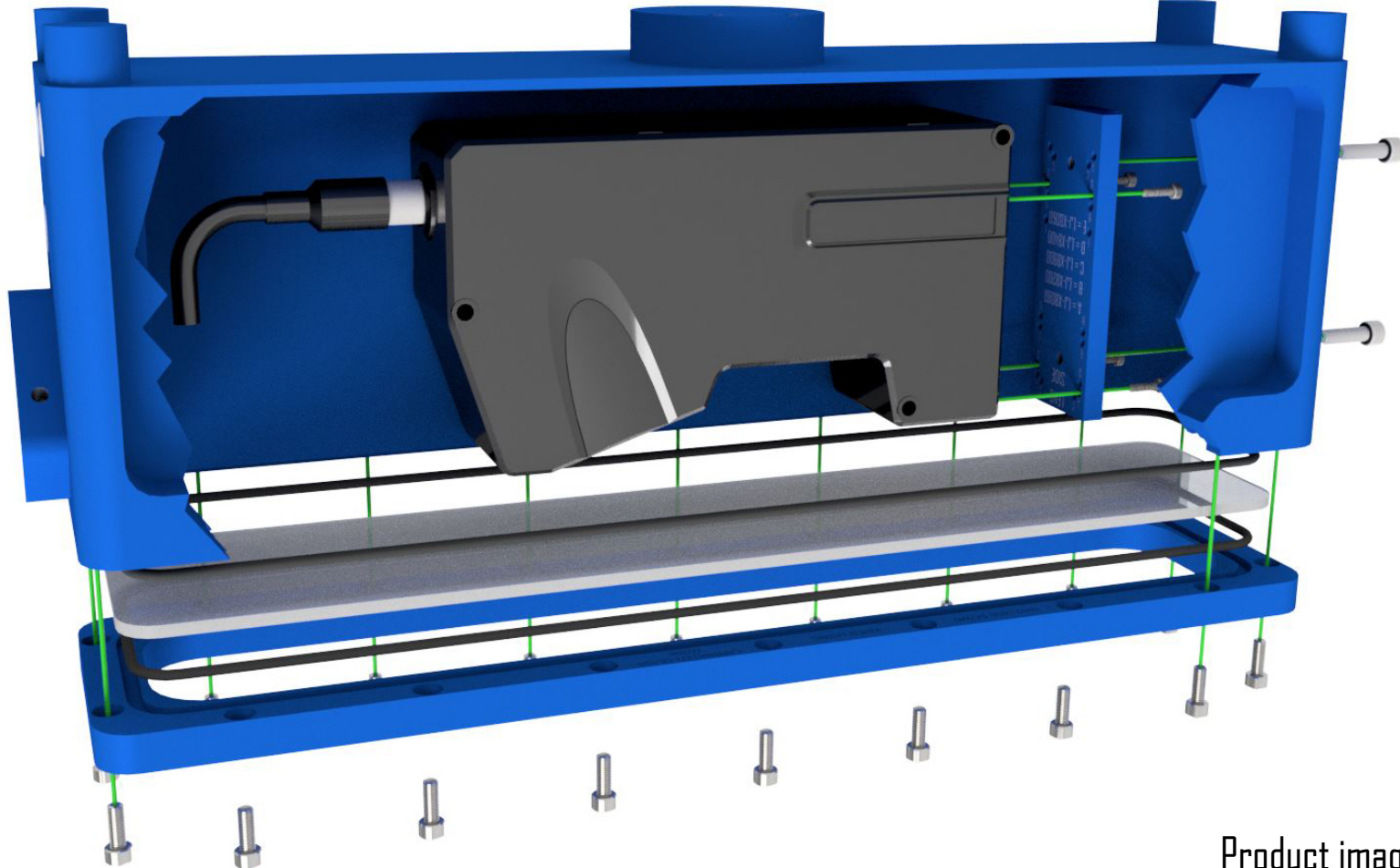
Keyence laser profiler LJ-X8080

Keyence laser profiler LJ-X8200

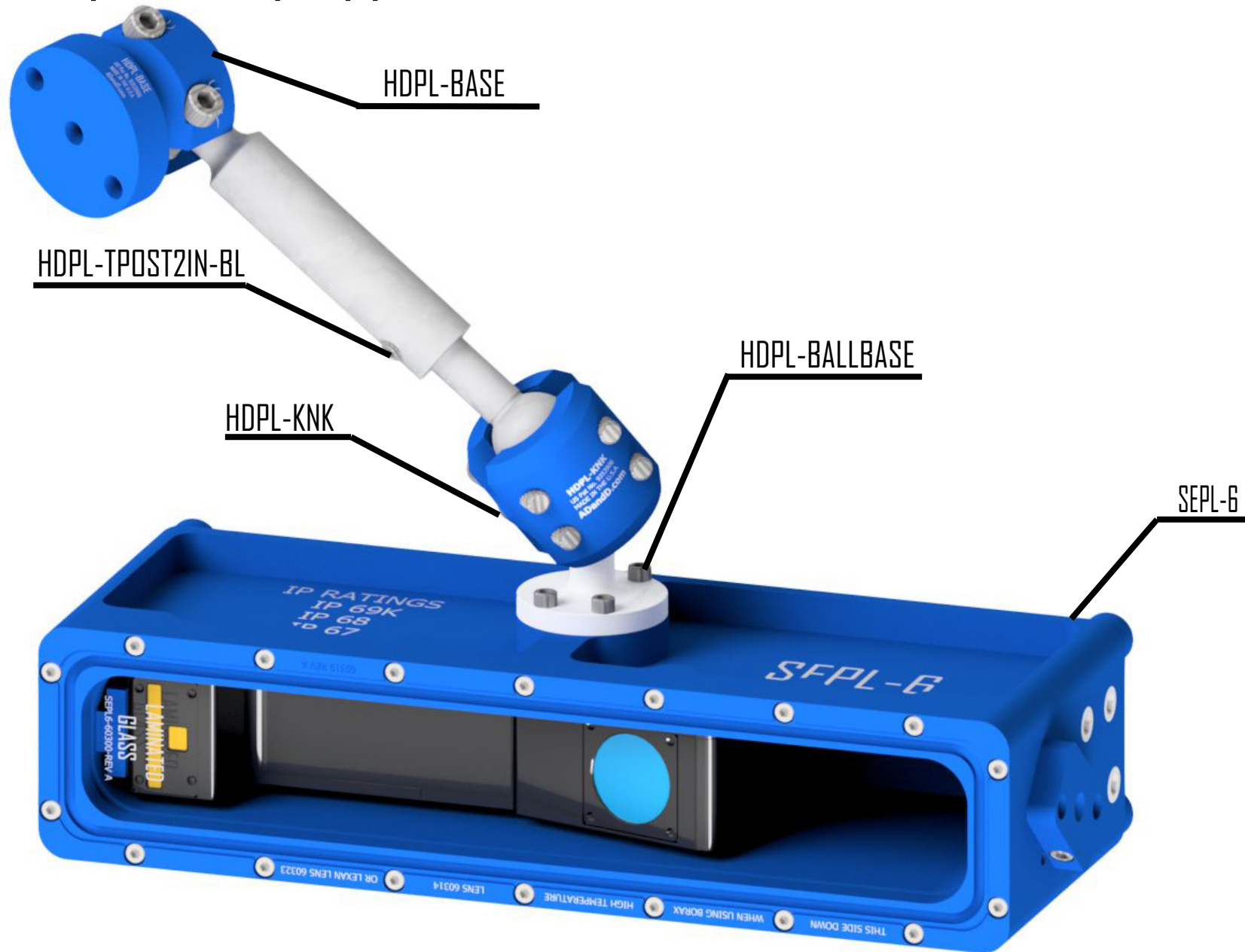
Keyence laser profiler LJ-X8300

Keyence laser profiler LJ-X8400

Keyence laser profiler LJ-X8900



Sample Setup Application



Shown with Keyence laser profiler LJ-X8080
Product images may vary.