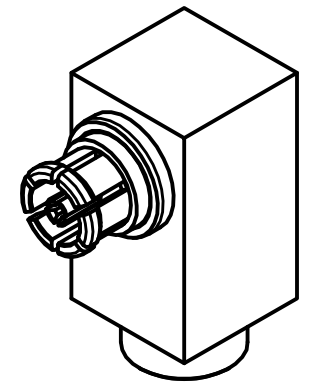
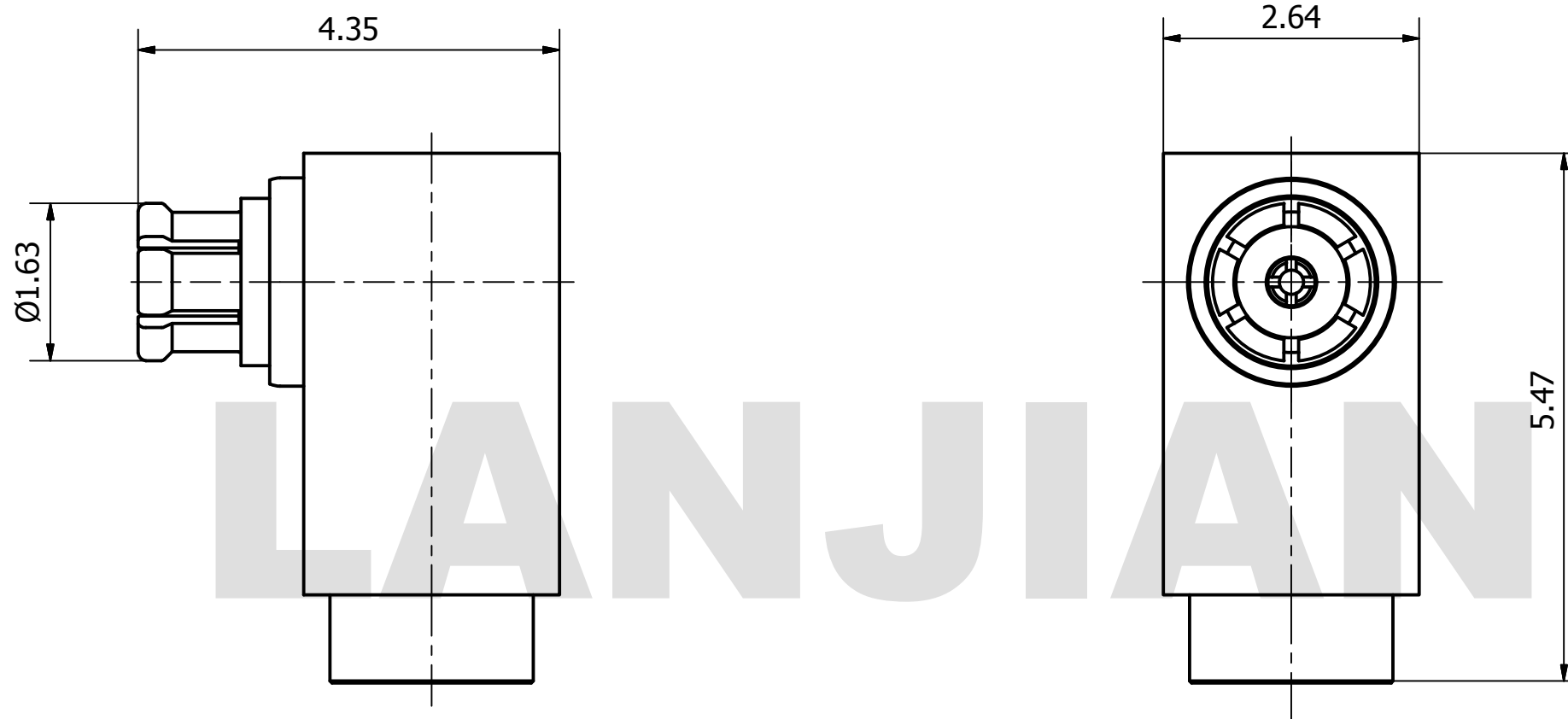


# PRODUCT DATA SHEET



**MATERIAL:**  
**BODY:** BERYLLIUM COPPER PER ASTM B196.  
 ALLOY NO. UNS C17300  
**CONTACT:** BERYLLIUM COPPER PER ASTM B196.  
 ALLOY NO. UNS C17300  
**INSULATOR:** PTFE PER ASTM D1710

THIS DOCUMENT CONTAINS CONFIDENTIAL AND PROPRIETARY INFORMATION THAT CANNOT BE REPRODUCED OR DIVULGED, IN WHOLE OR IN PART, WITHOUT WRITTEN AUTHORIZATION FROM "LANJIAN ELECTRONICS"

MATERIAL :			
UNLESS OTHERWISE SPECIFIED: DIMENSIONS IN MM			
TOLERANCES :			
X.X	± 0.20	ANGULAR : ± 1°	DEBURR AND BREAK SHARP EDGES
X.XX	± 0.10	FILLETS R/C : ± 0.10	
X.XXX	± 0.01	SURFACE FINISH : Ra 1.6	
	NAME	DATE	SIGNATURE
DRAWN			
CHK'D			
APPV'D			
MFG			
PROJECTION		SIZE	SCALE
		A3	15 : 1

**LANJIAN ELECTRONICS**  
 38 Hengtong Road, Xinqu Dingmao  
 Zhenjiang, 212009, Jiangsu, P. R. China

TITLE  
**SMPS FEMALE CONNECTOR 90°**

DWG No. GCPZ3.660.AAB435-547.6.100	REV.
DO NOT SCALE THE DRAWING	PAGE 1 / 1