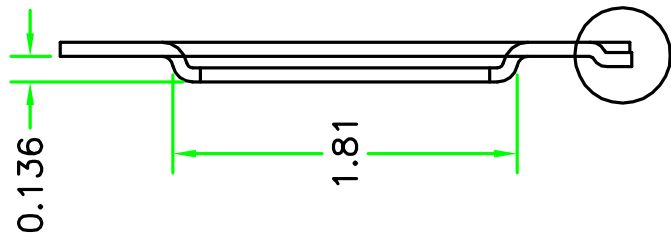
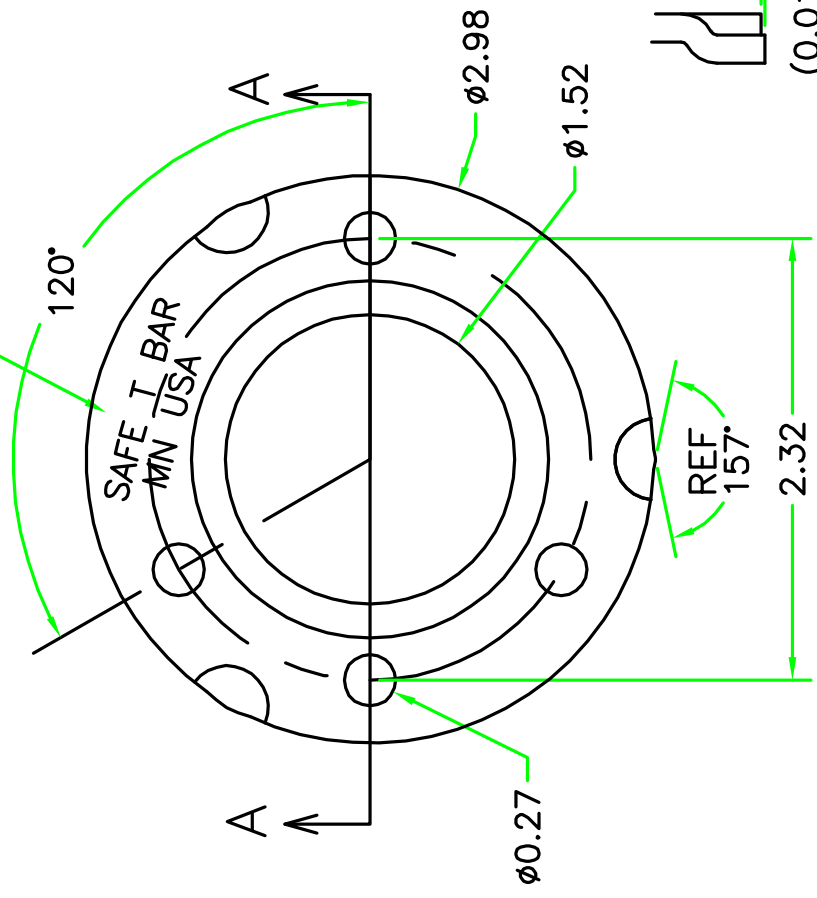
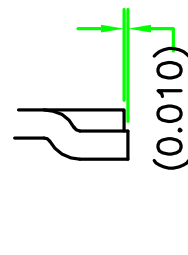


REV	DESCRIPTION	DWN	CKD	DATE
-	---	---	---	---
-	---	---	---	---

STAMP APPROX.
WHERE SHOWN



SEE DETAIL A



EMBOSS TO FIT
SNAP COVER (3X)

SAFE T BAR

DRAWN IN INCHES	DRAWN FOR: SAFE T BAR	WO#
MATERIAL:	TITLE: WASHER	
14 GA. SST	FRACIONS: ±1/16	DRAWING NUMBER: WASHER
FINISH: NONE	ANGULAR: ±1°	SIZE: B
	DRAFTER: JOHN ENHORN	DATE: 3-23-15
	CHECKER:	REV
		SHEET 1 OF 1



SECTION VIEW A:A