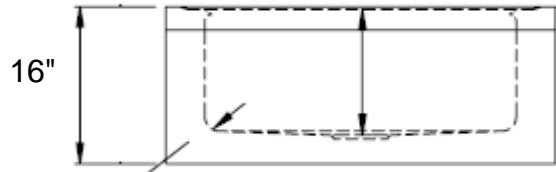
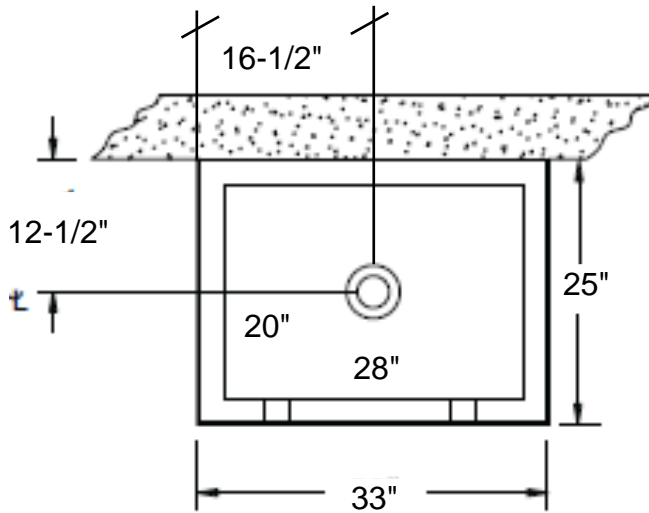


WICKETTS STAINLESS SPECIFICATION

Commercial Mop Sinks



Model Number			
WMS-2533-16	33	25	16
Custom			

Engineering Specification:

16 gauge, type 304 stainless mop sink. Top 2-1/2" wide top channel rims. Exposed surfaces polished to a #4 satin finish. With. 2" Or 3" drain.

⚠ WARNING:
This product can expose you to chemicals, which are known to the State of California to cause cancer. For more information, visit www.P65Warnings.ca.gov.

Wicketts Stainless, LLC
2616 San Miguel Dr. Bldg.# 376
Newport Beach, CA 92660
Tel. 951-858-2548
Fax. 951-638-9059
sales@wickettsstainless.com
www.wickettsstainless.com



Approved for Manufacturing

Company: _____
Signature: _____
Print: _____ Date: ____ / ____ / ____