

# **BREEZAIRE** PRODUCTS COMPANY

8070 St Andrews Ave San Diego, California 92154 (858) 566-7465  
Web Site: [www.breezaire.com](http://www.breezaire.com) Email: [info@breezaire.com](mailto:info@breezaire.com)

## **WKL SERIES**

(USA ONLY)

### **--INSTALLATION INSTRUCTIONS--**

Thank you for choosing a **BREEZAIRE** cooling unit. We believe our products are the best on the market and will provide many years of trouble-free service.

Please take a few minutes and read this entire instruction before beginning the installation.

Before removing the cooling unit from the box, please inspect for damage, which might have occurred during shipping. If damage is found, notify the Freight Company immediately. **BREEZAIRE** is not responsible for any damages during shipping.

MODEL \_\_\_\_\_ SERIAL NUMBER \_\_\_\_\_

INSTALLED BY \_\_\_\_\_ DATE \_\_\_\_\_

While great effort has been made to provide accurate guidelines, **BREEZAIRE** cannot warrant its units to properly cool a particular enclosure. Customers are cautioned that enclosure construction, unit location and many other factors can affect the operation and performance of the unit. Therefore the suitability of the unit for a specific enclosure or application must be determined by the customer and cannot be warranted by **BREEZAIRE**.

\*All Breezaire units can be modified for a list visit the website or contact Breezaire and your dealer for help.

**BREEZAIRE Products Company**

8070 St Andrews Ave - San Diego, CA USA 92154 - (858) 566-7465

Web Site : [www.breezaire.com](http://www.breezaire.com) Email : [info@breezaire.com](mailto:info@breezaire.com)



# INSTALLATION INSTRUCTIONS FOR WKL SERIES

The **BREEZAIRE** WKL Series cooling units are designed to, when installed in a properly constructed enclosure, provide a constant, selectable temperature between approximately 48°F and 63°F while reducing the excess relative humidity to the proper 50% to 75%. **BREEZAIRE** cooling units are designed to lower the temperature, while removing *only* excessive moisture. In a properly constructed enclosure this process can raise the *relative* humidity. The unit does not add moisture to the enclosure. The unit does not include a heating system and will not warm the enclosure. The WKL Series is not intended to cool service cabinets, which are maintained at lower temperatures and opened or entered frequently.

The WKL Model has a digital electronic (Sentry III) thermostat that adds additional safety and convenience features:

- ☞ Large, easy to read, green LED display.
- ☞ Accurate, easy to adjust (no tools needed), readable set points with continuous reading of enclosure temperature or displaying of set point when changing enclosure temperatures.
- ☞ Power outage protection, which delays unit start up after power outages.
- ☞ Blocked airflow protection, which shuts down unit and protects wine in case of high temperatures caused by condenser blockage.
- ☞ Controls temperature by enclosure air sensors or optional bottle probe.

All Breezaire units can be modified for a list visit the website or contact Breezaire and your dealer for help.

## ENCLOSURE CONSTRUCTION

To use the below SIZING GUIDE, the enclosure to be cooled must be built to the following minimum specifications. If the enclosure cannot be built to these minimum specifications, consult your **BREEZAIRE** dealer for assistance in choosing the correct unit. **BREEZAIRE cooling units are not warranted to cool a specific enclosure.**

All walls, floors and ceilings should have a vapor barrier. This vapor barrier should be installed on the warm side of the insulation. All interior walls and floors should be lined with a minimum of R-11 insulation and exterior walls and ceiling insulation value should be a minimum of R-19. There should be no glass doors and/or windows.

- ☞ All joints, door frames, electrical outlets or switches and any pipes or vents which go through the enclosure should be sealed to prevent air and moisture leakage into the room. Concrete and brick are not insulation or moisture barriers.
- ☞ Doors into the enclosure should be of minimum size, insulated to R-11 and be tightly sealed with a high quality weather stripping. Be sure to seal the bottom of the door and behind the door frame's molding.
- ☞ Enclosure lighting should be of low wattage, with a timer to insure lights are not left on when the enclosure is unoccupied. Recessed lighting should not be used, as they will allow outside air to enter the enclosure.
- ☞ If the ambient temperature surrounding the enclosure should exceed the desired cellar's temperature by more than 25°F, the unit will produce less than its stated BTUs. No enclosure wall should receive direct sunlight or strong wind.
- ☞ This is a mechanical piece of equipment; it will make noise and produce heat on the warm side exterior condenser grille (Fig. 3). Remember, unit installation location is not only important inside the wine cellar, but just as important is where the warm side exhaust air is being rejected.
- ☞ **Note:** Glass doors and/or windows are not included in our calculations and should not be used in a wine enclosure.

## SIZING GUIDE & SPECIFICATIONS

*This guide to be used only for enclosures meeting the above construction requirements. All units are 115 Volt, 60 Hz.*

<b>BREEZAIRE</b> Model	Enclosure Volume	Electrical	Dimensions (inches)	Weight
WKL 1060	140 cu.ft.	3 Amp	14.25W x 13.25H x 16.38D	45 lb.
WKL 2200	265 cu.ft.	4 Amp	14.25W x 13.25H x 16.38D	55 lb.
WKL 3000	650 cu.ft.	5 Amp	14.25W x 19.75H x 21.63D	76 lb.
WKL 4000	1000 cu.ft.	7 Amp	14.25W x 19.75H x 21.63D	81 lb.
WKL 6000	1500 cu.ft.	9.5 Amp	16.25W x 22.00H x 21.63D	101 lb.
WKL 8000	2000 cu.ft.	10 Amp	16.25W x 22.00H x 21.63D	101 lb.

## INSTALLATION

Before installing the unit, inspect it again for any shipping damage. Test the unit by placing it in a room where the temperature is above 65°F. Position the unit to allow cold air to flow from evaporator outlet. (See Fig. 1) Plug the unit's electrical cord into a properly grounded electrical outlet of adequate capacity (see unit specification for unit electrical requirements).

The Sentry III has no "off" position; therefore, it will begin to run within 5 minutes of being plugged in. Allow it to run for a minimum of 15 minutes. There should be a flow of cool air from the evaporator side upper grille (see Fig. 1) and warm air should be flowing from the upper opening on the warm air exhaust (condenser) grille (see Fig. 3). If there is no airflow or no change in temperature on either side, contact your dealer.

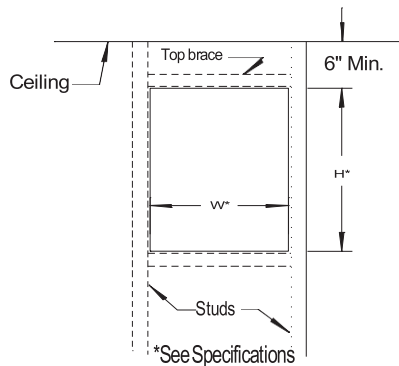


Figure 2

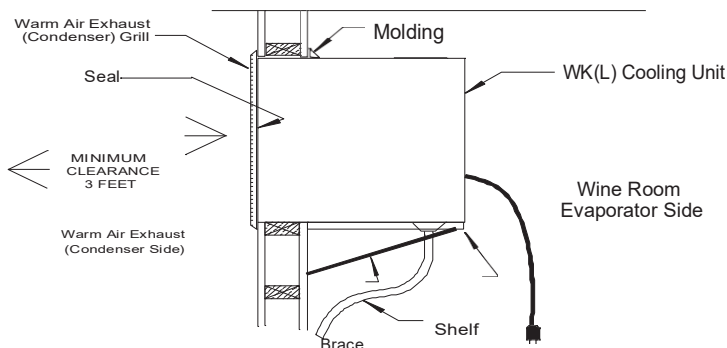


Figure 3

**BREEZAIRE** units should **NOT** be installed in a fire rated wall without consulting your local building inspector and building codes.

**If your installation cannot be performed in accordance with these instructions contact your dealer.**

The unit must be installed in the upright position and is not designed to have ductwork on either the warm air or cold air sides. Do not drill any holes in the cooling unit. It may damage the unit, promotes rust, and will void the warranty. Do not install the unit so that its removal will be difficult or impossible. It may be necessary to periodically remove the unit to clean the condenser coil.

Select a place to mount the unit where the airflow from the warm air exhaust is unobstructed for a minimum of 3 feet. The area into which the unit exhausts must be well ventilated. If not, the unit will be unable to reject the excessive moisture and heat, resulting in unsatisfactory performance.

An inappropriate location for the warm air exhaust includes unventilated laundry rooms, closets, bathrooms, garages, crawl spaces, attics, and humid basements.

Make sure that the warm air exhaust condenser grille can be properly attached to the unit (see Fig. 3).

Make a hole through the wall as illustrated in Fig. 2. The dimensions of the hole should be approximately 1/4 inch larger than the width and height given in the specifications.

If the unit is to be installed above floor level, construct a shelf as shown in Fig. 3. This shelf must be capable of supporting the weight indicated in the specifications. NOTE: Insulation placed between the unit and the shelf will reduce additional noise and help reduce condensate from forming on the underside of the unit.

Cut a hole in the shelf that corresponds to the Pull-down drain tube's location on the underside of the unit. Refer to section "ENCLOSURE PROBLEMS".

Place the unit through the opening with the warm air exhaust side, flush to the outside of the wall (see Fig. 3). Attach the warm air exhaust condenser grille to the unit and to the wall with screws supplied with grille. Note: the unit may be installed with the cold side flush to the inside wall, however, two provisions must be made. First, insure the warm air exhaust grille will be installed. Second, insulate and vapor barrier the framed opening to prevent moisture in the wall from condensing on the cold surface of the cooling unit. Please remember that in all cases the warm air exhaust condenser grille must be directly attached to the warm side of the unit. Do not leave an air gap between the unit's surface and the warm air exhaust condenser grille. **The unit will not work properly without this grille.** The exhaust condenser grille has only a white primer coat. If the exhaust condenser grille is installed on an outside wall it should be coated with an appropriate paint.

**Seal the opening around the unit with high quality weather stripping and cover with an appropriate molding.** Attach the molding to the wall, not the unit. Plug the unit's electrical cord into a properly grounded electrical outlet of adequate capacity (see unit specification for unit electrical requirements)

TOP	Cold Air Discharge
MIDDLE	Sentry III Controller
BOTTOM	Wine Cellar Intake Air

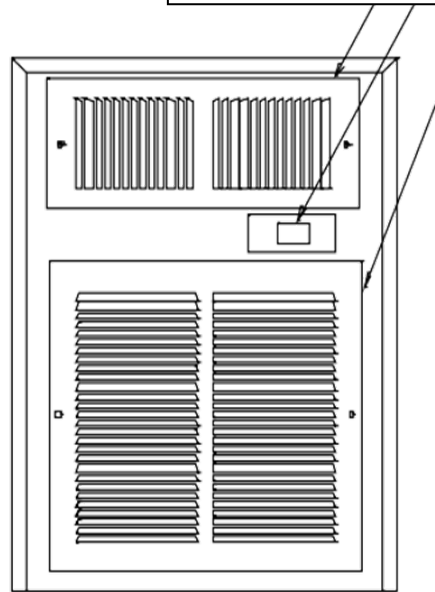


Figure 1

## Operation

On initial start-up the cooling unit will reduce the temperature of the enclosure slowly. The unit may run constantly or cycle off for short periods. The time required to reach the desired temperature will vary, depending on the enclosure construction and contents.

The Sentry III is factory set to approximately 55°F Fahrenheit. Unless the temperature falls below that which is desired, do not change the thermostat setting for at least 3 days.

During normal operation the Sentry III readout will display the temperature of the air entering the intake of the cooling unit. If the optional bottle probe is installed the intake air sensor will be disconnected and the temperature of the probe will be displayed. The temperature being displayed is also the temperature used by the control system to turn the cooling unit on and off.

After initial cool down, the "on-off" cycle should be relatively constant. The percentage of "off " time will depend on enclosure's construction, placement of unit, contents, and surrounding outside temperatures. If it is necessary to adjust the temperature of the enclosure; adjust the thermostat to a colder temperature while the unit is running and to a warmer temperature while the unit is off. The set point can be adjusted no lower than 48°F or higher than 63°F. NOTE: If the enclosure is not cooling to the current set point, lowering the set point temperature further will not help. (See ENCLOSURE PROBLEMS section)

The Sentry III set point, desired enclosure temperature, may be changed by pressing and holding the "SET" button while momentarily pressing the "COOLER" or "WARMER" button. When the "SET" button is pressed the readout will automatically change and display the current set point temperature

Should the operation of the cooling unit be interrupted by a power outage or by raising the set point temperature while the unit is running the Sentry III's internal delay will be activated, and the unit will not restart for approximately three (3) minutes. NOTE: This delay may also occur on initial power-up. **Please see the Sentry III+ Owner's Manual.**

## MAINTENANCE

The **BREEZAIRE** cooling unit requires very little maintenance. To maintain optimal performance, the condenser coil should be inspected and cleaned every 3 months. Remove the exhaust condenser grille located outside the enclosure and use a vacuum (with brush attachment) to remove dirt and lint from the fins of the condenser coil.

**If the condenser coil becomes blocked preventing proper air flow the unit will over heat causing a loss in cooling efficiency and will result in a failure of the unit not covered under warranty.**

## ENCLOSURE PROBLEMS

**BREEZAIRE** is extremely proud of the quality and reliability of its products. Experience has shown that of the small number of problems encountered, the large majority are due to improper unit selection or enclosure construction. Should the cooling system be suspected of malfunctioning, check the temperature of the air being exhausted from the upper part of the warm air exhaust condenser grille. If it is warm, the unit is working. A further check may be made by comparing the air temperature entering the lower grille on the cold side (Evaporator side) with that leaving the upper cold side grille. (see Fig. 1) If the air leaving the unit is 6°F or more degrees colder than the temperature entering, the unit is working properly. In some cases, improper placement or installation may cause the unit's performance to be compromised. In situations where the ambient relative humidity is very low, the desired enclosure relative humidity may not be achieved without adding moisture. To add moisture to the enclosure only use slow, natural evaporation from a small porous water container. Do not use a humidifier.

Improper placement or installation may cause the unit's performance to be degraded. If the unit is exhausted into a confined area with poor ventilation or duct work, it will not be able to reject the heat and moisture it is removing from the enclosure and a malfunctioning unit will be suspected. If an obstruction to the flow of fresh air into or from the cooling unit (see Fig. 3) is stopped or restricted for any reason the unit could heat rather than cool the enclosure.

**NOTE:** Should this condition develop the Sentry III will turn the unit off when the enclosure temperature rises to approximately 75°F, the unit will not restart until the enclosure temperature is lowered to approximately 65°F or the unit is disconnected and then re-connected to the power supply. This feature is disabled for approximately 45 minutes after the unit is connected or re-connected to a power supply to allow initial cooling of enclosure. **Please see the Sentry III+ Owner's Manual.**

All Breezaire units can be modified for a list visit the website or contact Breezaire and your dealer for help.

Proper sealing of the enclosure through the use of a vapor barrier and weather stripping cannot be over emphasized. The unit will not be able to maintain the proper conditions if fresh; moisture-laden air is constantly being introduced into an improperly sealed enclosure. Symptoms of this condition are; unit runs all the time with only a slight reduction in enclosure temperature and/or water overflows from the unit. One way of discovering gross air leaks is to stand inside the enclosure with the lights off, allow your eyes to adapt to the dark and look for light showing through cracks in the walls or around the door. Also close the door on a piece of paper, if you can pull the paper through the door seal, it means air and moisture are also entering into your enclosure. Because of the temperature difference between the inside and outside, very small cracks can allow large amounts of outside air into the enclosure. Please be aware that moisture will pass through solid concrete, brick, paint, paper and wood. A newly constructed room may contain fresh wood, paint, concrete and other building materials containing large amounts of moisture. This condition can cause symptoms similar to a poorly sealed enclosure, but will gradually go away.

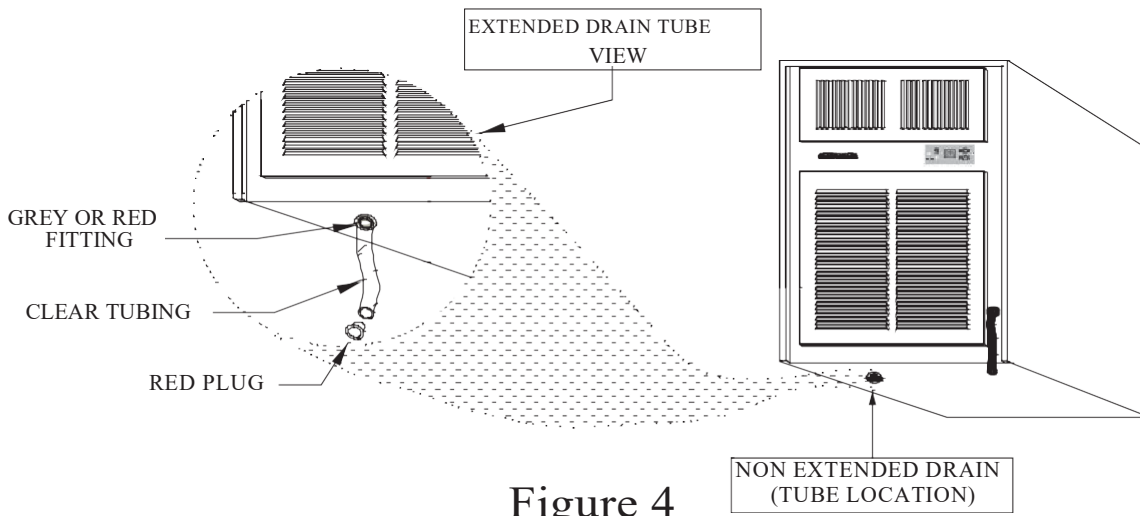


Figure 4

**EXCESS CONDENSATE DRAIN TUBE:** Your unit is equipped with a **Pull-down Drain tube** to prevent condensate overflow. ***This tube should only be used to temporarily drain excess amounts of condensate caused by excessive moisture laden air entering the enclosure. The source of this air must be eliminated.***

**EXTENDING THE DRAIN TUBE:** To extend and open the drain, use a pair of small pliers to grab the red plastic plug and vinyl tubing. Pull the plug and tubing down approximately 6 inches until it snaps into the locked position and the "Grey Fitting" is visible through the drain hole (see Fig. 4). Remove the bottom red plug. Now the cooling unit will drain any condensate that is standing above 1/4 inch deep in the base pan.

**CLOSING THE DRAIN TUBE:** To close the drain tube, simply replace the "Red stopper" and push the vinyl tubing back up into the bottom of the cooling unit. This action extends the top of the tube above the water line preventing it from draining.

**CAUTION:** Do not push the entire length of tubing back up into the drain hole.

**INSTALLING A DRAIN LINE:** To extend the drain tube into a basement drain or container, acquire a length of vinyl tubing with an inside diameter of 1/2 inch from a local hardware store. Slip this larger piece of tubing over the Pull-down drain tube. **CAUTION:** Always have the extended drain line running "downhill". This is a gravity flow system. If a horizontal run is encountered, an air vent or condensate pump may be required to maintain drainage.

**Do not drill or tap the drain hole. Doing so will result in rusting of the metal base and void the unit's warranty.**

All Breezaire units can be modified for a list visit the website or contact Breezaire and your dealer for help.