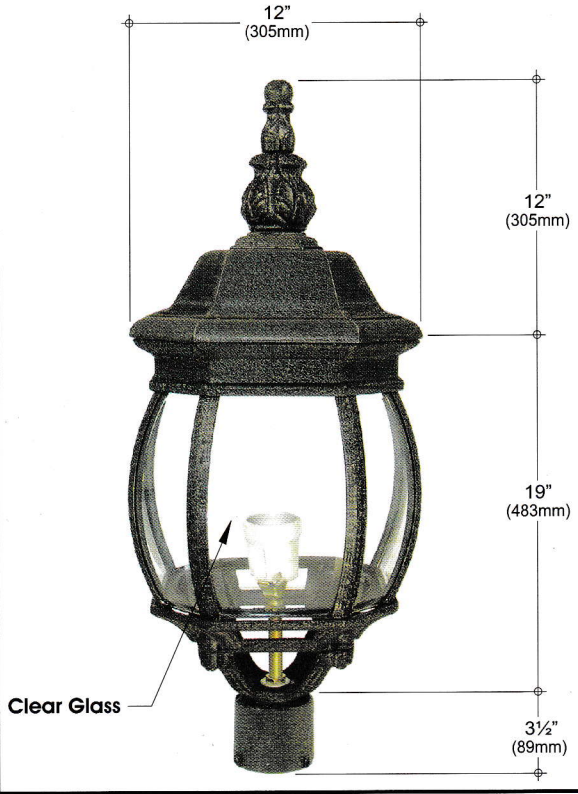


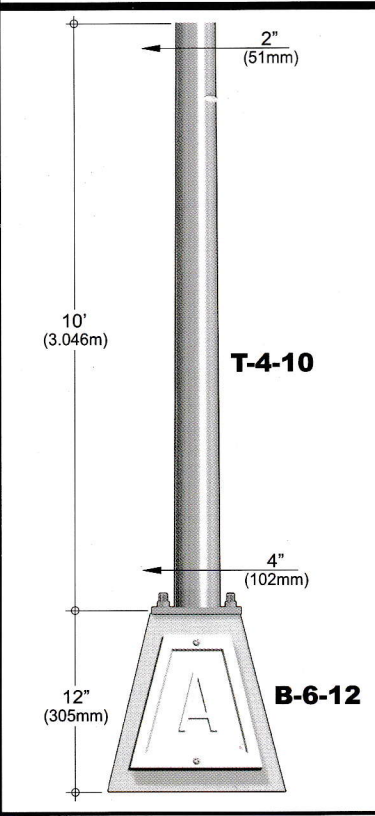
**AMCO DECORATIVE DIE-CAST ALUMINUM TAPERED & STRAIGHT POST, BASE STAND & PAKWAN LANTERN**



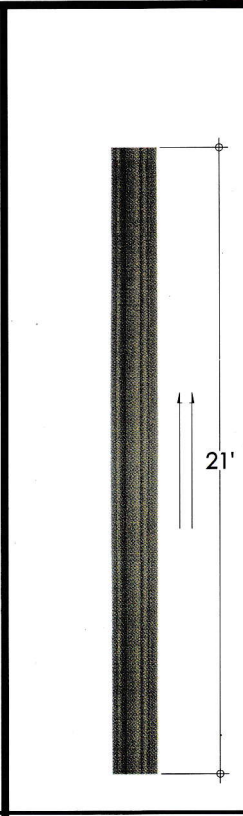
MODEL NO.  
**PK - 8**



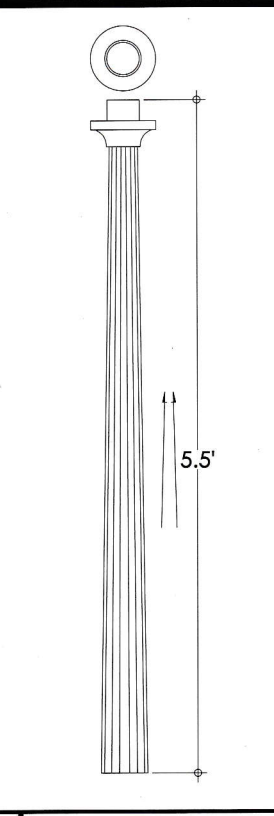
MODEL NO.  
**PK - 8 - 2K**



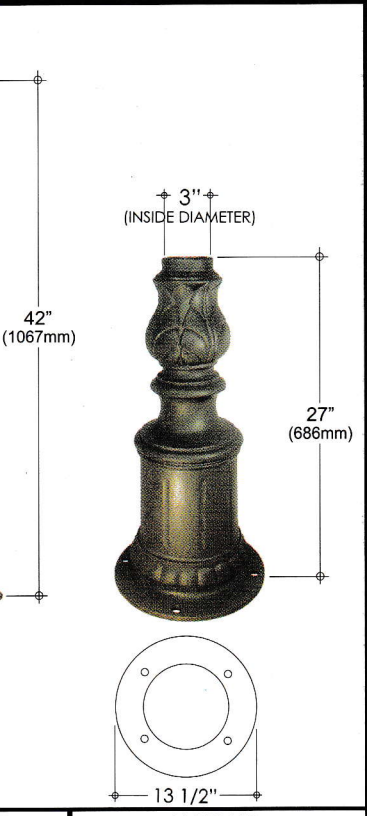
MODEL NO.  
**T-4-10-B-6-12**



MODEL NO.  
**DS - 3**



MODEL NO.  
**B - 42**



MODEL NO.  
**B - 27**