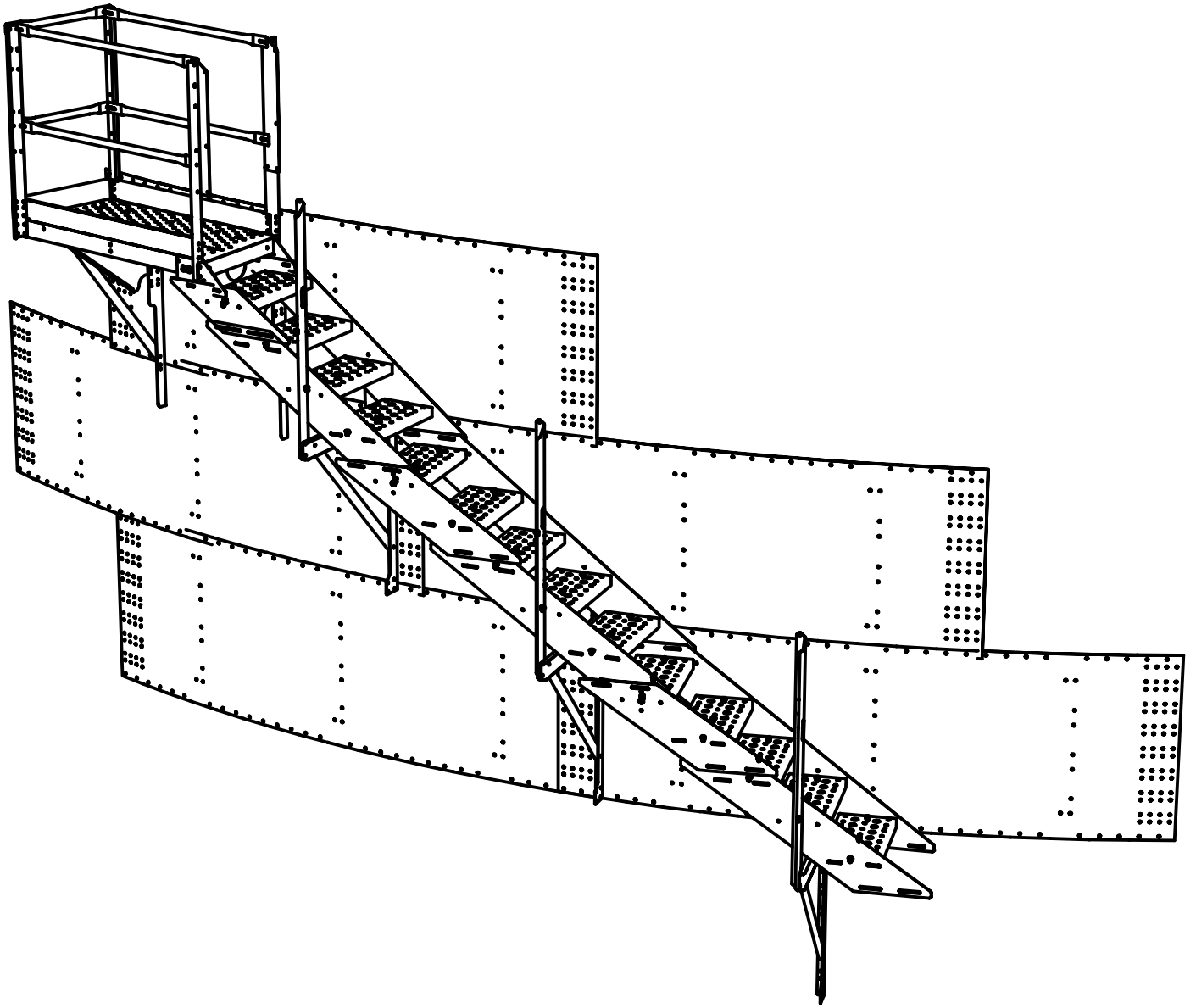


# C-Series Sidewall Stairs

## 39" Farm Duty Assembly Instructions & Parts Reference

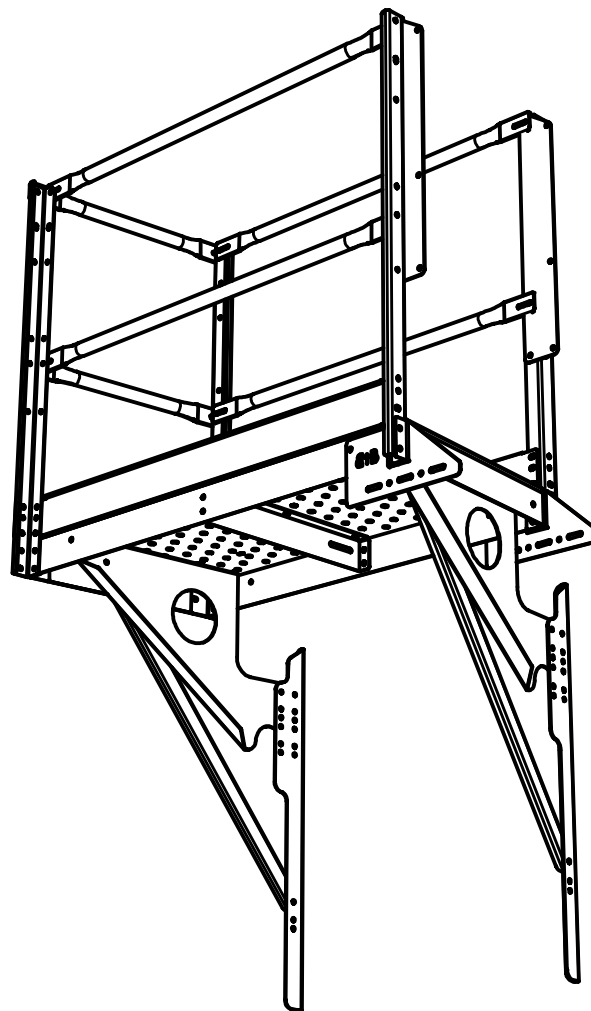


# C-Series Sidewall Stairs

39" Farm System

## Document Guide

Wall Bracket Layouts.....	4
Position Guides.....	6
Eave Platform Layout.....	7
Platform 3539L Components & Assembly.....	9
5-Step Stair Section.....	17
Stair Handrail.....	21
4-Step Stair Section.....	23
Bottom Section.....	25

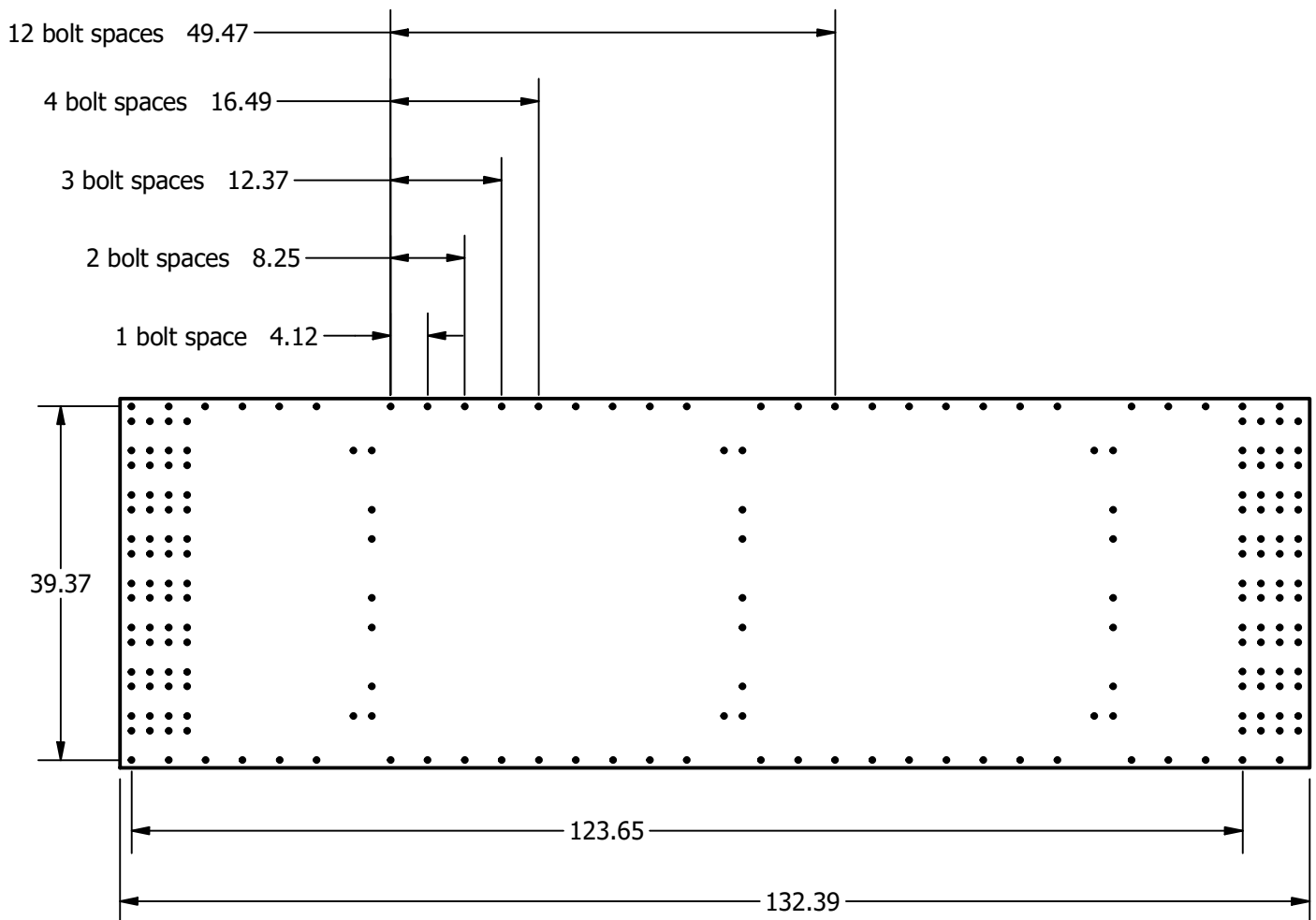


Updated May 2022

# 39" Bin Sheet Bolt Spacing

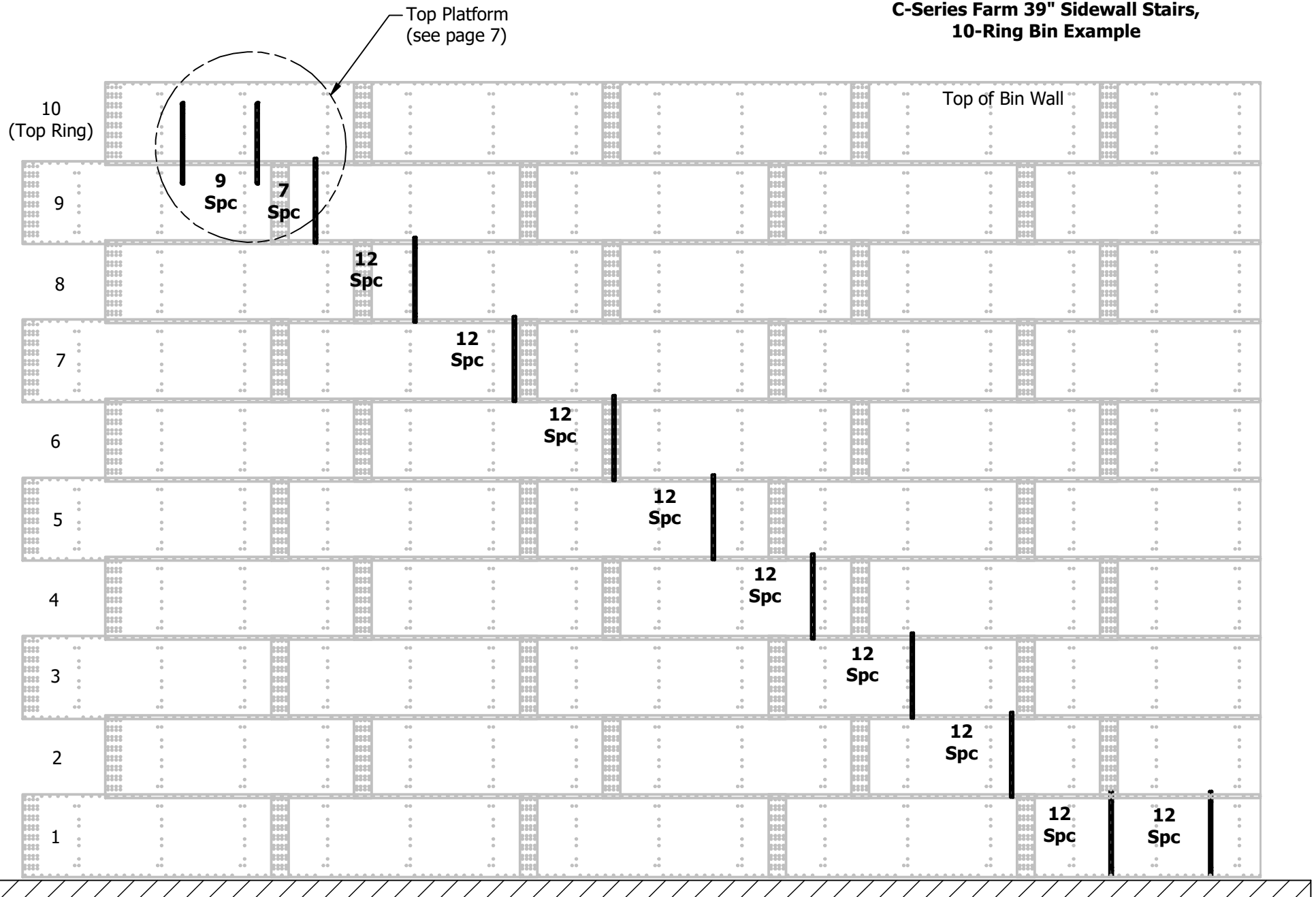
A standard 39" bin sheet is shown below. Wall bracket placement is marked by "Bolt Spaces" throughout these instructions. On a 39" sheet, a bolt space is equal to 4.125 inches.

Bolt Spaces are marked as dimensions along with the actual dimension in most cases. Correct spacing between wall brackets is crucial for proper stair assembly.



**39" Bin Sheet**  
(1 Sheet = 30 bolt spaces)

**C-Series Farm 39" Sidewall Stairs,  
10-Ring Bin Example**



Overall Run Distance can be determined using this formula:

**Bolt Spaces:**  $4 + 12 \times \text{ring count} = \text{Total Bolt Spaces}$

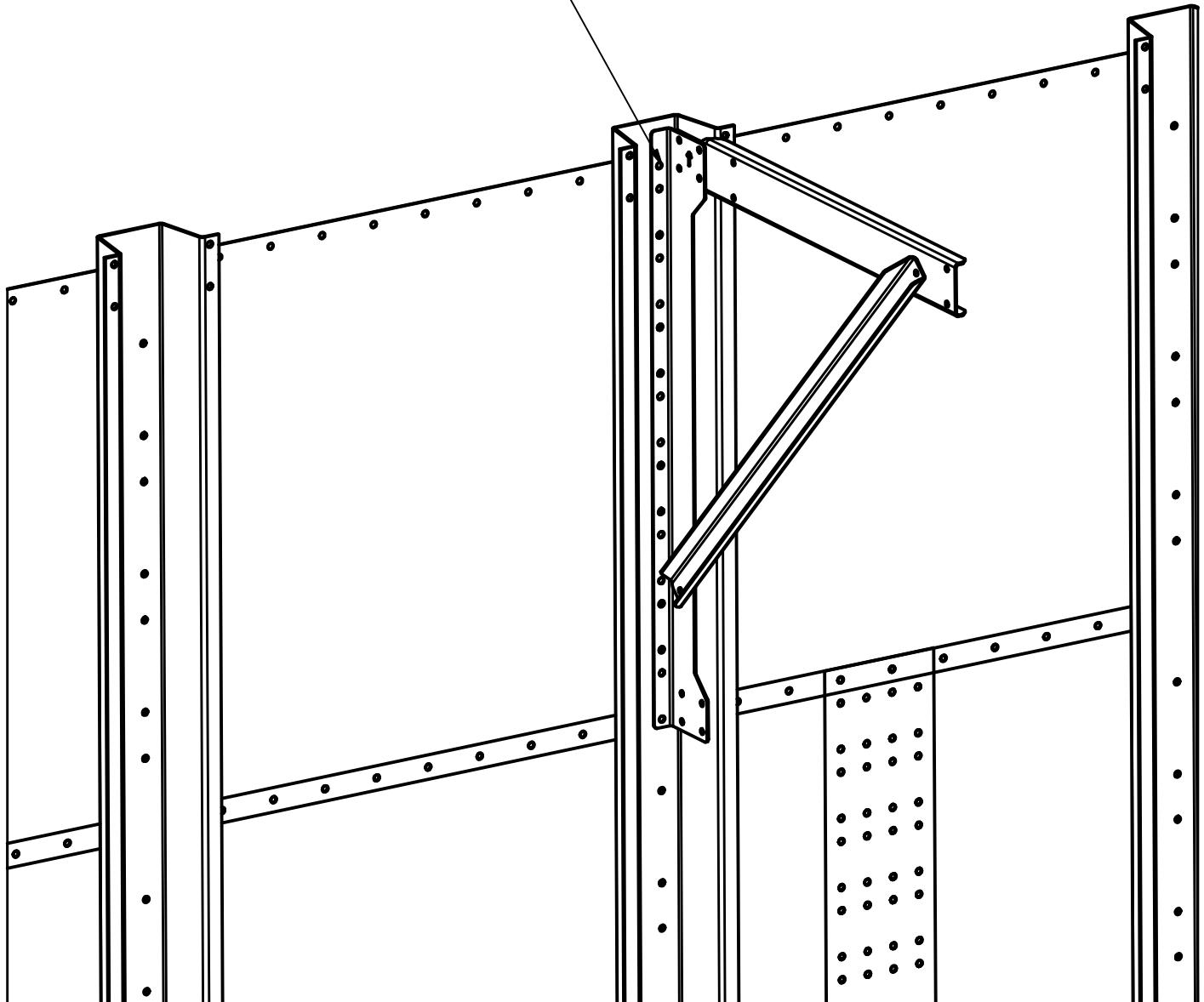
**Bin sheets** =  $\text{Total bolt spaces} / 30$

## 39" Outside Stiffener Accommodation

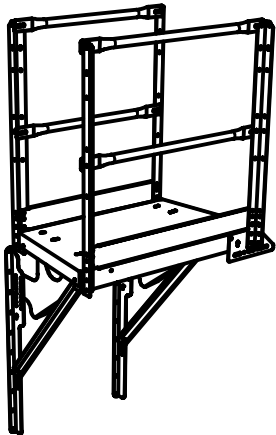
Standard wall bracket layout may be interrupted by the use of exterior stiffeners  
If the bracket lands on an occupied bolt hole, it is recommended to nest the wall bracket in the stiffener valley to utilize existing holes

Minor deviation ( $\pm 2"$ ) from standard bolt spacing can be absorbed by adjustment of stair sections

Nest wall bracket inside stiffener  
in the case of layout interference



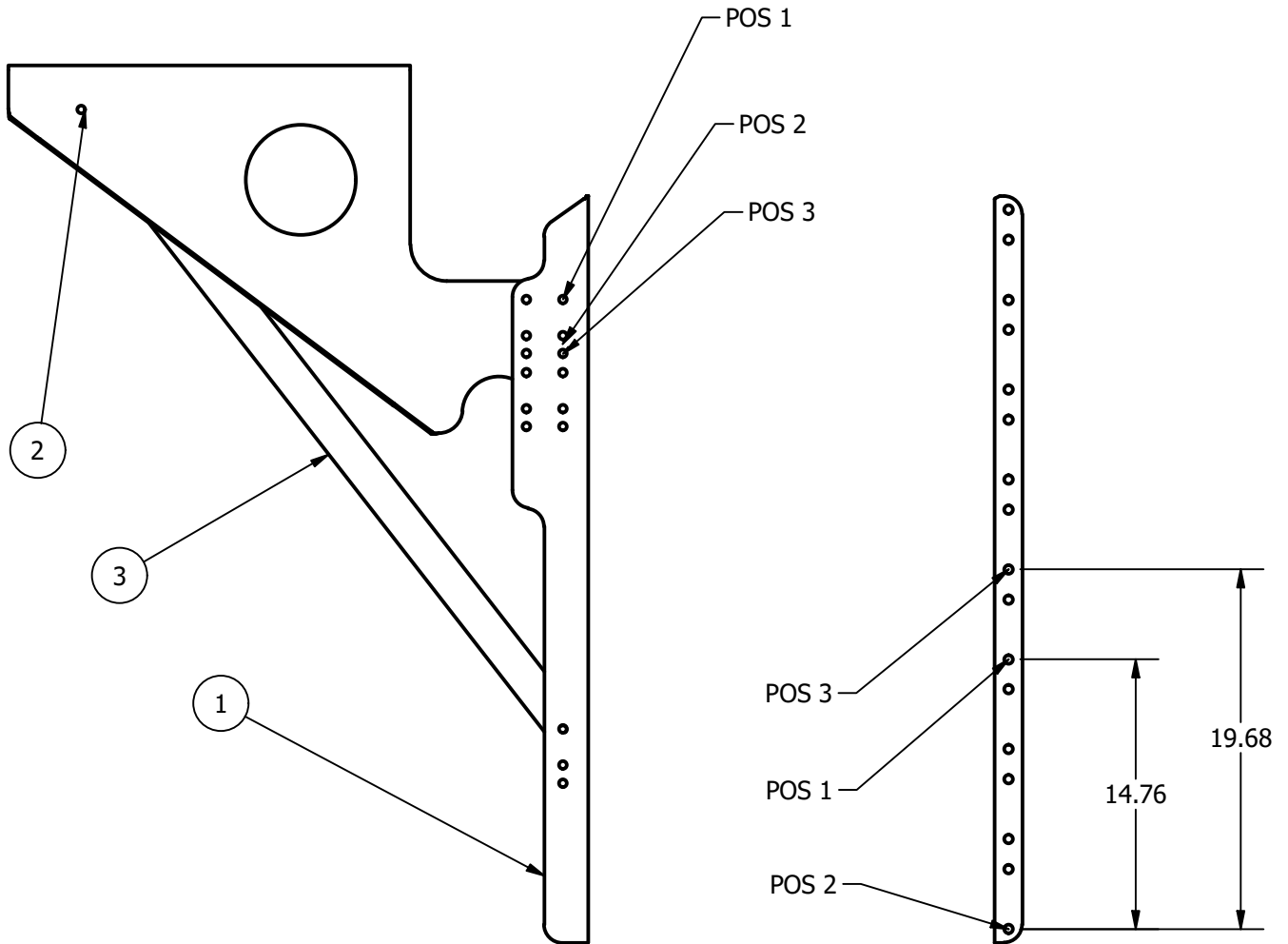
# Platform A-Frame 39" Position Guide



PARTS LIST			
ITEM	QTY	PART NUMBER	DESCRIPTION
1	1	CS-33901	Bracket, Wall, 39.37 Platform
2	1	CS-34402	Brace, Plate, Platform
3	1	CS-32002	Channel, K-Brace, C-Series

There are 3 position adjustments for brackets mounted in or below the seam.

On the Farm duty 39" package, the top platform will use POS 1 and be followed by a 4-step section. The base Farm duty packages do not include rest landings.



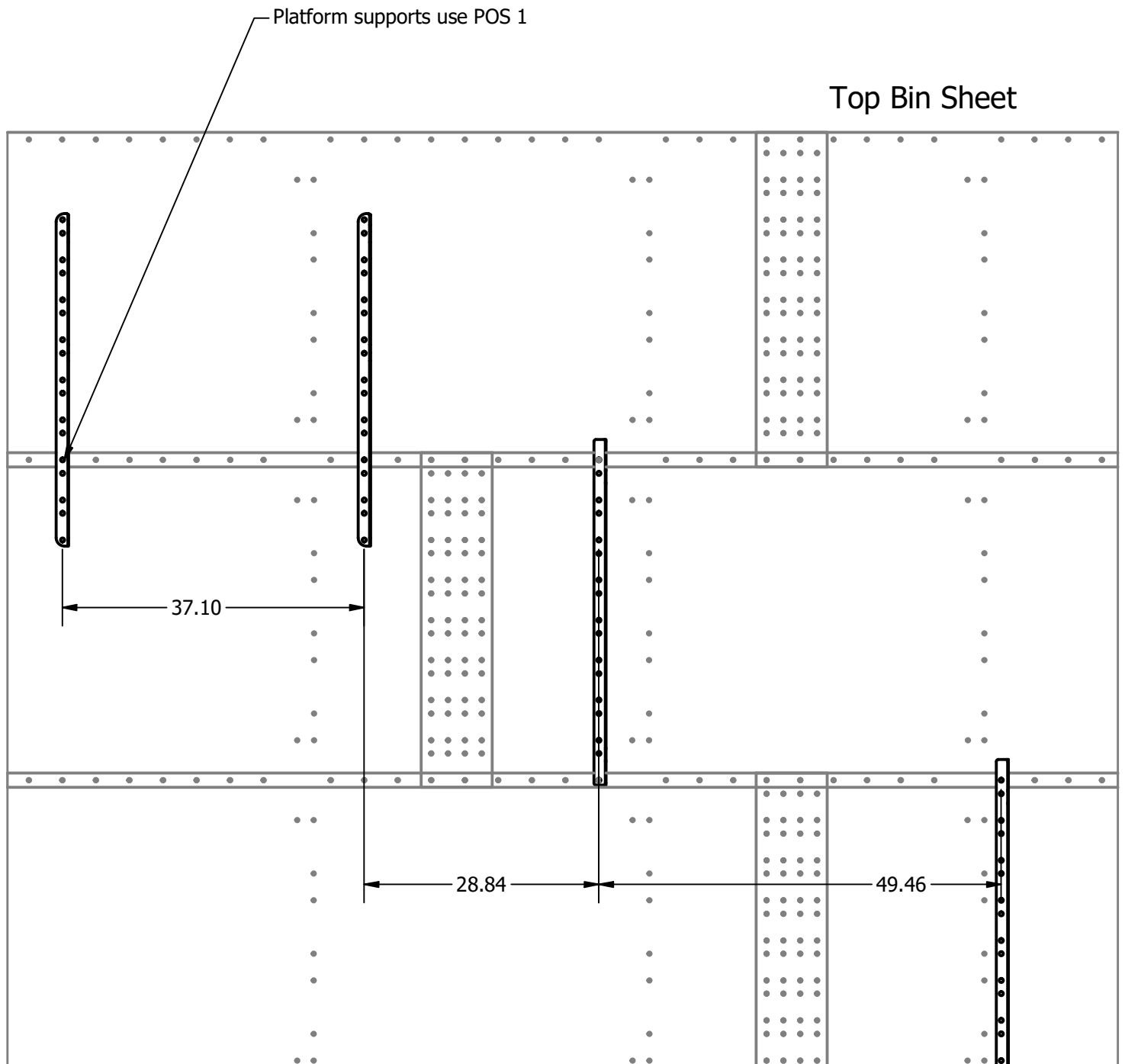
Indicated hole should be mounted at sheet seam

## Eave Platform Wall Bracket Horizontal Bolt Spacing, C-Series Farm 39" Long Platform

The horizontal spacing between the long eave platform wall brackets is 9 bolt spaces (37.1").

The horizontal spacing from the platform wall bracket to the 4-step stair wall bracket is 7 bolt spaces (28.84").

The remaining stair brackets are 12 bolt spaces apart (49.46")



## Platform Wall Bracket Horizontal Bolt Spacing, C-Series Farm 39"

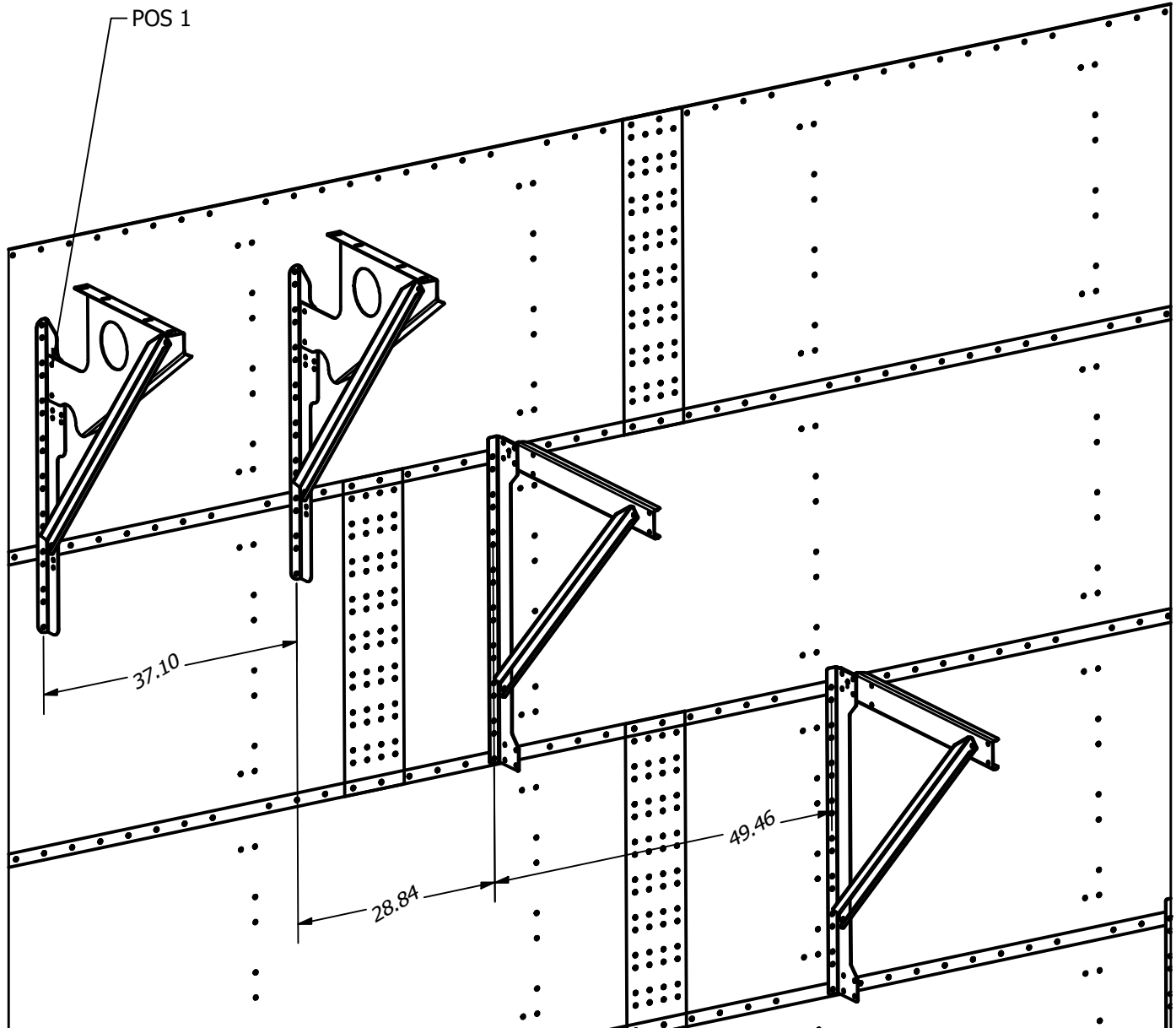
The horizontal spacing between the long eave platform wall brackets is 9 bolt spaces (37.1")

The horizontal spacing from the platform wall bracket to the 4-step stair wall bracket is 7 bolt spaces (28.84")

The remaining stair brackets are 12 bolt spaces apart (49.46")

The top platform supports should be in position 1 to set correct height.

Top Bin Sheet

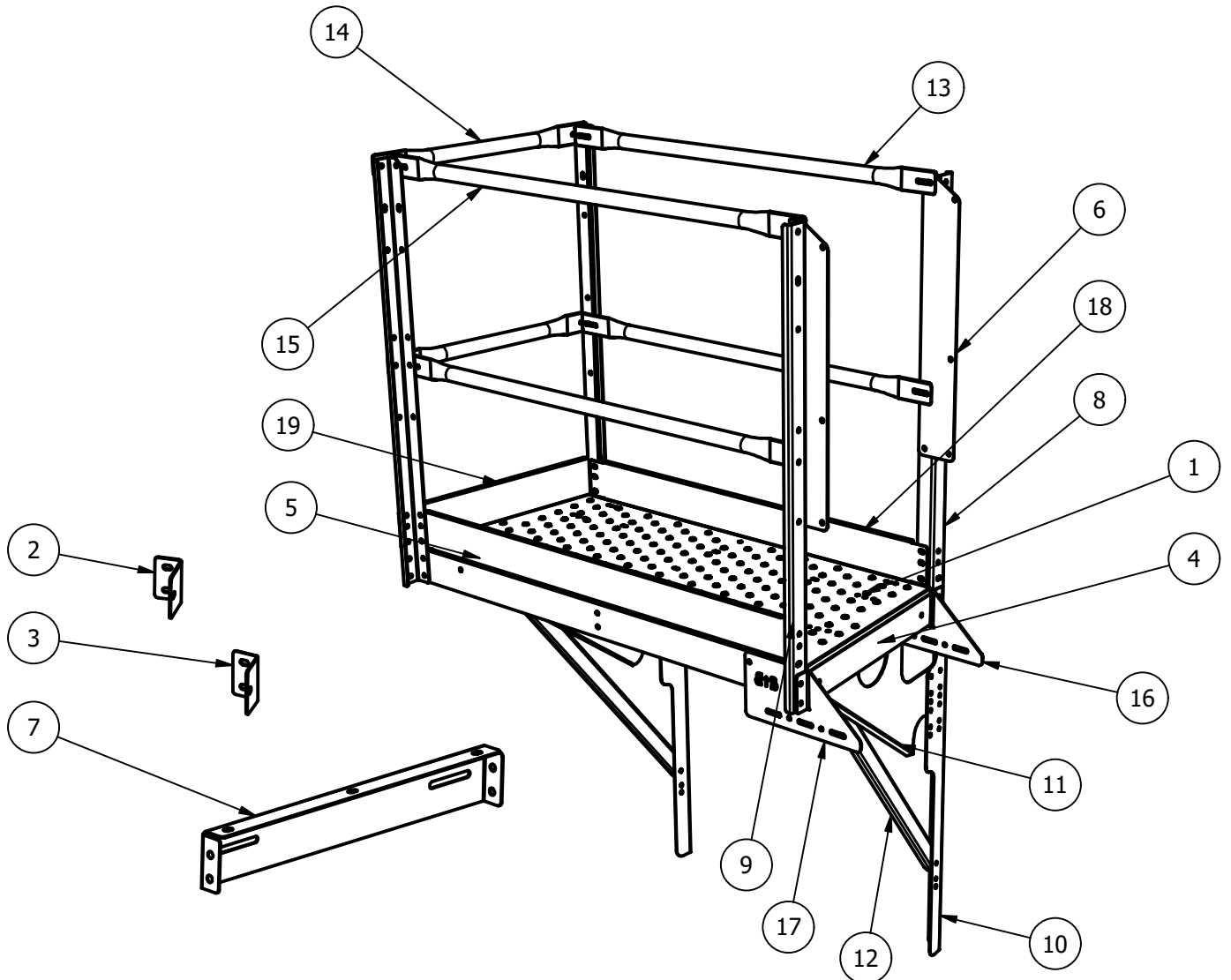




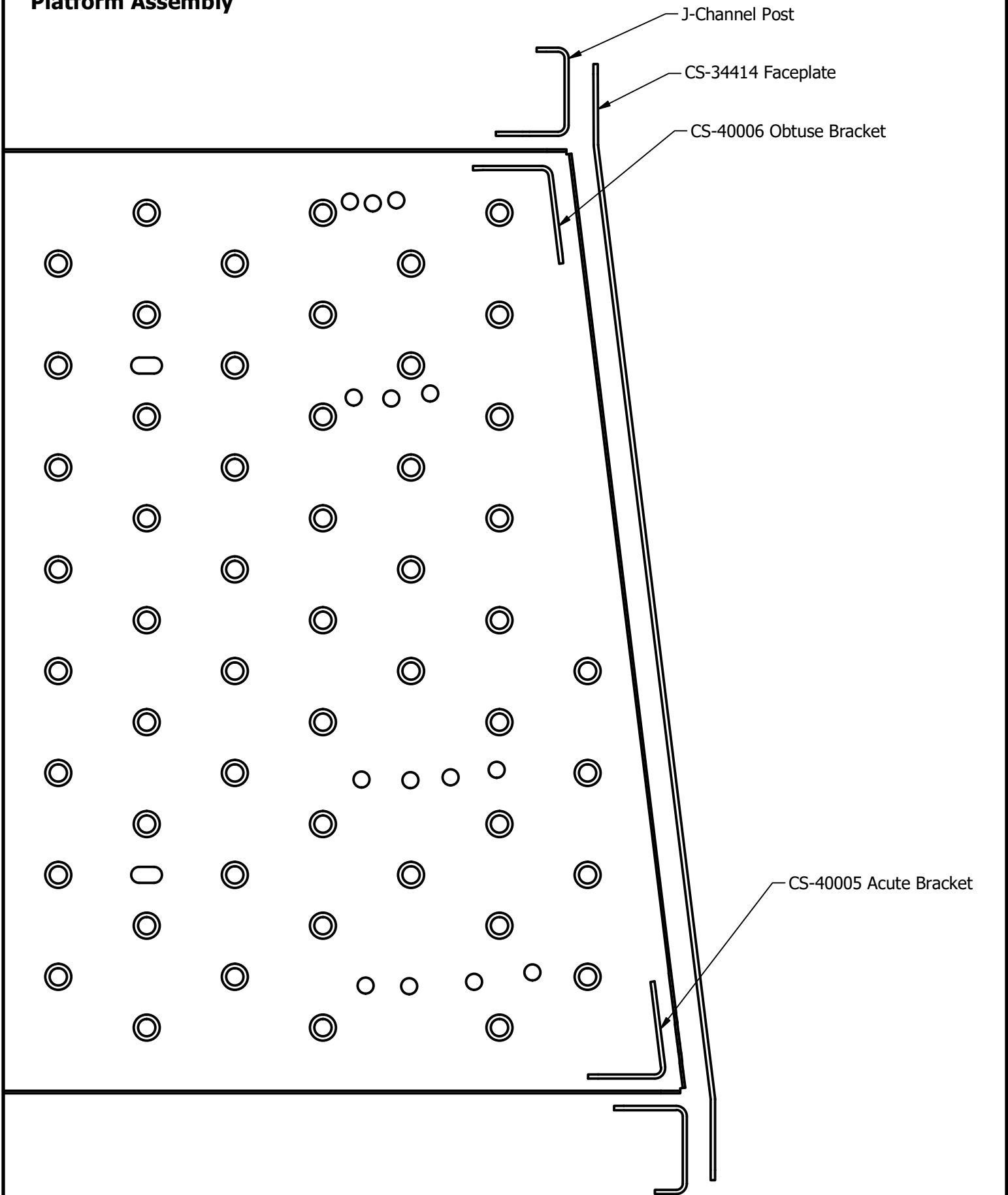
**CC3539L Parts List,  
C-Series Farm 39"  
Long Stair Platform**

Roof Stair Platform

PARTS LIST			
ITEM	QTY	PART NUMBER	DESCRIPTION
1	1	CS-F30001	Tread, Platform, Trapezoid 55x24
2	2	CS-40005	Bracket, Brace, Angle, Acute
3	2	CS-40006	Bracket, Brace, Angle, Obtuse
4	2	CS-34414	Bracket, Faceplate
5	1	CS-34406	Channel, Kickboard, Outside Long
6	2	CS-30010	Bracket, Plate, Handrail
7	1	CS-3009	Bracket, Support, Platform
8	2	CS-34500	Angle, Post, J-channel, Right
9	2	CS-34501	Angle, Post, J-channel, Left
10	2	CS-33901	Bracket, Wall, 39.37 Platform
11	2	CS-34402	Brace, Plate, Platform
12	2	CS-32002	Channel, K-Brace, C-Series
13	2	TRS1504800	48 Long 1.5 in tube railing slotted end tabs
14	2	TRS1502800	28 Long 1.5 in tube railing slotted end tabs
15	2	TRS1505400	54" long 1.5 in tube railing slotted end tabs
16	1	CS-39410	Lower Stringer Extension 39
17	1	CS-39411	Lower Stringer Extension 39
18	1	CS-34407	Channel, Kickboard, Inside, Long
19	1	CS-34408	Channel, Kickboard, End

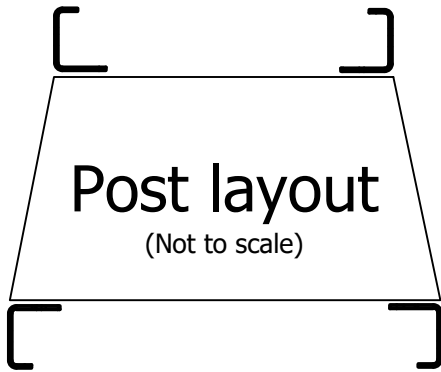


**C-Series Farm  
Platform Assembly**

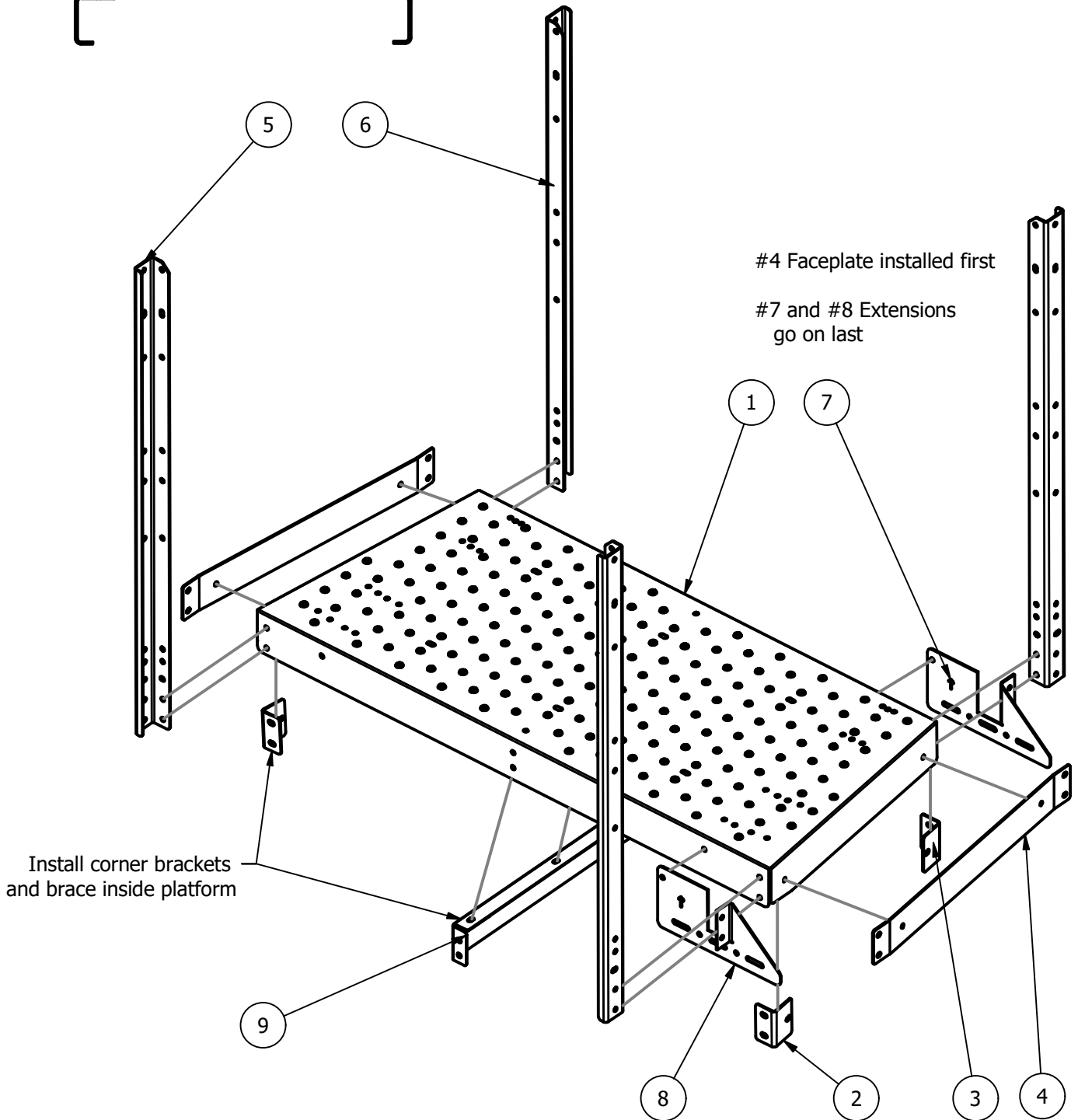


# C-Series Farm Platform Assembly

## Posts & Brackets



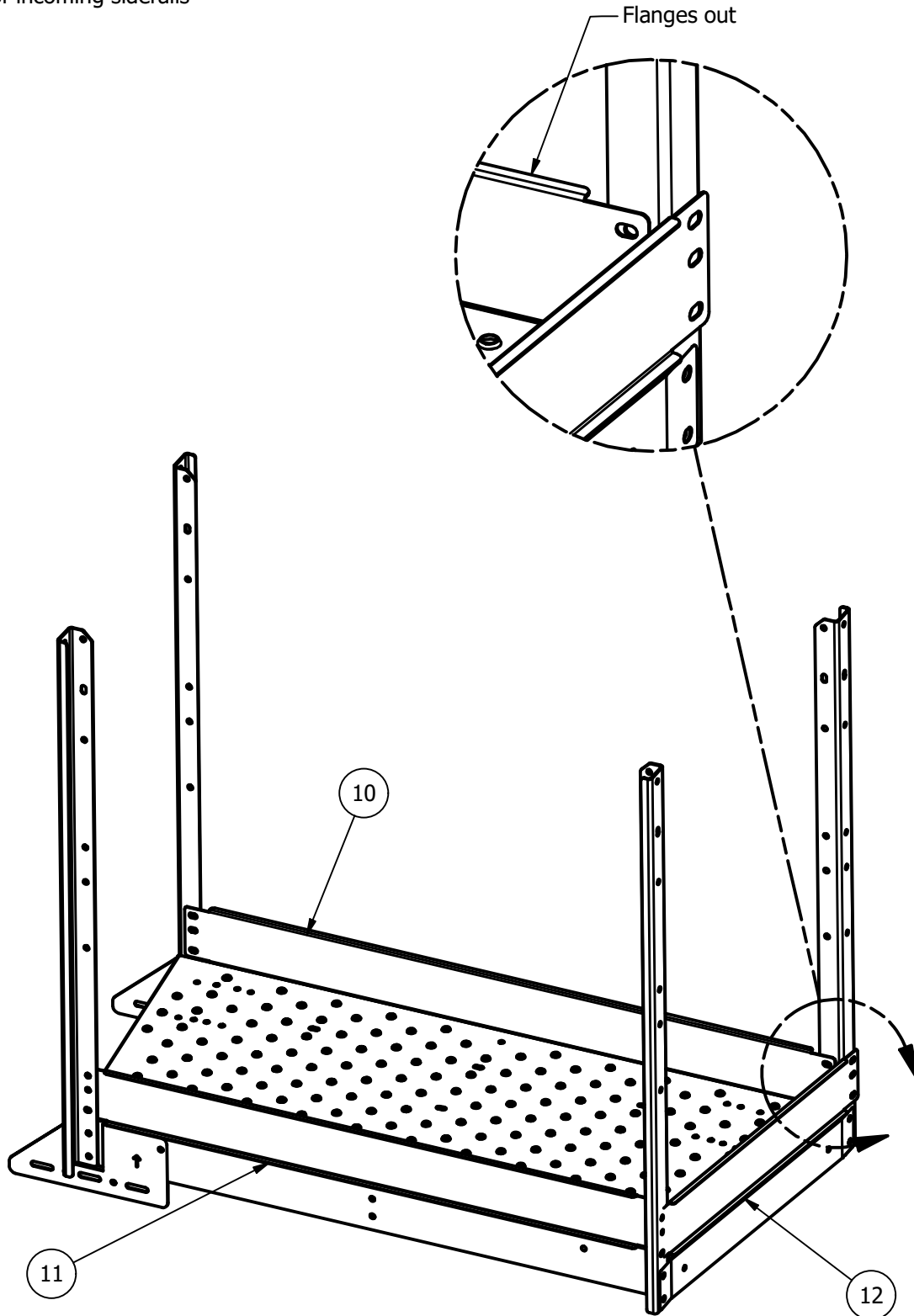
PARTS LIST			
ITEM	QTY	PART NUMBER	DESCRIPTION
1	1	CS-F30001	Tread, Platform, Trapezoid 55x24
2	2	CS-40005	Bracket, Brace, Angle, Acute
3	2	CS-40006	Bracket, Brace, Angle, Obtuse
4	2	CS-34414	Bracket, Faceplate
5	2	CS-34500	Angle, Post, J-channel, Right
6	2	CS-34501	Angle, Post, J-channel, Left
7	1	CS-39410	Lower Stringer Extension, Right
8	1	CS-39411	Lower Stringer Extension, Left
9	1	CS-3009	Bracket, Support, Platform



**C-Series Farm  
Platform Assembly  
Kickboards**

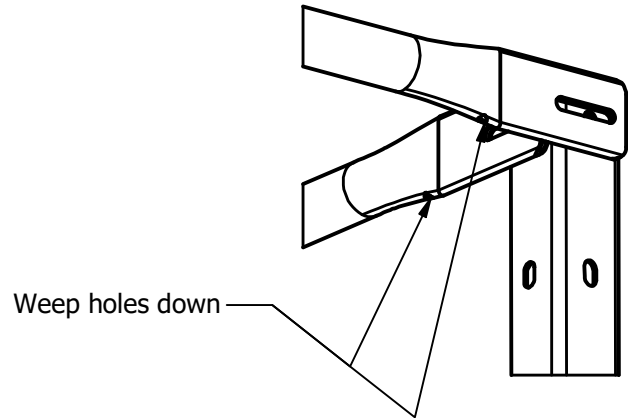
PARTS LIST			
ITEM	QTY	PART NUMBER	DESCRIPTION
10	1	CS-34406	Channel, Kickboard, Outside Long
11	1	CS-34407	Channel, Kickboard, Inside, Long
12	1	CS-34408	Channel, Kickboard, End

Note:  
On manhole platform and rest landings, there is no end kickboard  
Additionally, the top bolts should be left out of the side kickboards  
to allow clearance of incoming siderails



**C-Series Farm  
Platform Assembly  
Railing**

PARTS LIST			
ITEM	QTY	PART NUMBER	DESCRIPTION
13	2	CS-30010	Bracket, Plate, Handrail
14	2	TRS1505400	54" long 1.5 in tube railing slotted end tabs
15	2	TRS1502800	28 Long 1.5 in tube railing slotted end tabs

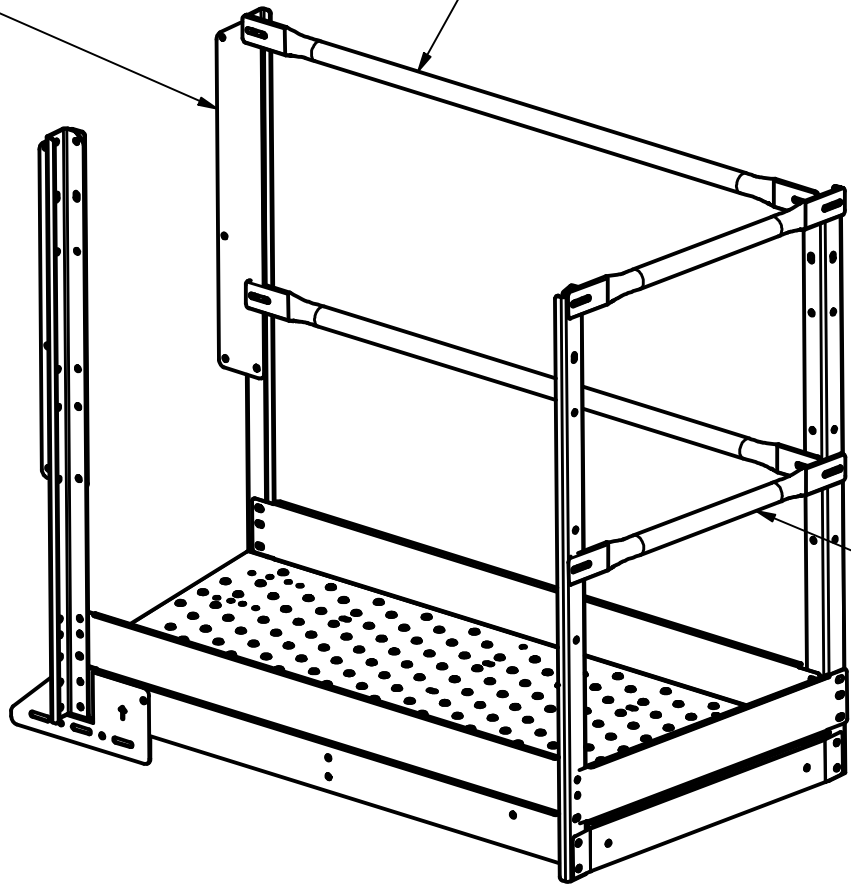


Handrail plate between post and platform rail

13

14

15

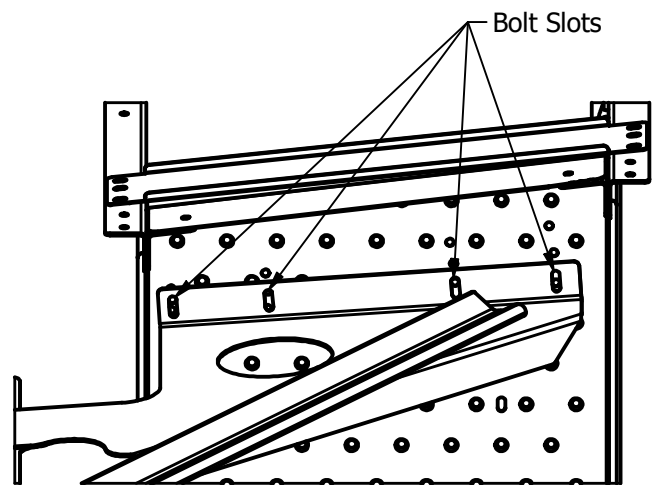
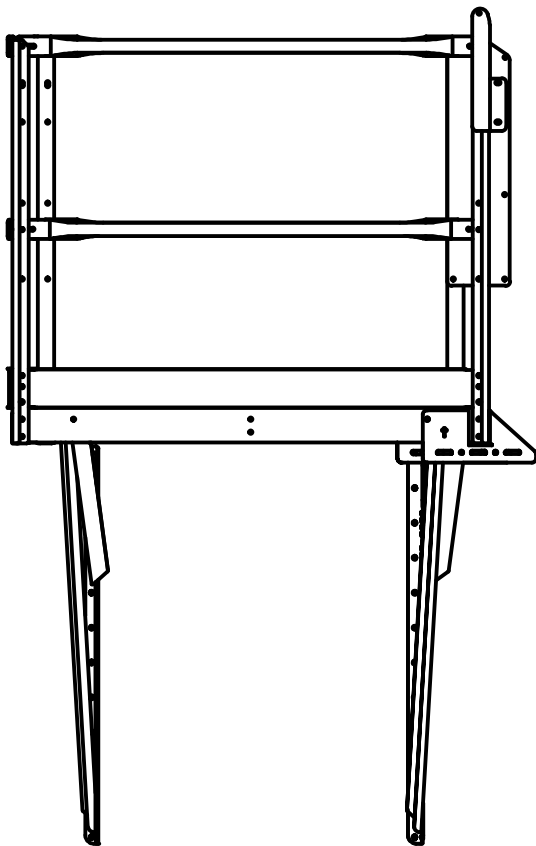
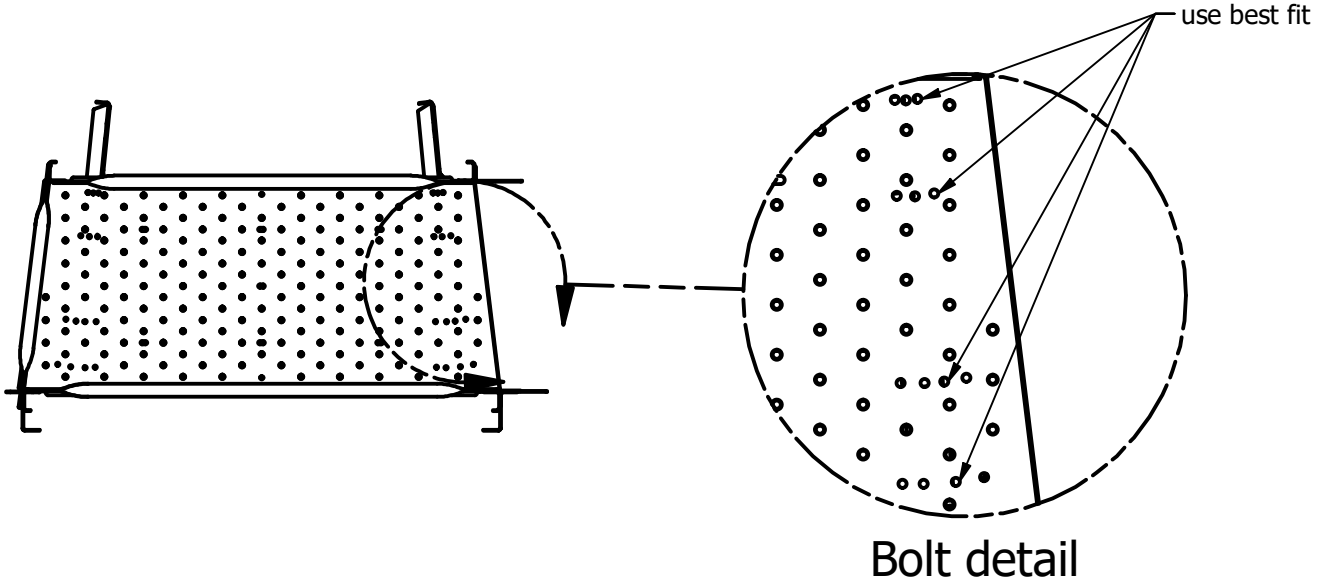


## C-Series Farm Platform Assembly

Center the platform assembly on top of the A-frame wall mounts.

Use 4 bolts to attach each wall mount plate to the platform.

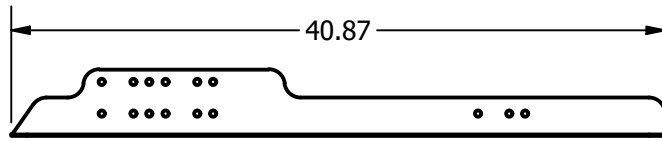
Use the bolt holes in the platform that best align with the A-frame mounts, this will vary according to the bin diameter.



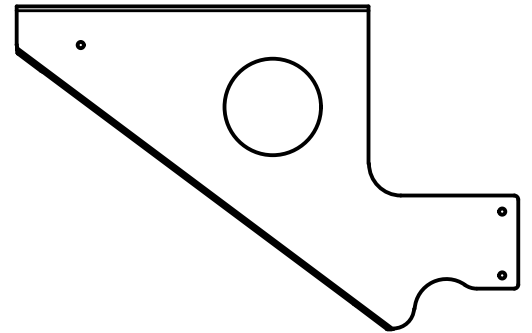
Underside View of  
Platform Attachment

# CF3539L Roof Stair Platform

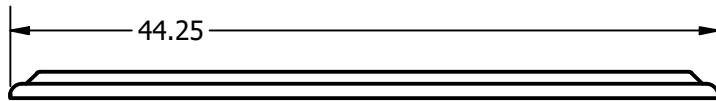
## Parts ID



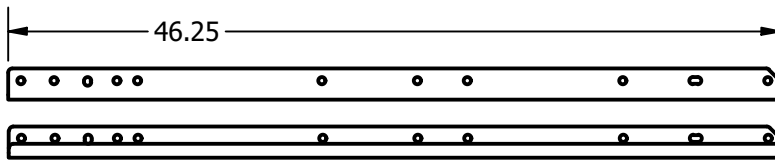
CS-33901



CS-34402



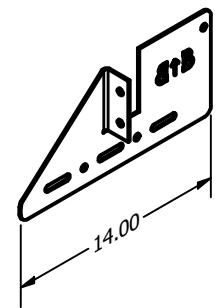
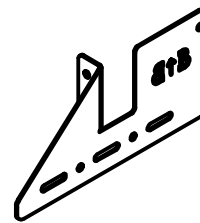
CS-32002



CS-34500 (Right), CS-34501 (Left)

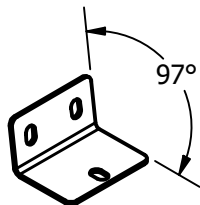
CS-39411

CS-39410

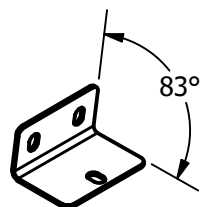


### Note

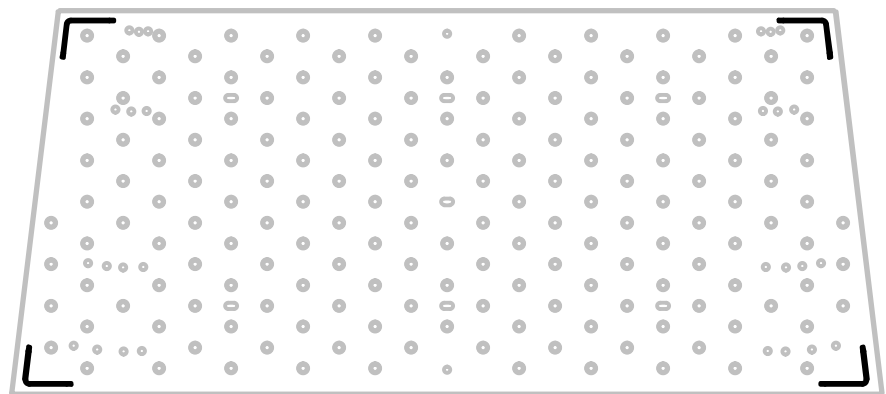
The CS-40005 and CS-40006 angle brackets must be installed on the inside of the CS-F30001 platform tread.



CS-40006

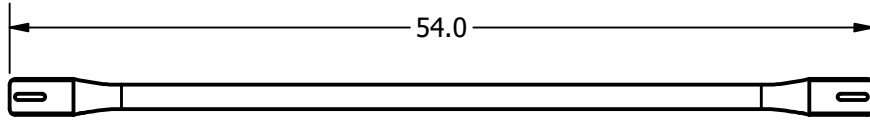


CS-40005

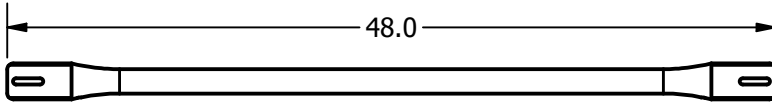


CS-F30001

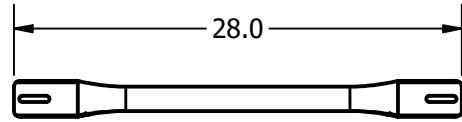
**CF3539L Roof Stair Platform**  
**Parts ID**



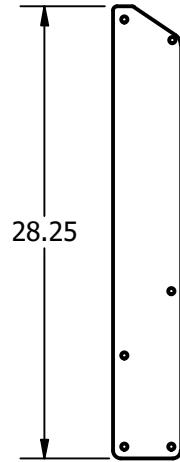
TR1505400



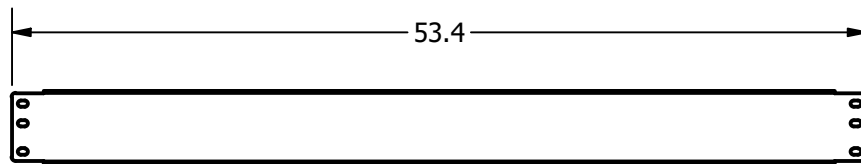
TR1504800



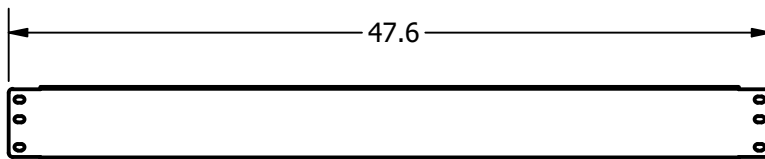
TR1502800



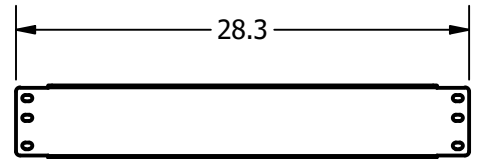
CS-30010



CS-34406

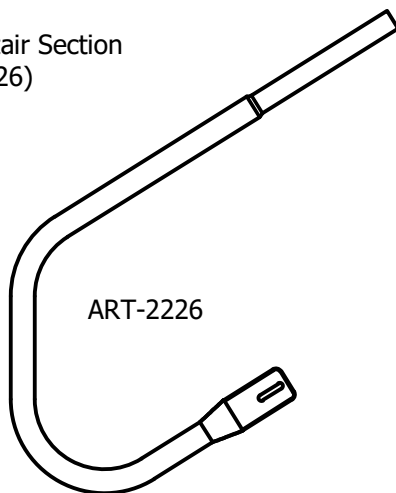


CS-34407

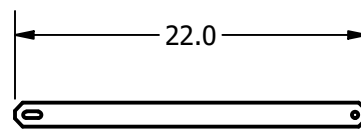


CS-34408

Used on Bottom Stair Section  
(see page 26)



ART-2226



AS-40004



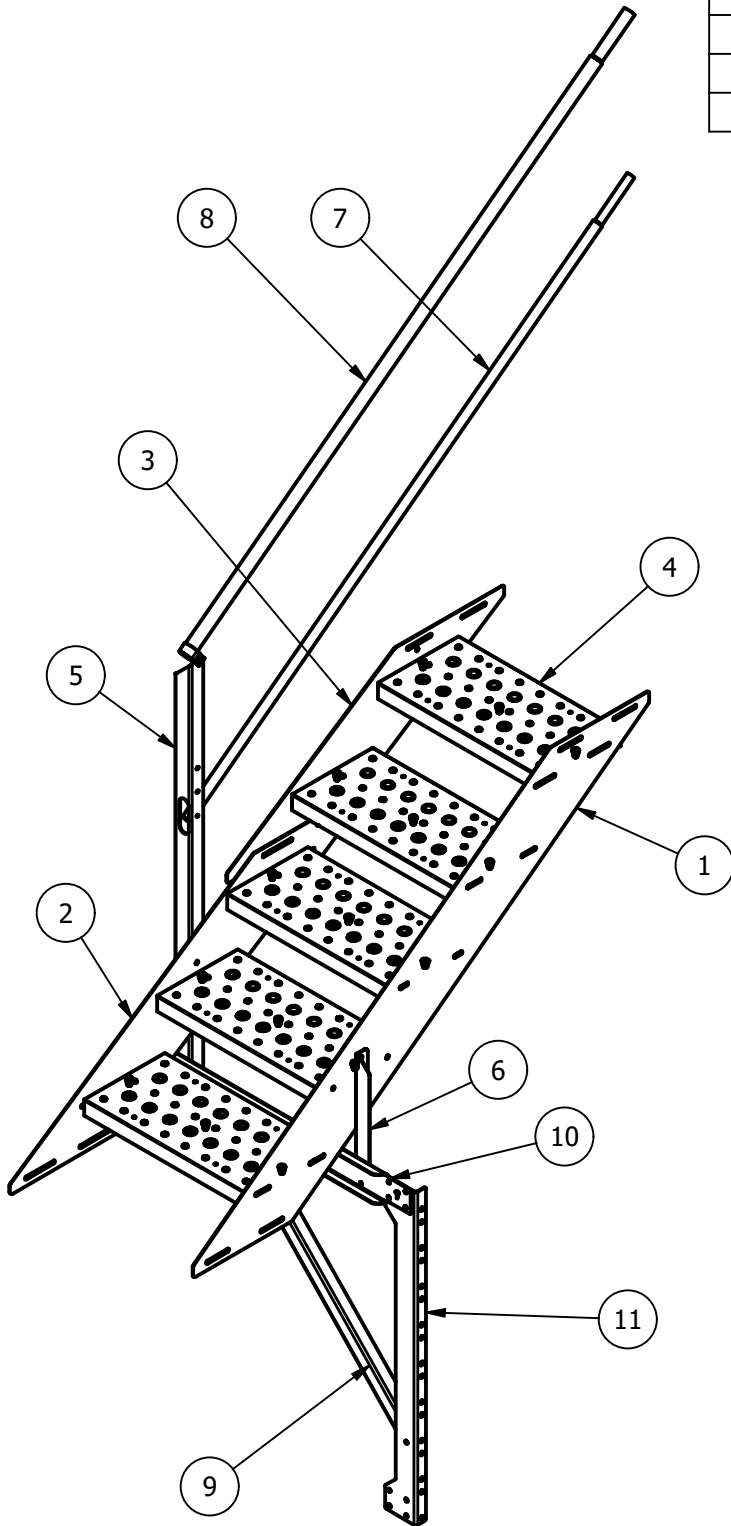
**Parts List, CF3900  
C-Series Farm 39"  
5 Step Stair Section**

This is the standard section used after the 4-step section (page 23).

It has 5 steps over a total rise of 39.37" for a step rise of 7.874"

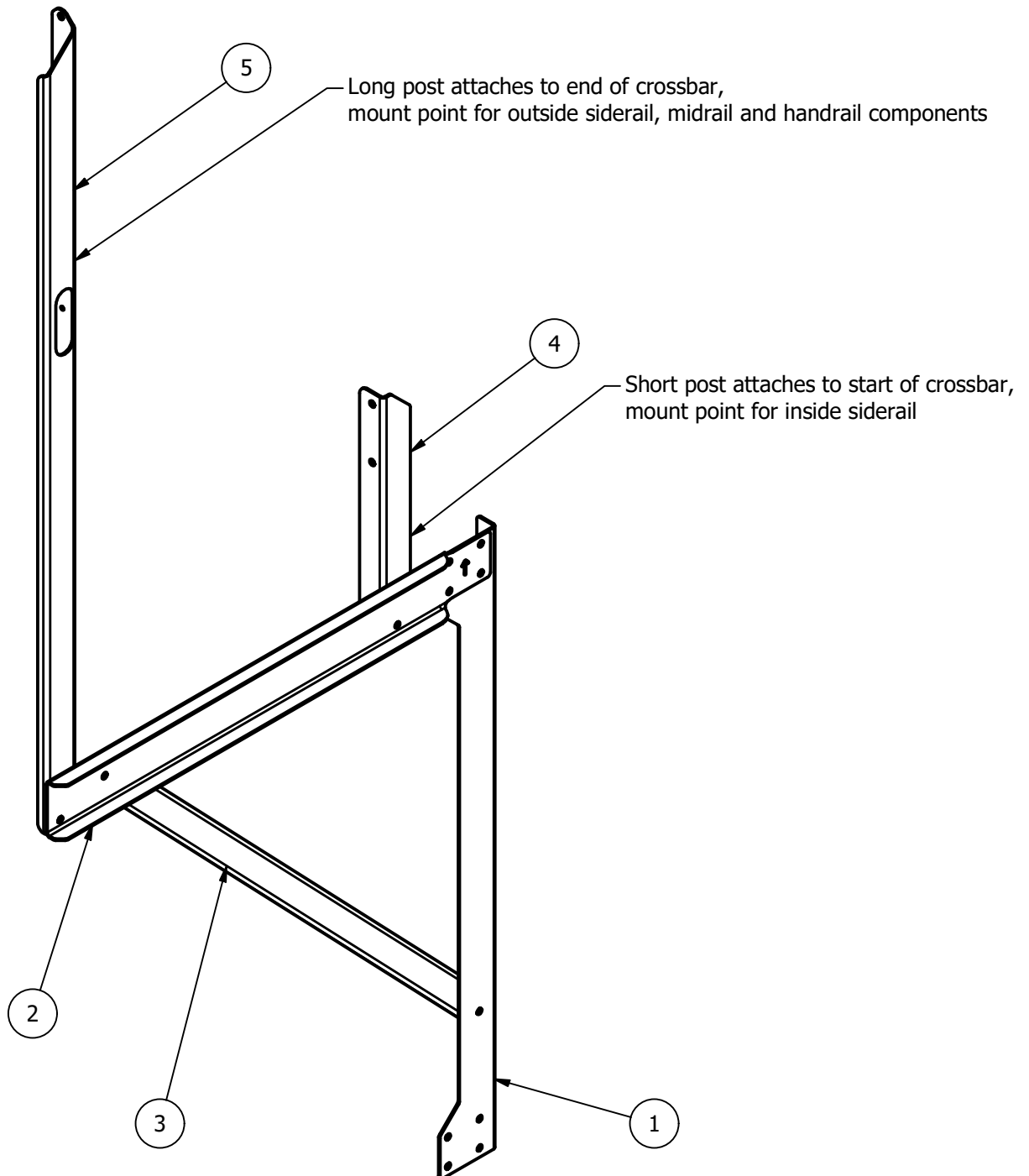
**PARTS LIST**

ITEM	QTY	PART NUMBER	DESCRIPTION
1	1	CS-39045	39 Stringer, Inside, 5 Step
2	1	CS-39048	39 Stringer, Outside, 3 Step
3	1	CS-39047	39 Stringer, Outside, 2 Step
4	5	CS-41224	Tread Step 24x12
5	1	CS-F40011	Post, Stair Rail, Outside
6	1	CS-F40001	Post, Stair, Inside
7	1	TR1008206	82" 1 in dia tubing, 6 in swage
8	1	TR1508206	82" 1.5 in tubing, 6 in swage
9	1	CS-32002	Channel, K-Brace, C-Series
10	1	CS-40002	Channel, Crossbar
11	1	CS-39001	Bracket, Wall, 39.37" Stair



## Attaching the Posts to the A-Frame

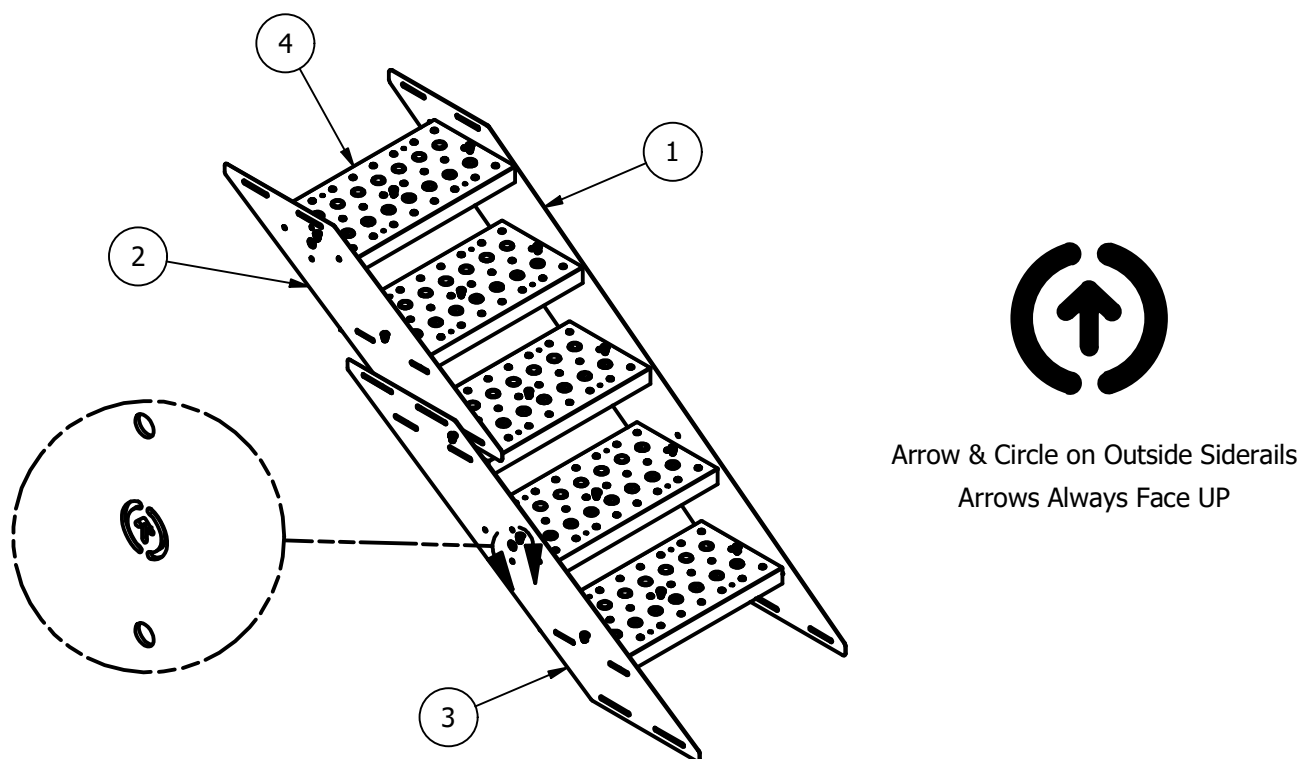
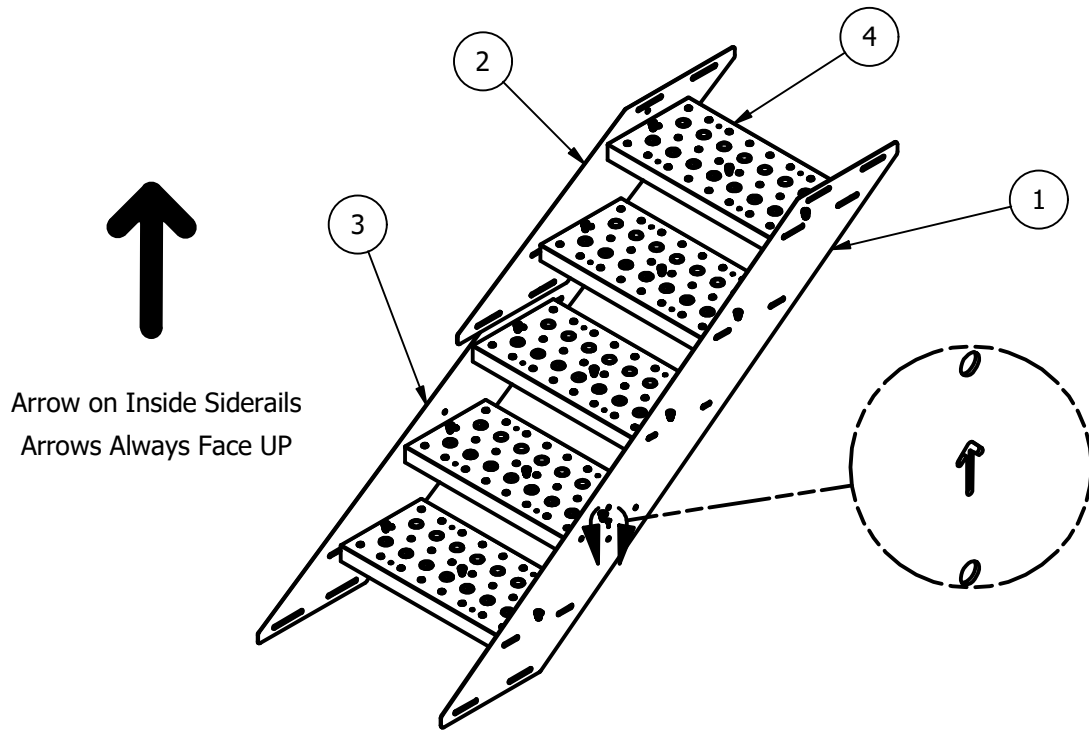
PARTS LIST			
ITEM	QTY	PART NUMBER	DESCRIPTION
1	1	CS-39001	Bracket, Wall, 39.37" Stair
2	1	CS-40002	Channel, Crossbar
3	1	CS-32002	Channel, K-Brace, C-Series
4	1	CS-F40001	Post, Stair, Inside
5	1	CS-F40011	Post, Stair Rail, Outside



# CF3900 C-Series Farm 39" 5 Step Stair Section

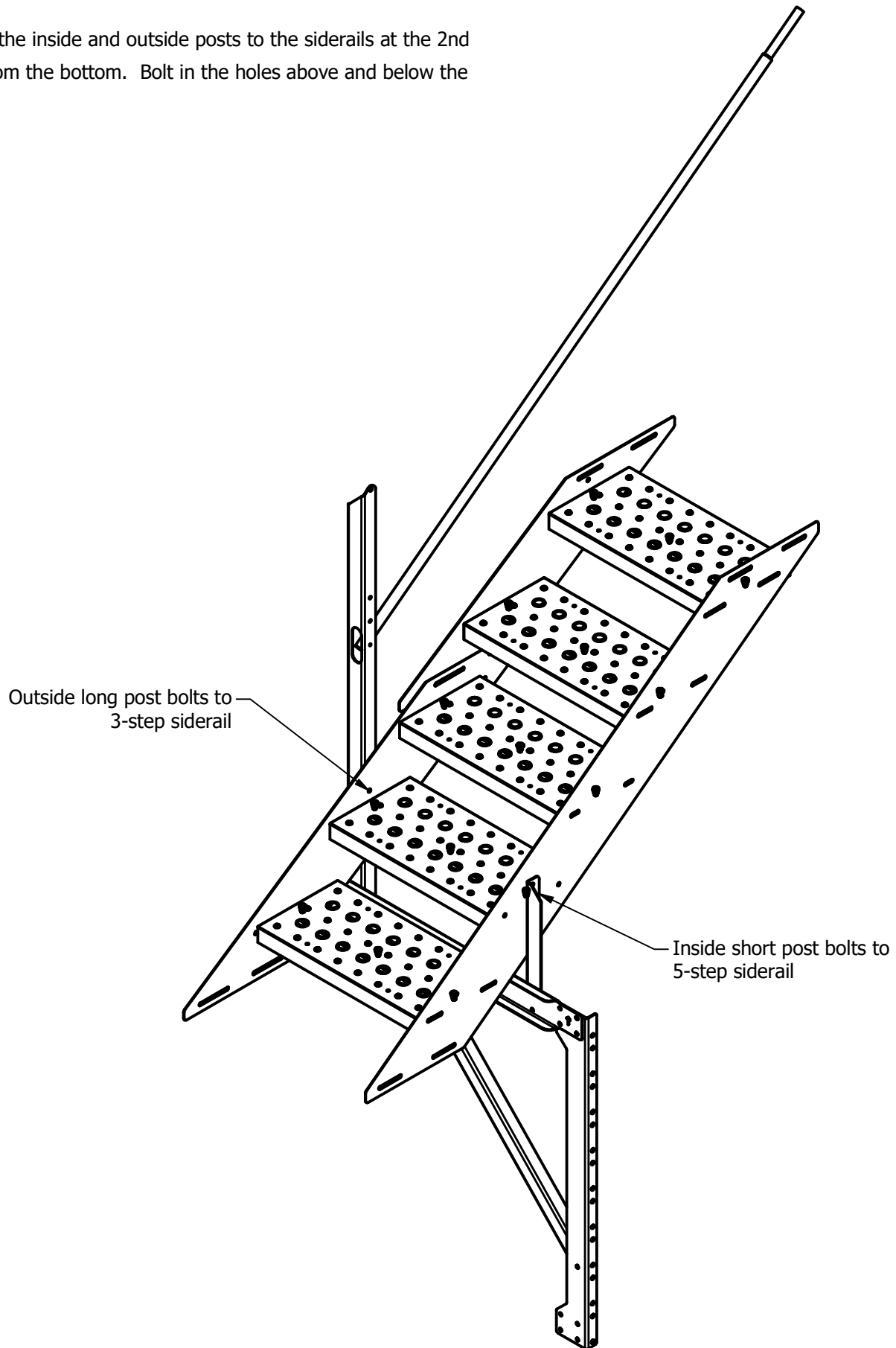
On the CF3900 stair section,  
the inside siderail is a one piece 5-step,  
the outside siderail is a two piece, 3-step and 2-step.

PARTS LIST			
ITEM	QTY	PART NUMBER	DESCRIPTION
1	1	CS-39045	39 Stringer, Inside, 5 Step
2	1	CS-39047	39 Stringer, Outside, 2 Step
3	1	CS-39048	39 Stringer, Outside, 3 Step
4	5	CS-41224	Tread Step 24x12



## Attaching the Stair Section to the A-Frame Assembly

Attach the inside and outside posts to the siderails at the 2nd step from the bottom. Bolt in the holes above and below the step.

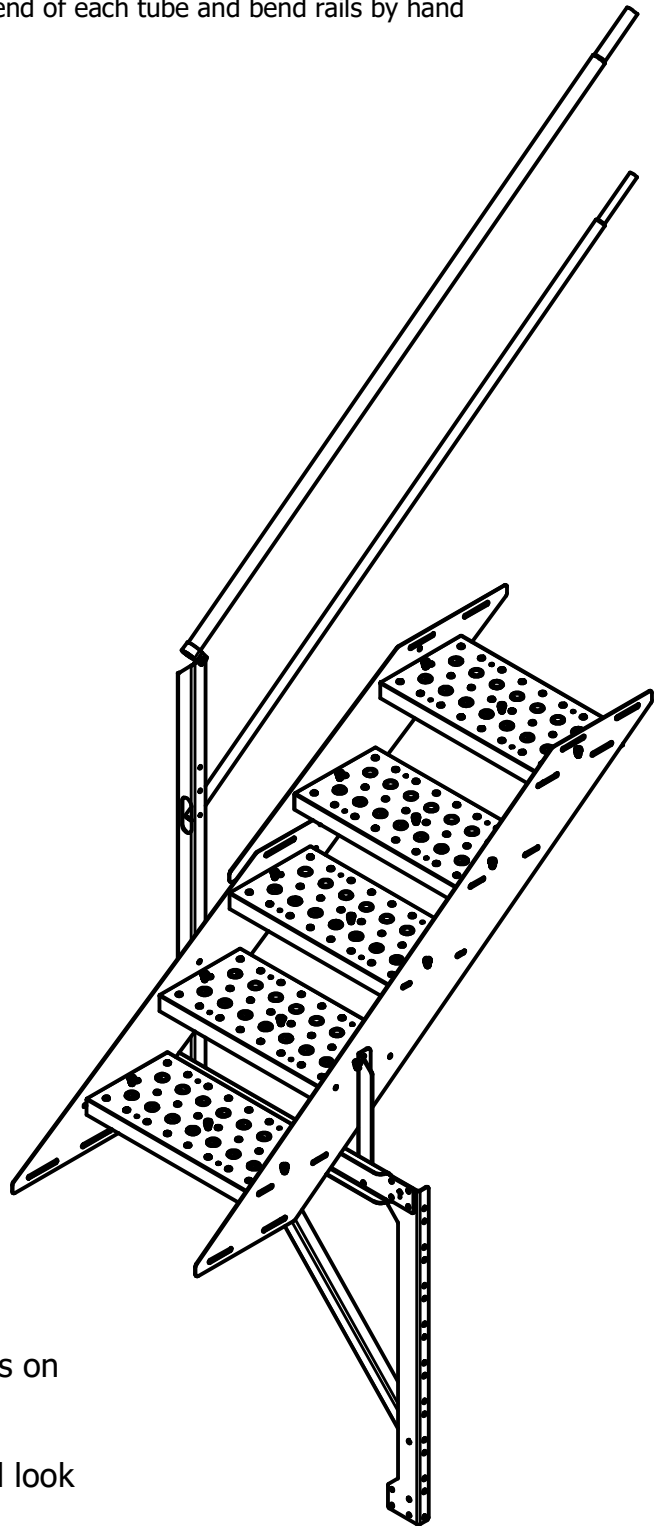



## Installing Handrails

It is recommended to use a Tube Roller Former as shown in the picture; Form outside rails with slightly less bend than the bin wall curvature.

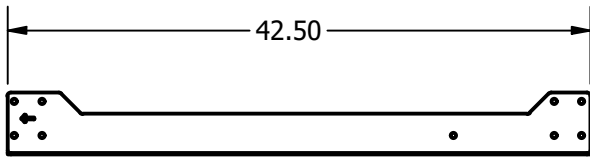
Alternatively, use an assembled stair section to brace one end of each tube and bend rails by hand

The swaged ends of the rails should point up the stairs.

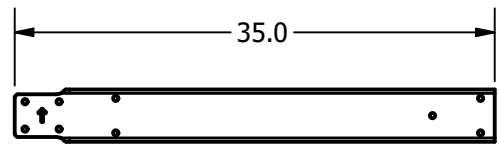


For more information and instructional videos on handrail installation and using a tube roller, go to our website at [greenestairs.com](http://greenestairs.com) and look for the  YouTube channel link.

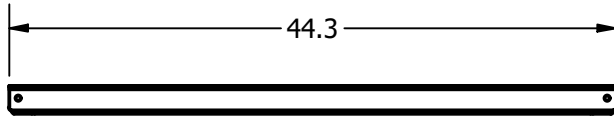
# CF3900 Parts ID



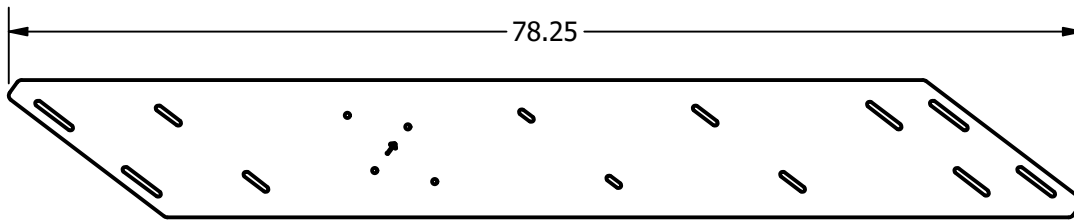
CS-39001



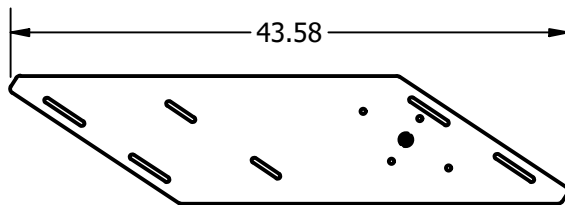
CS-40002



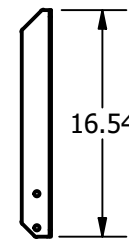
CS-32002



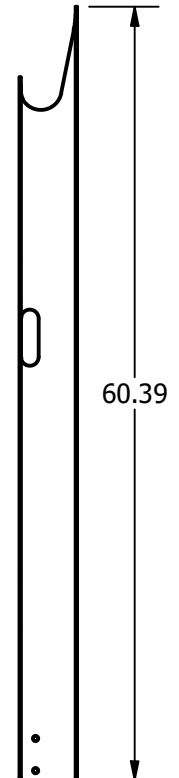
CS-39045



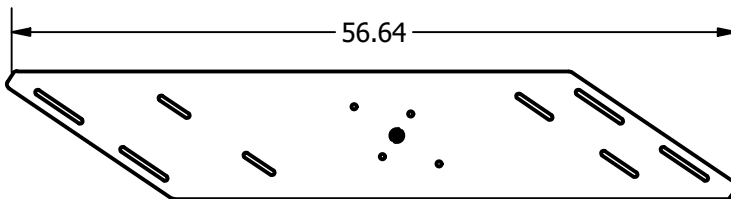
CS-39047



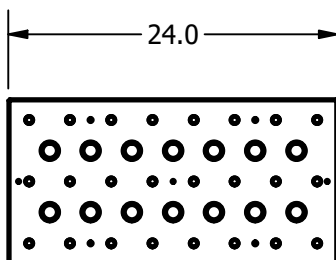
CS-f40001



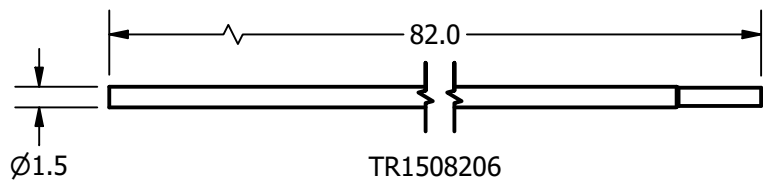
CS-40011



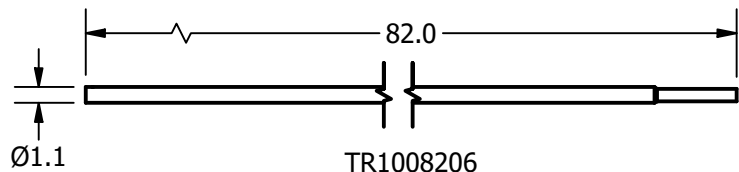
CS-39048



CS41224



TR1508206



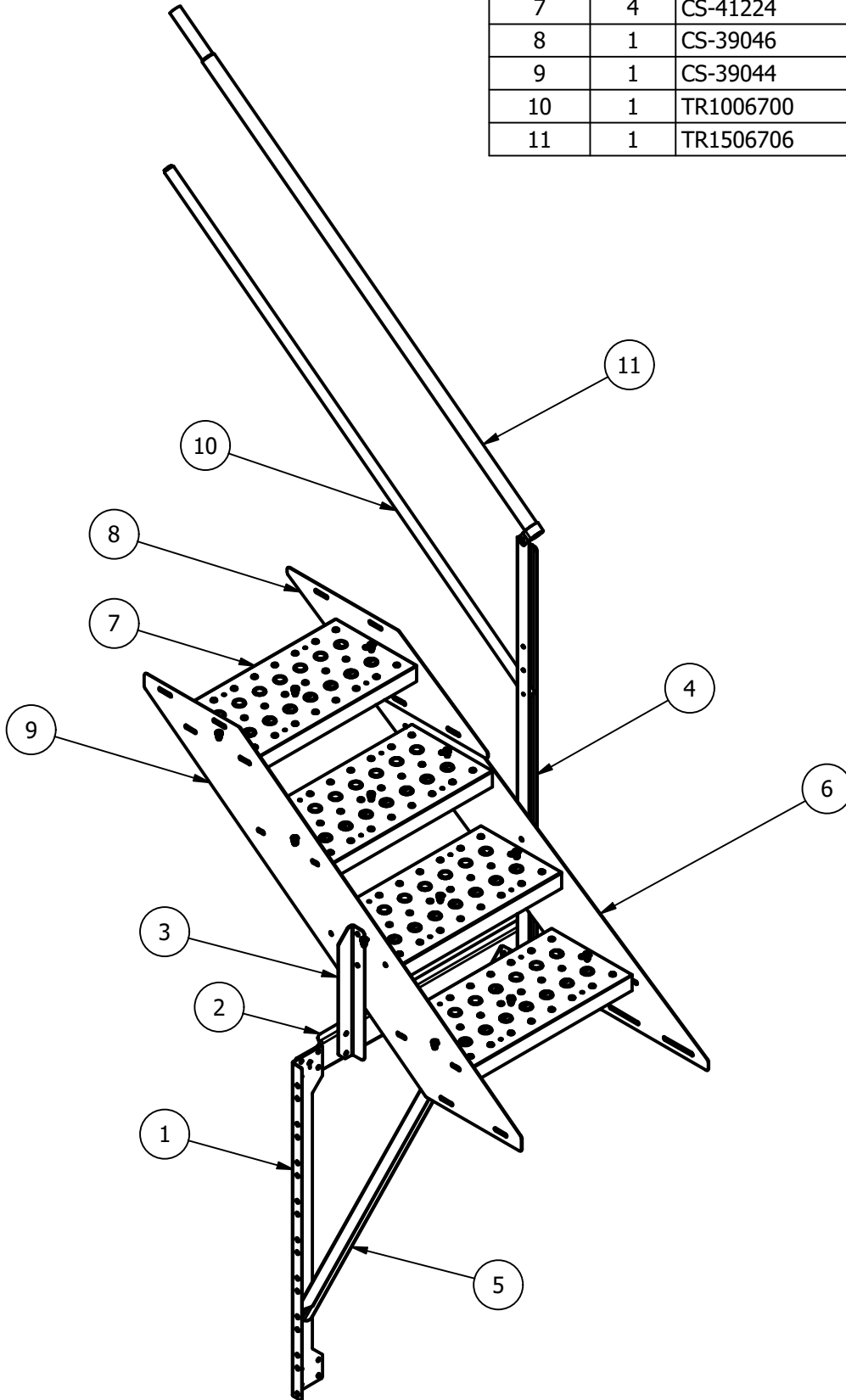
TR1008206

**Parts List, CF3904**  
**C-Series Farm 39"**  
**4 Step Stair Section**

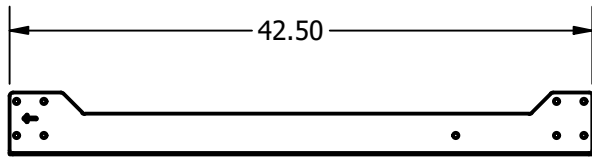
This 4-step section is used below the top platform

**PARTS LIST**

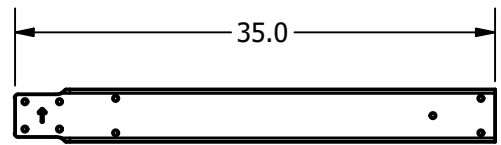
ITEM	QTY	PART NUMBER	DESCRIPTION
1	1	CS-39001	Bracket, Wall, 39.37" Stair
2	1	CS-40002	Channel, Crossbar
3	1	CS-F40001	Post, Stair, Inside
4	1	CS-F40011	Post, Stair Rail, Outside
5	1	CS-32002	Channel, K-Brace, C-Series
6	1	CS-39048	39 Stringer, Outside, 3 Step
7	4	CS-41224	Tread Step 24x12
8	1	CS-39046	39 Stringer, Outside, 1 Step
9	1	CS-39044	39 Stringer, Inside, 4 Step
10	1	TR1006700	67 in 1 in dia tubing No Swage
11	1	TR1506706	67 in x1.5 in Railing 6 in Swage



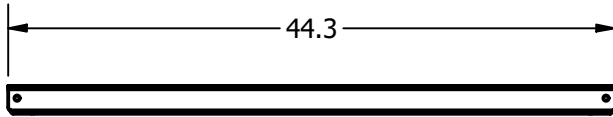
# CF3904 Parts ID



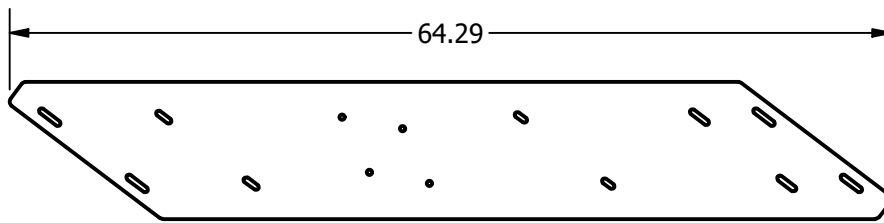
CS-39001



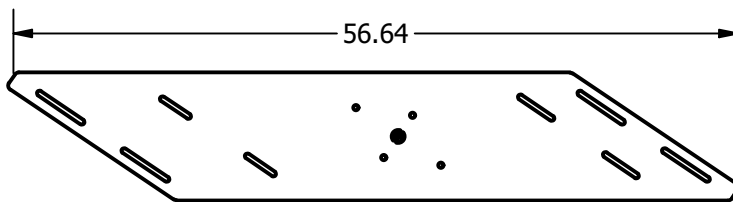
CS-40002



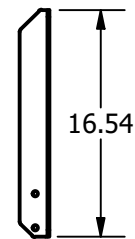
CS-32002



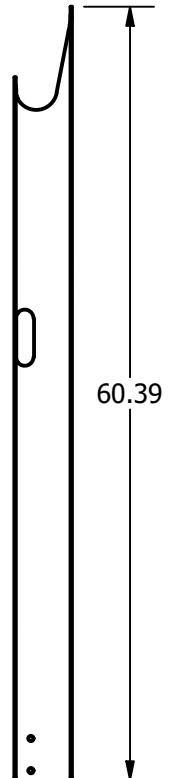
CS-39044



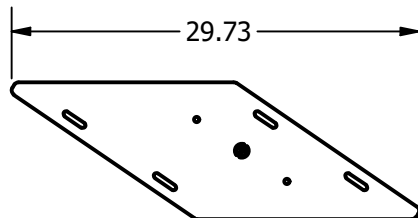
CS-39048



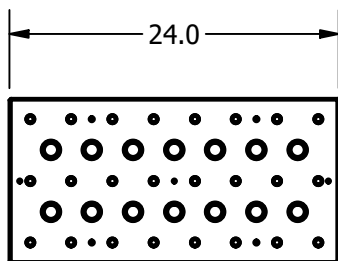
CS-f40001



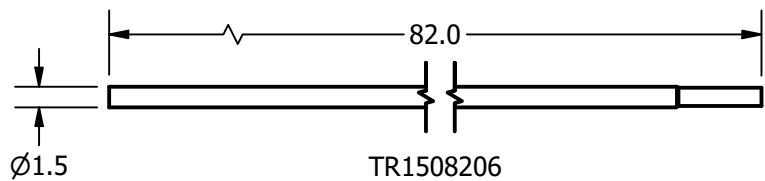
CS-40011



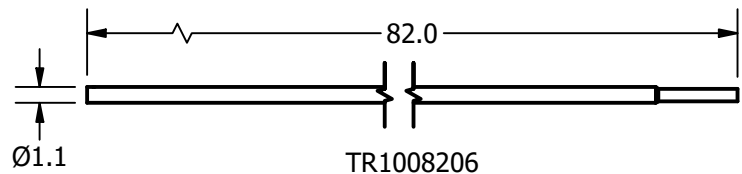
CS-39046



CS41224



TR1508206



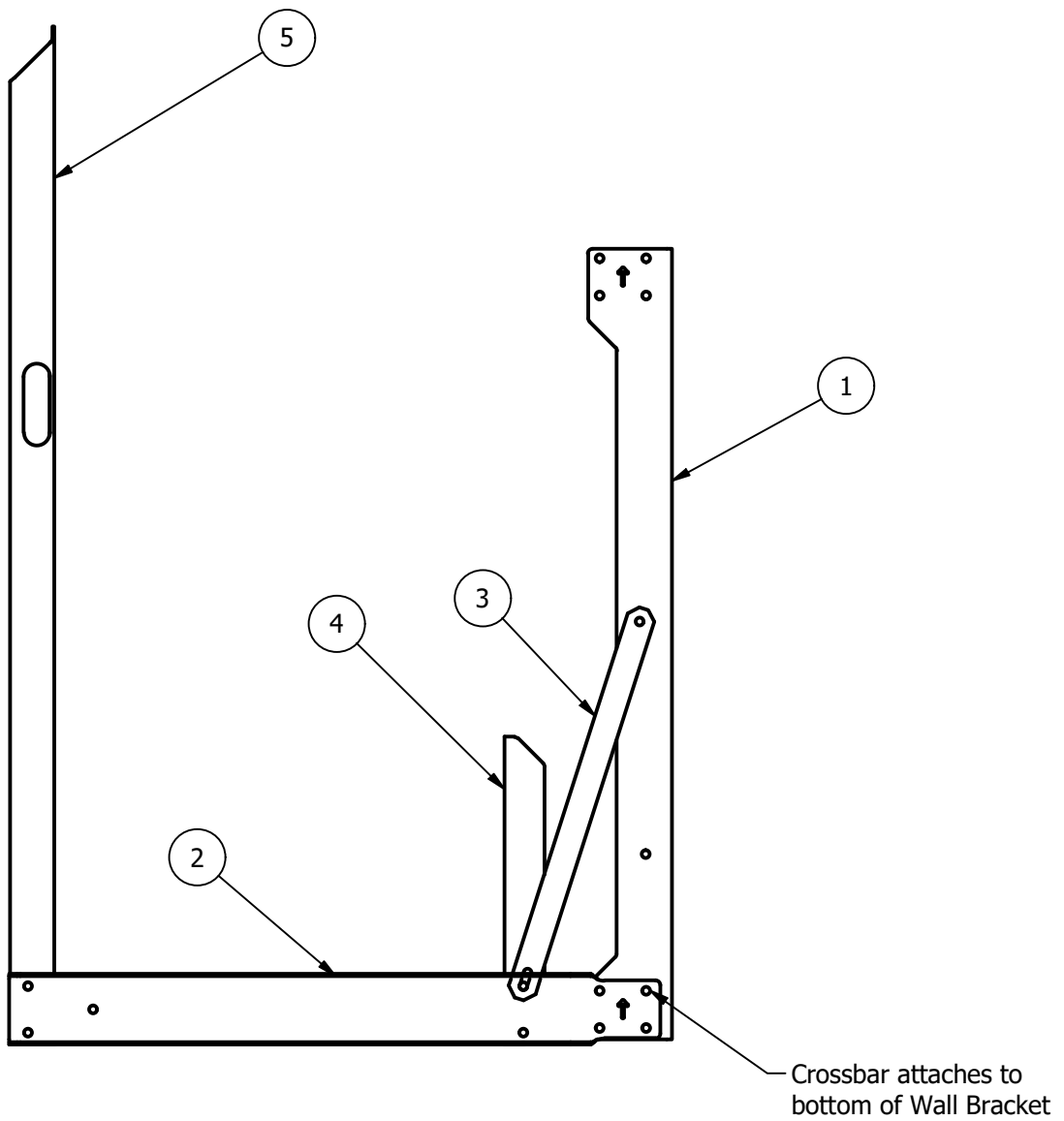
TR1008206



**Bottom Section  
A-frame & Posts**

**PARTS LIST**

ITEM	QTY	PART NUMBER	DESCRIPTION
1	2	CS-39001	Bracket, Wall, 39.37" Stair
2	1	CS-40002	Channel, Crossbar
3	1	AS-40004	Bracket, Tie Brace
4	1	CS-F40001	Post, Stair, Inside
5	1	CS-F40011	Post, Stair Rail, Outside



## Bottom Stair Section Assembly

The AS-40004 tie brace and ART-2226 bottom end rail are included in the top platform package.

Attach the tie brace to the inside post. Field drill and bolt to the wall bracket as shown.

Install the bottom handrail loops at the last outside post. Attach the flattened end to the stair post as shown.

Drill a hole at the lowest point for drainage.

