

Specifications

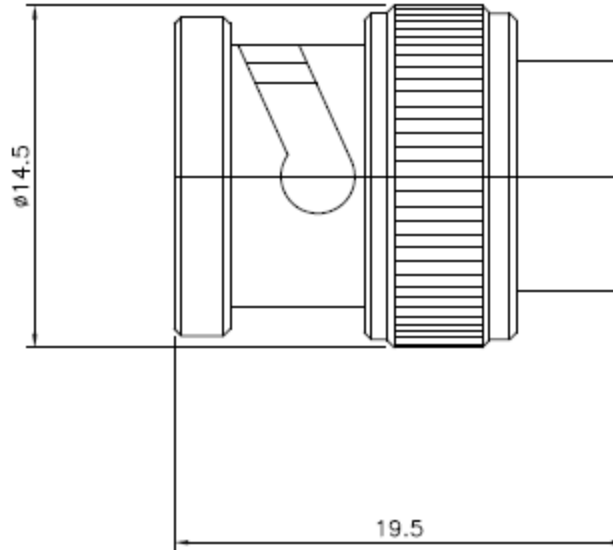
Frequency range: DC-4 GHz

Nominal Impedance: 50 Ohm

Power: 1 watt

VSWR: 1 .20:1 max. @ 4 GHz

RoHS Compliant



Adapter Part

Material

Plating

Coupling Cap

Zinc

Nickel

Body

Brass

Nickel

Center contact

Brass

Gold

Insulator

PTFE

N/A



Premier RF

17 Roslyn CT
Patchogue, NY 11772
PH: 631-447-3804
sales@premier rf.com
www.premier rf.com

Dimensions in mm	PART NUMBER	PRF-TE3M104-BN
11/04/2012	DESCRIPTION	BNC MALE TERMINATION DC-4 GHz, 1 WATT
APPROVED		
C. Smith		