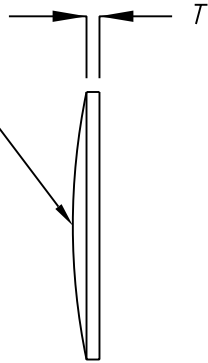
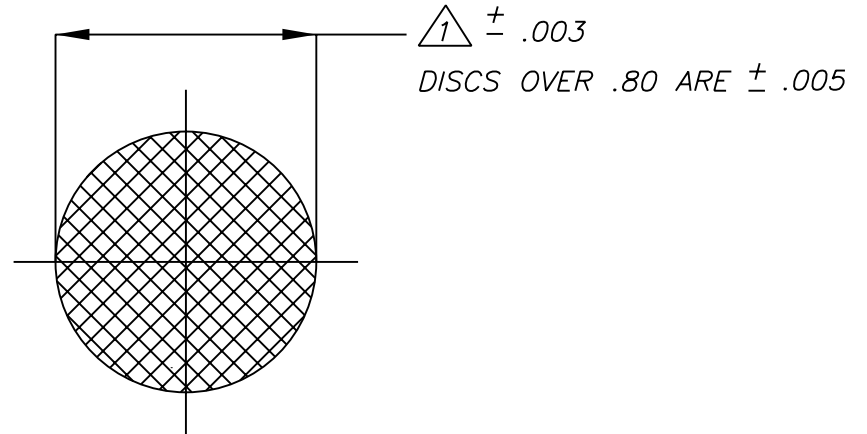


THIS DOCUMENT CONTAINS INFORMATION PROPRIETARY TO GENESIS FILTRATION CORPORATION. ANY REPRODUCTION, DISCLOSURE, OR USE OF THIS DOCUMENT IN WHOLE OR IN PART IS EXPRESSLY PROHIBITED EXCEPT AS GENESIS FILTRATION CORPORATION MAY OTHERWISE AGREE TO IN WRITING.

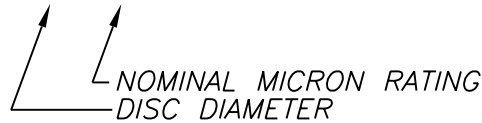
FOR COMPOSITE MATERIALS FILTER MESH ON THIS SIDE



REVISIONS			
LTR	DESCRIPTION	DATE	APPROVED



EXAMPLE PART NUMBER:  
13000-500-10



ADDITIONAL OPTIONS AVAILABLE

$\triangle 1$ CODE	NOMINAL MICRON RATING	ABSOLUTE MICRON RATING	T REF
2	2	10	.004
5	5	20	.006
10	10	25	.006
20	20	40	.006
40	40	75	.010
70	70	105	.010
105	105	150	.010

- $\triangle 1$  FIRST DASH NUMBER SPECIFIES DISC DIAMETER.
- $\triangle 2$  SECOND DASH NUMBER SPECIFIES NOMINAL MICRON RATING
- 3. FILTER MESH: STAINLESS STEEL WOVEN WIRE MESH.

UNLESS OTHERWISE SPECIFIED		DO NOT SCALE THIS DWG. INTERPRET DWG PER IAW DOD-STD-1000 DIMS & TOLS. PER ANSI Y14.5		DFT BY:	Genesis Filtration Inc. 9757 7th STREET, UNIT 804 Rancho Cucamonga, CA 91730					
DIMENSIONS IN INCHES REMOVE ALL BURRS		SURFACE ROUGHNESS PER ANSI B46.1 $\sqrt{\quad}$		DESIGN BY:					TITLE FILTER DISC	
MACHINE RADII .005/.015 R.		MATERIAL 300 SER CRES		APPVD BY:	CUSTOMER NAME		SIZE	FSCM NO.	DWG NO.	REV
BREAK ALL SHARP EDGES .002/.010 R.				CUSTOMER P/N		A	04AX3	13000- $\triangle 1$ - $\triangle 2$		
DECIMALS .XX .XXX	FRAC	ANGLES	FINISH	SCALE		FORME05 12/24/98	WEIGHT	SHEET OF		
±.01	±.005	±1/64	± 1°							