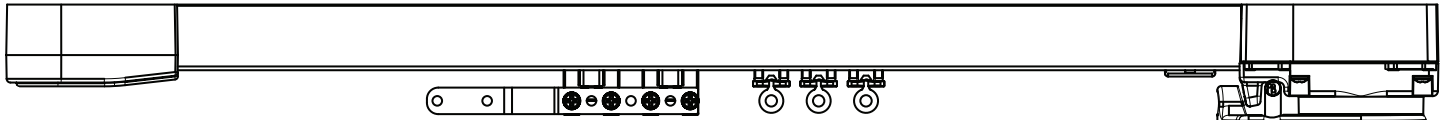


Drapery Track System

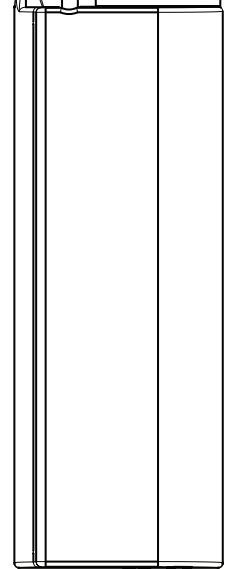
The Lutron drapery track utilizes the ultra-quiet, precision controlled Electronic Drive Unit. It controls the movement of the drape, adjusting it to the user's desired positions.



Right Draw, Right Drive
System Shown

Features

- Smooth, ultra-quiet operation
- Draperies start, move, and stop with precision
- Offers programmable stop points
- Single, dual, curved, single-tandem and dual-tandem tracks available
- Easy-to-read and easy-to-use controls
- Available in right, left, and center draw configurations
- Does not require group controllers or relay systems to create drapery groups and sub-groups
- Can be installed in new construction or retrofit application
- Power failure memory for the lifetime of the product
- Operates up to 175 lb (79.4 kg) draperies
- Manual open feature option available (not available with all drive models; for more information, refer to your ordering tool or contact Lutron Customer Service)
- Track splicing option available with up to two splices per track
- Available in pinch pleat and ripplefold pleat styles
- 8 year limited warranty



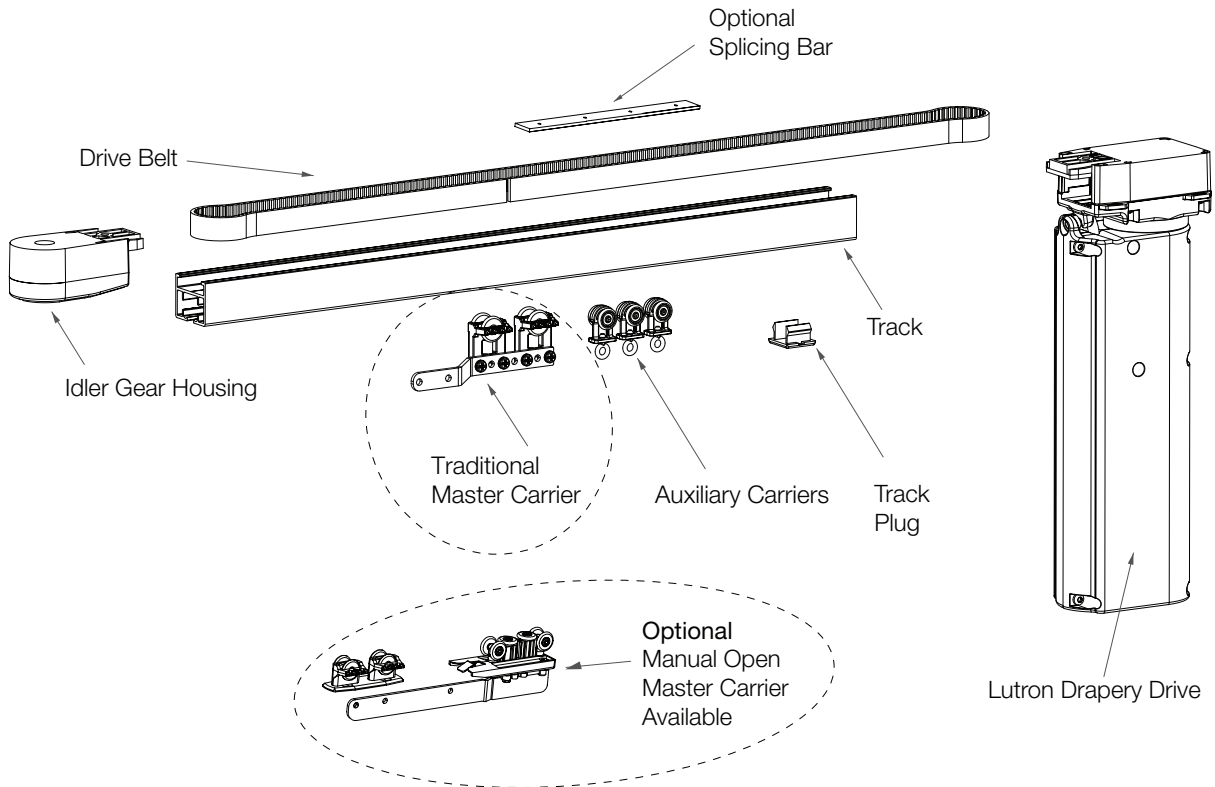
Electronic
Drive Unit

Job Name:

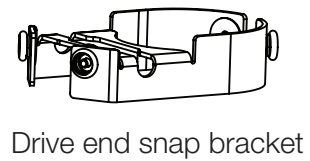
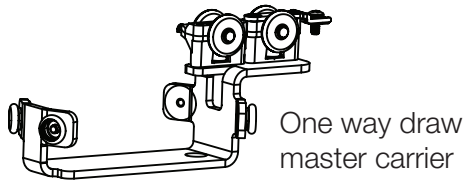
Model Numbers:

Job Number:

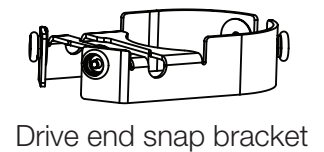
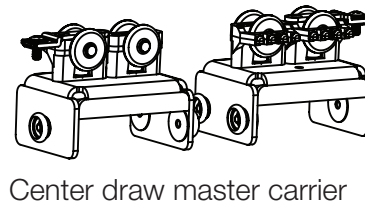
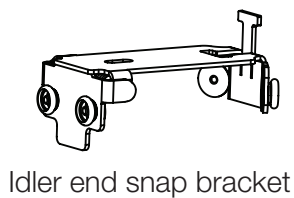
System Components



One Way Draw, Ripplefold Components



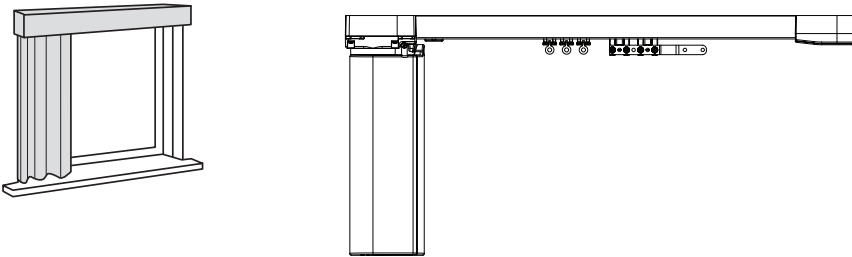
Center Draw Ripplefold Components



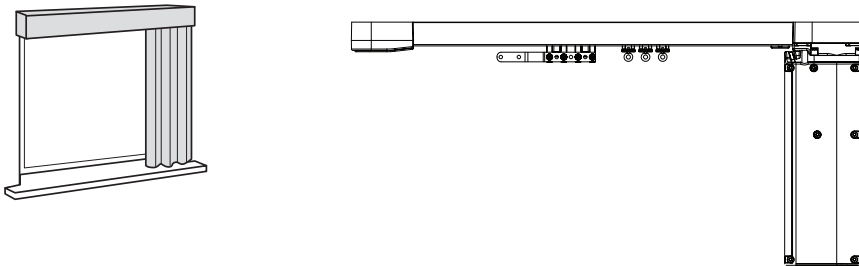
<p>Job Name:</p> <p>Job Number:</p>	<p>Model Numbers:</p>
--	-----------------------

Straight Drapery Track Options (pinch pleat carriers shown)

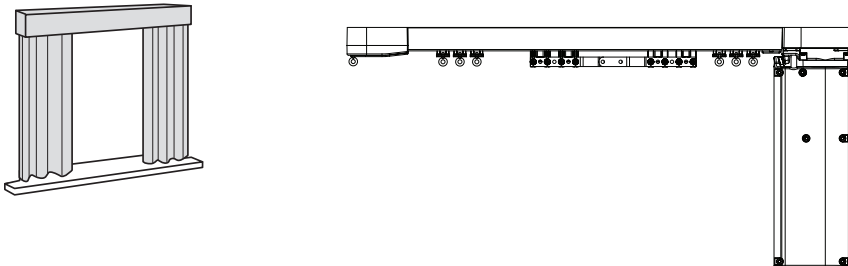
Left draw, left drive



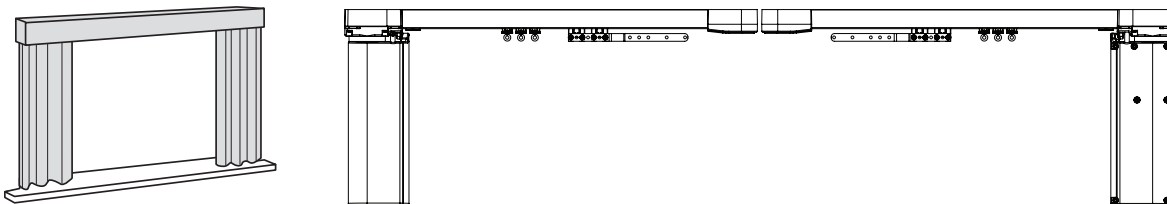
Right draw, right drive



Center-draw, left or right drive (right drive shown)



Tandem draw, left and right drives



NOTE

Valance and drapery fabric panel not included

<p>Job Name:</p> <p>Job Number:</p>	<p>Model Numbers:</p>
--	-----------------------

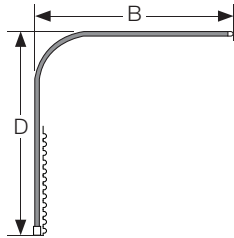
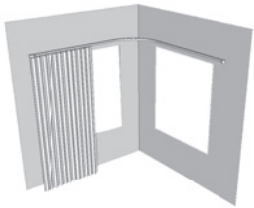
Standard Curved Drapery Track Options

Minimum Drive Leg Length (D) – 22⁷/₈ in (581 mm)

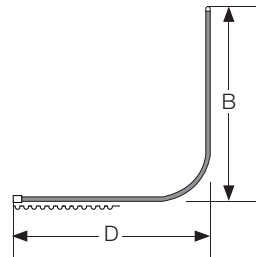
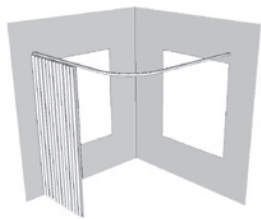
Minimum Idler Leg Length (B) – 23¹/₈ in (587 mm)

One leg can be up to 72 in (1829 mm) while the other leg can be up to 144 in (3658 mm).

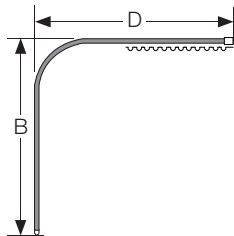
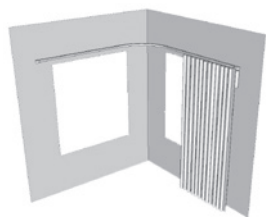
Left draw, left drive, inside curve



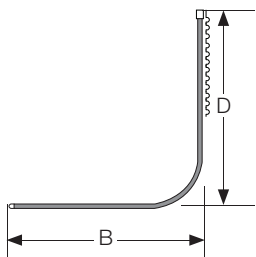
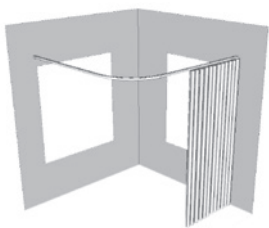
Left draw, left drive, outside curve



Right draw, right drive, inside curve



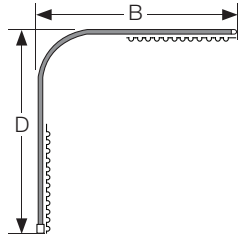
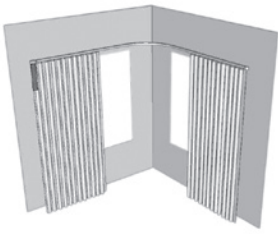
Right draw, right drive, outside curve



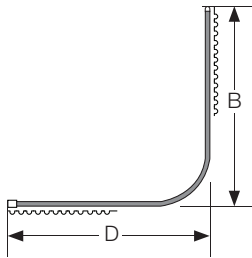
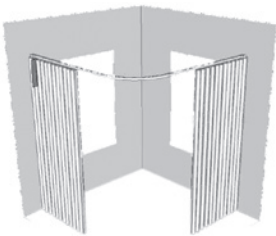
Job Name:	Model Numbers:
Job Number:	

Standard Curved Drapery Track Options (continued)

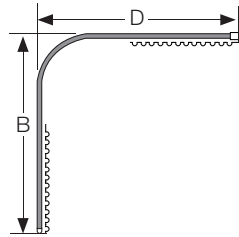
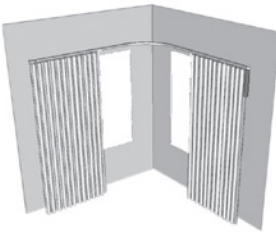
Center draw, left drive, inside curve



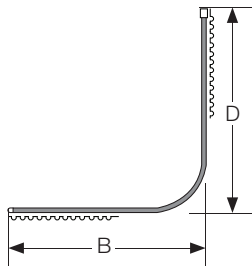
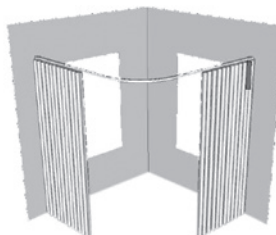
Center draw, left drive, outside curve



Center draw, right drive, inside curve



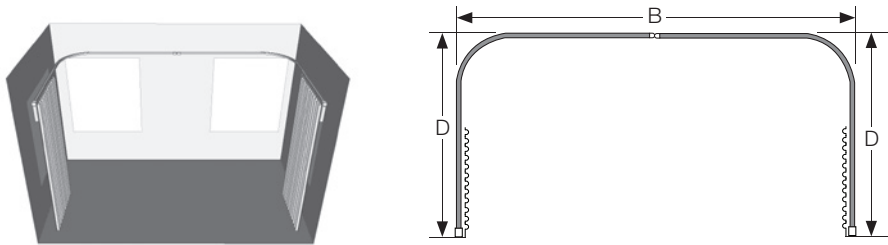
Center draw, right drive, outside curve



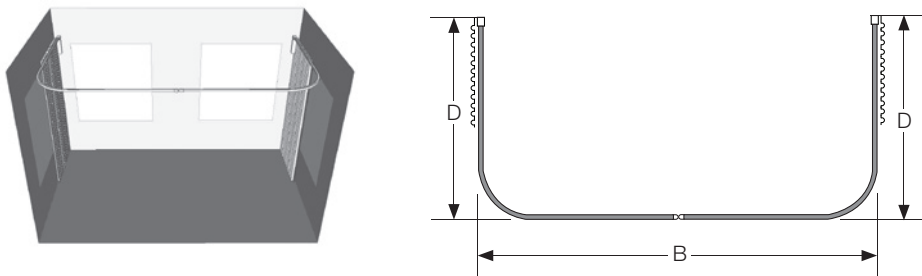
Job Name: Job Number:	Model Numbers:
------------------------------	----------------

Standard Curved Drapery Track Options (continued)

Center draw, tandem (right and left drive), inside curve



Center draw, tandem (right and left drive), outside curve



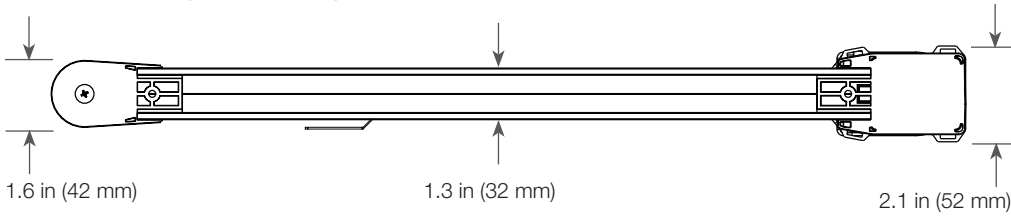
Note:

Dimension B and D do not include any wall offsets. When providing dimensions B and D, account for the wall offset to ensure the drapery track will fit properly in the desired location. The factory DOES NOT take any deductions from the provided dimensions. Refer to page 8 for recommended minimum offsets.

Job Name: Job Number:	Model Numbers:
------------------------------	----------------

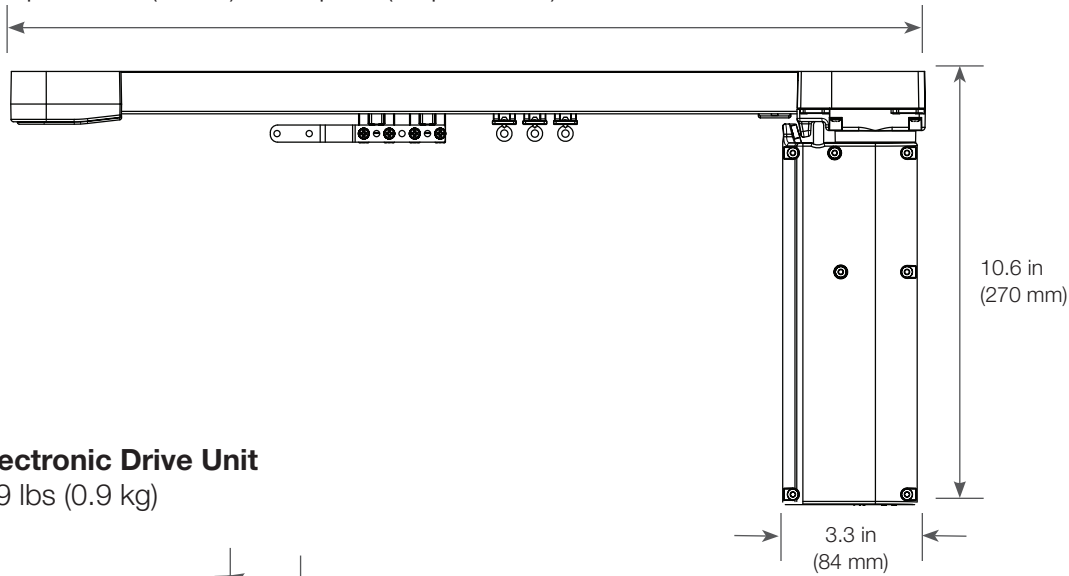
System dimensions

Top view (single track, right draw)



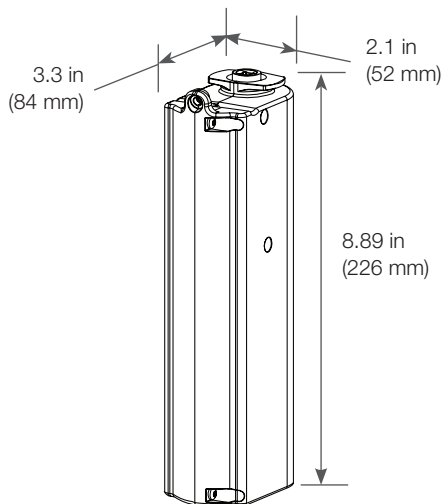
Front view (single track, right draw)

Track width 18 ft (5.5 m) max without splice
 Up to 30 ft (9.1 m) with splice (2 splice max)



Electronic Drive Unit

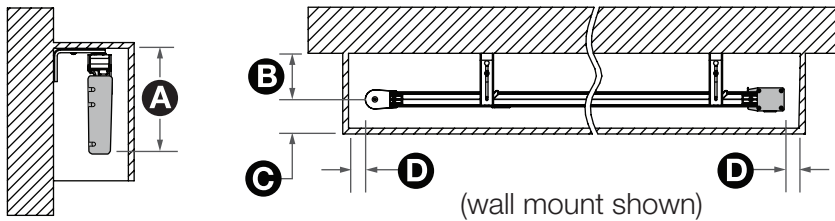
1.9 lbs (0.9 kg)



Job Name:	Model Numbers:
Job Number:	

Single drapery track system

Maintain enough clearance between the drapery track and the inside face of the top treatment or ceiling recess to allow the fabric to move freely.

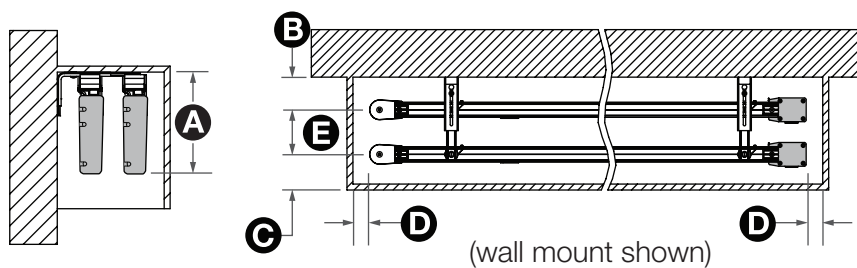


Dimensions

- A** 11.25 in (286 mm)
- B** 3.5 in (89 mm)
- C** 2.5 in (64 mm)
- D** 1 in (25 mm)

Dual drapery track system

Lutron® drapery tracks can be used for a combination sheer/blackout treatment.

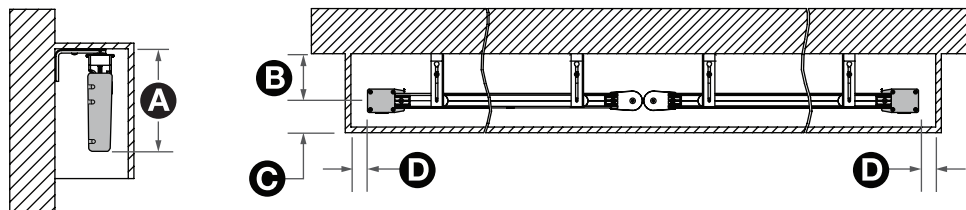


Dimensions

- A** 11.25 in (286 mm)
- B** 3.5 in (89 mm)
- C** 2.5 in (64 mm)
- D** 1 in (25 mm)
- E** 5.5 in (140 mm)

Single, tandem drapery track system

The accuracy of movement and speed control of the Lutron drapery track system allows two independent systems to be used to create a center draw drape.

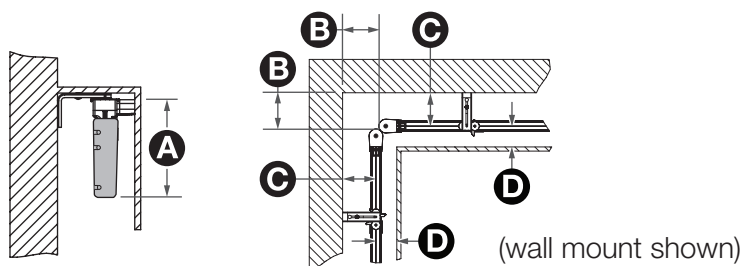


Dimensions

- A** 11.25 in (286 mm)
- B** 3.5 in (76 mm)
- C** 2.5 in (64 mm)
- D** 1 in (25 mm)

Corner application

Lutron drapery tracks can be used in corner applications.



Dimensions

- A** 11.25 in (286 mm)
- B** 4.0 in (102 mm)
- C** 3.5 in (76 mm)
- D** 2.5 in (64 mm)

Job Name:

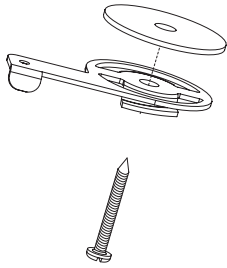
Model Numbers:

Job Number:

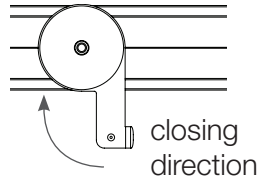
Bracket Options

Lutron drapery track is available in either wall mount or ceiling mount.

Ceiling bracket cam lock

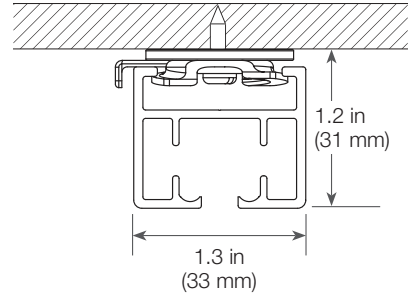


Ceiling mount bracket

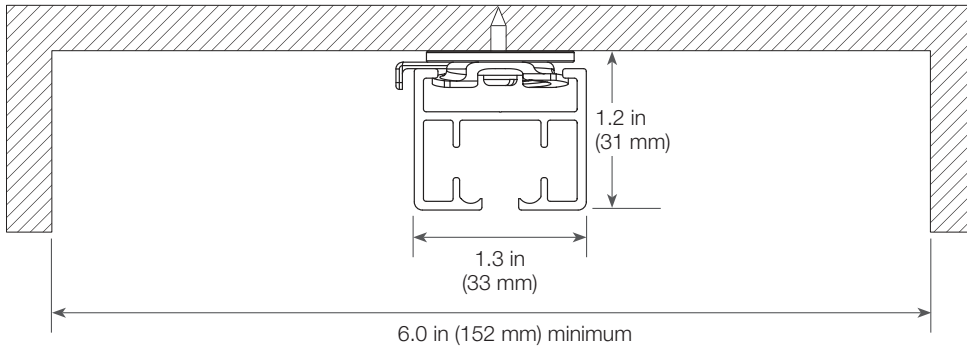


top view of clip arm extended in unlocked position

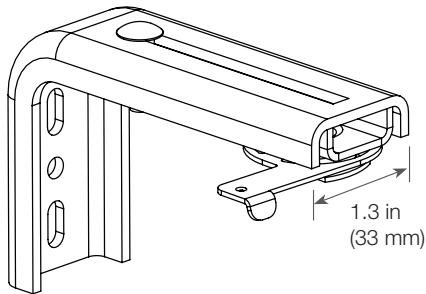
Ceiling mount application



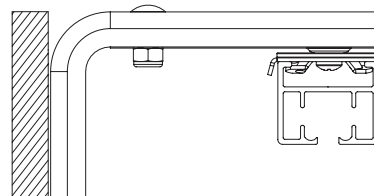
Pocket mount application



Wall-mount bracket



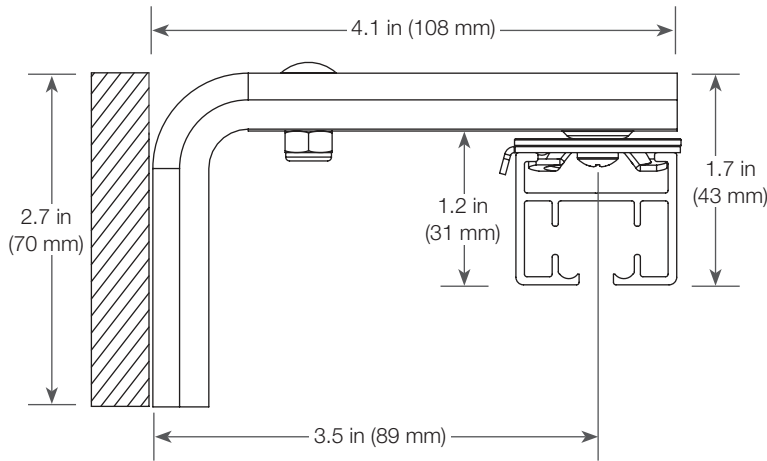
Wall mount application



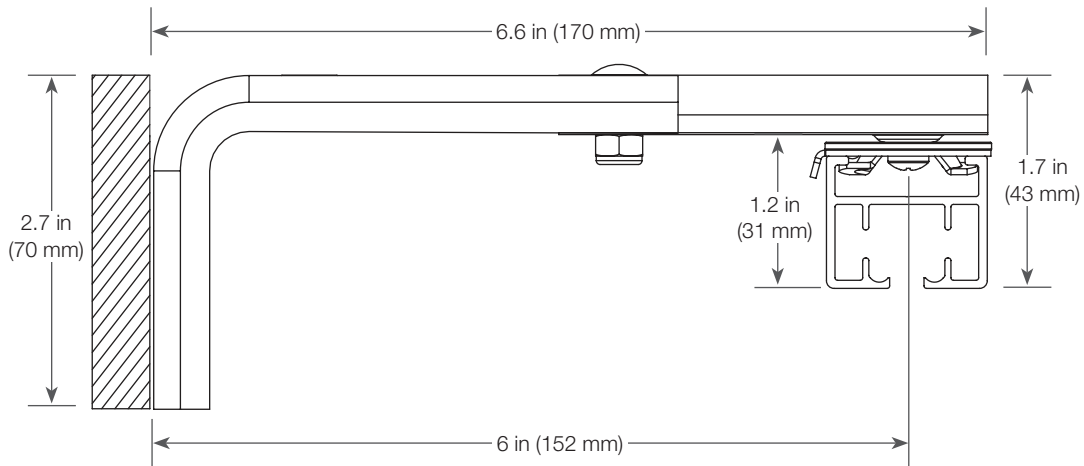
Job Name:	Model Numbers:
Job Number:	

Wall Mount Bracket

Minimum extension



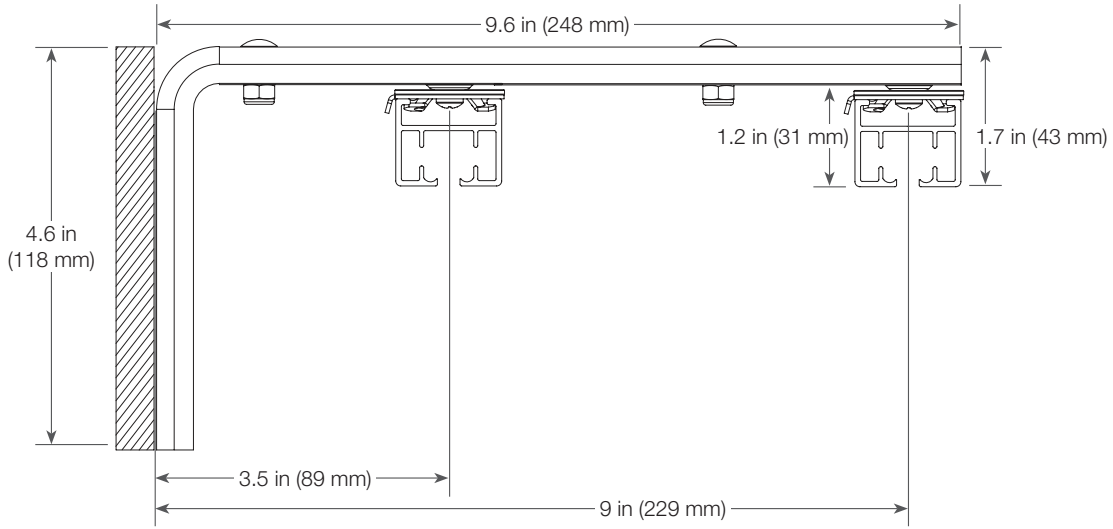
Maximum extension



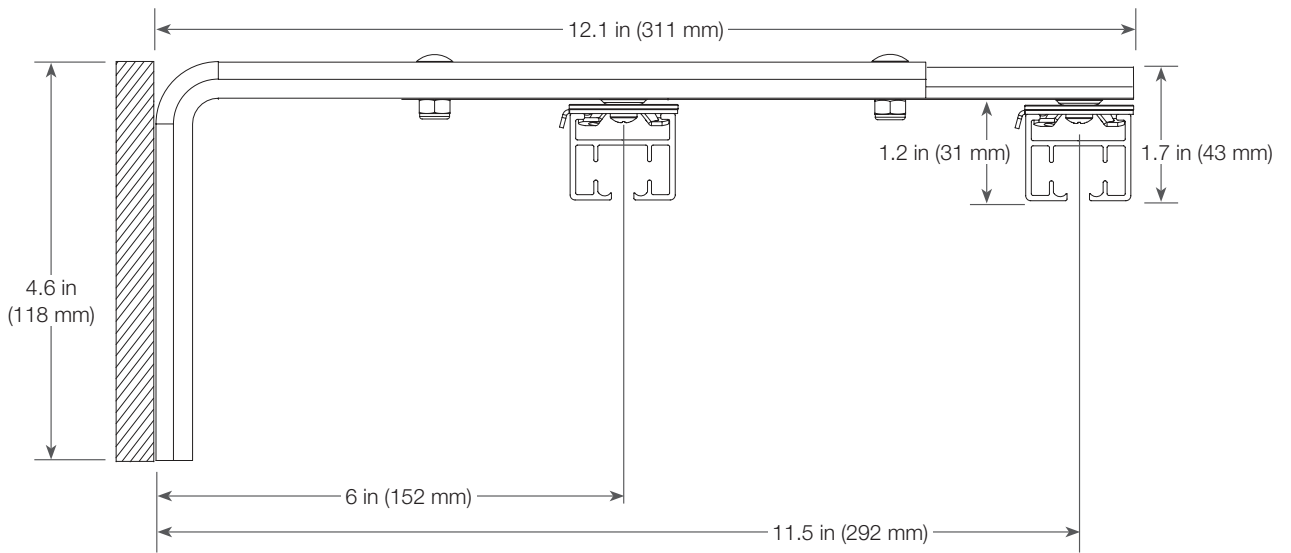
Job Name:	Model Numbers:
Job Number:	

Dual Wall Mount Bracket

Minimum extension



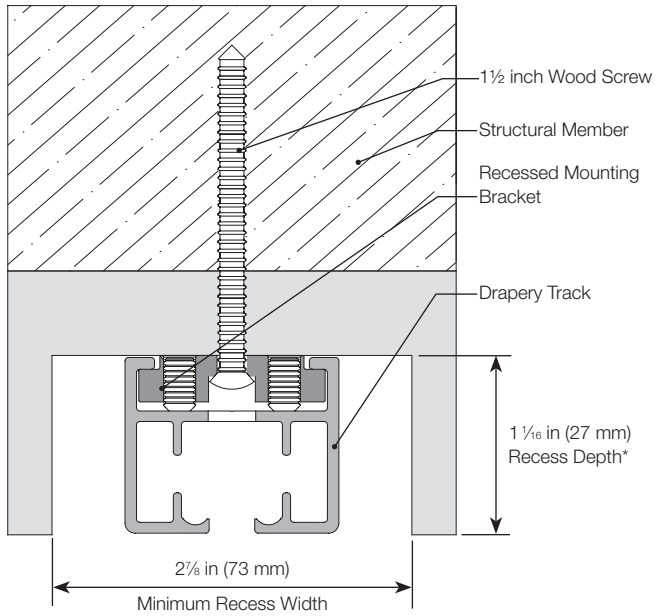
Maximum extension



Job Name:	Model Numbers:
Job Number:	

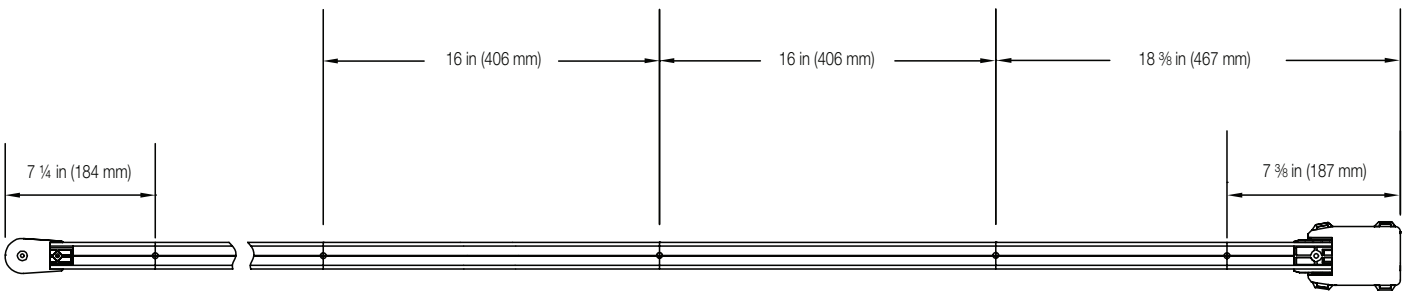
Recessed Mount Bracket

Mounting with wood screw



* Provides complete concealment of the track while maintaining proper clearance for the drapery fabric below the recess. A deeper recess will require additional width to clear the drapery fabric.

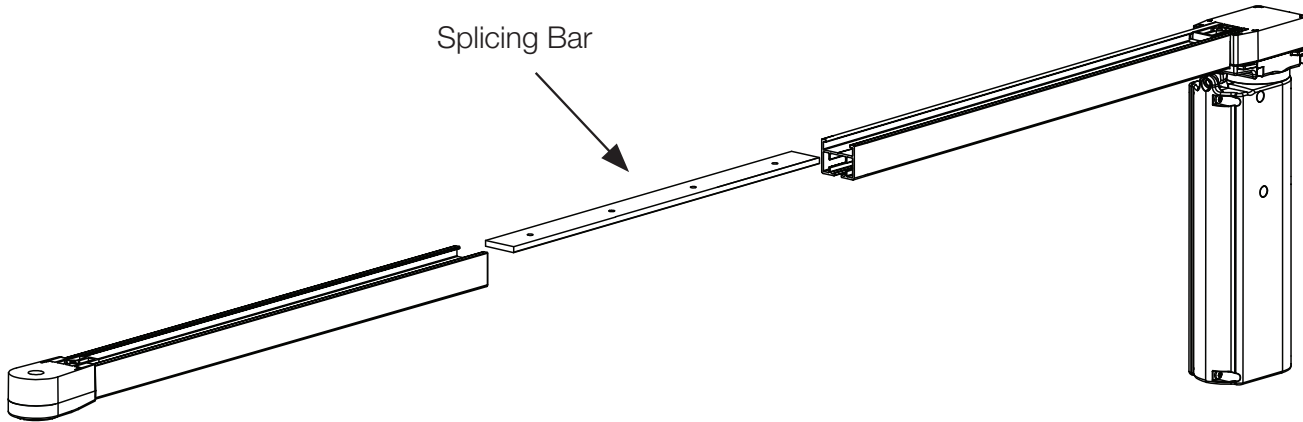
The track is predrilled with mounting holes, spaced as indicated below.



Job Name:	Model Numbers:
Job Number:	

Splice (optional)

Track available with up to 2 splices



Track splicing is available as an option with all straight Lutron drapery track systems

Track with 1 splice

Minimum Length: 6 ft (1829 mm)
Maximum Length: 30 ft (9144 mm)
Track provided in 2 equal sections

Track with 2 splices

Minimum Length: 12 ft (3658 mm)
Maximum Length: 30 ft (9144 mm)
Track provided in 3 equal sections

Note:

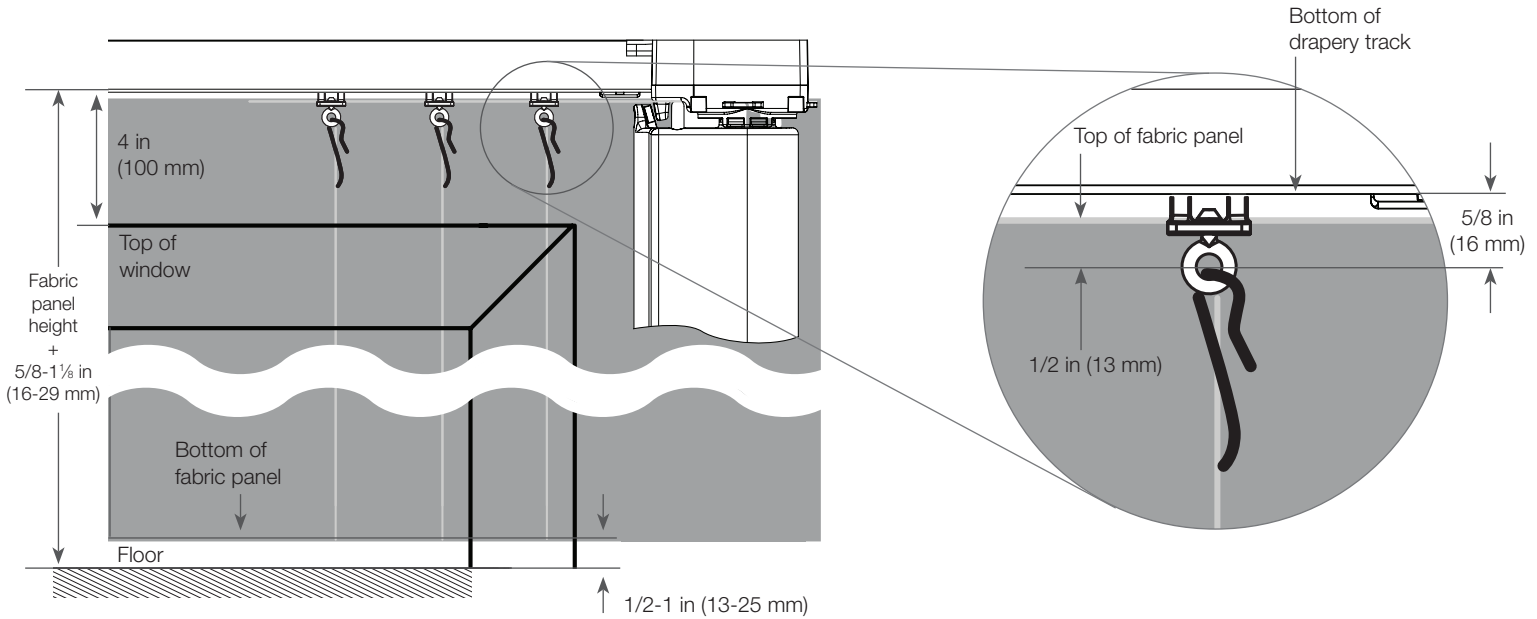
To maximize durability while minimizing carrier noise, all ripplefold configurations, and pinch pleat systems configured as Left or Right Draw with 1 or 2 splices, and Center Draw with 2 splices, utilize carriers with plastic wheels.

All other pinch pleat configurations utilize carriers with rubber wheels.

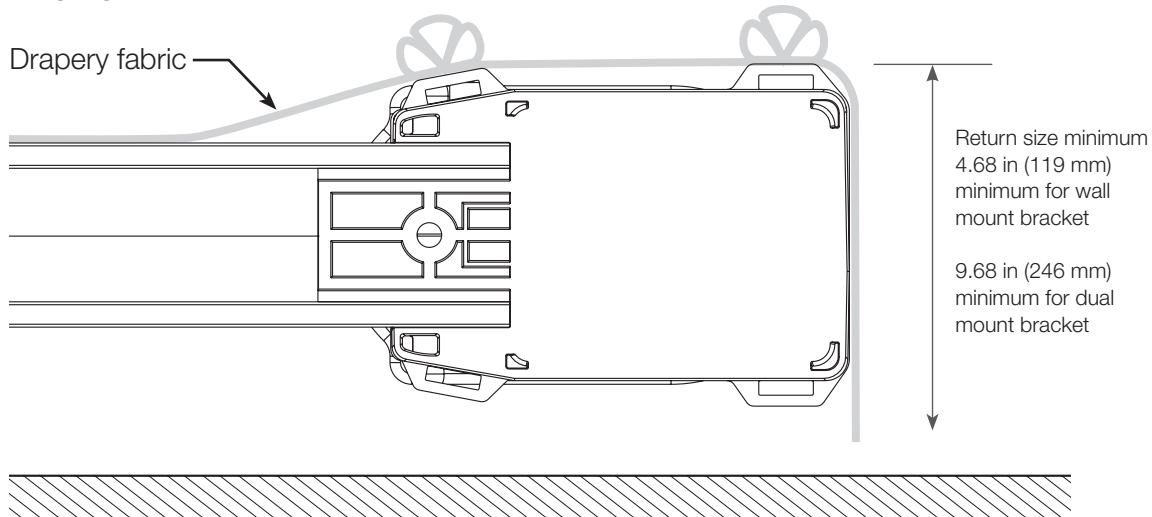
<p>Job Name:</p> <p>Job Number:</p>	<p>Model Numbers:</p>
--	-----------------------

Pinch Pleat | Drapery Hook Setting

Drapes are typically sized so the bottom of the drapery track is located 4 in (101 mm) above the window casing. Location may need to be adjusted to accommodate the specific drapery size and application. Lutron recommends a drapery hook setting of 1/2 in (13 mm) from the top of the drape to the top of the hook (hooks not included). This locates the drapes just below the track and prevents it from rubbing on the track. It is recommended that a distance of 1/2-1 in (13-25 mm) be maintained between the bottom of fabric panel and the floor.



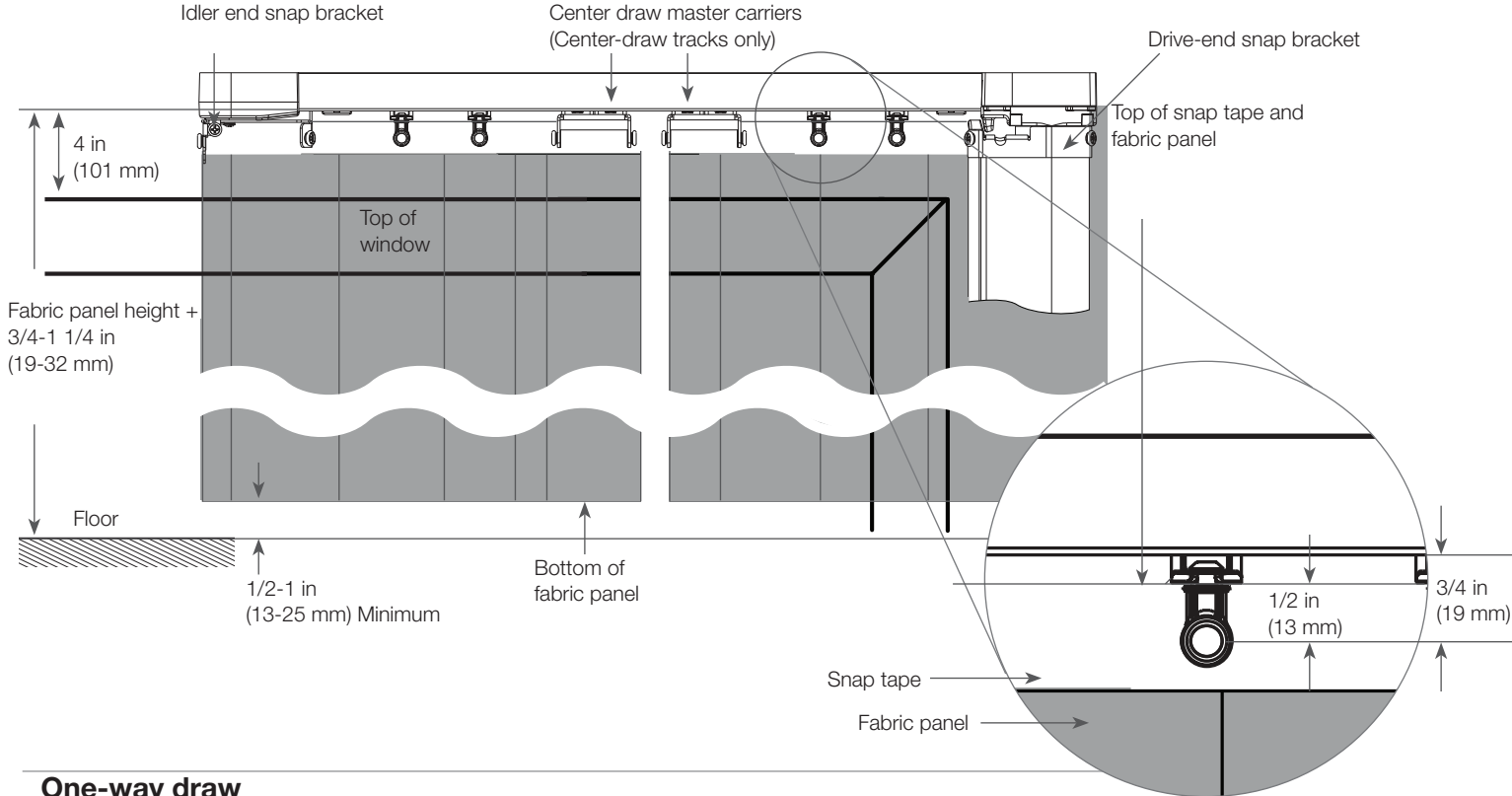
Drapery fabric return



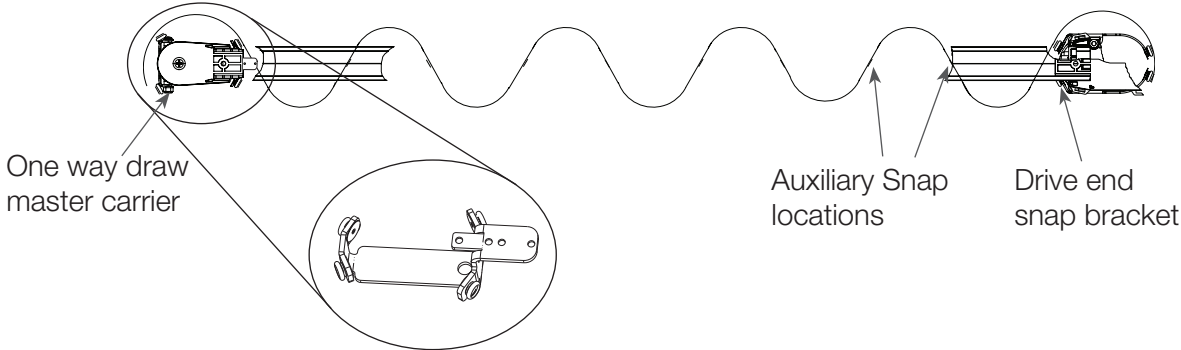
Job Name:	Model Numbers:
Job Number:	

Ripplefold | Drapery Tape Assembly

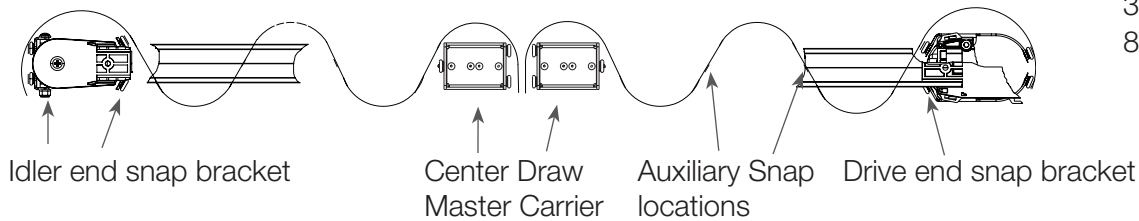
The bottom of the drapery track is to be mounted such that it is located a distance of 1/2 in (13 mm) + fabric panel height from the floor. Drapes are typically sized so the bottom of the drapery track and top of the fabric panel are located 4 in (101 mm) above the window casing. Location may need to be adjusted to accommodate the specific fabric panel height and application. It is recommended that a space of 1/2-1 in (13-25 mm) be maintained between the bottom of fabric panel and the floor.



One-way draw



Center draw



NOTES

- Drapery track system compatible with Graber ripplefold snap tape
- Tracks available in 3 fullness factors: 80%, 100%, 120%

Job Name:	Model Numbers:
Job Number:	

Ripplefold | Drapery tape assembly (continued)

The Ripplefold drapery snap tape is attached to the top of the fabric panel by the drapery manufacturer. The number of snaps required is based on the Track Width, Draw Type and Fullness of the drapery. Refer to the Shade Configuration Tool (SCT) for the number of snaps required per panel for the given specifications. Left draw and Right draw configurations require one fabric panel. Center draw and Tandem draw configurations require two fabric panels. The Lutron Ripplefold drapery system is compatible with Graber snap tape, which has a spacing of 4 1/4 in (108 mm) between snaps. The Buttmaster Carriers and the End Snap Brackets, require the outermost snap on both ends of the snap tape to be spaced 1 in (25 mm) from the adjacent snaps.

Left Draw and Right Draw Configurations

Number of Panels — 1

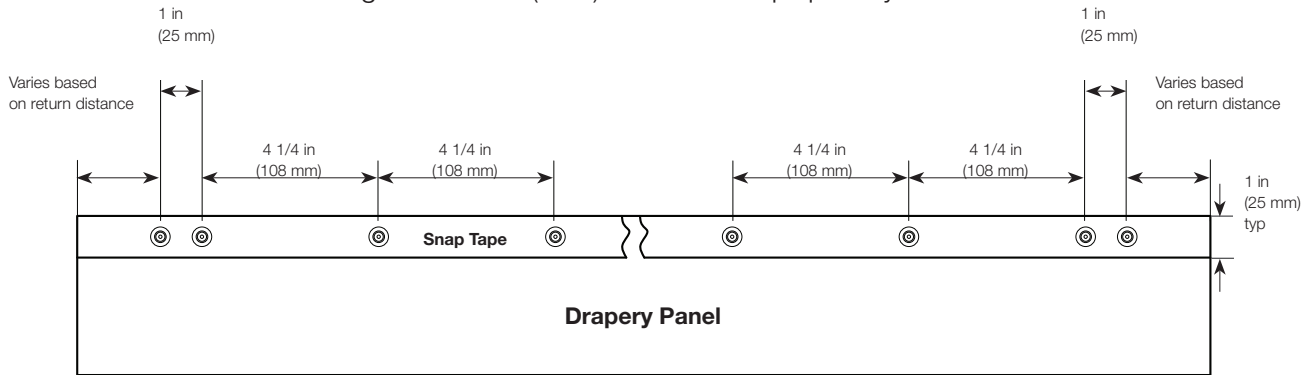
Snap Tape Type — Graber

Inner Snap Spacing — 4 1/4 in (108 mm) typical

End Snap Spacing — 1 in (25 mm)

Snaps Per Panel — Varies based on Track Width, Draw Type and Fullness.

Refer to Shade Configuration Tool (SCT) for exact snap quantity.



Center Draw and Tandem Draw Configurations

Number of Panels — 2

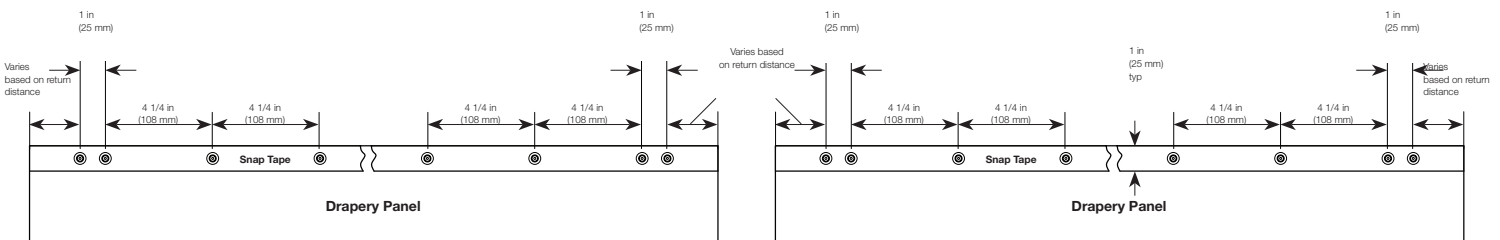
Snap Tape Type — Graber

Inner Snap Spacing — 4 1/4 in (108 mm) typical

End Snap Spacing — 1 in (25 mm)

Snaps Per Panel — Varies based on Track Width, Draw Type and Fullness.

Refer to Shade Configuration Tool (SCT) for exact snap quantity.



Job Name:	Model Numbers:
Job Number:	