

# Solid Door Back Bottle Coolers

(side mount compressor)



BB-2D-60



BB-2D-70



BB-3D-90

Model	Size
BB-2D-60	Two Door, 4.56 Cu-Ft
BB-2D-70	Two Door, 7.12 Cu-Ft
BB-3D-90	Three Door, 11.31 Cu-Ft

## STANDARD FEATURES

- Bright LED lighting standard on all back bar coolers
- CFC free refrigerant and foam with self contained capillary tube system
- Electronic thermostat and digital LED temperature display for accurate control and easy reading
- Self-closing door
- Four casters- two front locking
- Magnetic gasket can be replaced without a tool
- Warranty: 2 years parts and labor  
additional 3 years- compressor

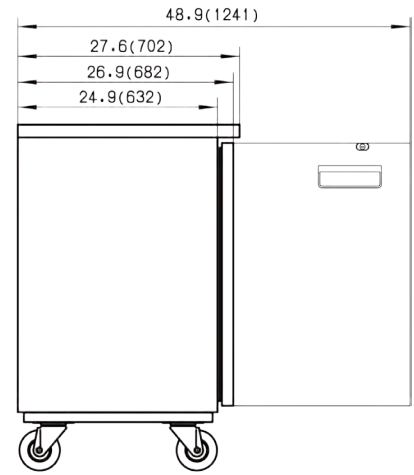
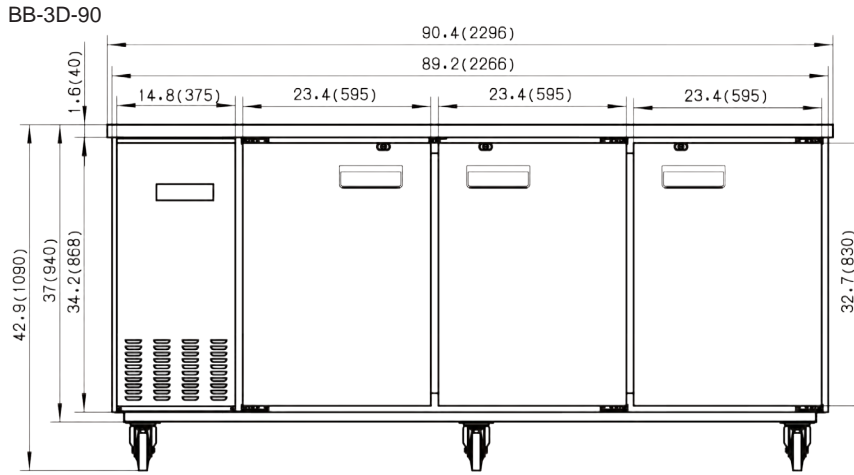
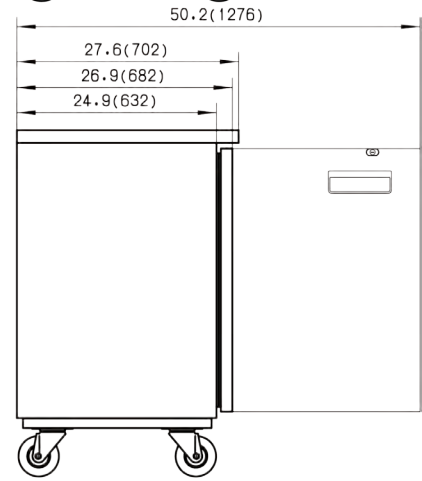
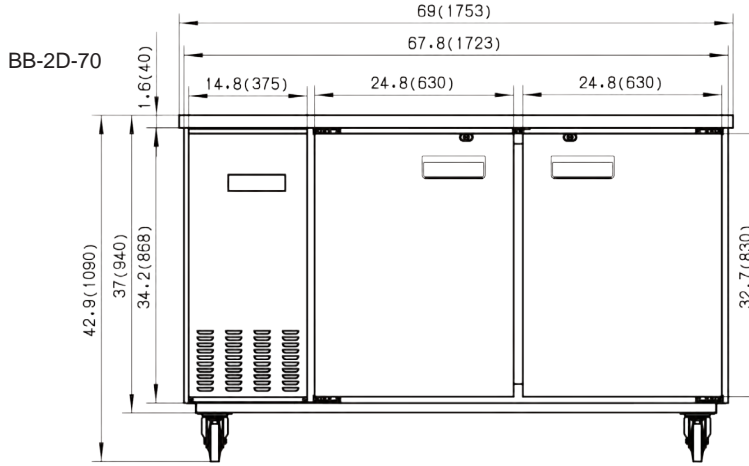
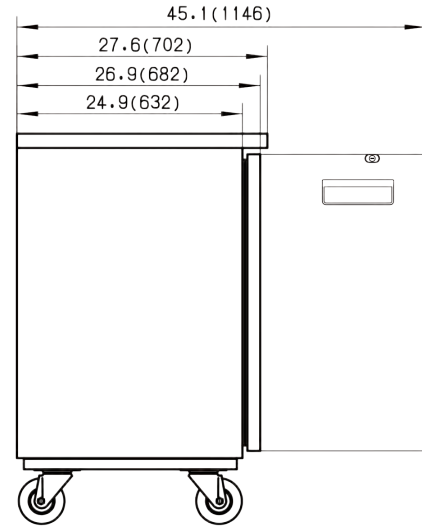
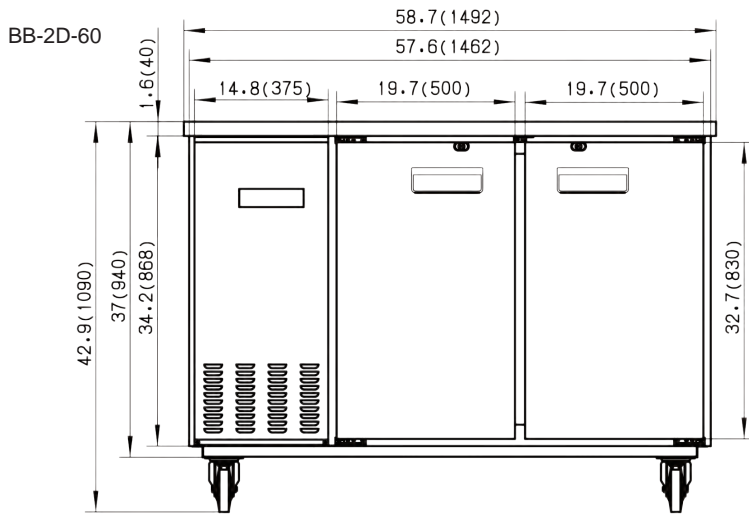
BOTTLE COOLERS

Items	Description	Items	Description
External top/side	430 stainless steel	Temperature control	Solid State T-stat with Digital Display
Door	Painted black	Comply to standard	ANSI / NSF-7
External back	Painted black	Refrigerating system	Capillary tube
Cabinet internal	Stainless steel	Refrigerant	R404
Internal floor	Stainless steel	Temp. Range in box	33°F — 38°F
Insulation	Polyurethane (CFC free)	Evaporator/Condenser	Aluminum + Copper
Lighting	LED	Condensing unit	Side Mount
		Doors	Solid Doors





# DETAILS AND DIMENSIONS



Model	# of Doors	Storage CAP (Cu-ft)	Shelves	Cabinet Dim (in)			HP	Voltage /Hz /ph	Amp	NEMA Plug	Cord Lgth (ft)	Crated Weight (lbs)
				W	D	H						
BB-2D-60	2	4.56	4	58.7	27.6	42.5	3/8	115/60/1	4.5	5-15P	8.2	302
BB-2D-70	2	7.12	4	69	27.6	42.5	3/8	115/60/1	4.5	5-15P	8.2	355
BB-3D-90	2	11.31	6	90.4	27.6	42.5	1/2	115/60/1	6	5-15P	8.2	412