

NO.	DATE	DESCRIPTION
1.1	02.20.23	DRAWING FOR AN REVIEW
1.2	03.09.23	1ST REVISION
1.3	04.20.23	1ST REVISION

BY	BG	BG	BG
----	----	----	----

NO.	DATE	DESCRIPTION
1.1	02.20.23	DRAWING FOR AN REVIEW
1.2	03.09.23	1ST REVISION
1.3	04.20.23	1ST REVISION

SHEET INDEX

001	COVER PAGE
002	SHEET INDEX / GENERAL NOTES
003	SCHEDULES
101	FLOOR PLANS
102	FLOOR PLANS
ELEVATION SHEETS	
201	STOREFRONT ELEVATIONS
202	STOREFRONT ELEVATIONS
203	STOREFRONT ELEVATIONS
204	STOREFRONT ELEVATIONS
205	STOREFRONT ELEVATIONS
206	STOREFRONT ELEVATIONS
207	STOREFRONT ELEVATIONS
208	STOREFRONT ELEVATIONS
209	STOREFRONT ELEVATIONS
210	STOREFRONT ELEVATIONS
211	STOREFRONT ELEVATIONS
212	STOREFRONT ELEVATIONS
213	STOREFRONT ELEVATIONS
214	STOREFRONT ELEVATIONS
215	STOREFRONT ELEVATIONS
216	STOREFRONT ELEVATIONS
217	STOREFRONT ELEVATIONS
218	STOREFRONT ELEVATIONS
219	STOREFRONT ELEVATIONS
220	MIRROR ELEVATIONS
DETAIL SHEETS	
301	STOREFRONT DETAILS
302	STOREFRONT DETAILS
303	STOREFRONT DETAILS
304	STOREFRONT DETAILS
305	STOREFRONT DETAILS
306	STOREFRONT DETAILS
307	STOREFRONT DETAILS
308	STOREFRONT DETAILS
309	STOREFRONT DETAILS
310	STOREFRONT DETAILS
310A	STOREFRONT DETAILS
311	STOREFRONT DETAILS

APPLIED SYSTEMS

MANUFACTURE	MODEL #	EXTERIOR / INTERIOR / LOCATION / DESCRIPTION	FINISH	PERIMETER GAP AT HEAD	PERIMETER GAP AT SILL	PERIMETER GAP AT JAMBS
OLDCASTLE B.E.	FG-2000	INTERIOR STOREFRONT	CLASS 2 CLEAR ANODIZED	1/4"	1/4"	1/4"
OLDCASTLE B.E.	FG-3000	INTERIOR STOREFRONT	CLASS 2 CLEAR ANODIZED	1/4"	1/4"	1/4"

PERIMETER SEALANT

MANUFACTURE	SERIES / COLOR	EXTERIOR / INTERIOR
N/A	N/A	N/A

GENERAL NOTES

- THIS SET OF DRAWINGS IS THE PROPERTY OF ALEXANDER METALS, INC. ANY REPRODUCTION, COPYING OR USE OF THIS DRAWINGS FOR PROJECTS OTHER THEN WHAT IS NOTED WITHOUT WRITTEN CONSENT IS PROHIBITED AND ANY INFRINGEMENT WILL BE SUBJECT TO LEGAL ACTION.
- ALEXANDER METALS WILL NOT ASSUME RESPONSIBILITY FOR ERRORS RESULTING FROM THE USE OF THESE DRAWINGS BY OTHER TRADES.
- THESE DRAWINGS REPRESENTS ALEXANDER METAL'S APPLICATION OF PRODUCTS TO THIS PROJECT IN FUNCTIONAL COMPLIANCE WITH THE ARCHITECT'S DRAWINGS AND SPECIFICATIONS. IT IS IMPORTANT THAT THIS INTERPRETATION BE REVIEWED DIMENSIONALLY AND FUNCTIONALLY WITH RESPECT TO ACTUAL ARCHITECTURAL INTENT, INTERFACING CONDITIONS, MATERIALS AND JOB SITE CONDITIONS.
- PROJECT MATERIALS MUST BE PROTECTED IMMEDIATELY FROM STAINING BY WET CARDBOARD PAPER AND FROM ACTION OF HARSH ALKALIS AND SAND IN CONCRETE, STUCCO, MORTAR OR PLASTER. THE SETTING OF THE PROJECT MATERIALS REQUIRES GENERAL CONTRACTOR TO CLOSELY SUPERVISE OTHER TRADES SO AS TO PREVENT MARRING OR DISCOLORATION FROM ANY CAUSE.
- ALL FINISH MATERIALS MUST BE PROTECTED DURING WELDING OPERATIONS, FIREPROOFING OR ANY OTHER PROCESS THAT MAYBE HARMFUL TO THE APPEARANCE OR PERFORMANCE OF THE PROJECT MATERIALS.
- ALL GASKET JOINTS, BUTT JOINTS, LAP JOINTS, HEEL BEADS, TOE BEADS AND CAP BEADS SHOULD BE SEALED WATERTIGHT FOLLOWING SEALANT MANUFACTURER RECOMMENDATIONS AS TO SIZE, METHOD OF APPLICATION AND COMPATIBILITY WITH ADJOINING MATERIALS.
- INSTALLATION IS SUBJECT TO MANUFACTURER'S RECOMMENDATION IN ACCORDANCE WITH ACCEPTABLE INDUSTRY STANDARDS.
- ADEQUATE STRUCTURE CAPABLE OF WITHSTANDING THE LOADS IMPOSED BY THE SYSTEM BEING APPLIED MUST BE PROVIDED.
- ALL ROUGH OPENING WEATHERPROOFING & DIMENSIONS TO BE VERIFIED BY G.M. PRIOR TO SYSTEM INSTALLATION.
- ALL ROUGH OPENINGS PROVIDED MUST BE SQUARE AND WITHIN SPECIFIED BUILDING TOLERANCES.
- AMI WILL ONLY APPLY THE PRIMARY PERIMETER SEAL OF WINDOW SYSTEMS TO A IMPERMEABLE SUBSTRATE AND OR A WATER RESISTANT MEMBRANE. THIS DOES NOT INCLUDE EIFS, STUCCO, OR ANY POROUS COATING / SURFACE. (AMI WILL NOT SEAL TO EIFS)
- ALL CONCRETE MUST CURE FOR A MIN. OF 30 DAYS PRIOR TO INSTALLATION OF WINDOW FRAMING TO ENSURE ADEQUATE FASTENING AND SEALANT ADHESION.
- NO MATERIAL BY ANY OTHER TRADES IS TO BE FASTENED DIRECTLY TO THE ALUMINUM STOREFRONTS AND CURTAIN WALL WITHOUT CONSULTING ALEXANDER METALS.
- ALL WEEP HOLES MUST REMAIN UNOBSTRUCTED

GLAZING SCHEDULE

ID #	MANUFACTURE SUPPLIER	GLAZING COMPOSITION
GL1	N/A	3/8" CLEAR TEMPERED
GL1F	N/A	3/8" CLEAR TEMPERED WITH APPLIED FILM TBD
GL2	N/A	1/2" CLEAR TEMPERED
GL3	N/A	1/4" CLEAR TEMPERED WITH APPLIED FILM TBD
GL4	N/A	1/4" CLEAR TEMPERED
GL5	N/A	1/4" MIRROR

MISC. MATERIAL TABLE

MANUFACTURE	MODEL #	DESCRIPTION	FINISH
N/A	N/A	N/A	N/A

LEGEND / SYMBOLS

PLYWOOD	FINISHED WOOD
BATT INSULATION	DIMENSION LUMBER
GROUT	FACE BRICK
ACOUSTICAL CEILING	RIGID INSULATION
ALUMINUM	CONCRETE
MARBLE	CONCRETE BLOCK
CUT STONE / PRECAST	STEEL IN SECTION
GYPSUM / DRYWALL	DENOTES BLOCKING OR SHIM, NOT NECESSARILY ONE PIECE.
ELEVATION TITLE	WORKING POINT
ELEVATION MARK/TITLE	WIND LOAD ANCHOR
ELEVATION SHEET NUM.	DEAD LOAD ANCHOR
DIMENSIONAL REVERENCE / ELEVATION	BACKER ROD & SEALANT BY AMI
GLAZING INDICATION NUM.	DENOTES NORTH DIRECTION
DOOR NUMBER	STEEL REINFORCEMENT

GLASS SETTING BLOCKS

MODEL #	HORIZONTAL SPAN LENGTH / SETTING BLOCK
N/A	N/A

PER PE REVIEW, SEE SEPERATE SUBMITTAL

ABBREVIATIONS

AMI = ALEXANDER METALS INC	G.C. = GENERAL CONTRACTOR
A.R. = ARCHITECTURAL REFERENCE	G.L. = GLASS
A.F.F. = ABOVE FINISH FLOOR	GALV. = GALVANIZED
BLDG. = BUILDING	HDW = HARDWARE
B/O = BY OTHERS, NOT BY AMI	I.Z. = INSIDE ZONE
B.O. = BOTTOM OF	M.H. = MULLION HEIGHT
B.O.M. = BOTTOM OF MULLION	M.P. = METAL PANEL
C.L. = CENTER LINE	N.T.S. = NOT TO SCALE
C.Z. = CORNER ZONE	O.C. = ON CENTER
DIM = DIMENSION	OPP = OPPOSITE HAND
D.L. = DEAD LOAD	REQ'D = REQUIRED
D.L.O. = DAY LIGHT OPENING	R.O. = ROUGH OPENING
D.O. = DOOR OPENING	S.F. = SQUARE FOOT
E.D. = EDGE DISTANCE	S.G. = SPANDREL GLASS
ELEV. = ELEVATION	SIM = SIMILIAR
EMBD. = EMBEDMENT	T.O. = TOP OF
E.O.G. = EDGE OF GLASS	T.O.M. = TOP OF MULLION
E.O.S. = EDGE OF SLAB	T.O.S. = TOP OF SURFACE
F.D. = FRAME DIMENSION	V.I.F. = VERIFY IN FIELD
F.F. = FINISH FLOOR	W.H. = WINDOW HEIGHT
F.O.G. = FACE OF GLASS	W.L. = WIND LOAD
F.H. = FRAME HEIGHT	W.P. = WORKING POINT
F.W. = FRAME WIDTH	W.W. = WINDOW WIDTH

ADDITIONAL NOTES

ADDITIONAL NOTES

DIMENSION VERIFICATION

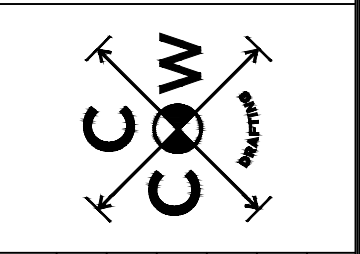
TO BE DETERMINED BY G.C.

FIELD VERIFIED:

GUARANTEED DIMENSIONS:

DRAWING PREP'D FROM

DRAWING PREP'D FROM



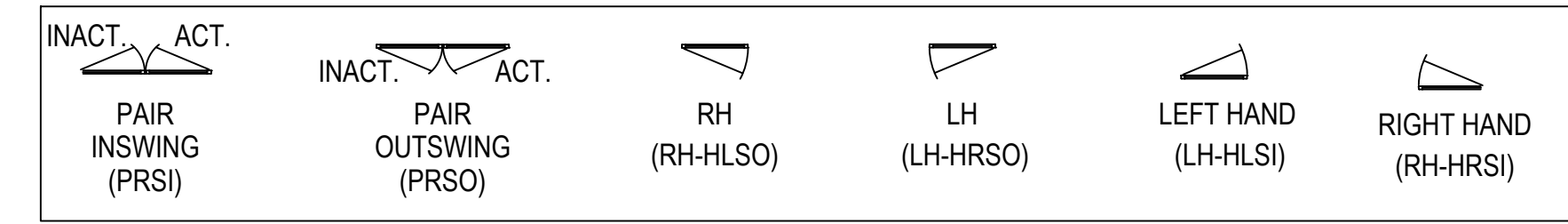
NO.	DATE	DESCRIPTION
1.1	02.20.23	DRAWN FOR ANI REVIEW
1.2	03.09.23	1ST REVISION
1.3	04.20.23	1ST REVISION

DOOR SCHEDULE					
DOOR	DOOR OPENING SIZE	HAND	FRAMING	FRAME TYPE	DOOR TYPE
501	3'-0" X 7'-0"	RH-HRSI	FG-2000	SF1R	WIDE STILE
505	3'-0" X 7'-0"	LH-HRSO	FG-3000	SF4.1	WIDE STILE
507	3'-0" X 7'-0"	LH-HRSO	FG-3000	SF4.1	WIDE STILE
509	3'-0" X 7'-0"	LH-HRSO	FG-3000	SF4.1	WIDE STILE
526	3'-0" X 7'-0"	LH-HLSI	FG-2000	SF1L	WIDE STILE
528	3'-0" X 7'-0"	LH-HLSI	FG-2000	SF1L	WIDE STILE
530	3'-0" X 7'-0"	LH-HLSI	FG-2000	SF1L	WIDE STILE
534	3'-6" X 7'-0"	LH-HRSO	FG-2000	SF3	WIDE STILE
546	3'-0" X 7'-0"	LH-HLSI	FG-2000	SF2L	WIDE STILE
548	3'-0" X 7'-0"	RH-HRSI	FG-2000	SF2R	WIDE STILE
550	3'-0" X 7'-0"	LH-HLSI	FG-2000	SF2L.1	WIDE STILE
552	3'-0" X 7'-0"	RH-HRSI	FG-2000	SF2R.1	WIDE STILE
554	3'-0" X 7'-0"	LH-HLSI	FG-2000	SF2L	WIDE STILE
558	3'-0" X 7'-0"	LH-HLSI	FG-2000	SF2L	WIDE STILE
560	3'-0" X 7'-0"	RH-HRSI	FG-2000	SF1R.1	WIDE STILE
601	3'-0" X 7'-0"	LH-HRSO	FG-3000	SF4.2	WIDE STILE
603	3'-0" X 7'-0"	LH-HRSO	FG-3000	SF4.2	WIDE STILE
603A1	3'-0" X 7'-0"	LH-HRSO	FG-3000	SF4.2	WIDE STILE
624	3'-0" X 7'-0"	LH-HLSI	FG-2000	SF1L	WIDE STILE
626	3'-0" X 7'-0"	LH-HLSI	FG-2000	SF1L	WIDE STILE
628	3'-0" X 7'-0"	LH-HLSI	FG-2000	SF1L	WIDE STILE
630	3'-0" X 7'-0"	LH-HLSI	FG-2000	SF1L	WIDE STILE
632	3'-0" X 7'-0"	LH-HLSI	FG-2000	SF1L	WIDE STILE
636	3'-0" X 7'-0"	RH-HRSI	FG-2000	SF2R	WIDE STILE
638	3'-0" X 7'-0"	LH-HLSI	FG-2000	SF2L.2	WIDE STILE
640	3'-0" X 7'-0"	RH-HRSI	FG-2000	SF2R.2	WIDE STILE
642	3'-0" X 7'-0"	LH-HLSI	FG-2000	SF2L.2	WIDE STILE
644	3'-0" X 7'-0"	RH-HRSI	FG-2000	SF2R	WIDE STILE
646	3'-0" X 7'-0"	LH-HLSI	FG-2000	SF2L	WIDE STILE
648	3'-0" X 7'-0"	RH-HRSI	FG-2000	SF2R	WIDE STILE
650	3'-0" X 7'-0"	LH-HLSI	FG-2000	SF2L	WIDE STILE
652	3'-0" X 7'-0"	LH-HLSI	FG-2000	SF2L	WIDE STILE
656A	3'-0" X 7'-0"	LH-HRSO	FG-3000	SF4.3	WIDE STILE
656B	3'-0" X 7'-0"	RH-HLSO	FG-3000	SF4.3	WIDE STILE

DOOR NOTES:
 1) DOORS ARE TO BE OLDCASTLE B.E. STANDARD WIDE STILE 1 3/4" THICK WITH 4" TOP RAIL AND 10" BOTTOM RAIL.
 INTERIOR DOORS TO RECEIVE 1/4" GLASS.

HARDWARE SET: (CUSTOM HARDWARE BY AMI)
 - BUTT HINGES
 - CLASSROOM LOCKS
 - SURFACE CLOSER WITH DROP PLATE

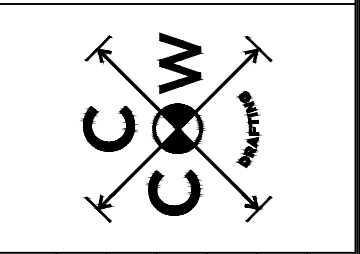
STOREFRONT WINDOW SYSTEM SCHEDULE							QUANTITY	
WINDOW	PAGE #	FRAMING SYSTEM	DOOR(S)	GLAZING	FINISH	TOTAL		
SF1L	2.01	OLDCASTLE B.E. FG-2000 - 1 3/4" X 4 1/2" ALUMINUM STOREFRONT TO ACCEPT 3/8" GLASS	526 528 530 624 626 628 630 632	GL1 GL1B GL3	CLASS 2 CLEAR ANODIZED	8		
SF1R	2.02	OLDCASTLE B.E. FG-2000 - 1 3/4" X 4 1/2" ALUMINUM STOREFRONT TO ACCEPT 3/8" GLASS	501	GL1 GL1B GL3	CLASS 2 CLEAR ANODIZED	1		
SF1R.1	2.03	OLDCASTLE B.E. FG-2000 - 1 3/4" X 4 1/2" ALUMINUM STOREFRONT TO ACCEPT 3/8" GLASS	560	GL1 GL1B GL3	CLASS 2 CLEAR ANODIZED	1		
SF2	2.04	OLDCASTLE B.E. FG-2000 - 1 3/4" X 4 1/2" ALUMINUM STOREFRONT TO ACCEPT 3/8" GLASS	N/A	GL1	CLASS 2 CLEAR ANODIZED	1		
SF2L	2.05	OLDCASTLE B.E. FG-2000 - 1 3/4" X 4 1/2" ALUMINUM STOREFRONT TO ACCEPT 3/8" GLASS	546 554 558 646 650 652	GL1 GL1B GL3	CLASS 2 CLEAR ANODIZED	6		
SF2R	2.06	OLDCASTLE B.E. FG-2000 - 1 3/4" X 4 1/2" ALUMINUM STOREFRONT TO ACCEPT 3/8" GLASS	548 636 644 648	GL1 GL1B GL3	CLASS 2 CLEAR ANODIZED	4		
SF2L.1	2.07	OLDCASTLE B.E. FG-2000 - 1 3/4" X 4 1/2" ALUMINUM STOREFRONT TO ACCEPT 3/8" GLASS	550	GL1 GL1B GL3	CLASS 2 CLEAR ANODIZED	1		
SF2R.1	2.08	OLDCASTLE B.E. FG-2000 - 1 3/4" X 4 1/2" ALUMINUM STOREFRONT TO ACCEPT 3/8" GLASS	552	GL1 GL1B GL3	CLASS 2 CLEAR ANODIZED	1		
SF2L.2	2.09	OLDCASTLE B.E. FG-2000 - 1 3/4" X 4 1/2" ALUMINUM STOREFRONT TO ACCEPT 3/8" GLASS	638 642	GL1 GL1B GL3	CLASS 2 CLEAR ANODIZED	2		
SF2R.2	2.10	OLDCASTLE B.E. FG-2000 - 1 3/4" X 4 1/2" ALUMINUM STOREFRONT TO ACCEPT 3/8" GLASS	640	GL1 GL1B GL3	CLASS 2 CLEAR ANODIZED	1		
SF3	2.11	OLDCASTLE B.E. FG-2000 - 1 3/4" X 4 1/2" ALUMINUM STOREFRONT TO ACCEPT 3/8" GLASS	534	GL1 GL4	CLASS 2 CLEAR ANODIZED	1		
SF4.1	2.12 - 2.14	OLDCASTLE B.E. FG-3000 - 2" X 4 1/2" ALUMINUM STOREFRONT TO ACCEPT 1/2" GLASS	505 507 509	GL2 GL4	CLASS 2 CLEAR ANODIZED	1		
SF4.2	2.15 - 2.17	OLDCASTLE B.E. FG-3000 - 2" X 4 1/2" ALUMINUM STOREFRONT TO ACCEPT 1/2" GLASS	601 603 603A1	GL2 GL4	CLASS 2 CLEAR ANODIZED	1		
SF4.3	2.18 - 2.19	OLDCASTLE B.E. FG-3000 - 2" X 4 1/2" ALUMINUM STOREFRONT TO ACCEPT 1/2" GLASS	656A 656B	GL2 GL4	CLASS 2 CLEAR ANODIZED	1		
MR	2.20	MIRROR	N/A	GL5	N/A	4		



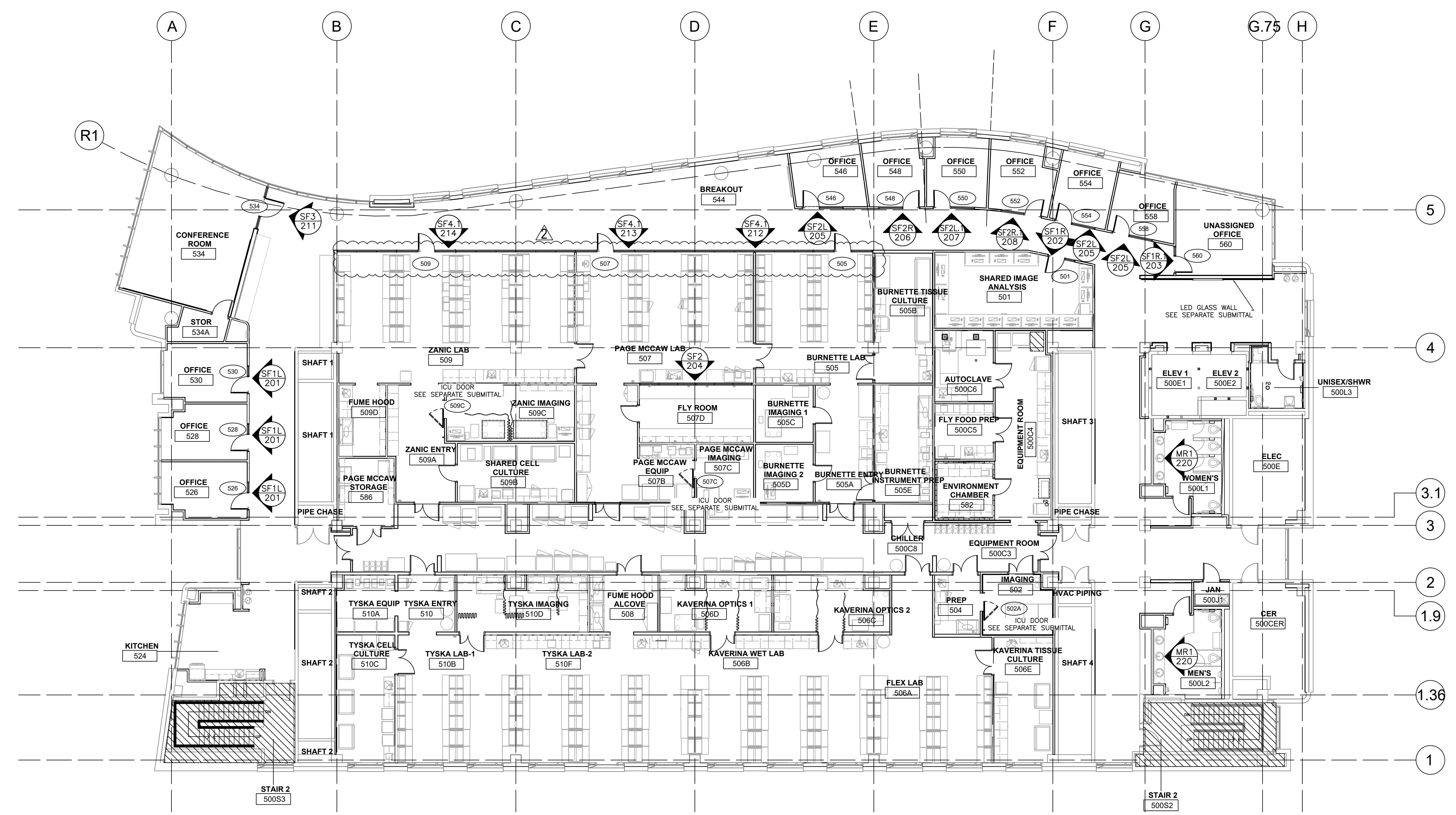
SCOPE:
SHOP DRAWINGS
FOR (SCOPE OF
WORK)

PROJECT:
VANDERBILT UNIVERSITY
ENGINEERING AND SCIENCE
BUILDING - LEVEL 5 & 6 FITOUT
2414 HIGHLAND AVE.
NASHVILLE, TN 37212

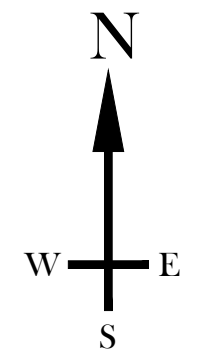
**ALEXANDER
METALS INC.**
ARCHITECTURAL PRODUCT SPECIALISTS
487 CAVE RD NASHVILLE, TENNESSEE 37210
PHONE: (615) 256-8070 FAX: (615) 256-9523
www.AlexanderMetalsInc.com

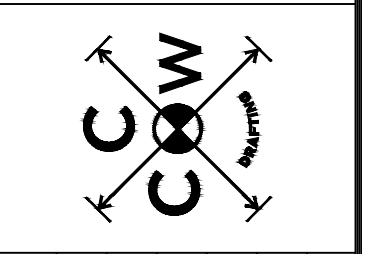


NO.	DATE	REVISION
1.1	02.09.23	DRAFT FOR AIR REVIEW
1.2	03.09.23	1ST REVISION
1.3	04.20.23	1ST REVISION

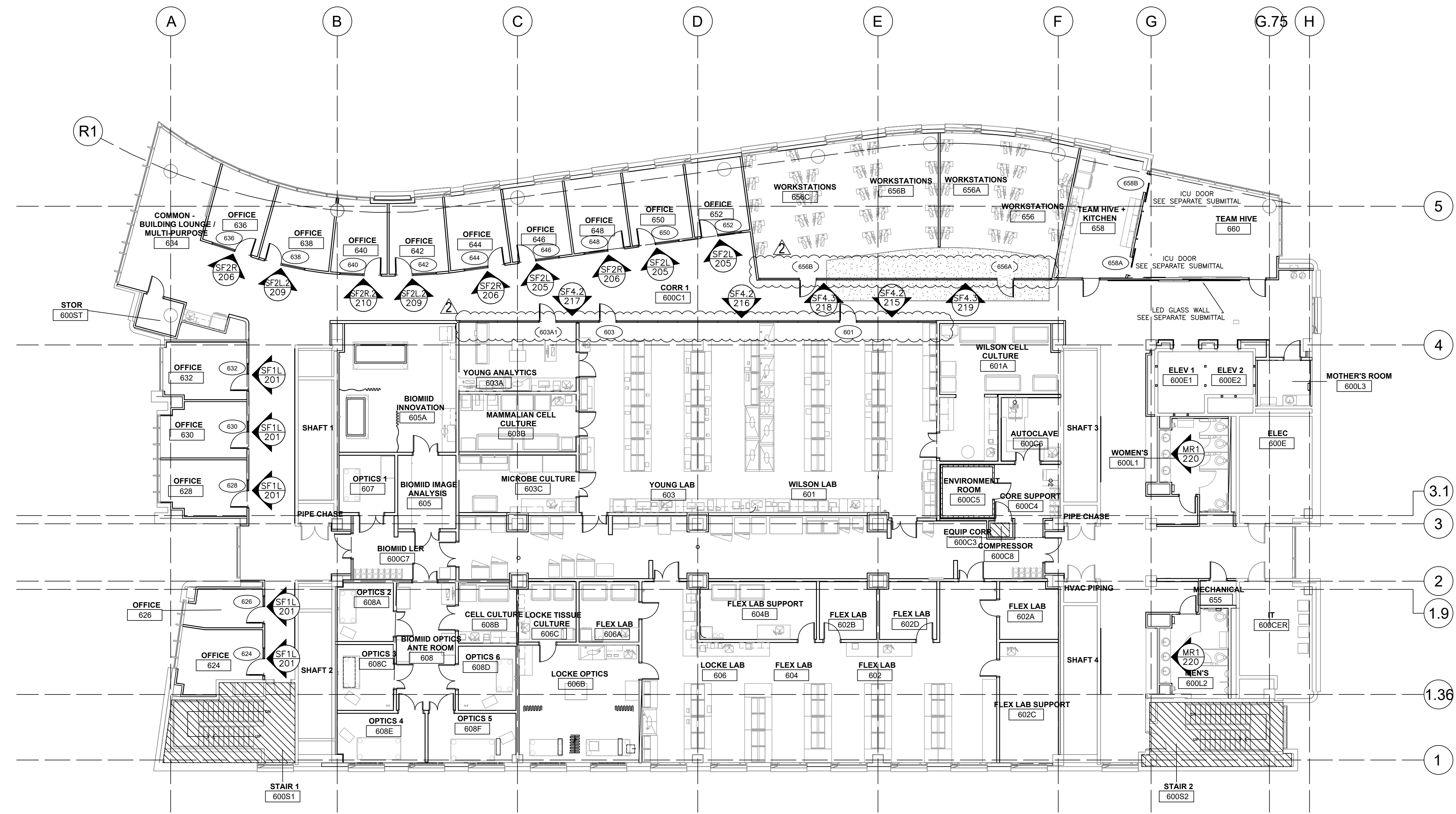


1 FLOOR PLAN - LEVEL 5
ARCH. REF.: A-205

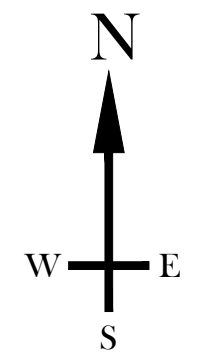




NO.	DATE	REVISION
1.1	02.20.23	DRAFT FOR ANI REVIEW
1.2	03.09.23	1ST REVISION
1.3	04.20.23	1ST REVISION
SUBMITTAL / REVISION		
BY: BG, BG, BG		
JOB NO.		
REV. NO.		

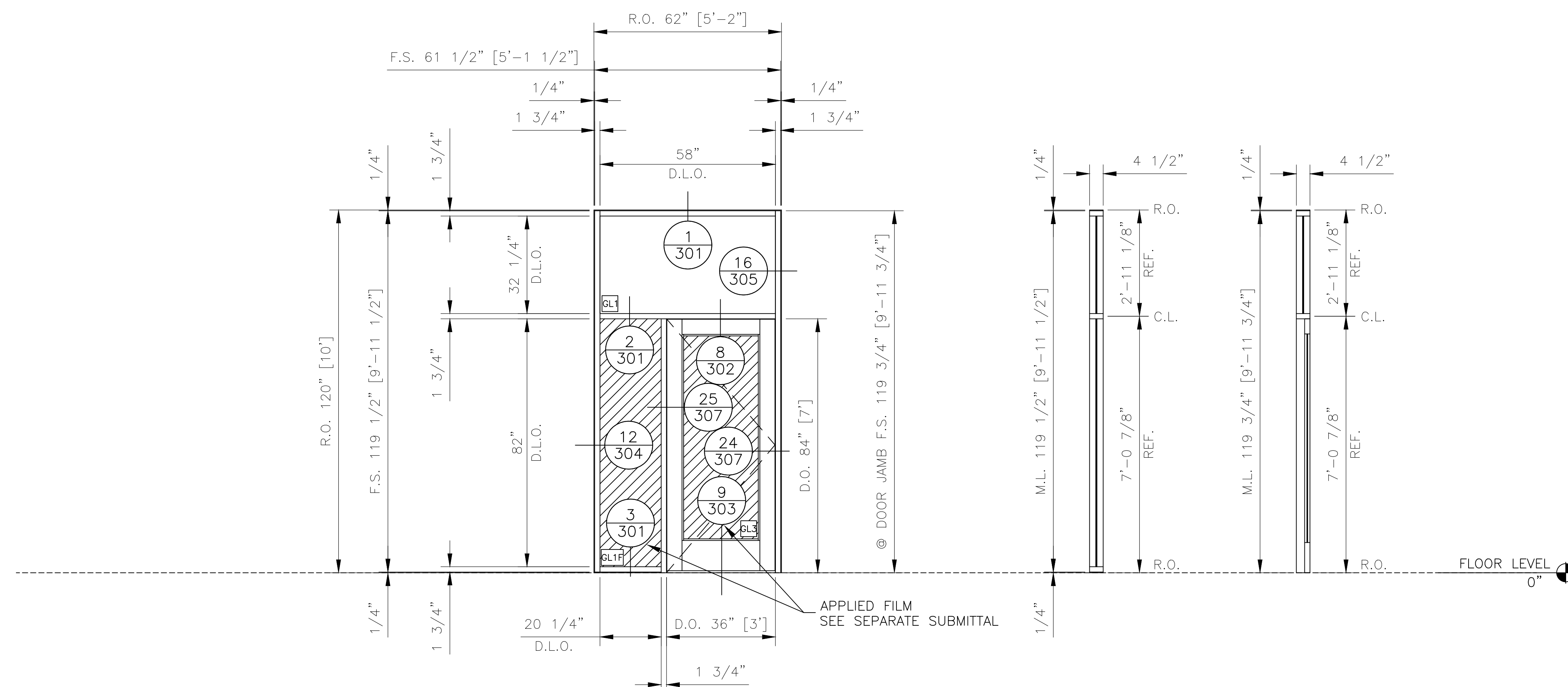


1 FLOOR PLAN - LEVEL 6
ARCH. REF.: A-206



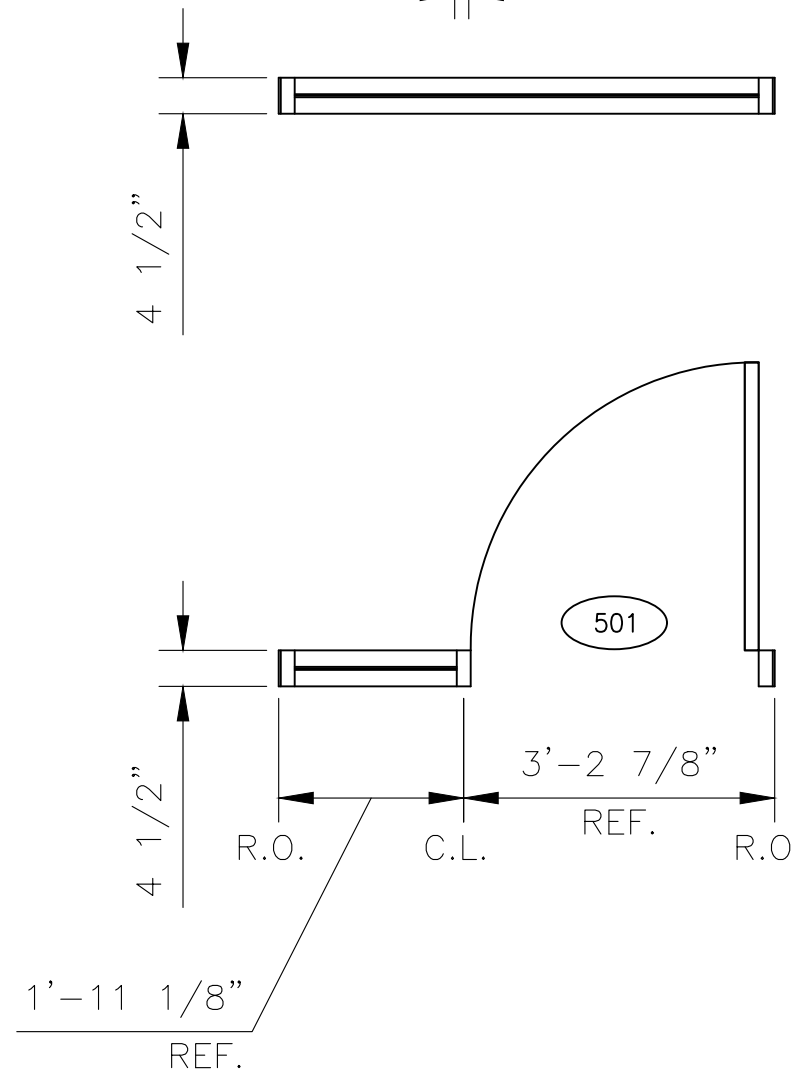
NO.	DATE	BY	REVISION / SUBMITTAL
1.1	02.09.23	BG	DRAFT FOR AN REVIEW
1.2	03.09.23	BG	1ST REVISION
1.3	04.20.23	BG	1ST REVISION

JOB NO.	
REV. NO.	



STOREFRONT TYPE 'SF1R' (1) REQ'D

LOCATION: 5TH FLOOR (ROOM 501)
OLDCASTLE B.E. FG-2000 INTERIOR STOREFRONT
ARCHITECTURAL REF.: N/A

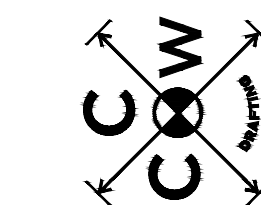


NOTE - ALL DIMENSIONS
TO BE FIELD VERIFIED
PRIOR TO FABRICATION

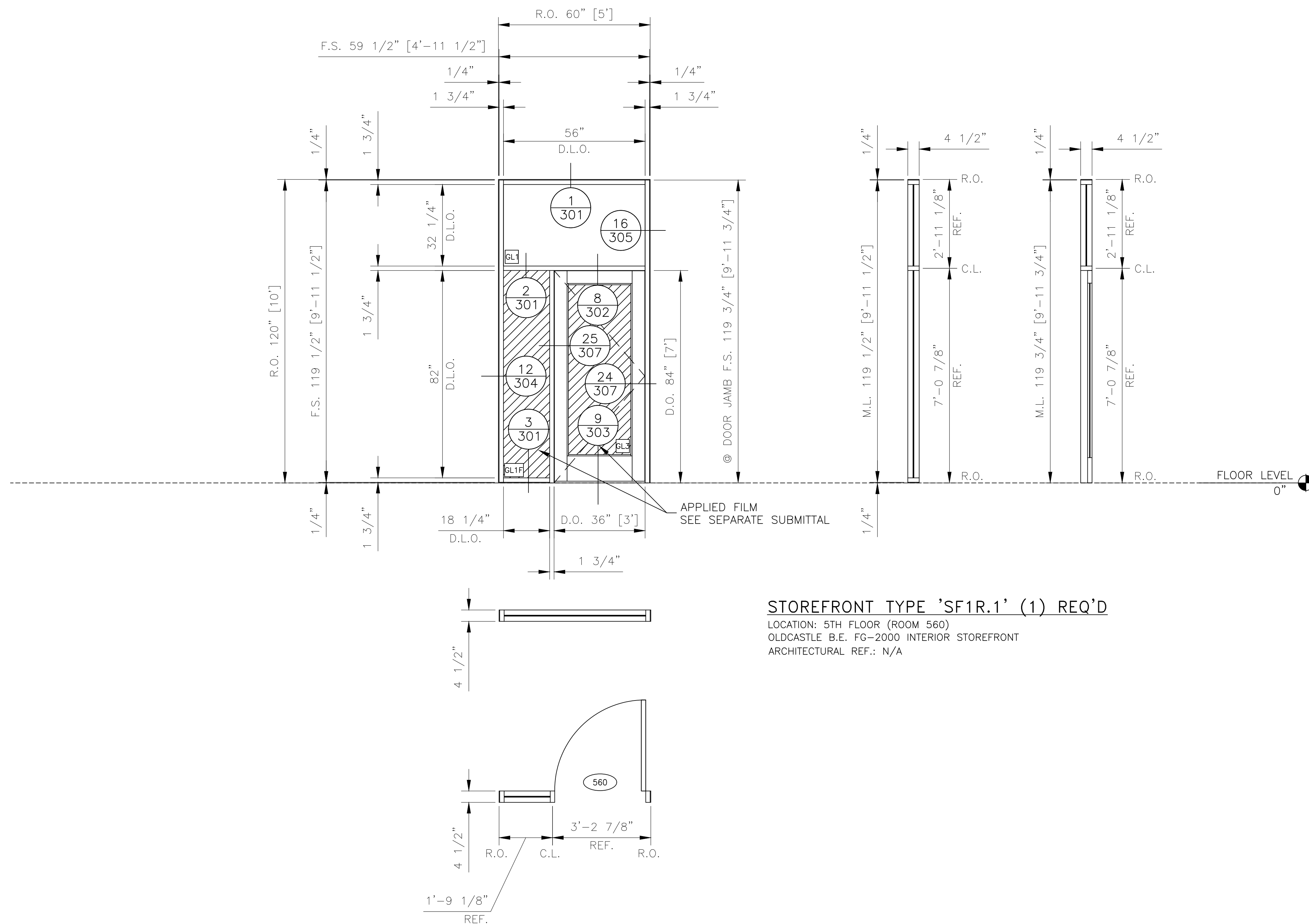
SCOPE:
SHOP DRAWINGS
FOR (SCOPE OF
WORK)

PROJECT:
VANDERBILT UNIVERSITY
ENGINEERING AND SCIENCE
BUILDING - LEVEL 5 & 6 FITOUT
2414 HIGHLAND AVE.
NASHVILLE, TN 37212

**ALEXANDER
METALS INC.**
ARCHITECTURAL PRODUCT SPECIALISTS
487 CAVE RD NASHVILLE, TENNESSEE 37210
PHONE: (615) 256-8070 - FAX: (615) 256-9523
www.AlexanderMetalsInc.com



NO.	DATE	REVISION
1.1	02.20.23	DRAFT FOR AM REVIEW
1.2	03.09.23	1ST REVISION
1.3	04.20.23	1ST REVISION
SUBMITTAL / REVISION		
BY: BG		
JOB NO.		
REV. NO.		



STOREFRONT TYPE 'SF1R.1' (1) REQ'D

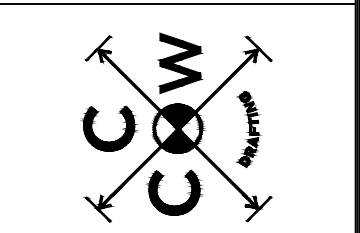
LOCATION: 5TH FLOOR (ROOM 560)
OLDCASTLE B.E. FG-2000 INTERIOR STOREFRONT
ARCHITECTURAL REF.: N/A

NOTE - ALL DIMENSIONS
TO BE FIELD VERIFIED
PRIOR TO FABRICATION

SCOPE:
SHOP DRAWINGS
FOR (SCOPE OF
WORK)

PROJECT:
VANDERBILT UNIVERSITY
ENGINEERING AND SCIENCE
BUILDING - LEVEL 5 & 6 FITOUT
2414 HIGHLAND AVE.
NASHVILLE, TN 37212

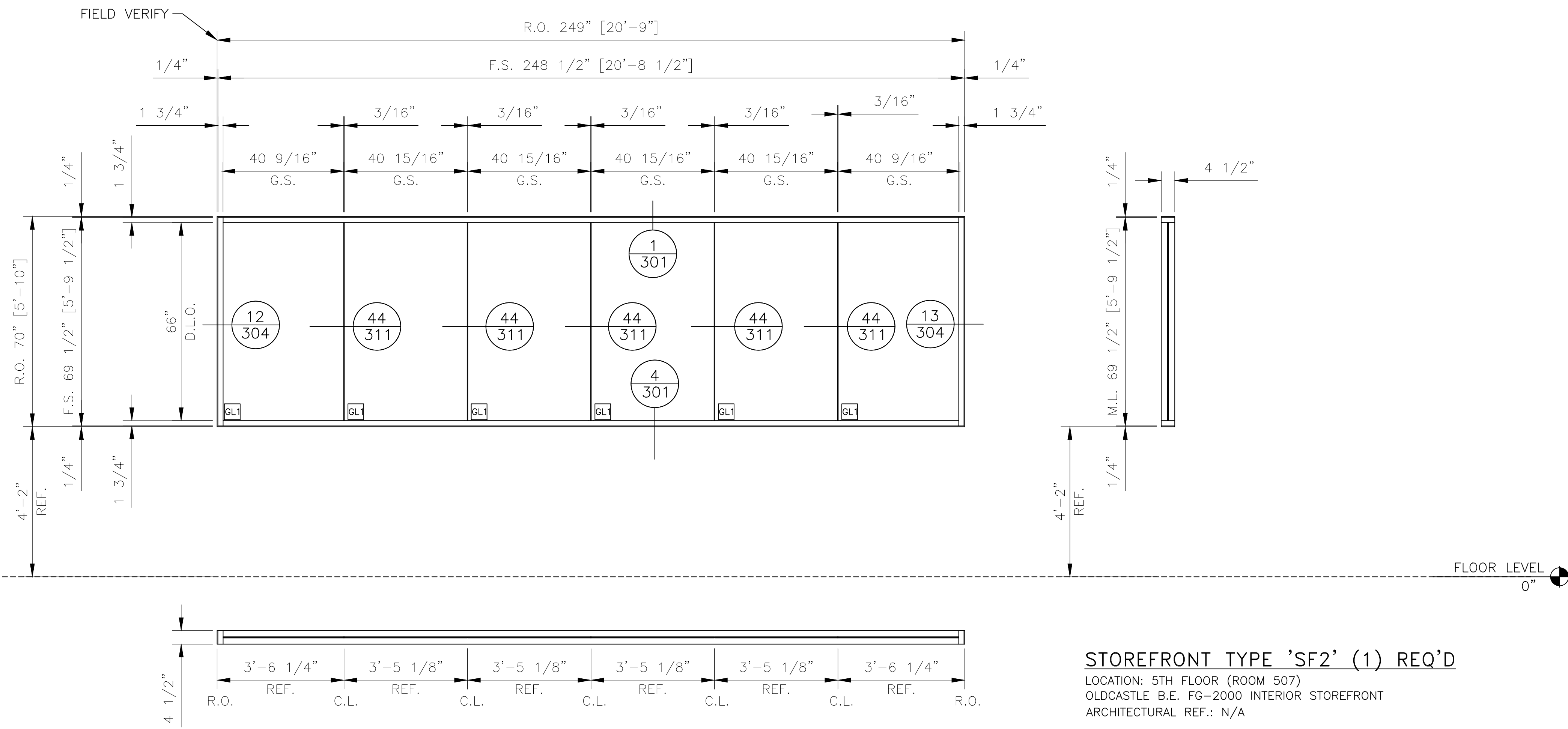
**ALEXANDER
METALS INC.**
ARCHITECTURAL PRODUCT SPECIALISTS
187 CAVE RD NASHVILLE, TENNESSEE 37210
PHONE: (615) 256-8070 FAX: (615) 256-9523
www.AlexanderMetalsInc.com



NO.	DATE	BY	REVISION
1.1	02.20.23	BG	DRAFT FOR ANI REVIEW
1.2	03.09.23	BG	1ST REVISION
1.3	04.20.23	BG	1ST REVISION

JOB NO.

REV. NO.



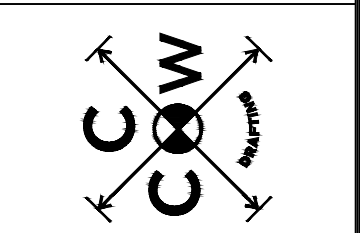
STOREFRONT TYPE 'SF2' (1) REQ'D
 LOCATION: 5TH FLOOR (ROOM 507)
 OLDCASTLE B.E. FG-2000 INTERIOR STOREFRONT
 ARCHITECTURAL REF.: N/A

NOTE - ALL DIMENSIONS
 TO BE FIELD VERIFIED
 PRIOR TO FABRICATION

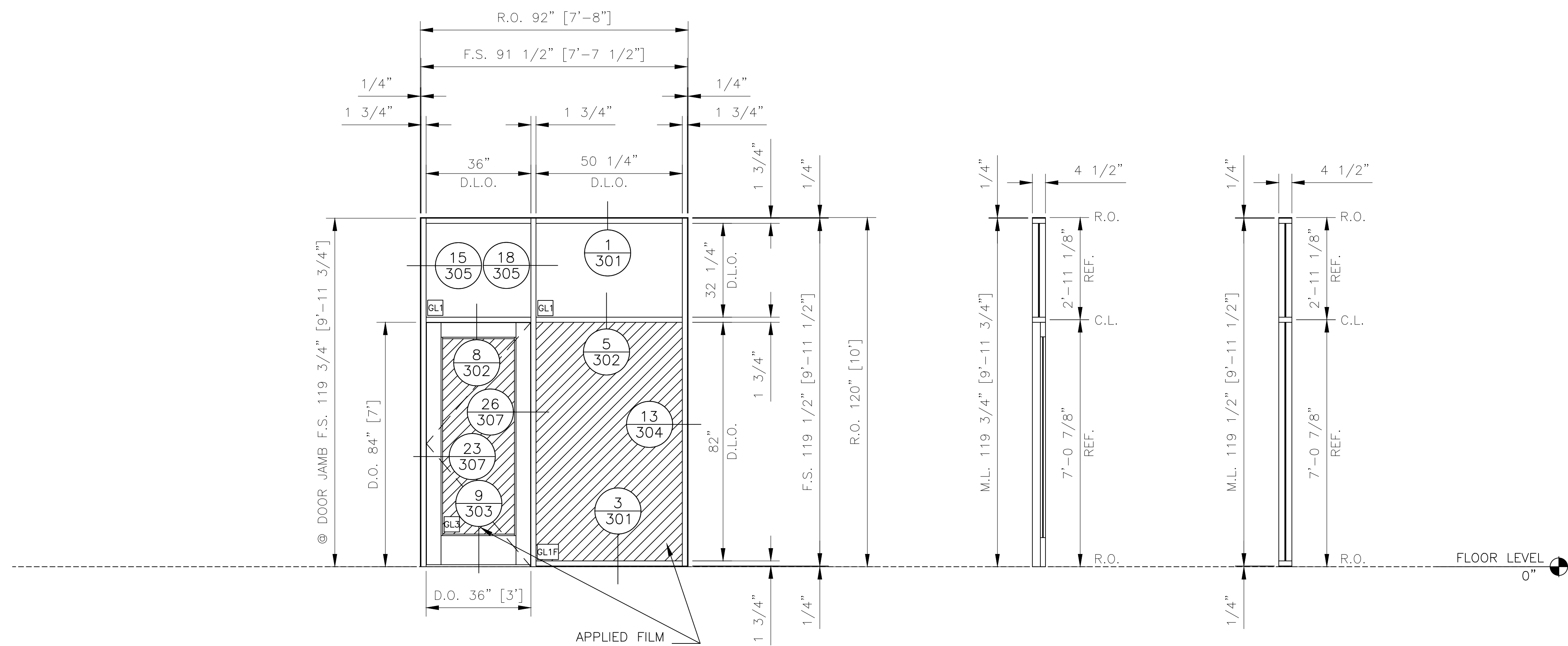
SCOPE:
SHOP DRAWINGS
FOR (SCOPE OF
WORK)

PROJECT:
VANDERBILT UNIVERSITY
ENGINEERING AND SCIENCE
BUILDING - LEVEL 5 & 6 FITOUT
2414 HIGHLAND AVE.
NASHVILLE, TN 37212

**ALEXANDER
METALS INC.**
ARCHITECTURAL PRODUCT SPECIALISTS
487 CAVE RD NASHVILLE, TENNESSEE 37210
PHONE: (615) 256-8070 FAX: (615) 256-9523
www.AlexanderMetalsInc.com

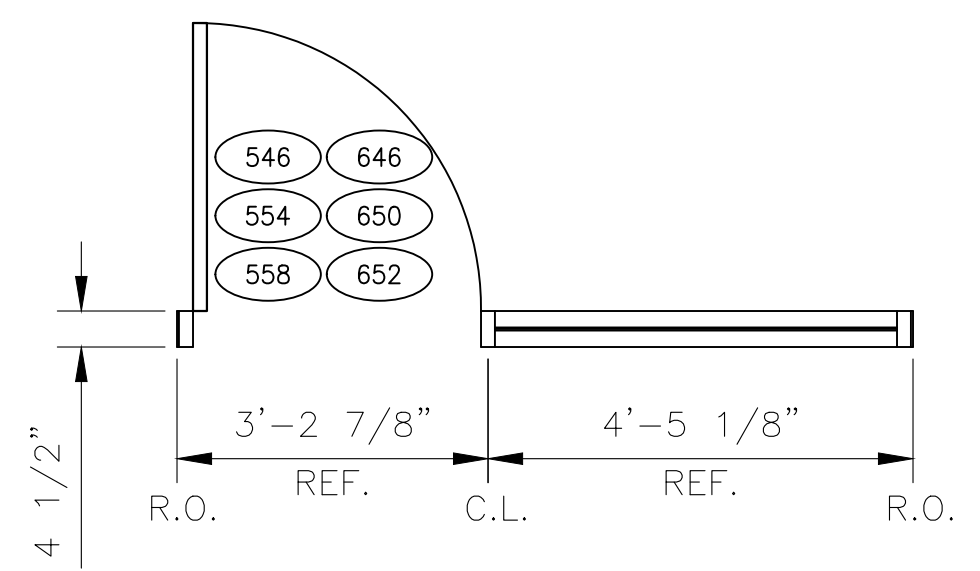
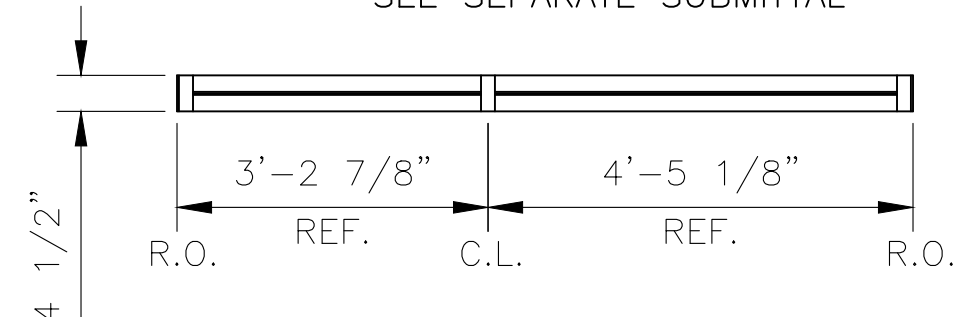


NO.	DATE	REVISION / SUBMITTAL
1.1	02.09.23	DRAFT FOR AM REVIEW
1.2	03.09.23	1ST REVISION
1.3	04.20.23	1ST REVISION



APPLIED FILM
SEE SEPARATE SUBMITTAL

STOREFRONT TYPE 'SF2L' (6) REQ'D
LOCATION: FLOORS 5-6 (OFFICE 546) (OFFICE 554) (OFFICE 558)
(OFFICE 646) (OFFICE 650) (OFFICE 652)
OLDCASTLE B.E. FG-2000 INTERIOR STOREFRONT
ARCHITECTURAL REF.: N/A

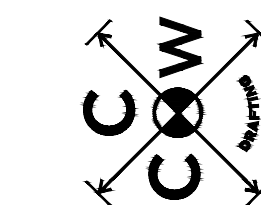


NOTE - ALL DIMENSIONS
TO BE FIELD VERIFIED
PRIOR TO FABRICATION

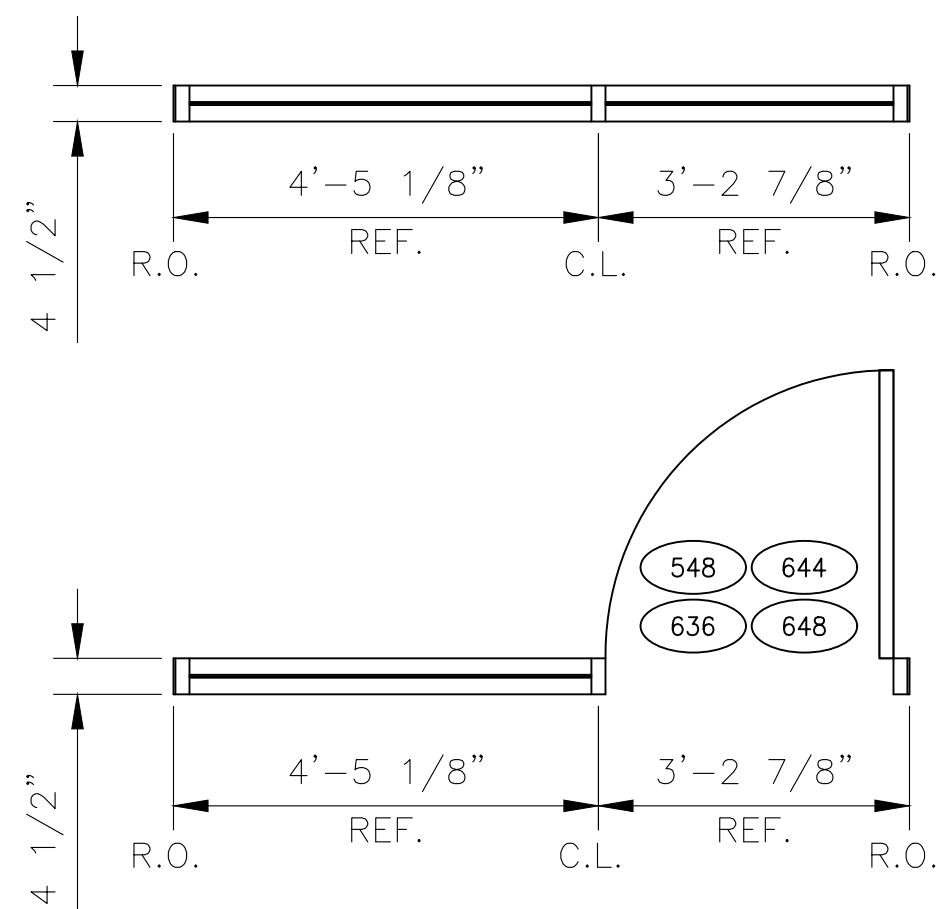
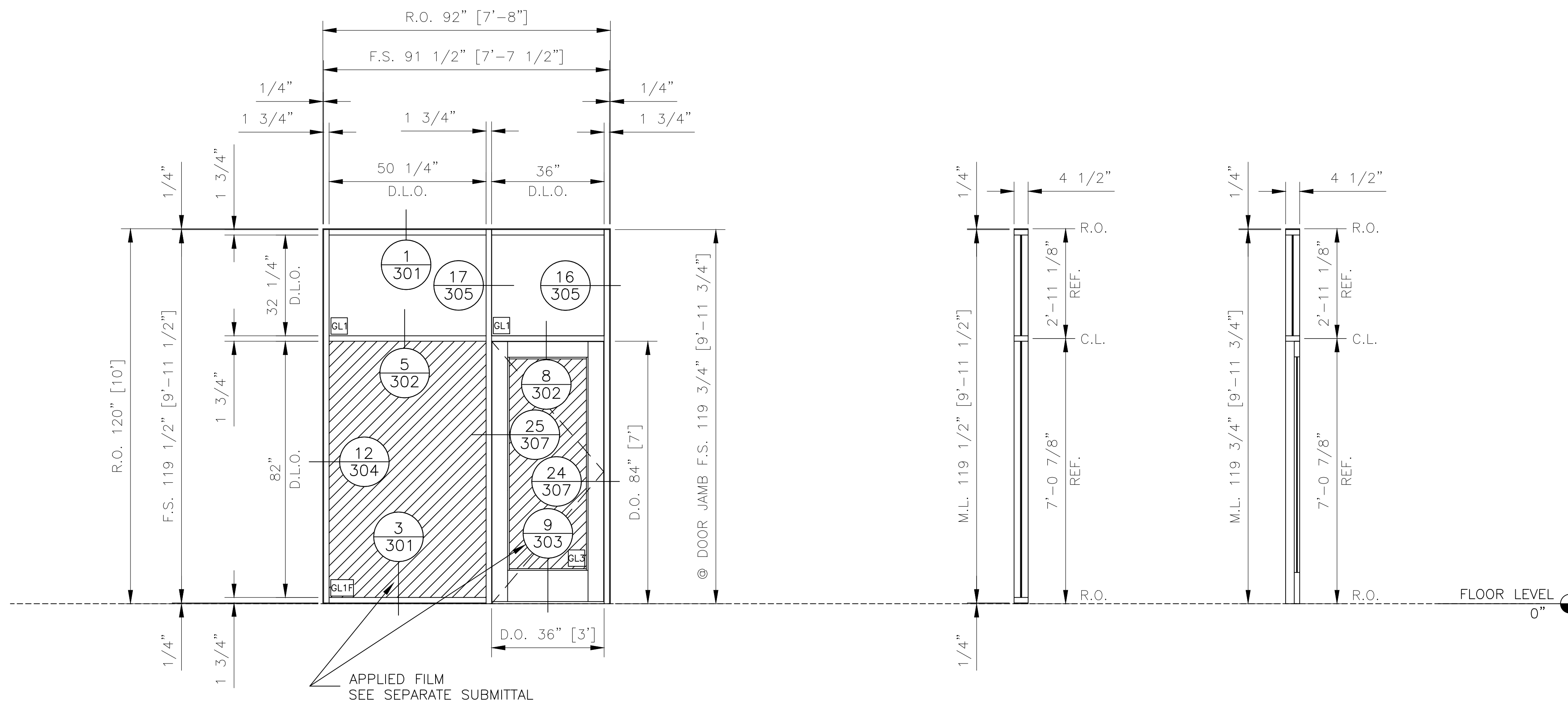
SCOPE:
SHOP DRAWINGS
FOR (SCOPE OF
WORK)

PROJECT:
VANDERBILT UNIVERSITY
ENGINEERING AND SCIENCE
BUILDING - LEVEL 5 & 6 FITOUT
2414 HIGHLAND AVE.
NASHVILLE, TN 37212

**ALEXANDER
METALS INC.**
ARCHITECTURAL PRODUCT SPECIALISTS
487 CAVE RD NASHVILLE, TENNESSEE 37210
PHONE: (615) 256-8070 FAX: (615) 256-9523
www.AlexanderMetalsInc.com



NO.	DATE	REVISION
1.1	02.20.23	DRAFT FOR ANI REVIEW
1.2	03.09.23	1ST REVISION
1.3	04.20.23	1ST REVISION
SUBMITTAL / REVISION		
BY: BG		
JOB NO.		
REV. NO.		



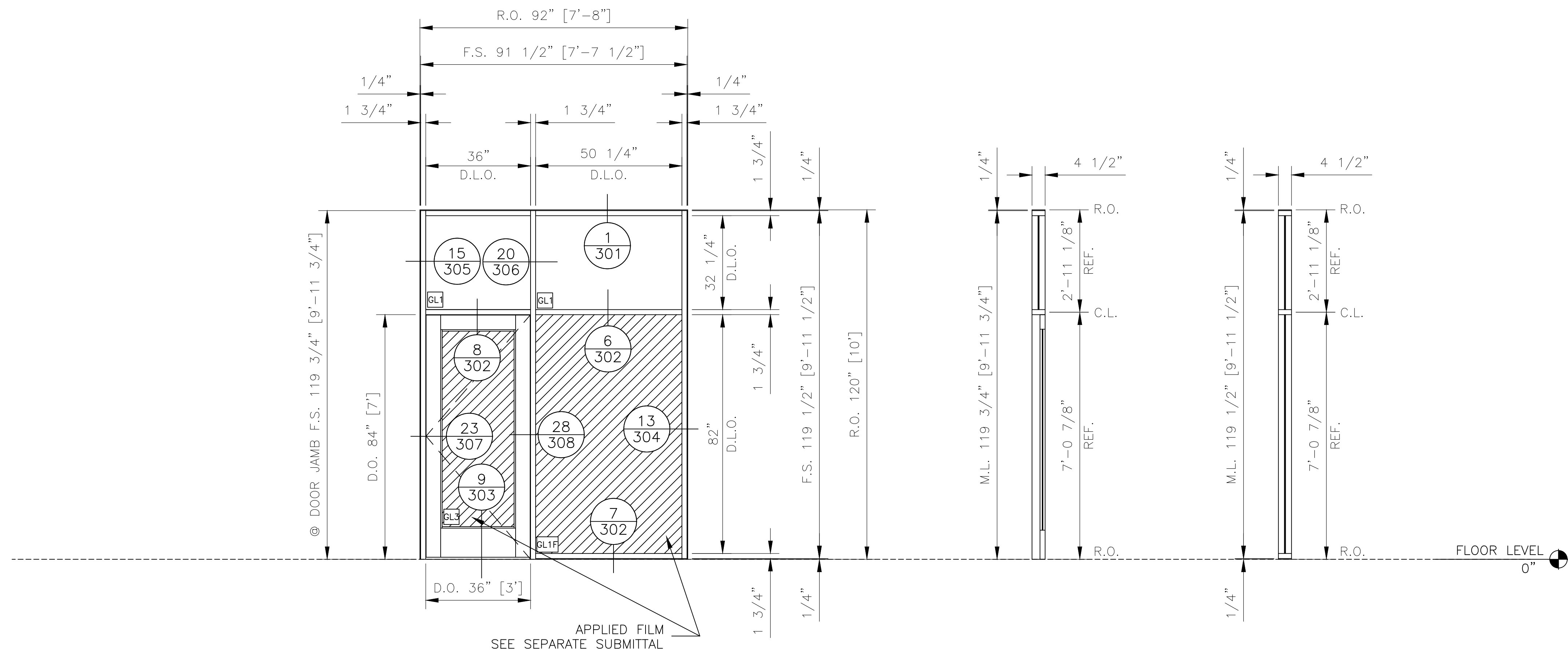
STOREFRONT TYPE 'SF2R' (4) REQ'D

LOCATION: FLOORS 5-6 (OFFICE 548) (OFFICE 636)
(OFFICE 644) (OFFICE 648)
OLDCASTLE B.E. FG-2000 INTERIOR STOREFRONT
ARCHITECTURAL REF.: N/A

NOTE - ALL DIMENSIONS
TO BE FIELD VERIFIED
PRIOR TO FABRICATION

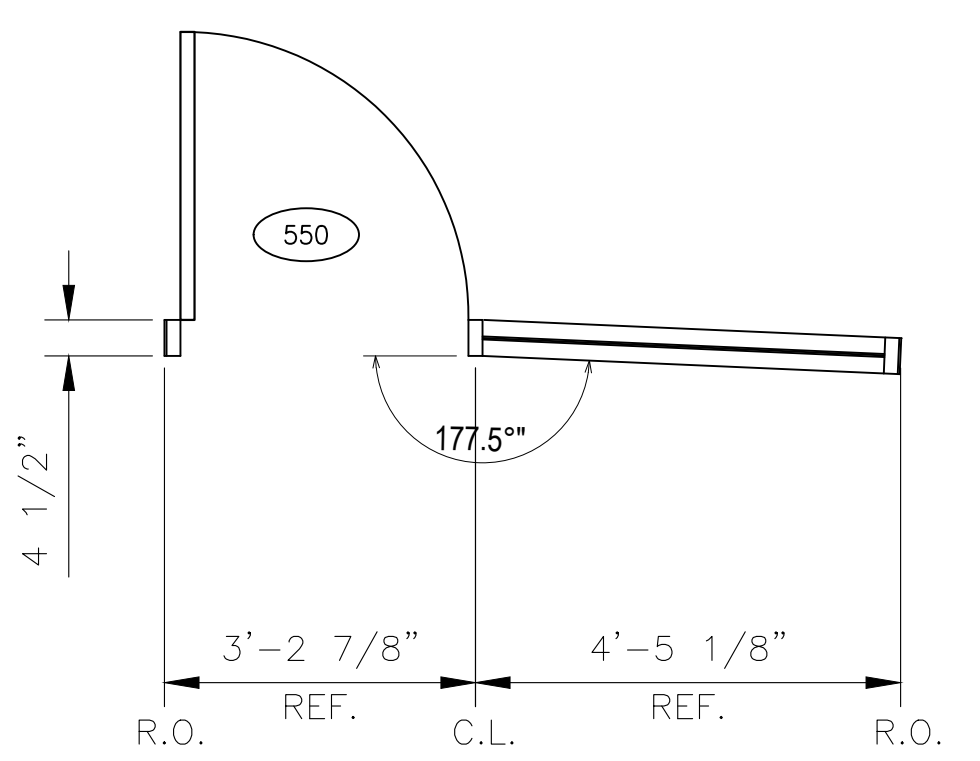
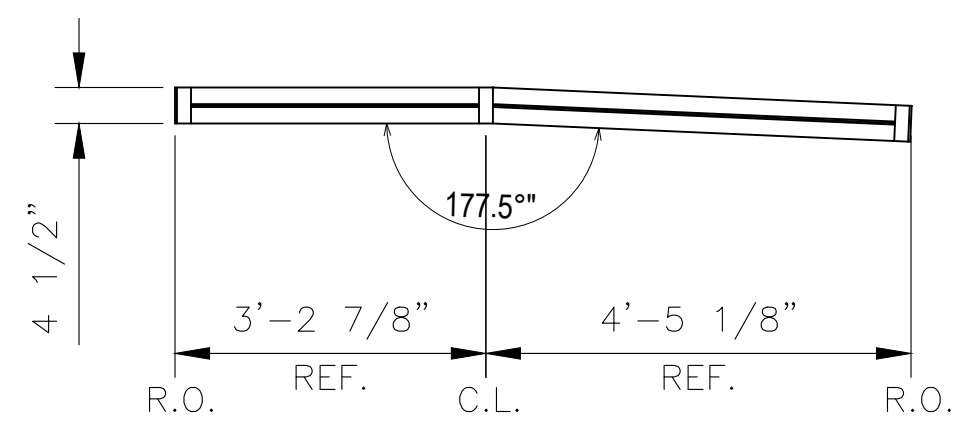
NO.	DATE	REVISION
1.1	02.20.23	DRAFT FOR ANI REVIEW
1.2	03.09.23	1ST REVISION
1.3	04.20.23	1ST REVISION

BY	BG	
BY	BG	
BY	BG	

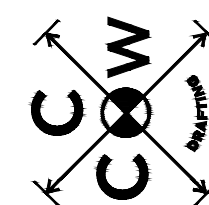


STOREFRONT TYPE 'SF2L.1' (1) REQ'D

LOCATION: 5TH FLOOR (OFFICE 550)
OLDCASTLE B.E. FG-2000 INTERIOR STOREFRONT
ARCHITECTURAL REF.: N/A

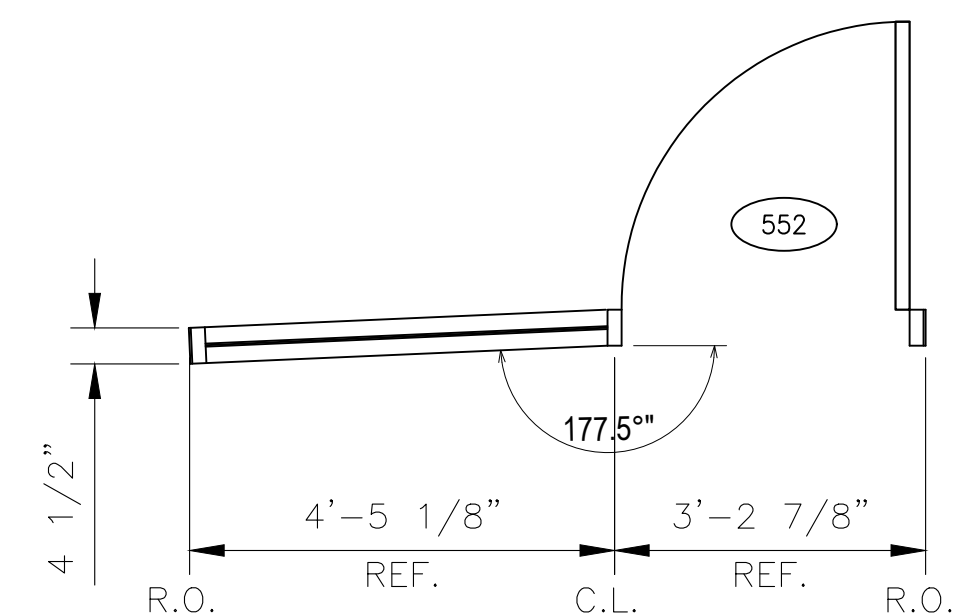
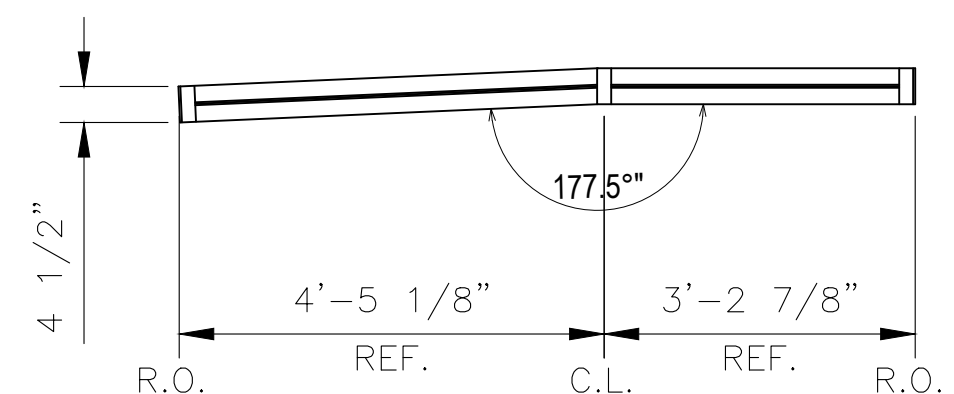
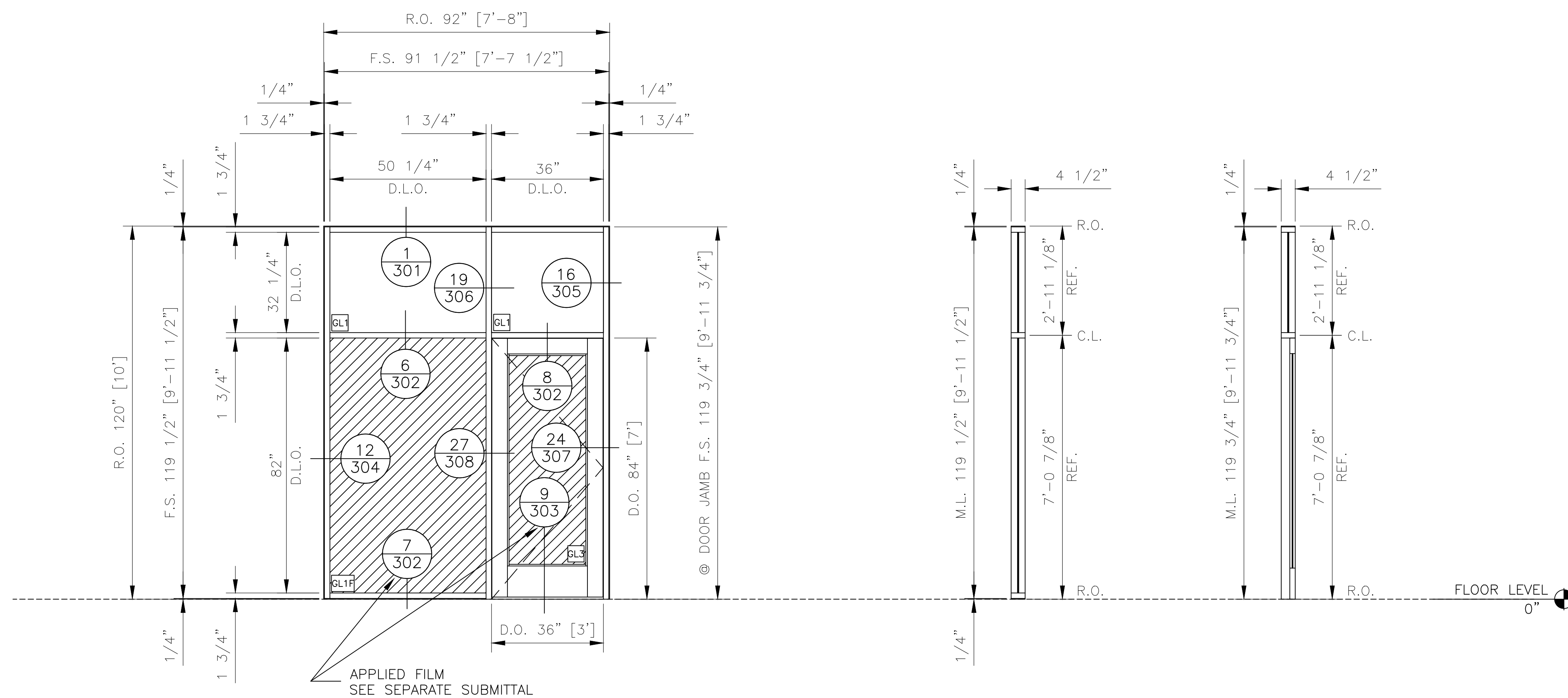


NOTE - ALL DIMENSIONS
TO BE FIELD VERIFIED
PRIOR TO FABRICATION



NO.	DATE	REVISION
1.1	02.20.23	DRAFT FOR AM REVIEW
1.2	03.09.23	1ST REVISION
1.3	04.20.23	1ST REVISION

JOB NO.	
REV. NO.	



STOREFRONT TYPE 'SF2R.1' (1) REQ'D

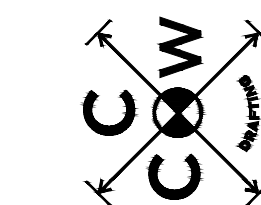
LOCATION: 5TH FLOOR (OFFICE 552)
OLDCASTLE B.E. FG-2000 INTERIOR STOREFRONT
ARCHITECTURAL REF.: N/A

NOTE - ALL DIMENSIONS
TO BE FIELD VERIFIED
PRIOR TO FABRICATION

SCOPE:
SHOP DRAWINGS
FOR (SCOPE OF
WORK)

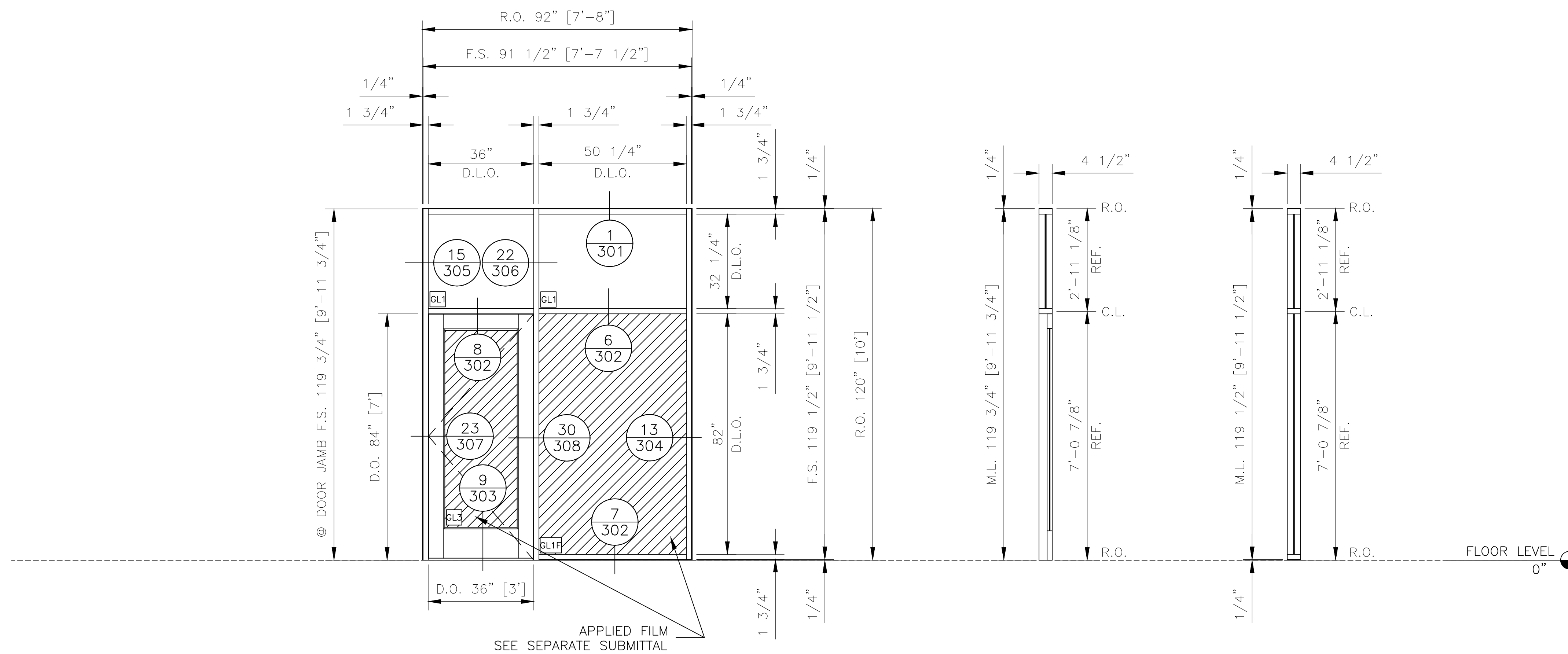
PROJECT:
VANDERBILT UNIVERSITY
ENGINEERING AND SCIENCE
BUILDING - LEVEL 5 & 6 FITOUT
2414 HIGHLAND AVE.
NASHVILLE, TN 37212

**ALEXANDER
METALS INC.**
ARCHITECTURAL PRODUCT SPECIALISTS
487 CAVE RD NASHVILLE, TENNESSEE 37210
PHONE: (615) 256-8070 FAX: (615) 256-9523
www.AlexanderMetalsInc.com



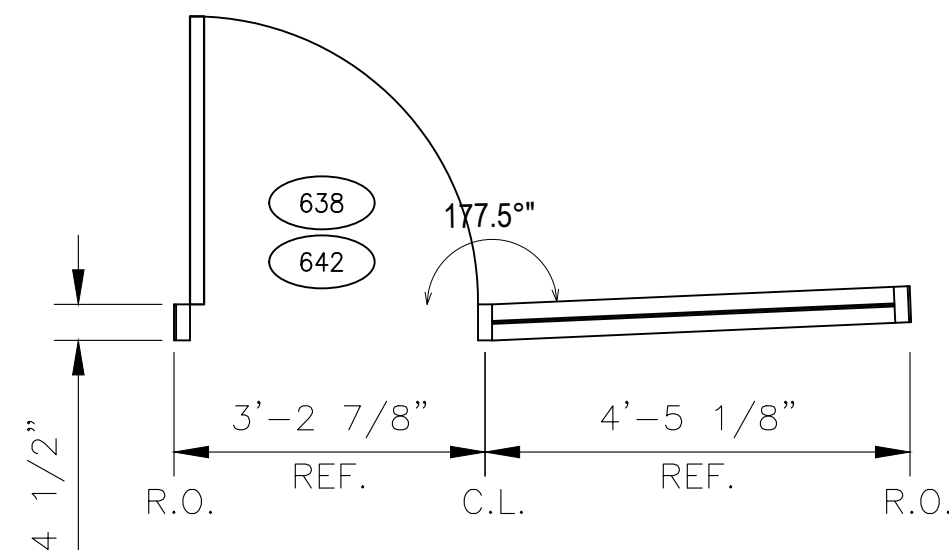
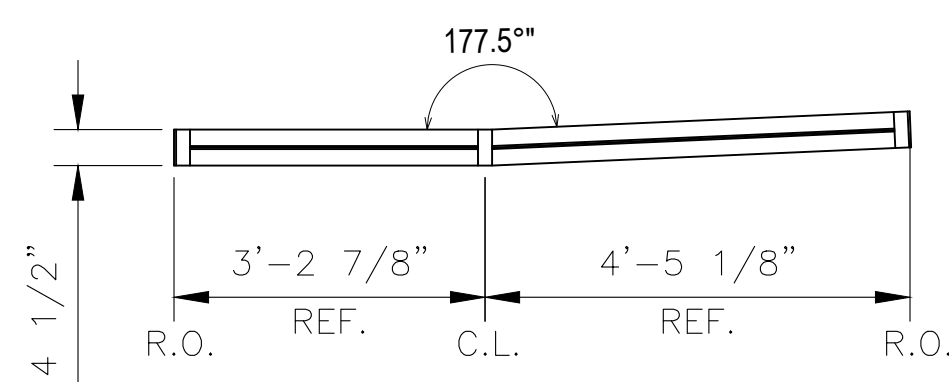
NO.	DATE	REVISION
1.1	02.20.23	DRAFT FOR AM REVIEW
1.2	03.09.23	1ST REVISION
1.3	04.20.23	1ST REVISION

JOB NO.
REV. NO.



STOREFRONT TYPE 'SF2L.2' (2) REQ'D

LOCATION: 6TH FLOOR (OFFICE 638) (OFFICE 642)
OLDCASTLE B.E. FG-2000 INTERIOR STOREFRONT
ARCHITECTURAL REF.: N/A

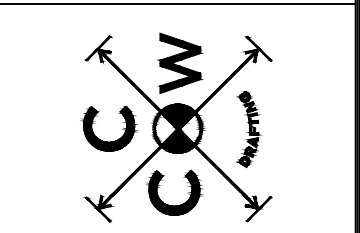


NOTE - ALL DIMENSIONS
TO BE FIELD VERIFIED
PRIOR TO FABRICATION

SCOPE:
SHOP DRAWINGS
FOR (SCOPE OF
WORK)

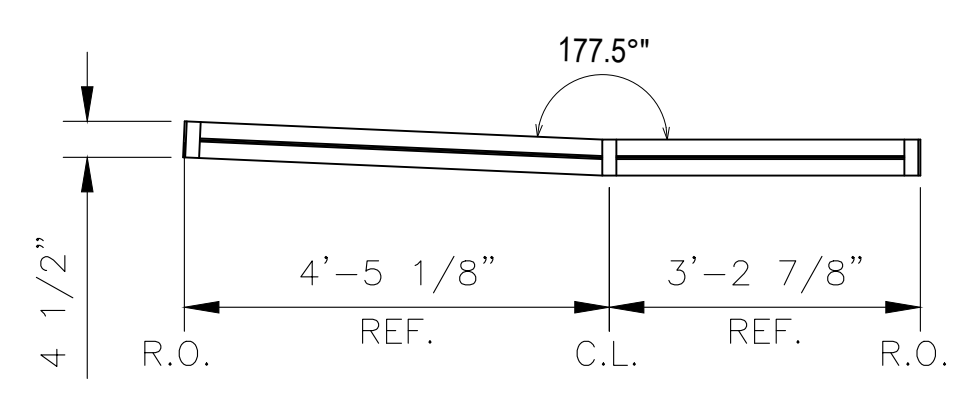
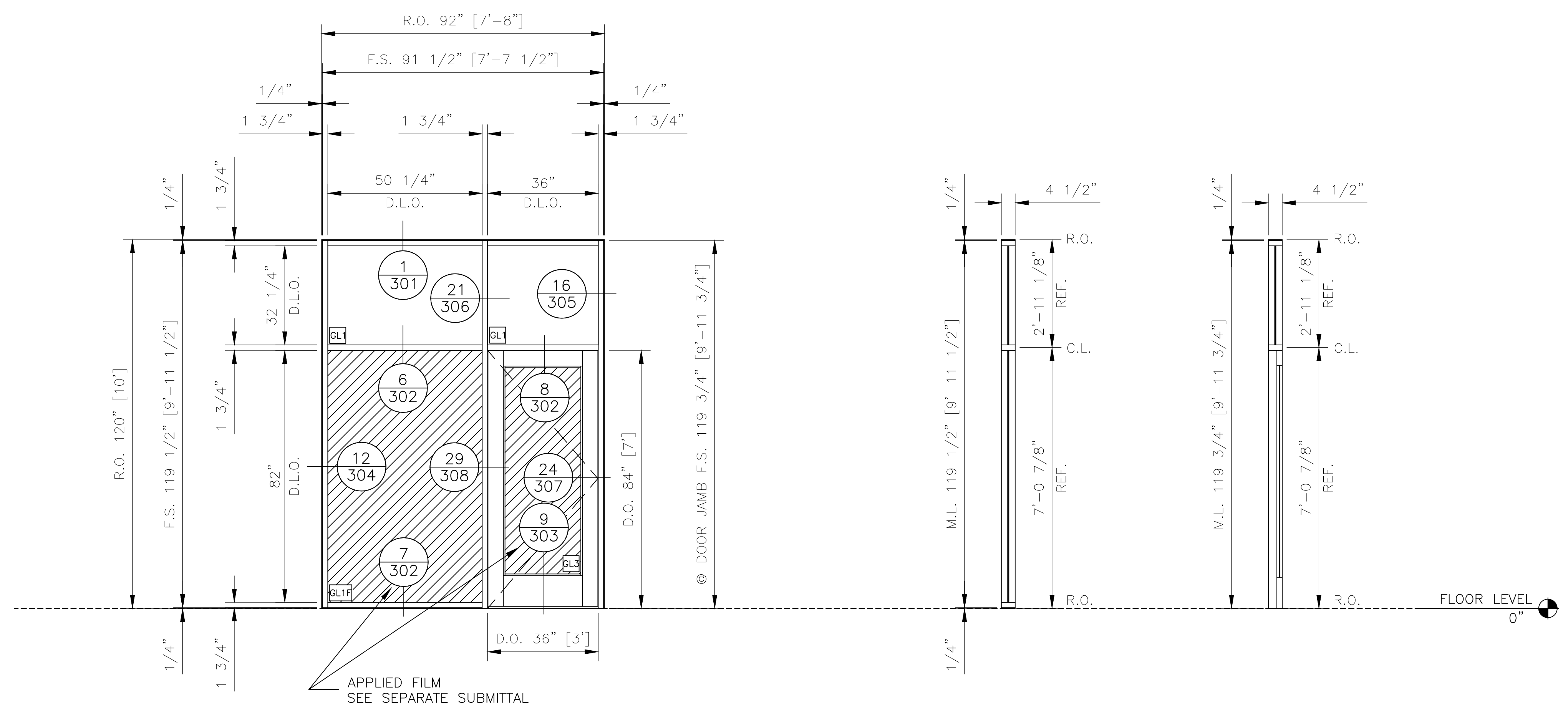
PROJECT:
VANDERBILT UNIVERSITY
ENGINEERING AND SCIENCE
BUILDING - LEVEL 5 & 6 FITOUT
2414 HIGHLAND AVE.
NASHVILLE, TN 37212

**ALEXANDER
METALS INC.**
ARCHITECTURAL PRODUCT SPECIALISTS
487 CAVE RD NASHVILLE, TENNESSEE 37210
PHONE: (615) 256-8070 FAX: (615) 256-9523
www.AlexanderMetalsInc.com



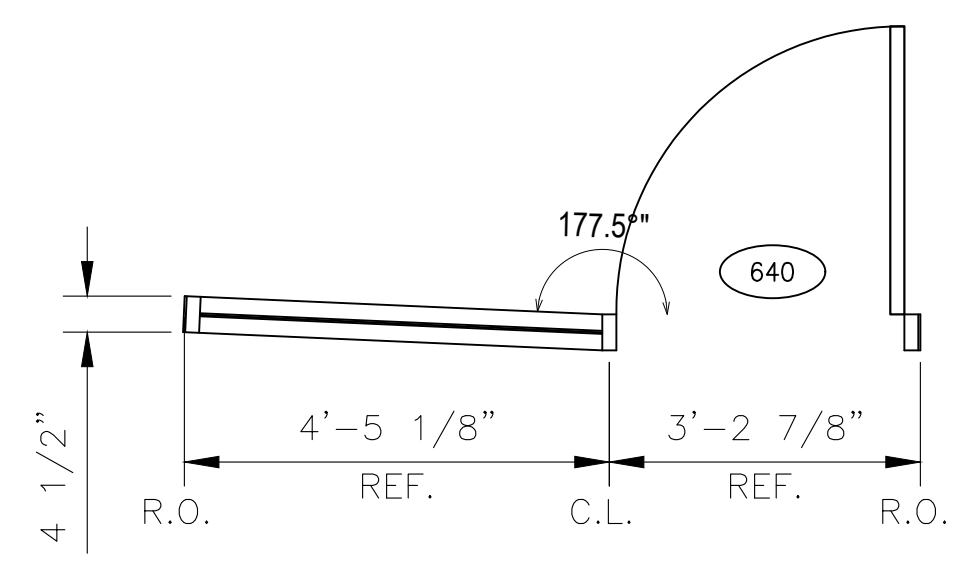
NO.	DATE	REVISION
1.1	02.20.23	DRAFT FOR ANI REVIEW
1.2	03.09.23	1ST REVISION
1.3	04.20.23	1ST REVISION

JOB NO. _____
REV. NO. _____

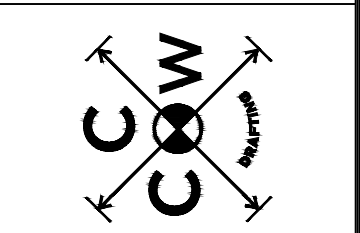


STOREFRONT TYPE 'SF2R.2' (1) REQ'D

LOCATION: 6TH FLOOR (OFFICE 640)
OLDCASTLE B.E. FG-2000 INTERIOR STOREFRONT
ARCHITECTURAL REF.: N/A



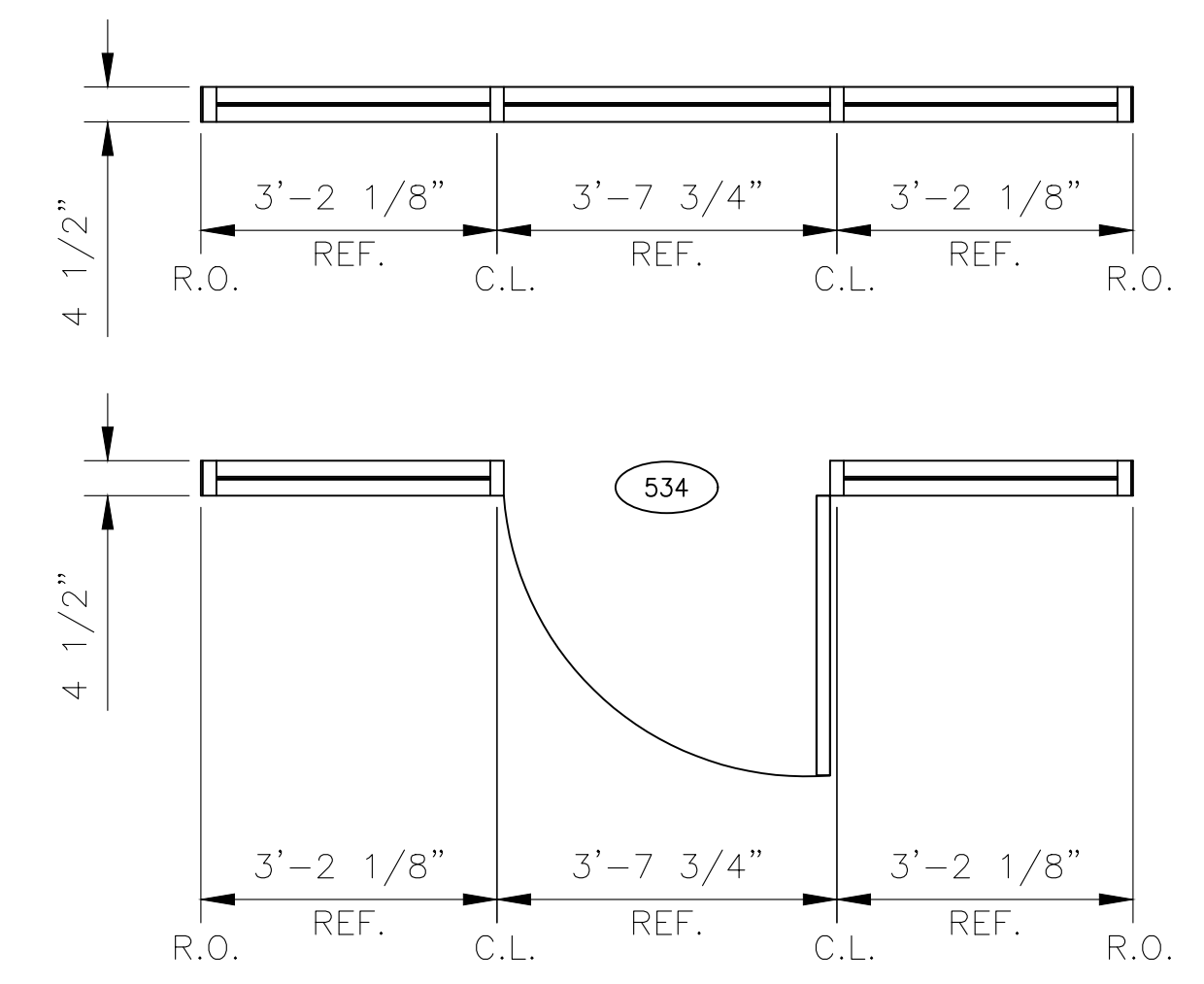
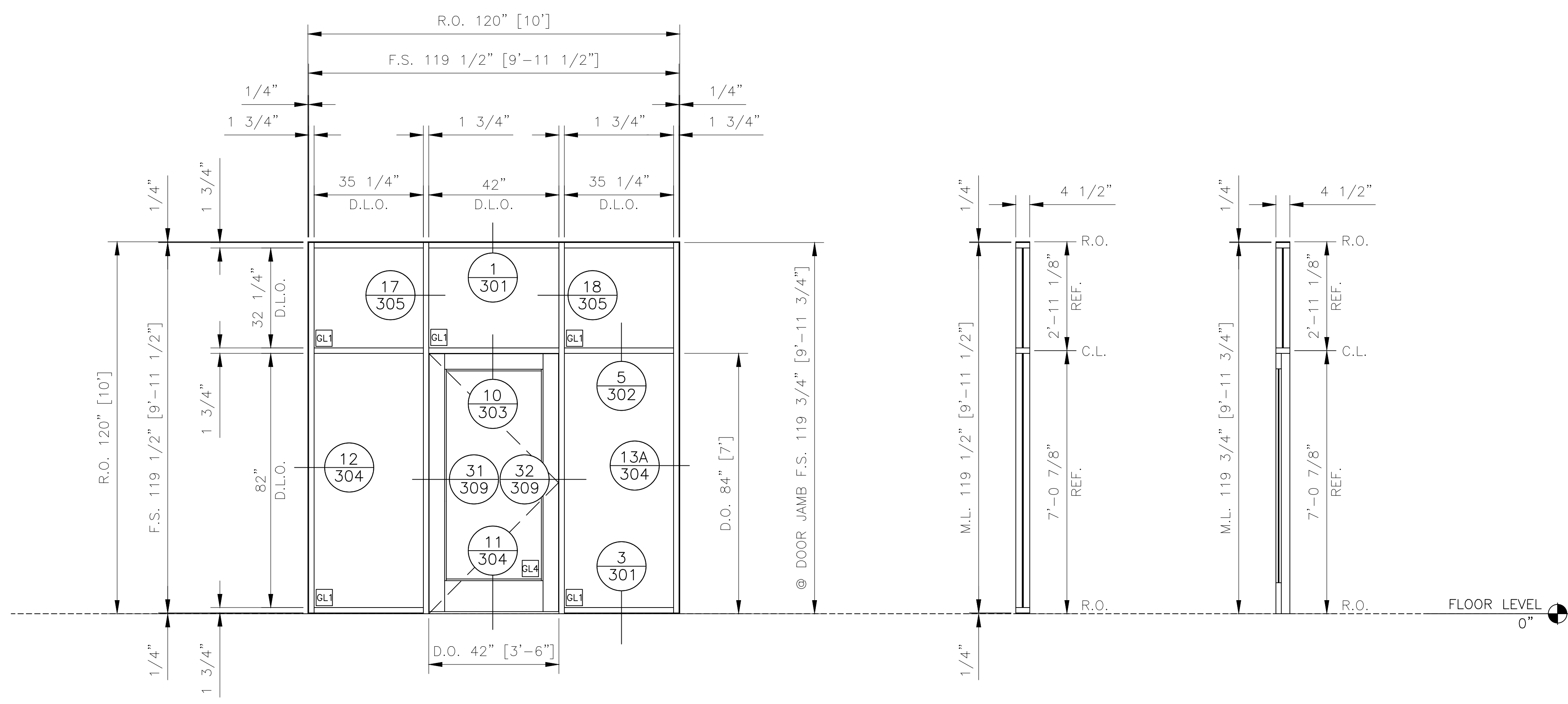
NOTE - ALL DIMENSIONS
TO BE FIELD VERIFIED
PRIOR TO FABRICATION



NO.	DATE	REVISION
1.1	02.09.23	DRAFT FOR ANI REVIEW
1.2	03.09.23	1ST REVISION
1.3	04.20.23	1ST REVISION

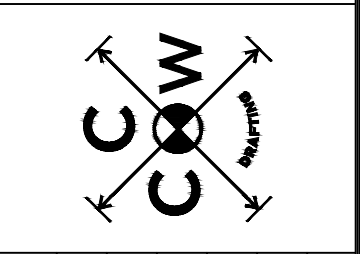
BY	BG	BG	BG
----	----	----	----

NO.	DATE	REVISION
-----	------	----------



STOREFRONT TYPE 'SF3' (1) REQ'D
 LOCATION: 5TH FLOOR (CONFERENCE ROOM 534)
 OLDCASTLE B.E. FG-2000 INTERIOR STOREFRONT
 ARCHITECTURAL REF.: N/A

NOTE - ALL DIMENSIONS
 TO BE FIELD VERIFIED
 PRIOR TO FABRICATION



NO.	DATE	REVISION
1.1	02.09.23	DRAW FOR AN REVIEW
1.2	03.09.23	1ST REVISION
1.3	04.20.23	1ST REVISION

2

E

D

0'-2 1/2"
REF.

33'-0"
REF.

1/4"
2"

3/4"

2"
3/4"

3/16"

3/16"

3/16"

3/16"

3/16"

3/16"

3/16"

3/16"

1/4"
4 1/2"

1/4"
4 1/2"

1/4"

2"

31 3/4"
D.L.O.

44 1/4"
D.L.O.

34 1/2"
D.L.O.

43 5/16"
G.S.

43 13/16"
G.S.

43 13/16"
G.S.

43 13/16"
G.S.

43 13/16"
G.S.

43 13/16"
G.S.

43 13/16"
G.S.

43 13/16"
G.S.

43 13/16"
G.S.

43 13/16"
G.S.

M.L. 119 1/2" [9'-11 1/2"]

M.L. 119 3/4" [9'-11 3/4"]

R.O. 120" [10']

@ DOOR JAMB F.S. 119 3/4" [9'-11 3/4"]

F.S. 119 1/2" [9'-11 1/2"]

115 1/2"
D.L.O.

D.O. 84" [7']

37
310A

38
310A

33
309

41
311

39
310A

40
310A

45
311

45
311

45
311

45
311

45
311

45
311

45
311

45
311

1

2

3

4

5

6

7

8

9

10

11

D.O. 36" [3']

4 1/2"

R.O.

3'-11 1/2"
REF.

3'-2"
REF.

3'-8"
REF.

3'-8"
REF.

3'-8"
REF.

3'-8"
REF.

3'-8"
REF.

3'-8"
REF.

3'-8"
REF.

3'-8"
REF.

3'-8"
REF.

4 1/2"

R.O.

3'-11 1/2"
REF.

3'-2"
REF.

3'-8"
REF.

3'-8"
REF.

3'-8"
REF.

3'-8"
REF.

3'-8"
REF.

3'-8"
REF.

3'-8"
REF.

3'-8"
REF.

3'-8"
REF.

STOREFRONT TYPE 'SF4.1' (1) REQ'D

LOCATION: 5TH FLOOR (BREAKOUT 544)
OLDCASTLE B.E. FG-3000 INTERIOR STOREFRONT
ARCHITECTURAL REF.: N/A

NOTE - ALL DIMENSIONS
TO BE FIELD VERIFIED
PRIOR TO FABRICATION

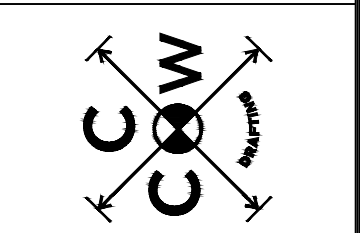
MATCH LINE 212

MATCH LINE 213

SCOPE:
SHOP DRAWINGS
FOR (SCOPE OF
WORK)

PROJECT:
VANDERBILT UNIVERSITY
ENGINEERING AND SCIENCE
BUILDING - LEVEL 5 & 6 FITOUT
2414 HIGHLAND AVE.
NASHVILLE, TN 37212

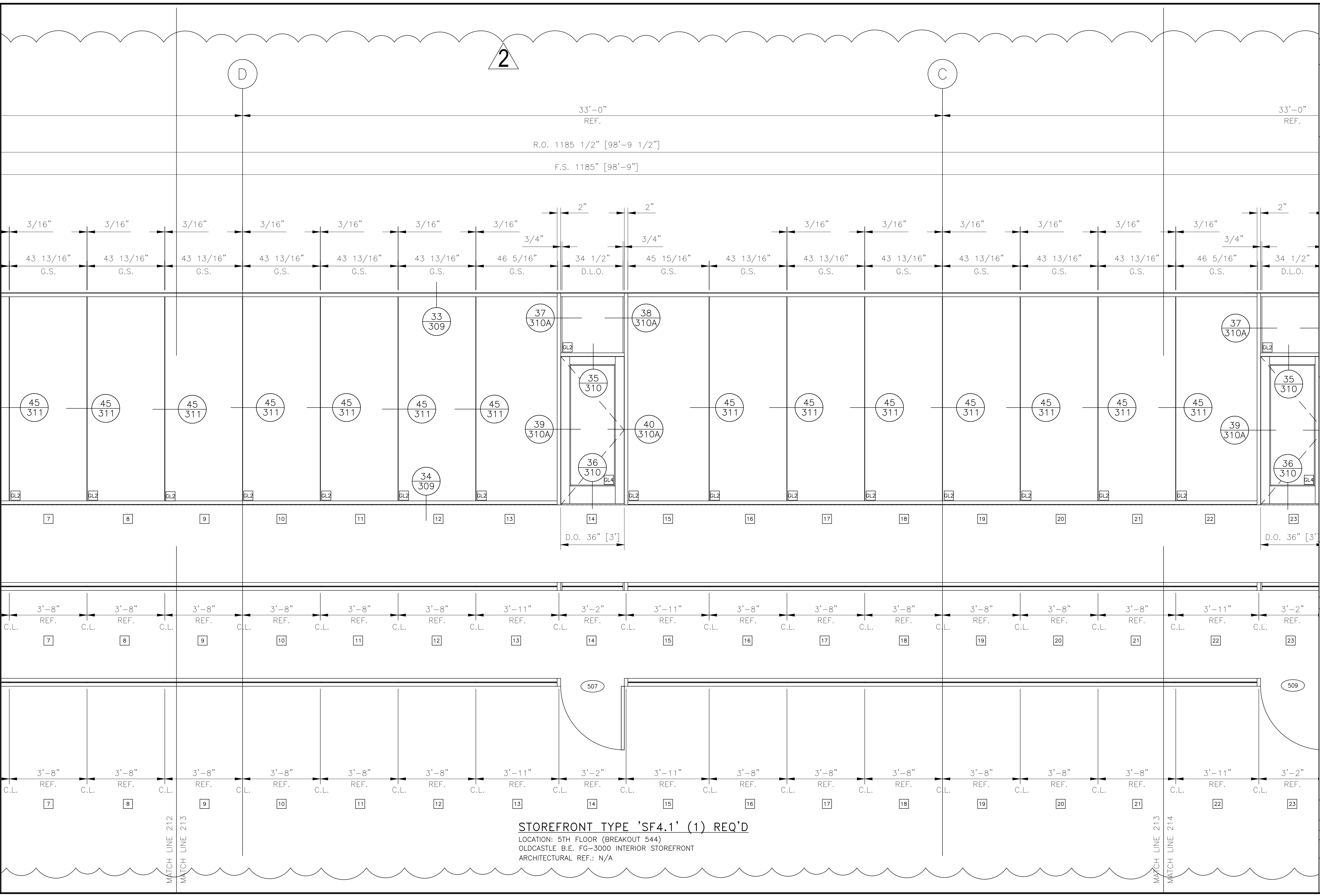
**ALEXANDER
METALS INC.**
ARCHITECTURAL PRODUCT SPECIALISTS
187 CAVE RD NASHVILLE, TENNESSEE 37210
PHONE: (615) 256-8070 FAX: (615) 256-9923
www.AlexanderMetalsInc.com



SUBMITTAL / REVISION	
NO.	DATE
1.1	02.09.23
1.2	03.09.23
1.3	04.20.23

BY	DATE	REVISION
BG		DRAW FOR REVIEW
BG		1ST REVISION
BG		1ST REVISION

NO.	DATE	REVISION



2

D

C

STOREFRONT TYPE 'SF4.1' (1) REQ'D

LOCATION: 5TH FLOOR (BREAKOUT 544)
OLDCASTLE B.E. FG-3000 INTERIOR STOREFRONT
ARCHITECTURAL REF.: N/A

MATCH LINE 212

MATCH LINE 213

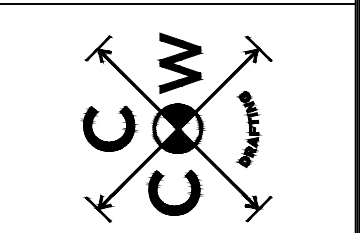
MATCH LINE 213

MATCH LINE 214

SCOPE:
SHOP DRAWINGS
FOR (SCOPE OF
WORK)

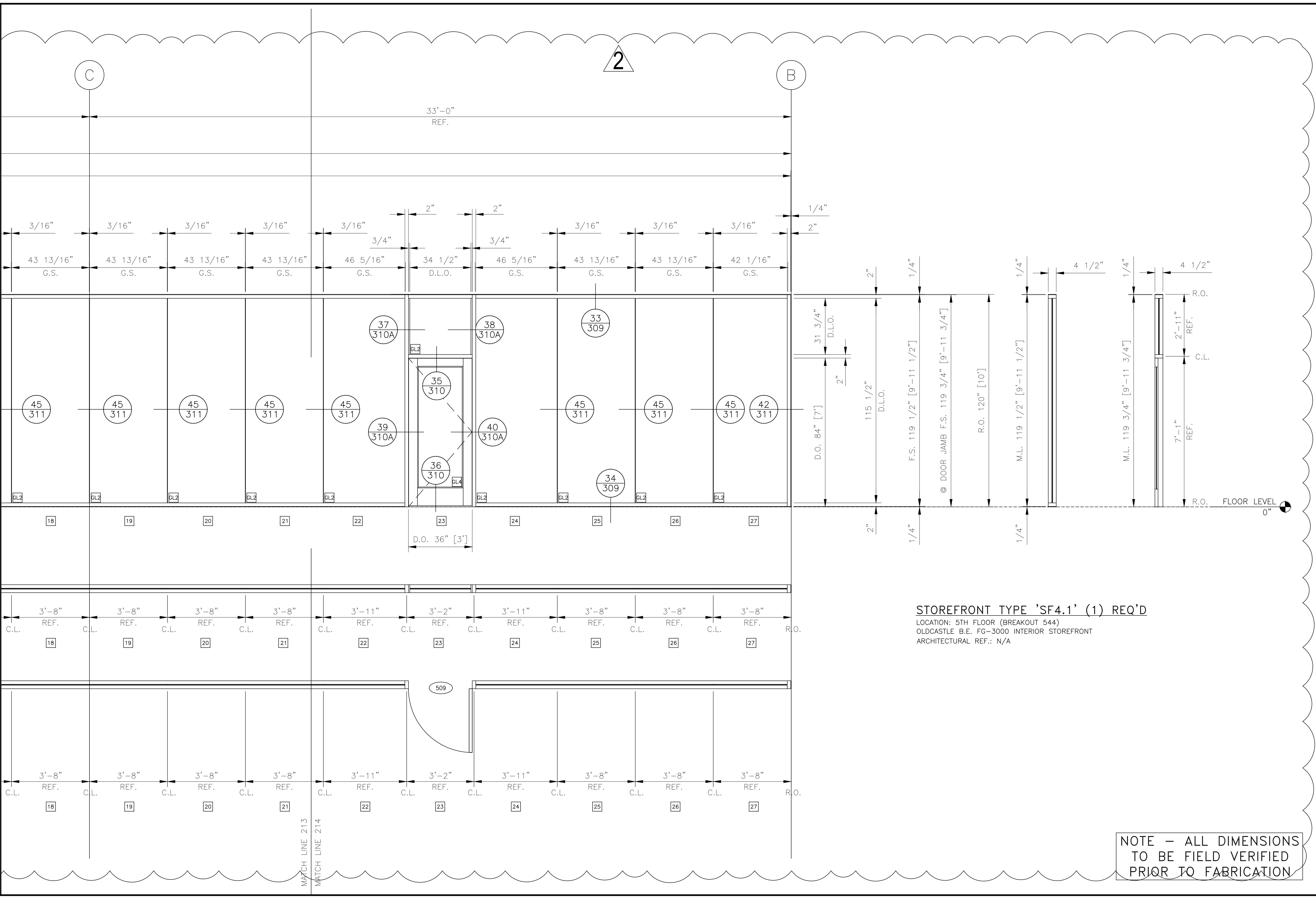
PROJECT:
VANDERBILT UNIVERSITY
ENGINEERING AND SCIENCE
BUILDING - LEVEL 5 & 6 FITOUT
2414 HIGHLAND AVE.
NASHVILLE, TN 37212

**ALEXANDER
METALS INC.**
ARCHITECTURAL PRODUCT SPECIALISTS
487 CAVE RD NASHVILLE, TENNESSEE 37210
PHONE: (615) 256-8070 FAX: (615) 256-9523
www.AlexanderMetalsInc.com



NO.	DATE	REVISION
1.1	02.09.23	DRAW FOR ANI REVIEW
1.2	03.09.23	1ST REVISION
1.3	04.20.23	1ST REVISION

JOB NO. _____
REV. NO. _____



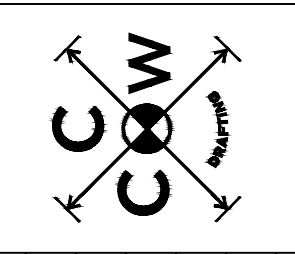
STOREFRONT TYPE 'SF4.1' (1) REQ'D
 LOCATION: 5TH FLOOR (BREAKOUT 544)
 OLDCASTLE B.E. FG-3000 INTERIOR STOREFRONT
 ARCHITECTURAL REF.: N/A

**NOTE - ALL DIMENSIONS
 TO BE FIELD VERIFIED
 PRIOR TO FABRICATION**

SCOPE:
SHOP DRAWINGS
FOR (SCOPE OF
WORK)

PROJECT:
VANDERBILT UNIVERSITY
ENGINEERING AND SCIENCE
BUILDING - LEVEL 5 & 6 FITOUT
2414 HIGHLAND AVE.
NASHVILLE, TN 37212

ALEXANDER METALS INC.
ARCHITECTURAL PRODUCT SPECIALISTS
487 CAVE RD NASHVILLE, TENNESSEE 37210
PHONE: (615) 256-8070 FAX: (615) 256-9523
www.AlexanderMetalsInc.com

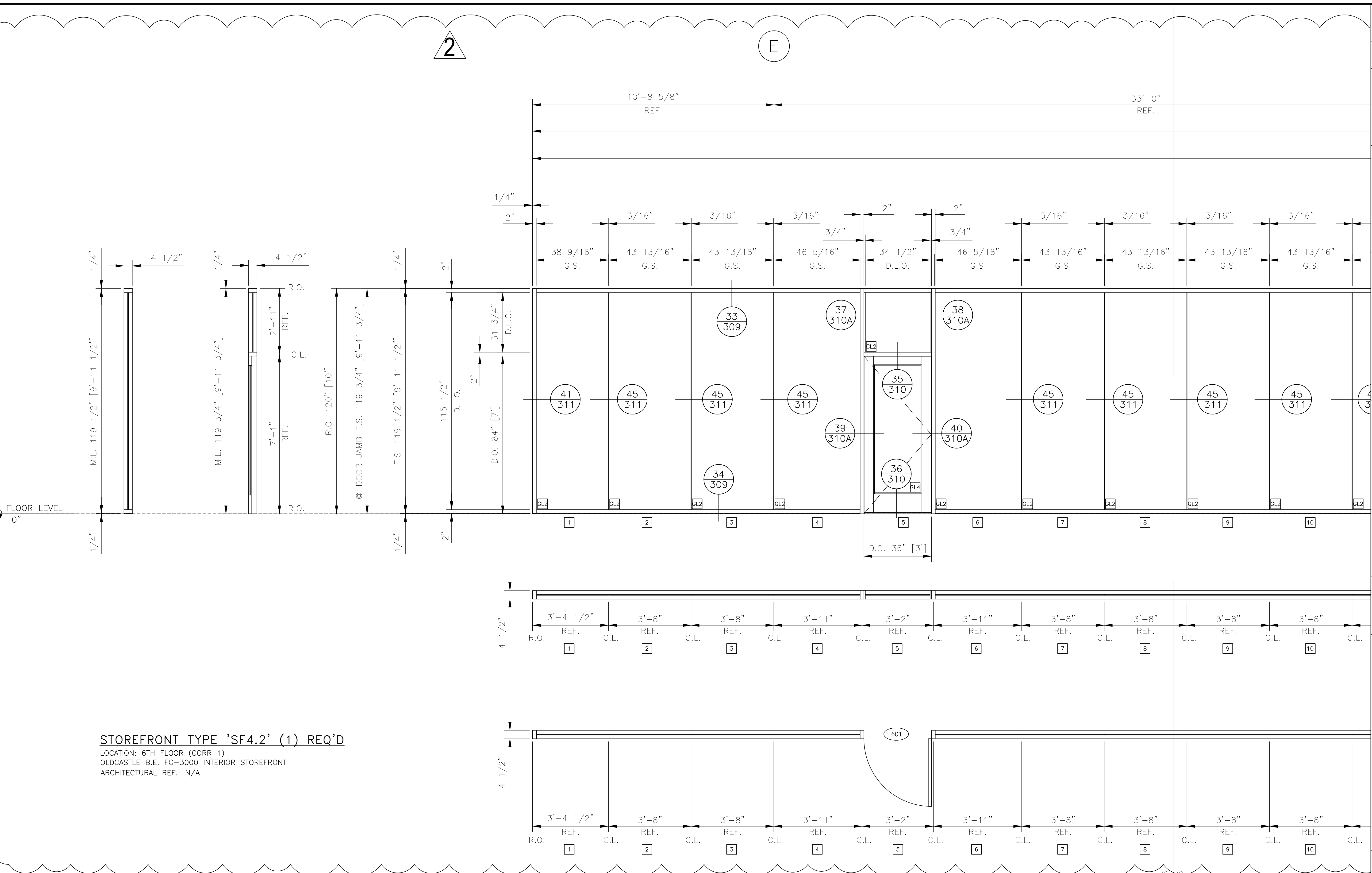


NO.	DATE	REVISION
1.1	02.09.23	DRAW FOR AN REVIEW
1.2	03.09.23	1ST REVISION
1.3	04.20.23	1ST REVISION

BY	DATE	REVISION
BG		
BG		
BG		

2

E



STOREFRONT TYPE 'SF4.2' (1) REQ'D

LOCATION: 6TH FLOOR (CORR 1)
OLDCASTLE B.E. FG-3000 INTERIOR STOREFRONT
ARCHITECTURAL REF.: N/A

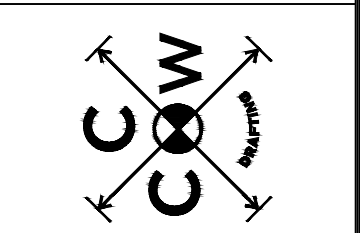
NOTE - ALL DIMENSIONS
TO BE FIELD VERIFIED
PRIOR TO FABRICATION

MATCH LINE 215
MATCH LINE 216

SCOPE:
SHOP DRAWINGS
FOR (SCOPE OF
WORK)

PROJECT:
VANDERBILT UNIVERSITY
ENGINEERING AND SCIENCE
BUILDING - LEVEL 5 & 6 FITOUT
2414 HIGHLAND AVE.
NASHVILLE, TN 37212

**ALEXANDER
METALS INC.**
ARCHITECTURAL PRODUCT SPECIALISTS
487 CAVE RD NASHVILLE, TENNESSEE 37210
PHONE: (615) 256-8070 FAX: (615) 256-9523
www.AlexanderMetalsInc.com

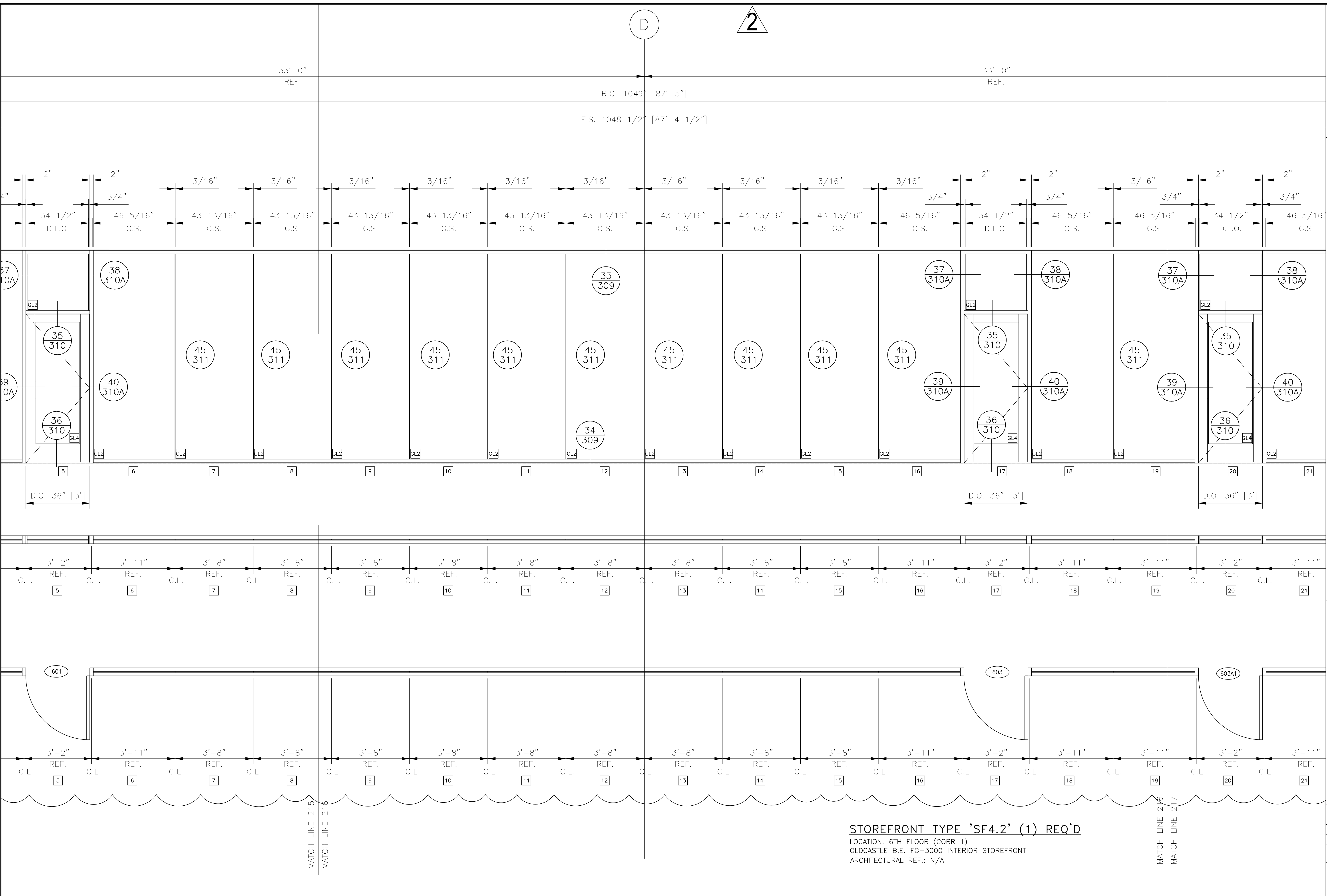


NO.	DATE	REVISION
1.1	02.09.23	DRAFT FOR AN REVIEW
1.2	03.09.23	1ST REVISION
1.3	04.20.23	1ST REVISION

NO. DATE REVISION

JOB NO.

REV. NO.



STOREFRONT TYPE 'SF4.2' (1) REQ'D

LOCATION: 6TH FLOOR (CORR 1)
OLDCASTLE B.E. FG-3000 INTERIOR STOREFRONT
ARCHITECTURAL REF.: N/A

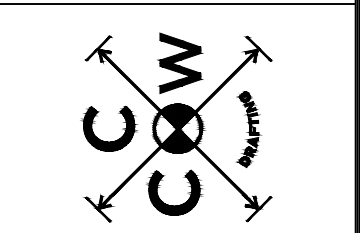
MATCH LINE 215
MATCH LINE 216

MATCH LINE 216
MATCH LINE 217

SCOPE:
SHOP DRAWINGS
FOR (SCOPE OF
WORK)

PROJECT:
VANDERBILT UNIVERSITY
ENGINEERING AND SCIENCE
BUILDING - LEVEL 5 & 6 FITOUT
2414 HIGHLAND AVE.
NASHVILLE, TN 37212

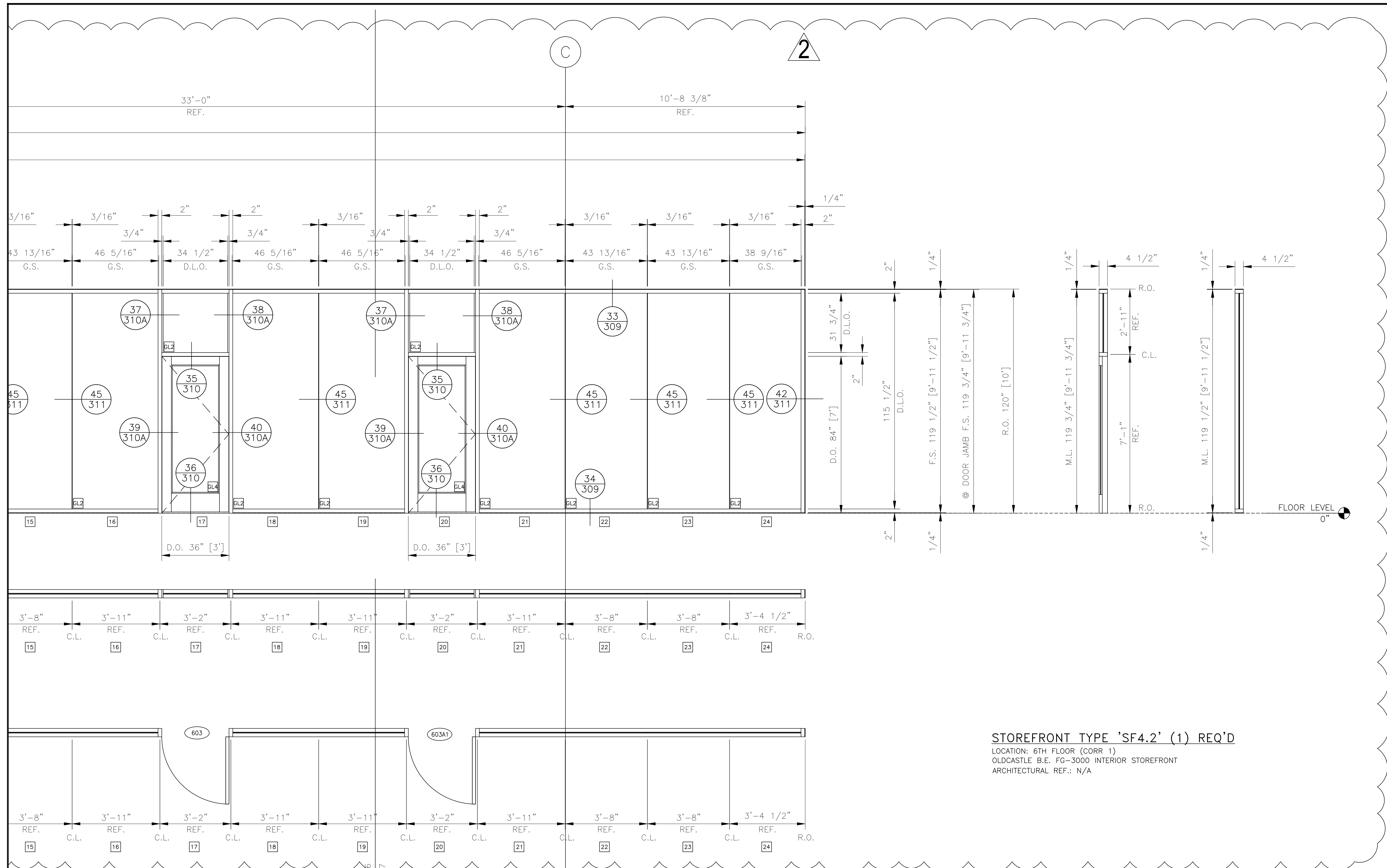
**ALEXANDER
METALS INC.**
ARCHITECTURAL PRODUCT SPECIALISTS
487 CAVE RD NASHVILLE, TENNESSEE 37210
PHONE: (615) 256-8070 FAX: (615) 256-9523
www.AlexanderMetalsInc.com



NO.	DATE	REVISION
1.1	02.09.23	DRAW FOR ANI REVIEW
1.2	03.09.23	1ST REVISION
1.3	04.20.23	1ST REVISION

JOB NO. _____

REV. NO. _____

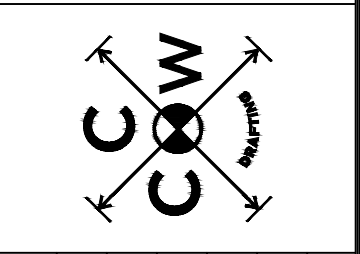


STOREFRONT TYPE 'SF4.2' (1) REQ'D
 LOCATION: 6TH FLOOR (CORR 1)
 OLDCASTLE B.E. FG-3000 INTERIOR STOREFRONT
 ARCHITECTURAL REF.: N/A

STOREFRONT TYPE 'SF4.2' (1) REQ'D
 LOCATION: 6TH FLOOR (CORR 1)
 OLDCASTLE B.E. FG-3000 INTERIOR STOREFRONT
 ARCHITECTURAL REF.: N/A

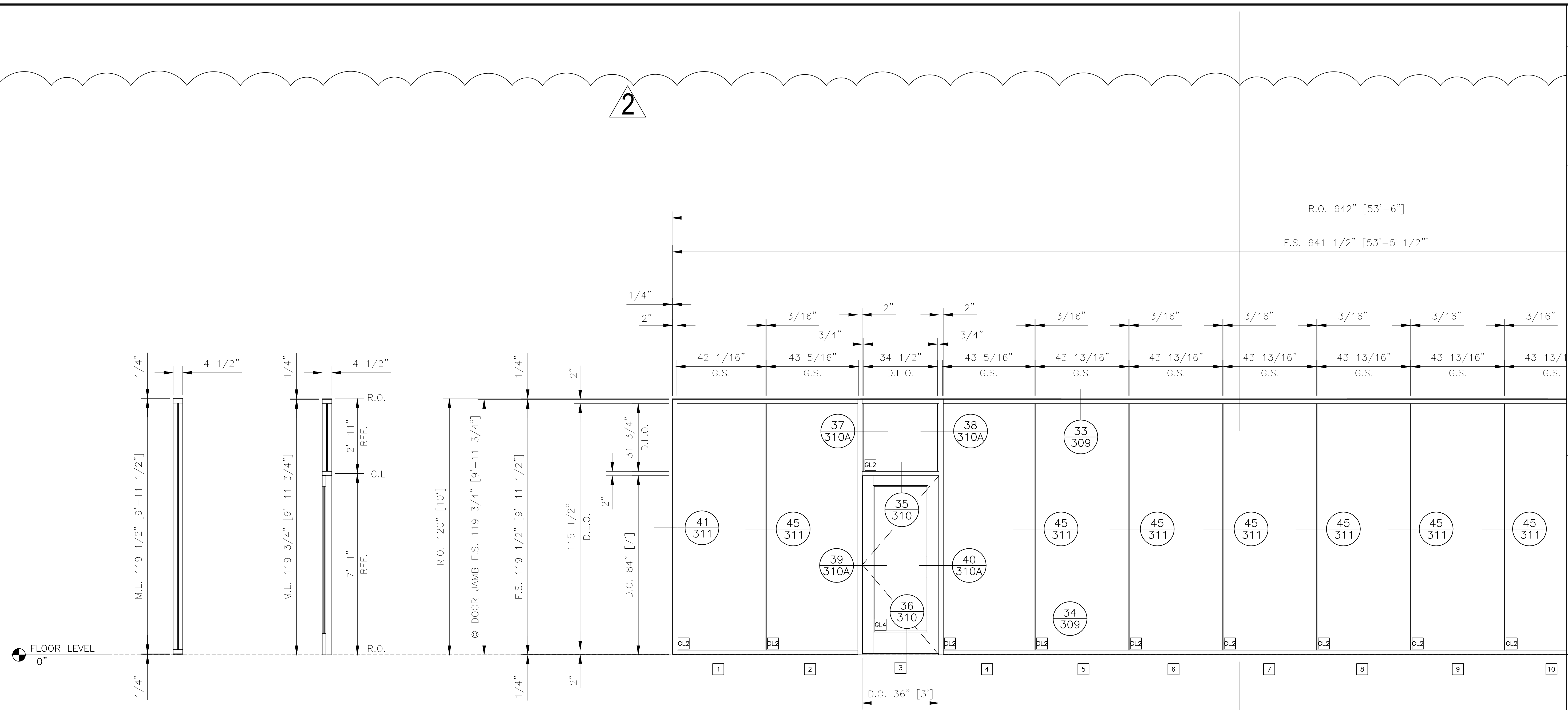
**NOTE - ALL DIMENSIONS
 TO BE FIELD VERIFIED
 PRIOR TO FABRICATION**

MATCH LINE 216
 MATCH LINE 217

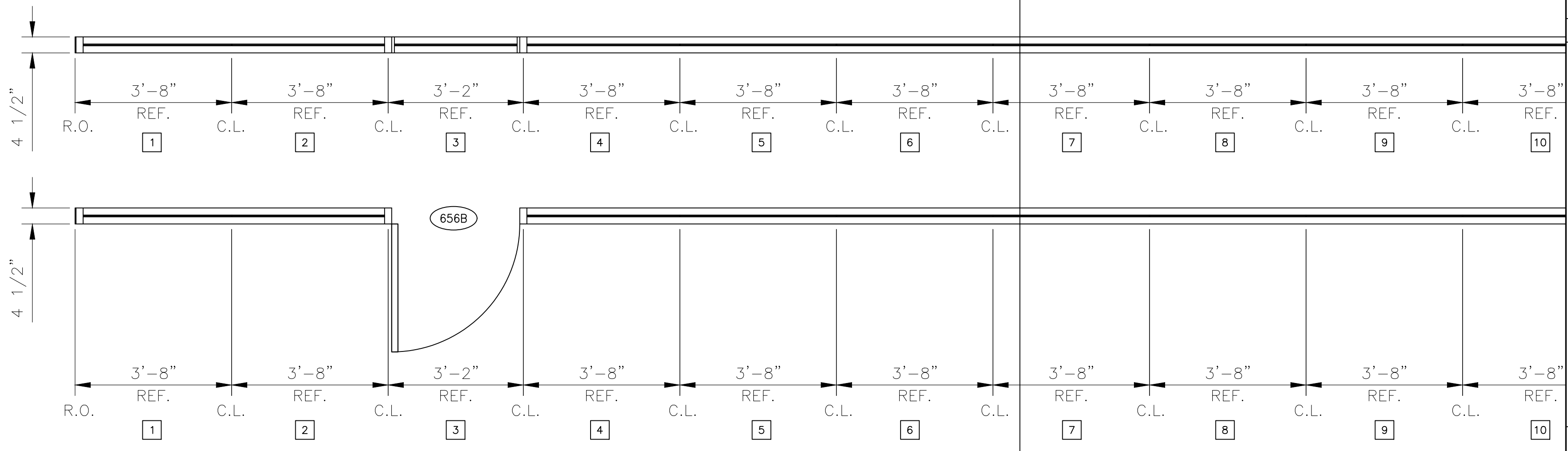


NO.	DATE	BY	REVISION
1.1	02.09.23	BG	DRAW FOR AM REVIEW
1.2	03.09.23	BG	1ST REVISION
1.3	04.20.23	BG	1ST REVISION

2

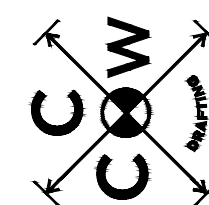


STOREFRONT TYPE 'SF4.3' (1) REQ'D
 LOCATION: 6TH FLOOR (CORR 1)
 OLDCASTLE B.E FG-3000 INTERIOR STOREFRONT
 ARCHITECTURAL REF.: N/A



**NOTE - ALL DIMENSIONS
 TO BE FIELD VERIFIED
 PRIOR TO FABRICATION**

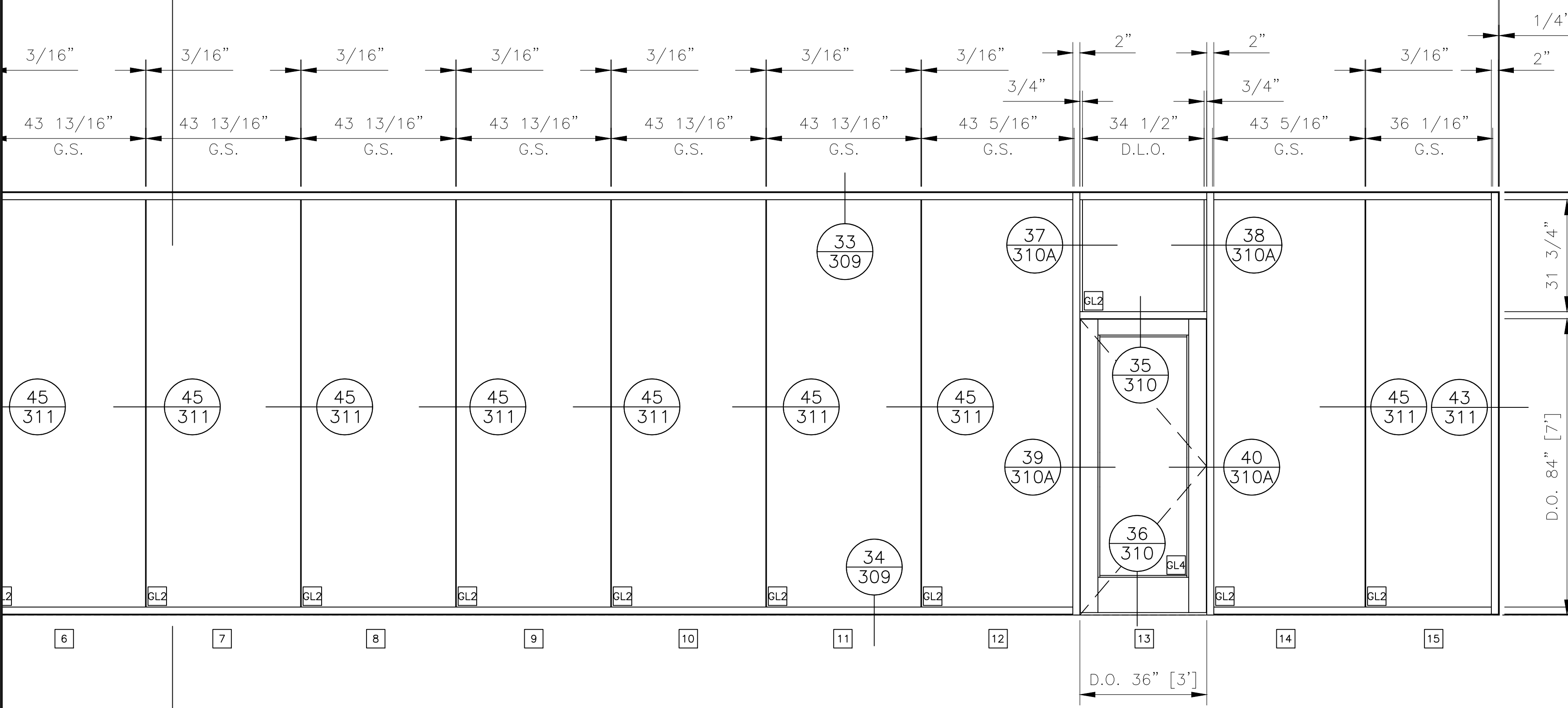
MATCH LINE 218
 MATCH LINE 219



2

R.O. 642" [53'-6"]

F.S. 641 1/2" [53'-5 1/2"]

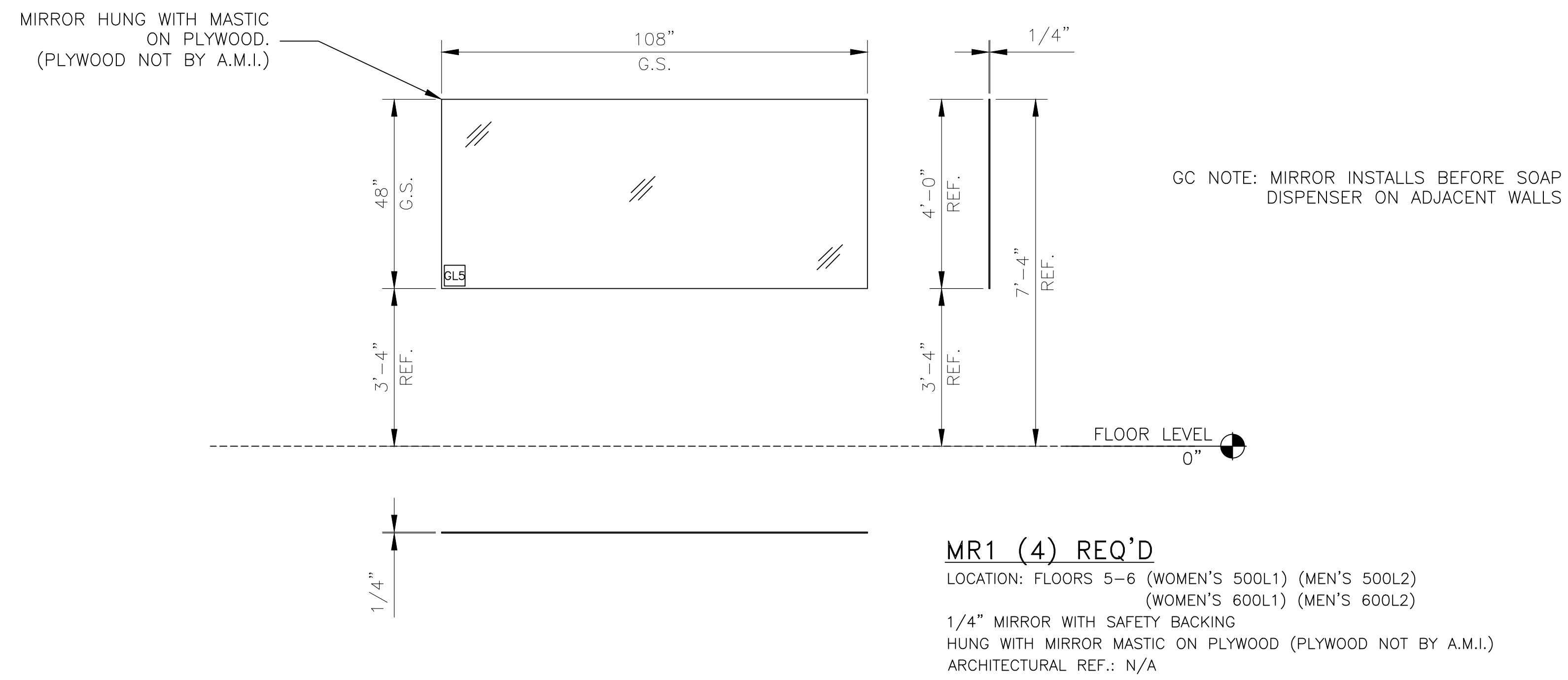


STOREFRONT TYPE 'SF4.3' (1) REQ'D
 LOCATION: 6TH FLOOR (CORR 1)
 OLDCASTLE B.E. FG-3000 INTERIOR STOREFRONT
 ARCHITECTURAL REF.: N/A

NOTE - ALL DIMENSIONS
 TO BE FIELD VERIFIED
 PRIOR TO FABRICATION

MATCH LINE 218
 MATCH LINE 219

NOTE - ALL DIMENSIONS
TO BE FIELD VERIFIED
PRIOR TO FABRICATION

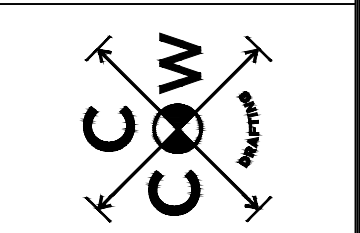


SHEET NO.:		220
SCALE:		N.T.S.
SCOPE:		SHOP DRAWINGS FOR (SCOPE OF WORK)
PROJECT:		VANDERBILT UNIVERSITY ENGINEERING AND SCIENCE BUILDING - LEVEL 5 & 6 FITOUT 2414 HIGHLAND AVE. NASHVILLE, TN 37212
ARCHITECT:		ALEXANDER METALS INC. ARCHITECTURAL PRODUCT SPECIALISTS 487 CAVE RD NASHVILLE, TENNESSEE 37210 PHONE: (615) 256-8070 FAX: (615) 256-9523 www.AlexanderMetalsInc.com
BY		BG
DATE		02/20/23
NO.		1.1
SUBMITTAL / REVISION		DRAFT FOR ANI REVIEW
BY		BG
DATE		03/09/23
NO.		1.2
SUBMITTAL / REVISION		1ST REVISION
BY		BG
DATE		04/20/23
NO.		1.3
SUBMITTAL / REVISION		1ST REVISION
JOB NO.		
REV. NO.		
SHEET NO.:		220

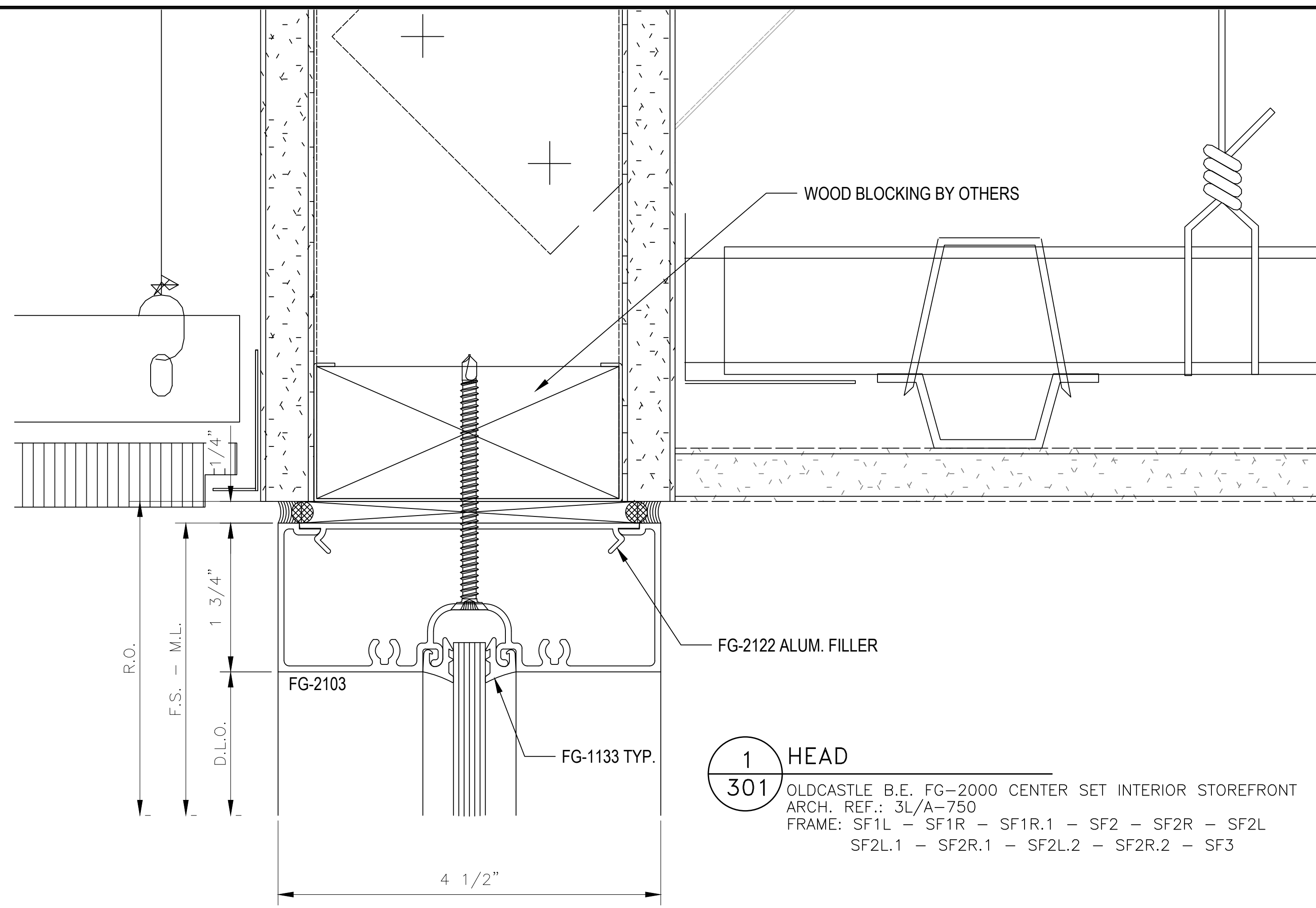
SCOPE:
SHOP DRAWINGS
FOR (SCOPE OF
WORK)

PROJECT:
VANDERBILT UNIVERSITY
ENGINEERING AND SCIENCE
BUILDING - LEVEL 5 & 6 FITOUT
2414 HIGHLAND AVE.
NASHVILLE, TN 37212

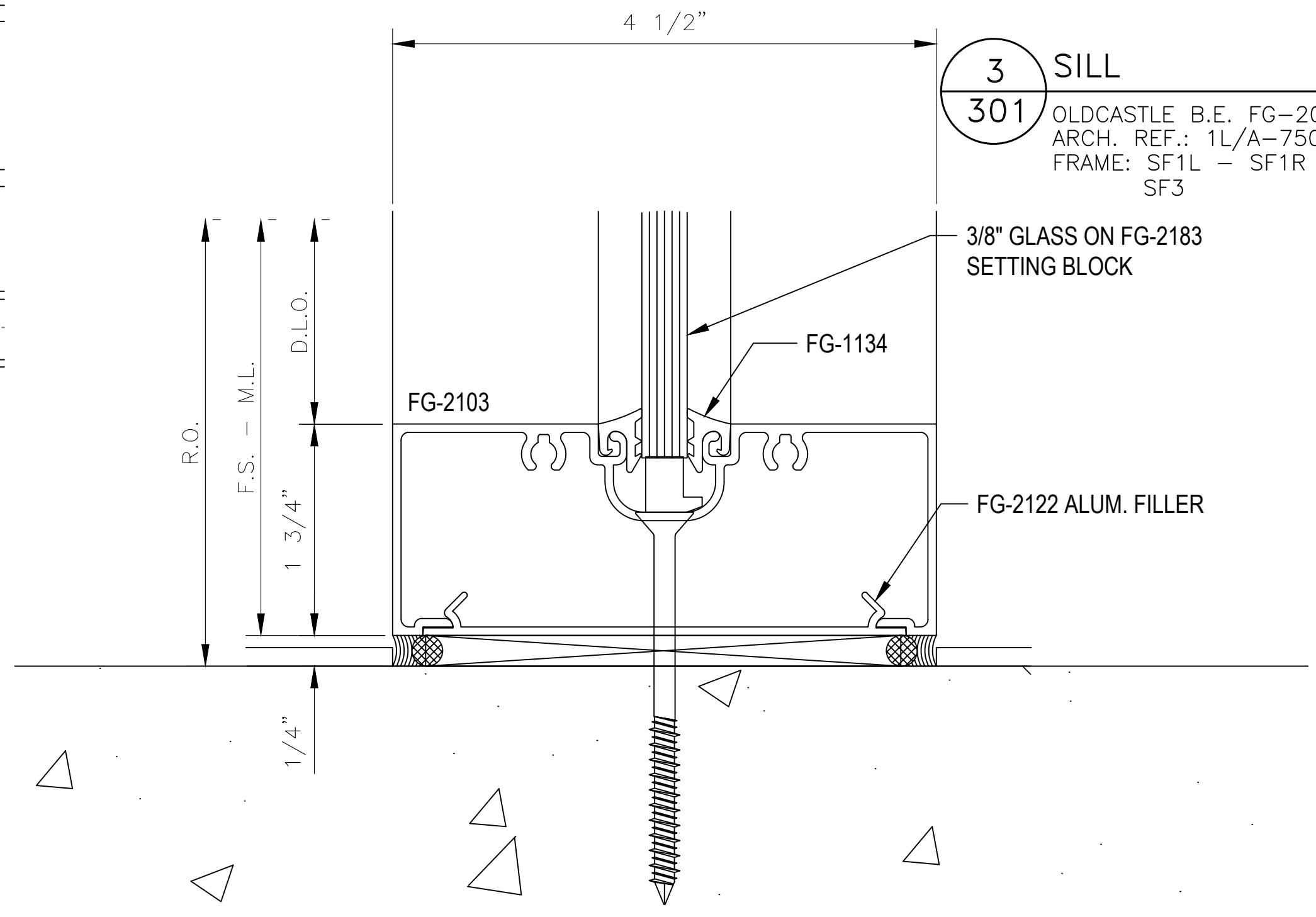
**ALEXANDER
METALS INC.**
ARCHITECTURAL PRODUCT SPECIALISTS
487 CAVE RD NASHVILLE, TENNESSEE 37210
PHONE: (615) 256-8070 FAX: (615) 256-9523
www.AlexanderMetalsInc.com



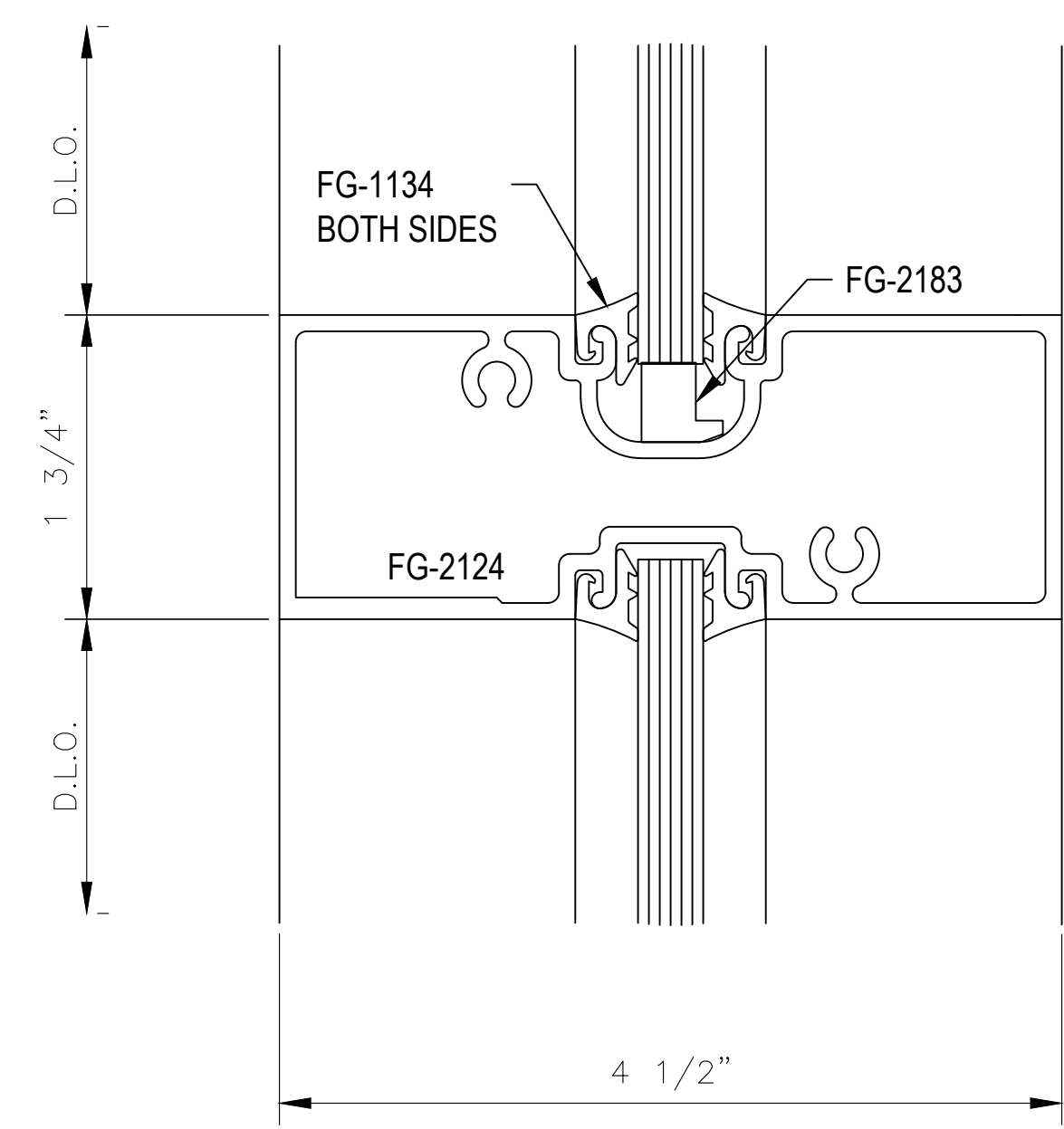
NO.	DATE	REVISION
1.1	02.09.23	DRAFT FOR ANI REVIEW
1.2	03.09.23	1ST REVISION
1.3	04.20.23	1ST REVISION



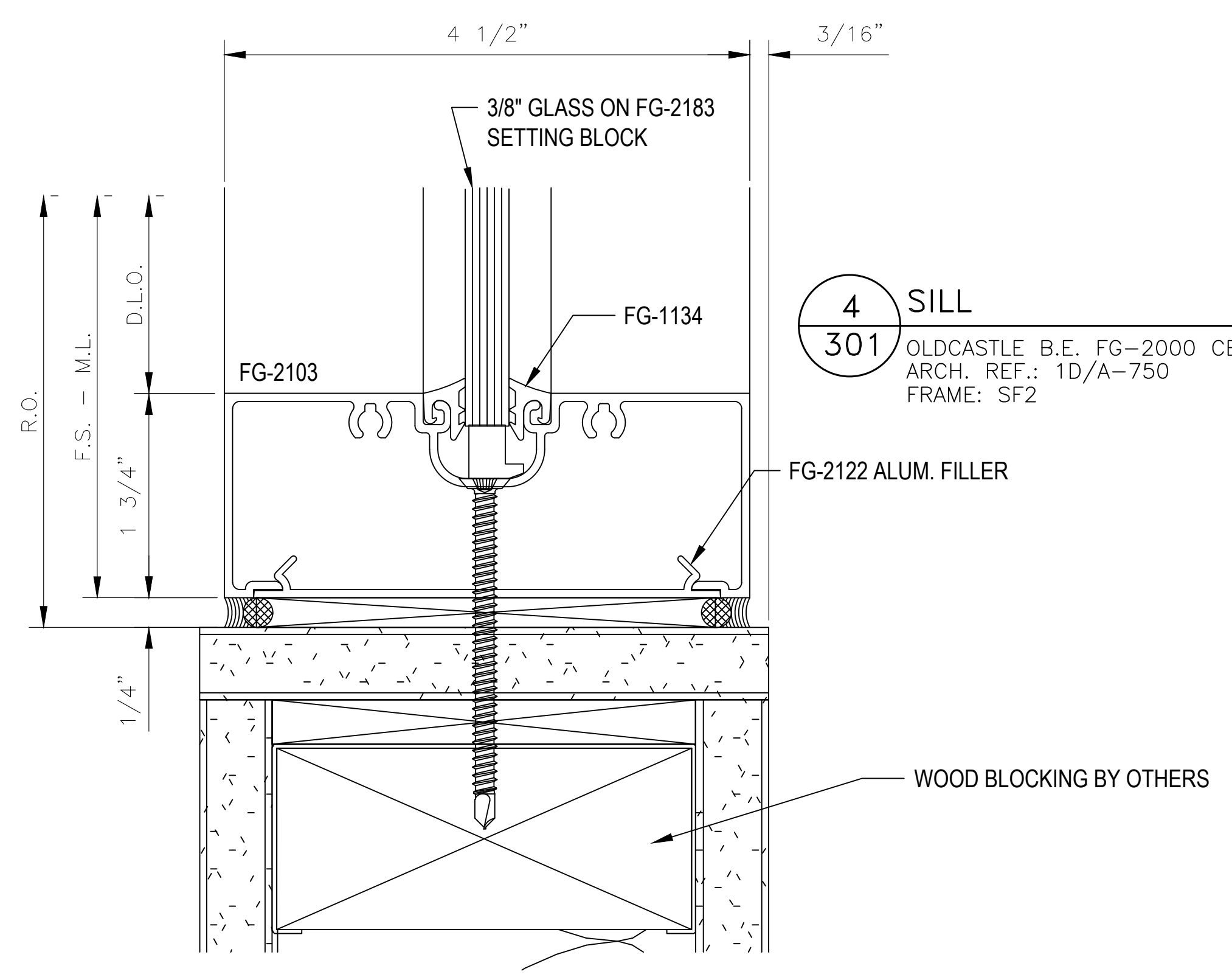
1 HEAD
301
OLDCASTLE B.E. FG-2000 CENTER SET INTERIOR STOREFRONT
ARCH. REF.: 3L/A-750
FRAME: SF1L - SF1R - SF1R.1 - SF2 - SF2R - SF2L
SF2L.1 - SF2R.1 - SF2L.2 - SF2R.2 - SF3



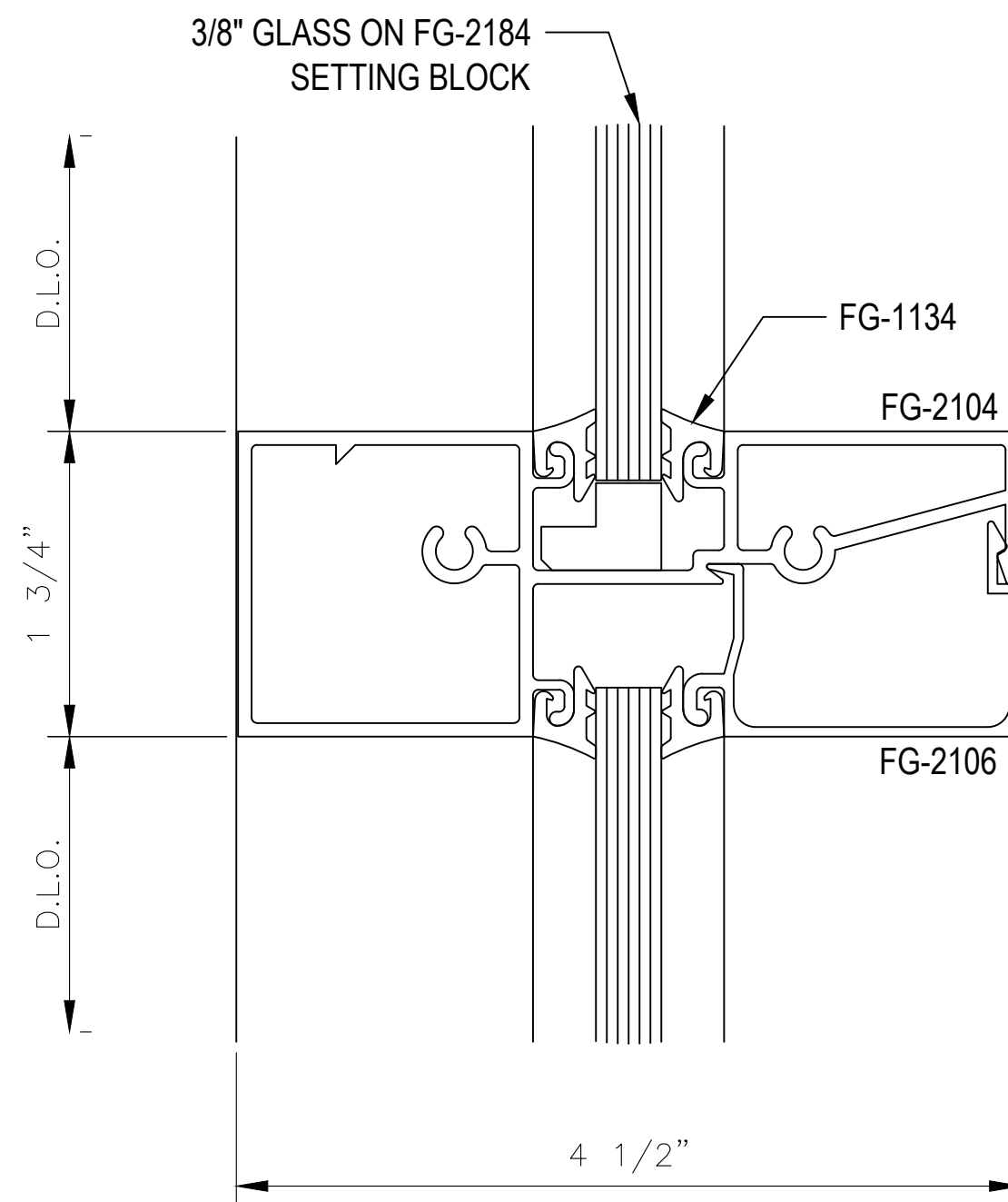
3 SILL
301
OLDCASTLE B.E. FG-2000 CENTER SET INTERIOR STOREFRONT
ARCH. REF.: 1L/A-750
FRAME: SF1L - SF1R - SF1R.1 - SF2L - SF2R
SF3



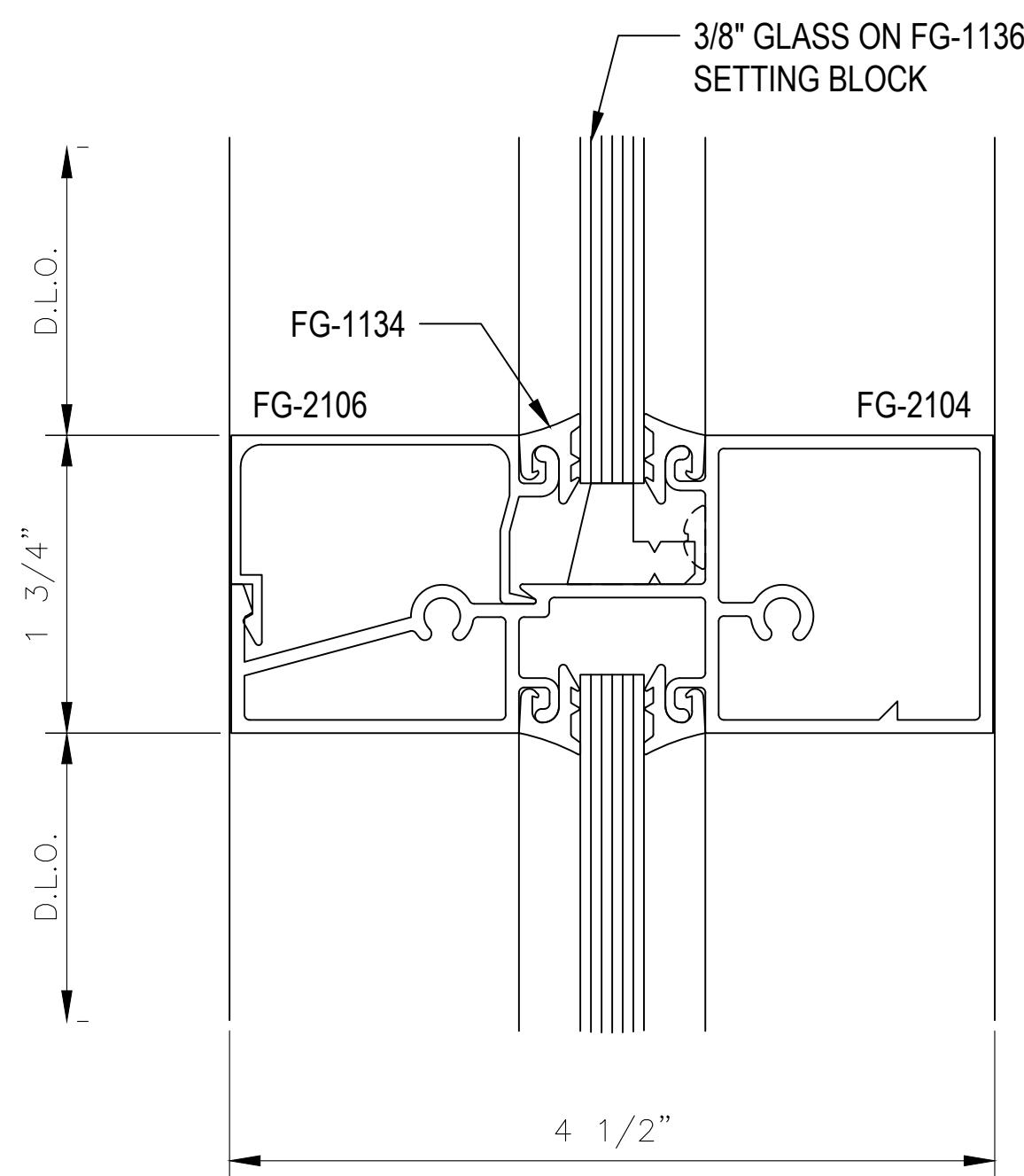
2 HORIZONTAL
301
OLDCASTLE B.E. FG-2000 CENTER SET INTERIOR STOREFRONT
ARCH. REF.: N/A
FRAME: SF1L - SF1R - SF1R.1



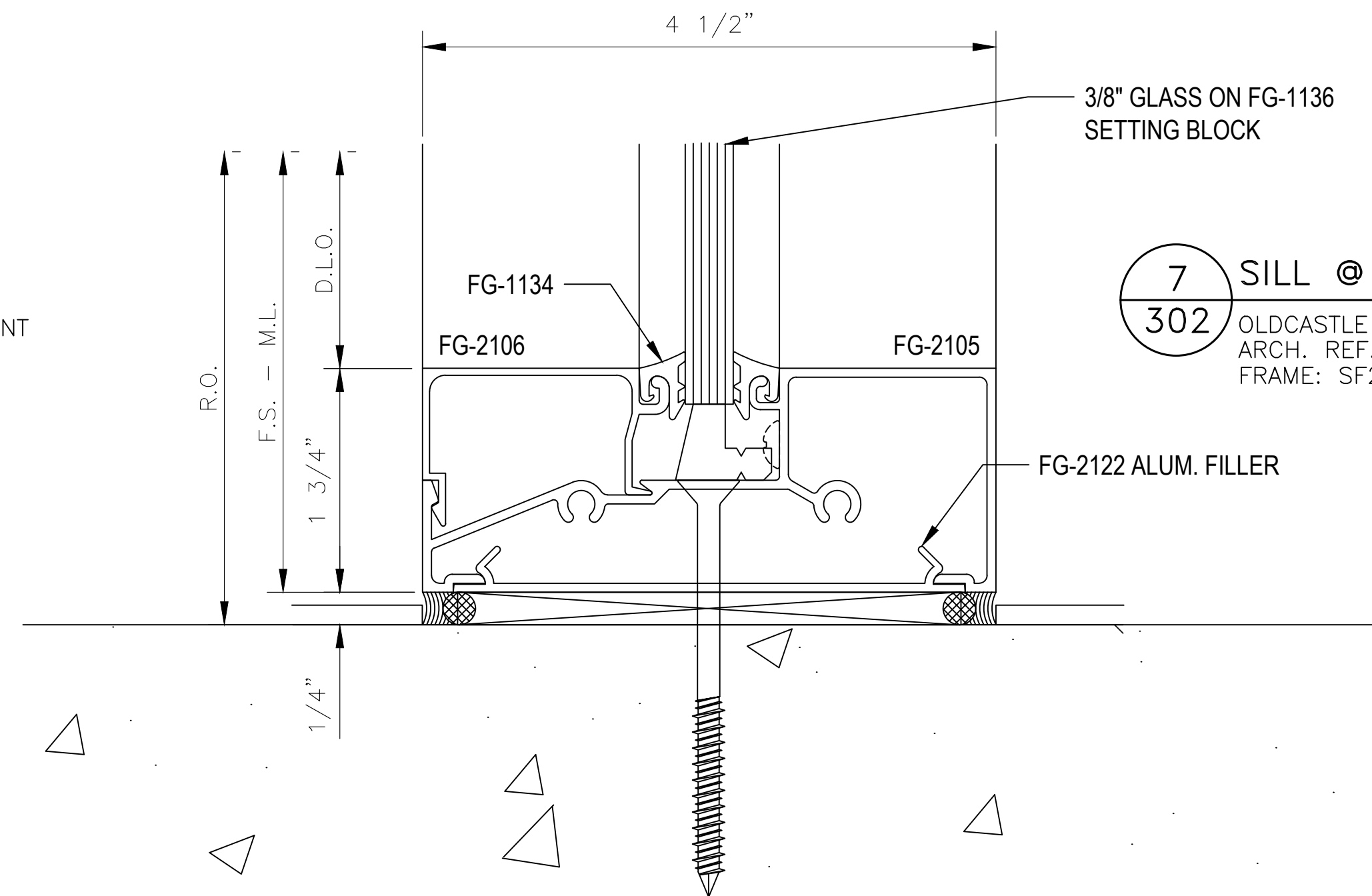
4 SILL
301
OLDCASTLE B.E. FG-2000 CENTER SET INTERIOR STOREFRONT
ARCH. REF.: 1D/A-750
FRAME: SF2



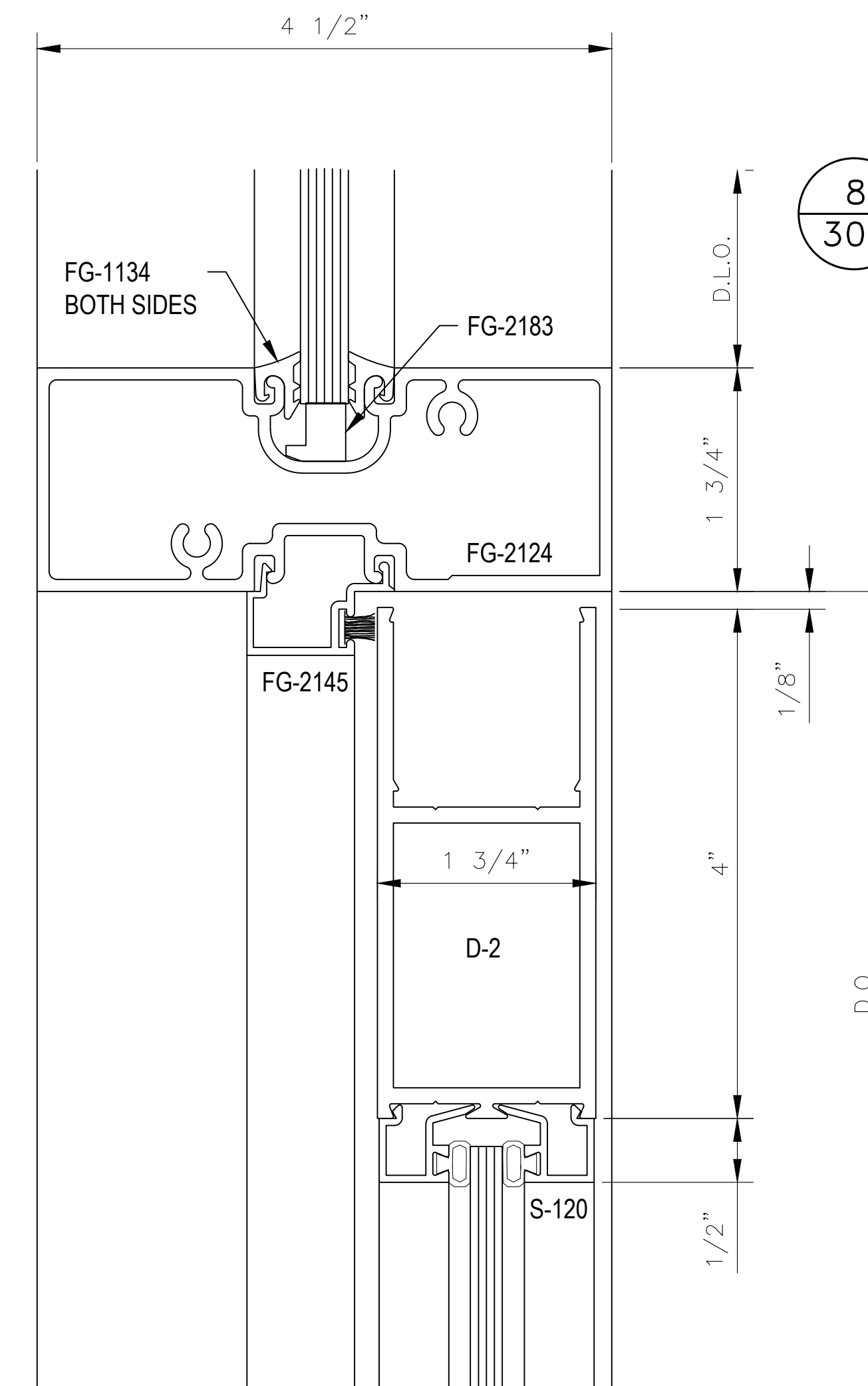
5 HORIZONTAL
302 OLDCASTLE B.E. FG-2000 CENTER SET INTERIOR STOREFRONT
 ARCH. REF.: N/A
 FRAME: SF2L - SF2R - SF3



6 HORIZONTAL @ ANGLED WALLS
302 OLDCASTLE B.E. FG-2000 CENTER SET INTERIOR STOREFRONT
 ARCH. REF.: N/A
 FRAME: SF2L.1 - SF2R.1 - SF2L.2 - SF2R.2



7 SILL @ ANGLED WALLS
302 OLDCASTLE B.E. FG-2000 CENTER SET INTERIOR STOREFRONT
 ARCH. REF.: 1L/A-750
 FRAME: SF2L.1 - SF2R.1 - SF2L.2 - SF2R.2



8 DOOR HEADER
302 OLDCASTLE B.E. FG-2000 CENTER SET INTERIOR STOREFRONT
 ARCH. REF.: N/A
 FRAME: SF1L - SF1R - SF1R.1 - SF2L - SF2R
 SF2L.1 - SF2R.1 - SF2L.2 - SF2R.2

SHEET NO.:
302

SCALE:
 N.T.S.

SCOPE:
 SHOP DRAWINGS
 FOR (SCOPE OF
 WORK)

PROJECT:
 VANDERBILT UNIVERSITY
 ENGINEERING AND SCIENCE
 BUILDING - LEVEL 5 & 6 FITOUT
 2414 HIGHLAND AVE.
 NASHVILLE, TN 37212

**ALEXANDER
 METALS INC.**
 ARCHITECTURAL PRODUCT SPECIALISTS
 487 CAVE RD NASHVILLE, TENNESSEE 37210
 PHONE: (615) 256-8070 FAX: (615) 256-9523
 www.AlexanderMetalsInc.com

NO.	DATE	BY	REVISION
1.1	02.09.23	BG	DRAFT FOR AM REVIEW
1.2	03.09.23	BG	1ST REVISION
1.3	04.20.23	BG	1ST REVISION

SUBMITTAL / REVISION

JOB NO.

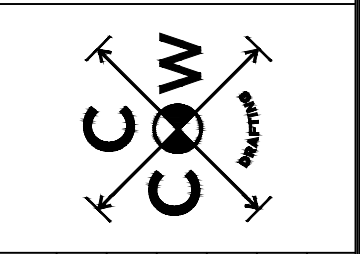
REV. NO.

SHEET NO.:
302

SCOPE:
SHOP DRAWINGS
FOR (SCOPE OF
WORK)

PROJECT:
VANDERBILT UNIVERSITY
ENGINEERING AND SCIENCE
BUILDING - LEVEL 5 & 6 FITOUT
2414 HIGHLAND AVE.
NASHVILLE, TN 37212

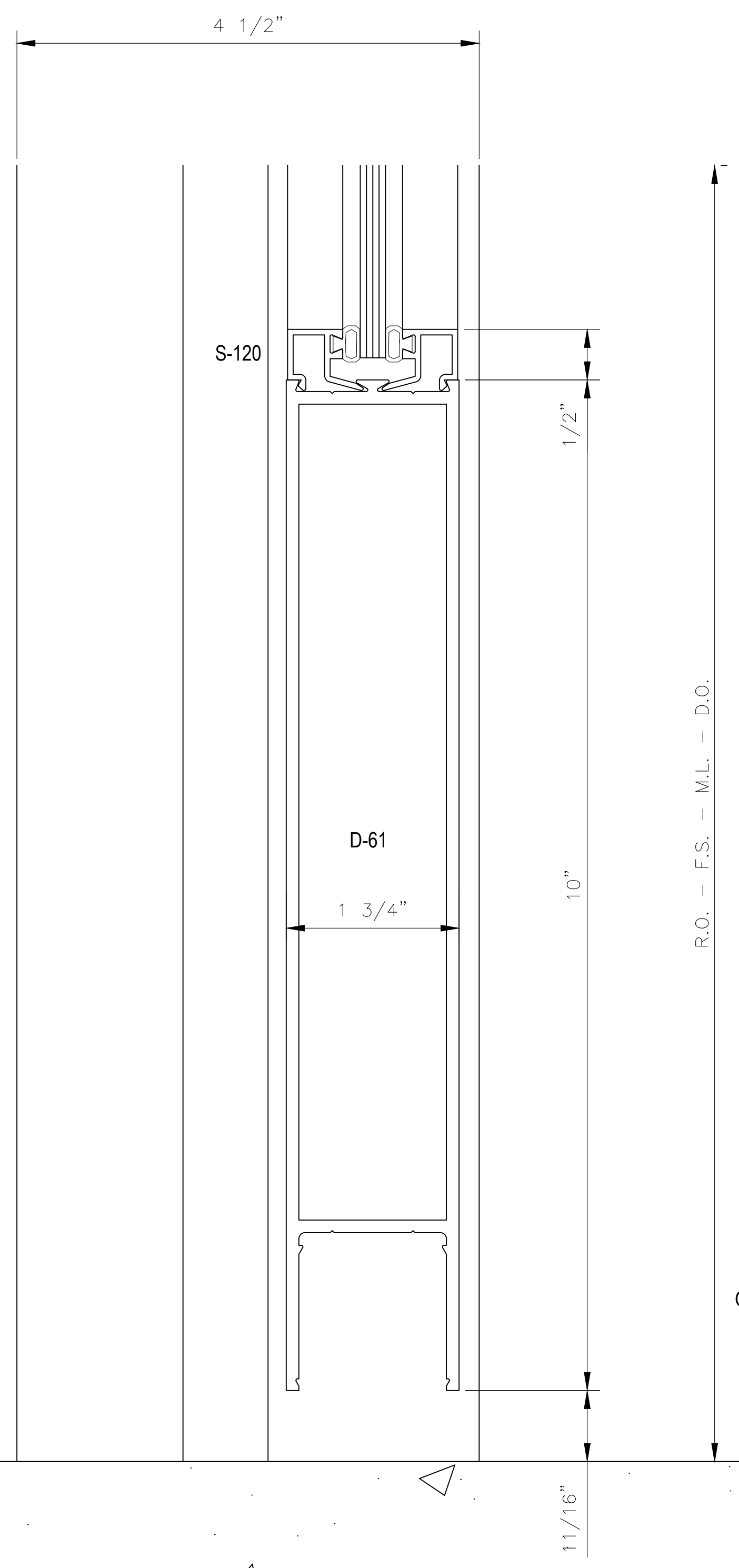
ALEXANDER
METALS INC.
ARCHITECTURAL PRODUCT SPECIALISTS
487 CAVE RD NASHVILLE, TENNESSEE 37210
PHONE: (615) 256-8070 FAX: (615) 256-9523
www.AlexanderMetalsInc.com



NO.	DATE	REVISION
1.1	02.20.23	DRAFT FOR AM REVIEW
1.2	03.09.23	1ST REVISION
1.3	04.20.23	1ST REVISION

BY: BG

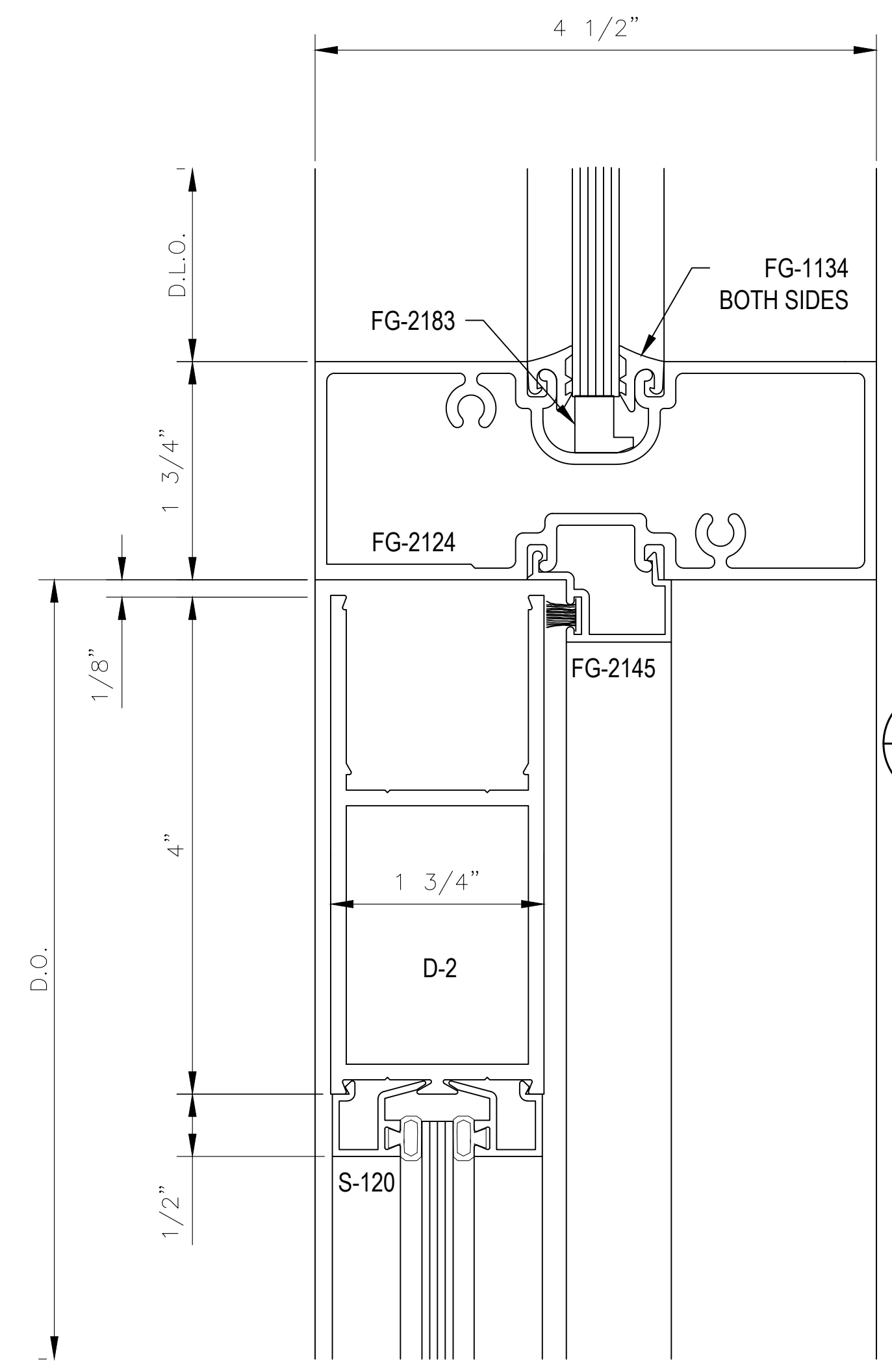
REV. NO.



9 DOOR SILL
303 OLDCASTLE B.E. FG-2000 CENTER SET INTERIOR STOREFRONT
 ARCH. REF.: N/A
 FRAME: SF1L - SF1R - SF1R.1 - SF2L - SF2R
 SF2L.1 - SF2R.1 - SF2L.2 - SF2R.2

GC/ARCHITECT: CONFIRM FLOORING THICKNESS

R.O. - F.S. - M.L. - D.O.

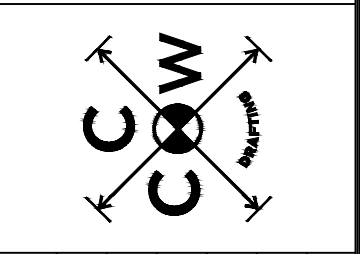


10 DOOR HEADER
303 OLDCASTLE B.E. FG-2000 CENTER SET INTERIOR STOREFRONT
 ARCH. REF.: N/A
 FRAME: SF3

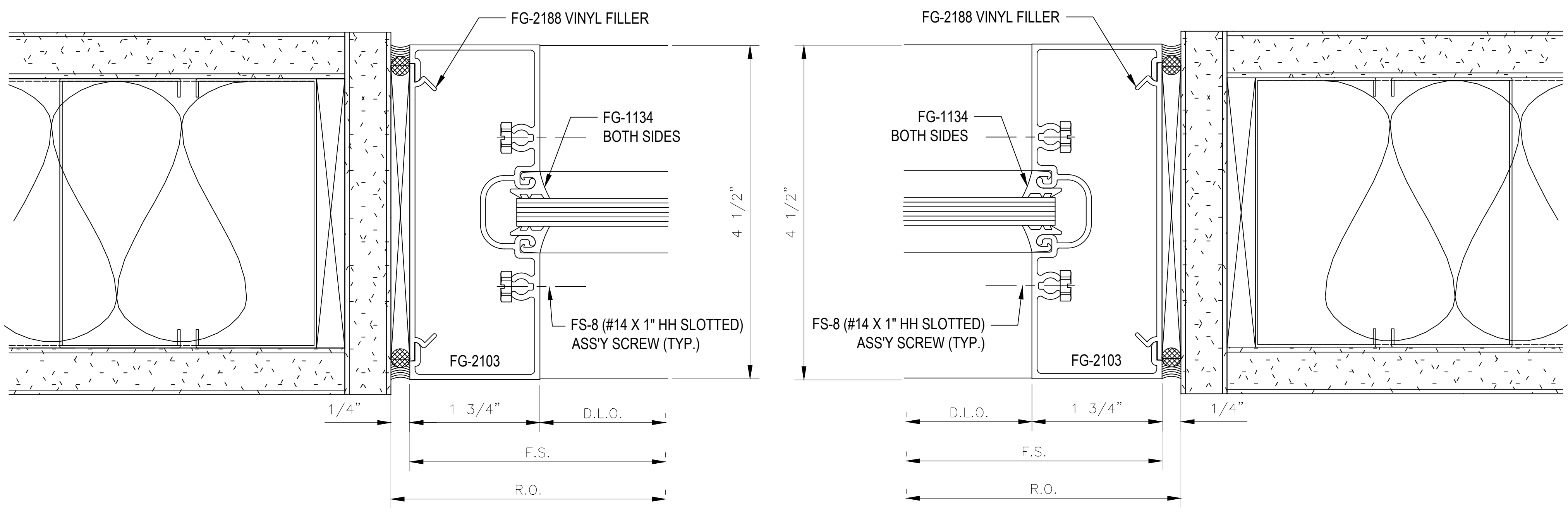
SCOPE:
SHOP DRAWINGS
FOR (SCOPE OF
WORK)

PROJECT:
VANDERBILT UNIVERSITY
ENGINEERING AND SCIENCE
BUILDING - LEVEL 5 & 6 FITOUT
2414 HIGHLAND AVE.
NASHVILLE, TN 37212

**ALEXANDER
METALS INC.**
ARCHITECTURAL PRODUCT SPECIALISTS
487 CAVE RD NASHVILLE, TENNESSEE 37210
PHONE: (615) 256-8070 FAX: (615) 256-9523
www.AlexanderMetalsInc.com



NO.	DATE	REVISION
1.1	02.20.23	DRAFT FOR AM REVIEW
1.2	03.09.23	1ST REVISION
1.3	04.20.23	1ST REVISION

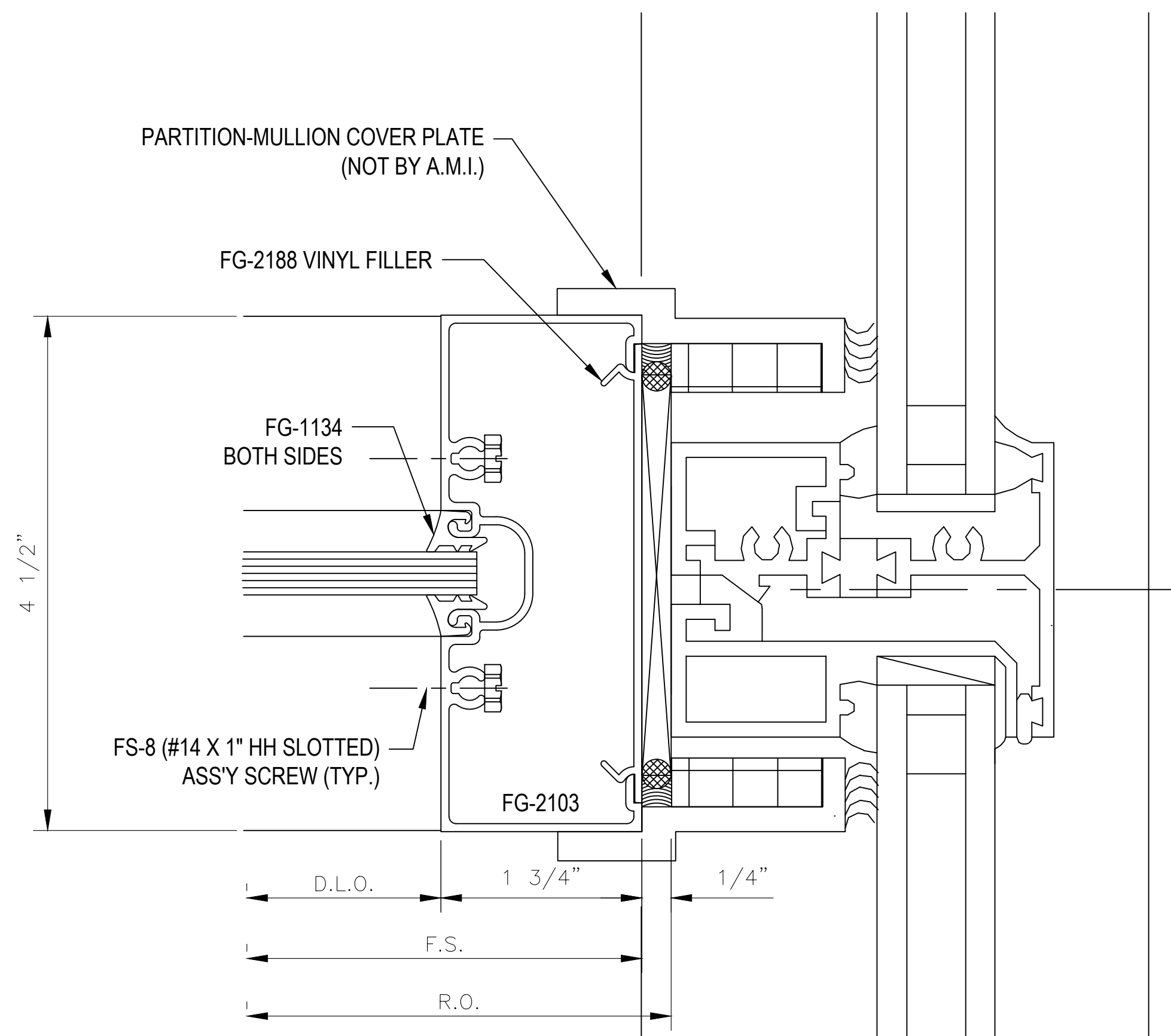


12 JAMB
304 OLDCASTLE B.E. FG-2000 CENTER SET INTERIOR STOREFRONT
ARCH. REF.: N/A
FRAME: SF1R - SF1R.1 - SF2 - SF2R - SF2R.1
SF2R.2 - SF3

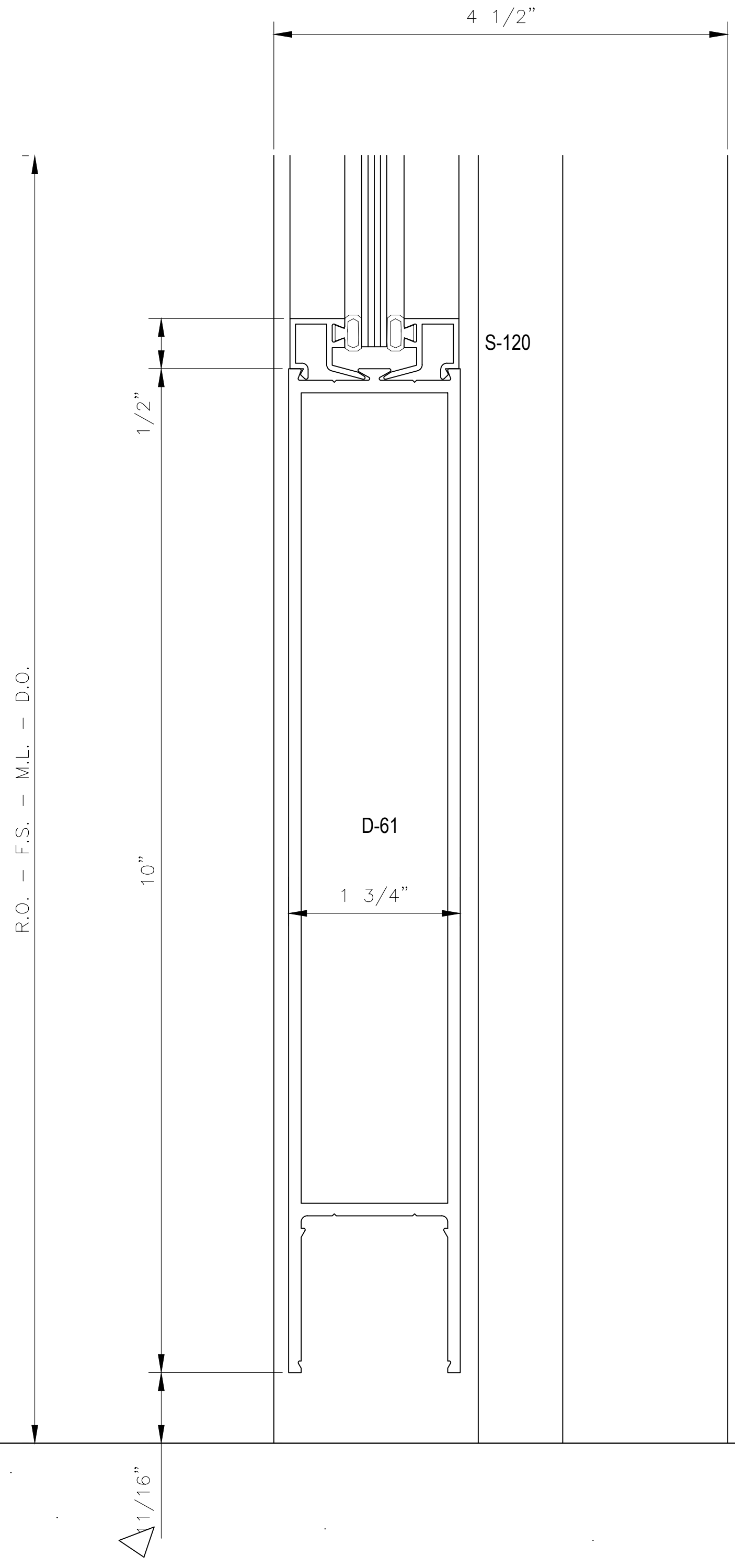
13 JAMB
304 OLDCASTLE B.E. FG-2000 CENTER SET INTERIOR STOREFRONT
ARCH. REF.: N/A
FRAME: SF1L - SF2 - SF2L - SF2L.1 - SF2L.2
SF3

11 DOOR SILL
304 OLDCASTLE B.E. FG-2000 CENTER SET INTERIOR STOREFRONT
ARCH. REF.: N/A
FRAME: SF3

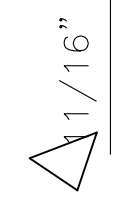
GC/ARCHITECT: CONFIRM FLOORING THICKNESS



13A JAMB
304 OLDCASTLE B.E. FG-2000 CENTER SET INTERIOR STOREFRONT
ARCH. REF.: N/A
FRAME: SF3

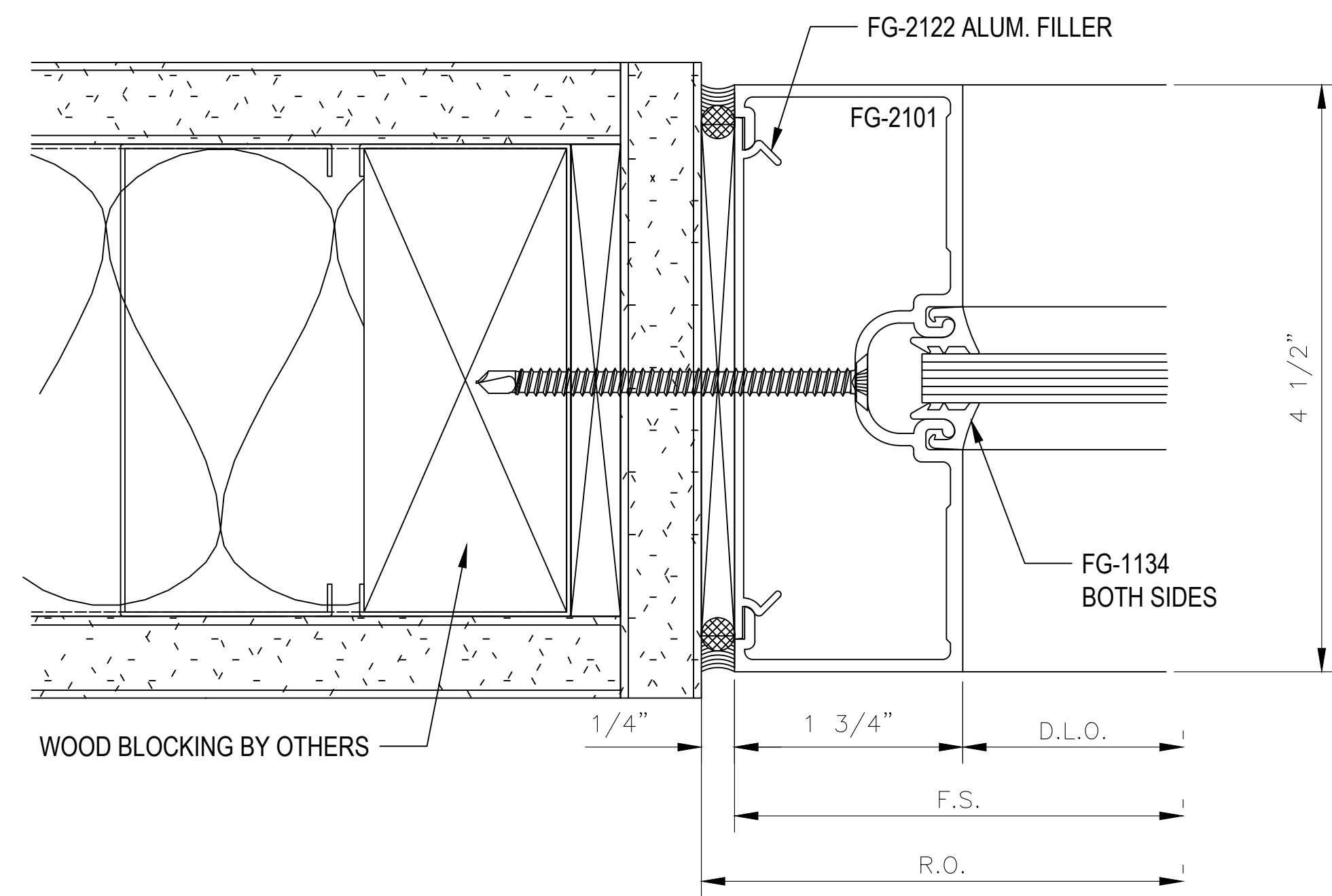


R.O. - F.S. - M.L. - D.O.

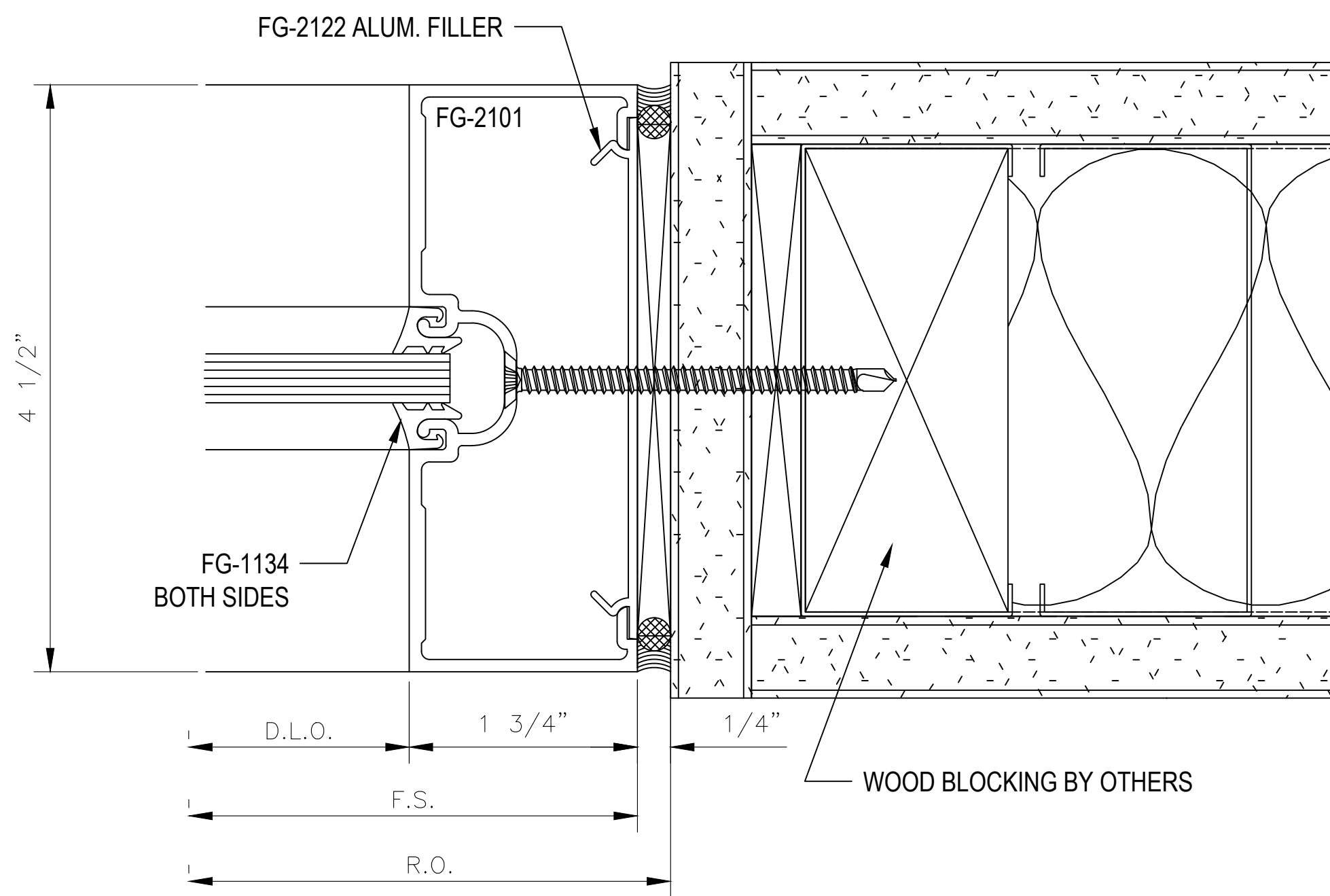


NO.	DATE	REVISION
1.1	02.09.23	DRAFT FOR AM REVIEW
1.2	03.09.23	1ST REVISION
1.3	04.20.23	1ST REVISION

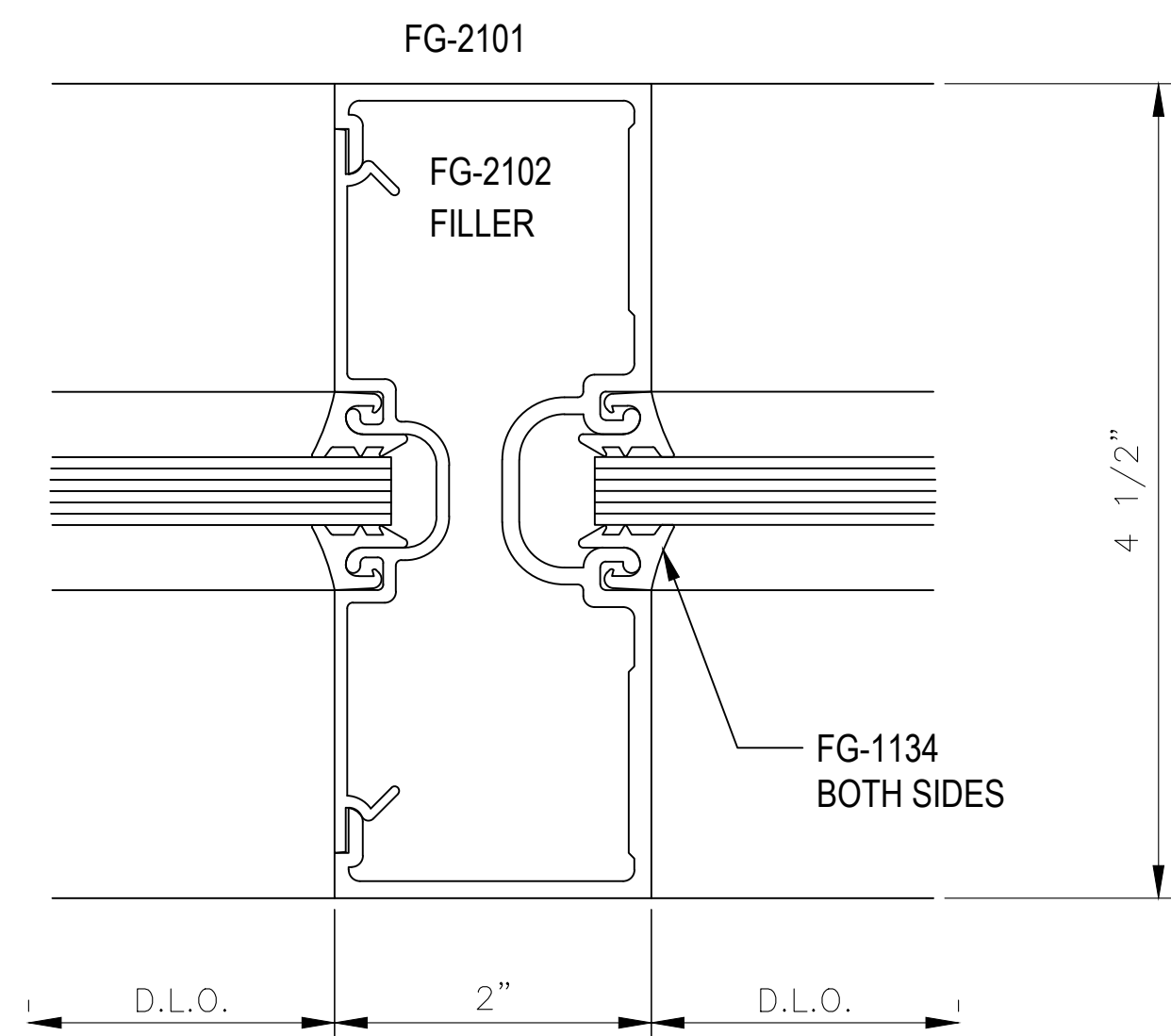
BY	BG	BG	BG
SUBMITTAL / REVISION			
JOB NO.			
REV. NO.			



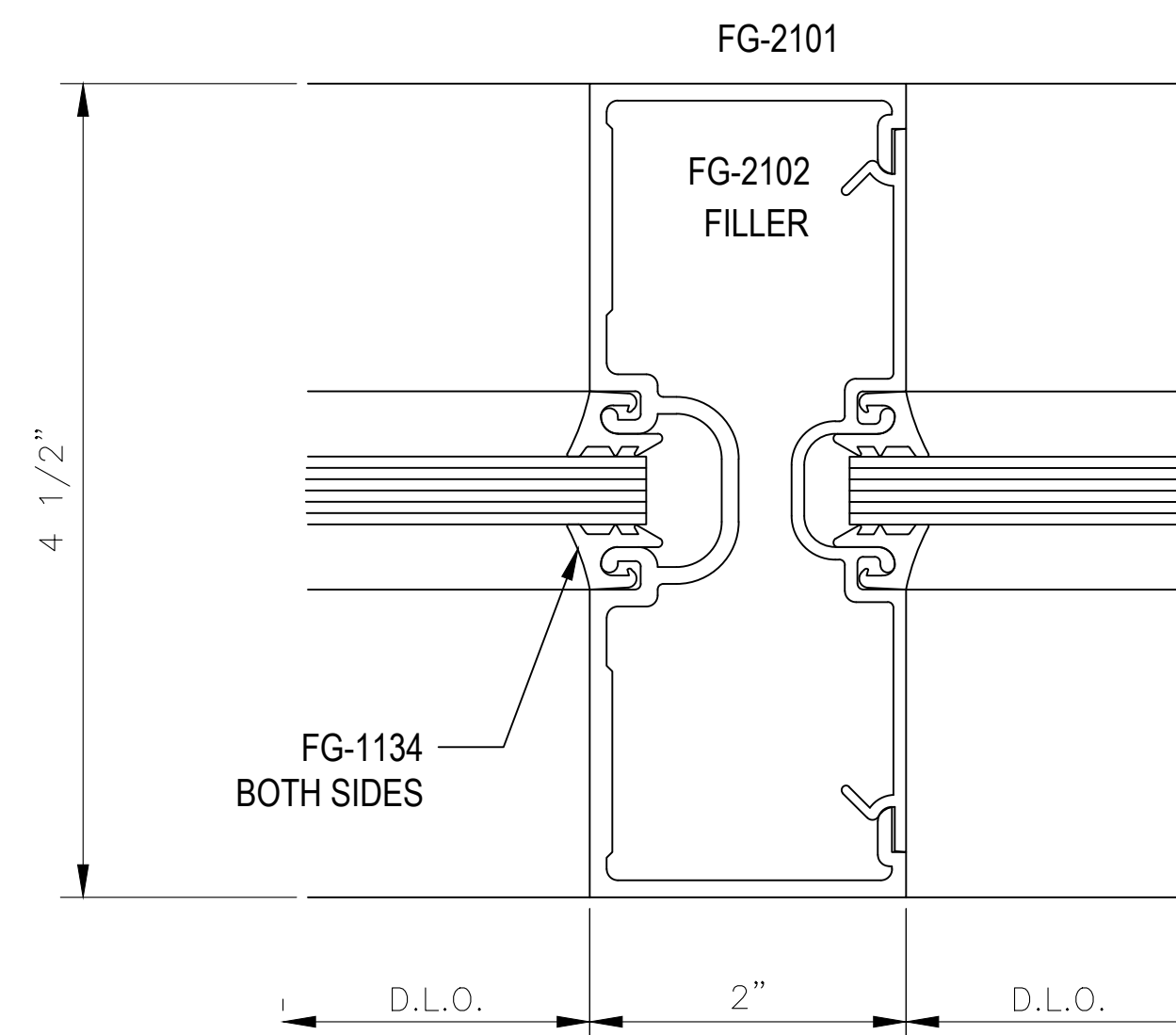
15 DOOR JAMB TRANSOM
305 OLDCASTLE B.E. FG-2000 CENTER SET INTERIOR STOREFRONT
ARCH. REF.: N/A
FRAME: SF1L - SF2L - SF2L.1 - SF2L.2



16 DOOR JAMB TRANSOM
305 OLDCASTLE B.E. FG-2000 CENTER SET INTERIOR STOREFRONT
ARCH. REF.: N/A
FRAME: SF1R - SF1R.1 - SF2R - SF2R.1 - SF2R.2



17 DOOR JAMB TRANSOM
305 OLDCASTLE B.E. FG-2000 CENTER SET INTERIOR STOREFRONT
ARCH. REF.: N/A
FRAME: SF2R - SF3

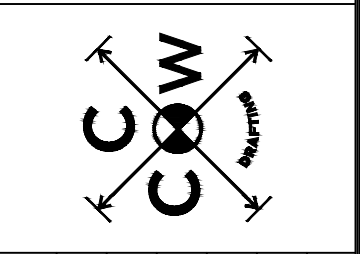


18 DOOR JAMB TRANSOM
305 OLDCASTLE B.E. FG-2000 CENTER SET INTERIOR STOREFRONT
ARCH. REF.: N/A
FRAME: SF2L - SF3

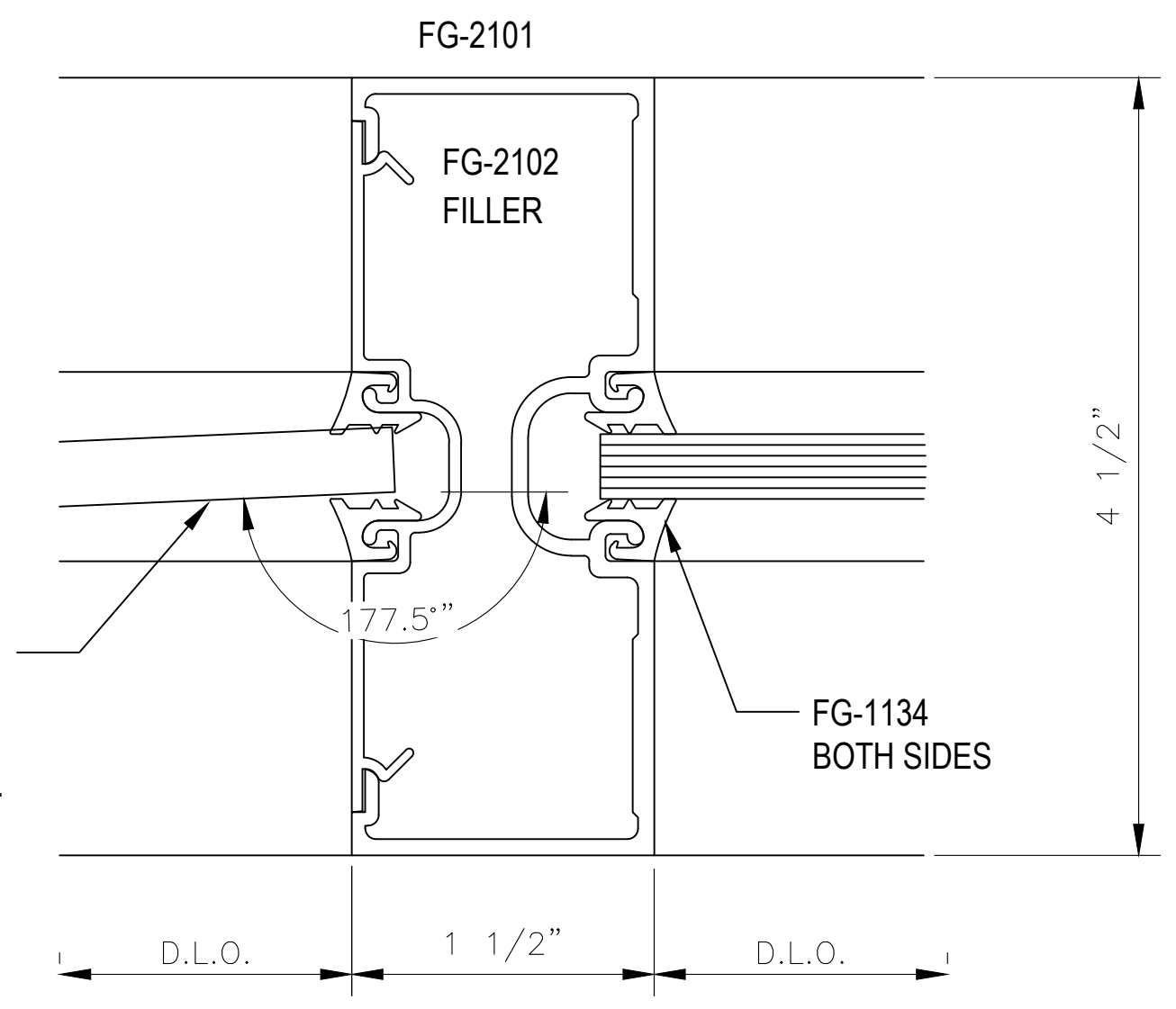
SCOPE:
SHOP DRAWINGS
FOR (SCOPE OF
WORK)

PROJECT:
VANDERBILT UNIVERSITY
ENGINEERING AND SCIENCE
BUILDING - LEVEL 5 & 6 FITOUT
2414 HIGHLAND AVE.
NASHVILLE, TN 37212

**ALEXANDER
METALS INC.**
ARCHITECTURAL PRODUCT SPECIALISTS
487 CAVE RD NASHVILLE, TENNESSEE 37210
PHONE: (615) 256-8070 FAX: (615) 256-9523
www.AlexanderMetalsInc.com



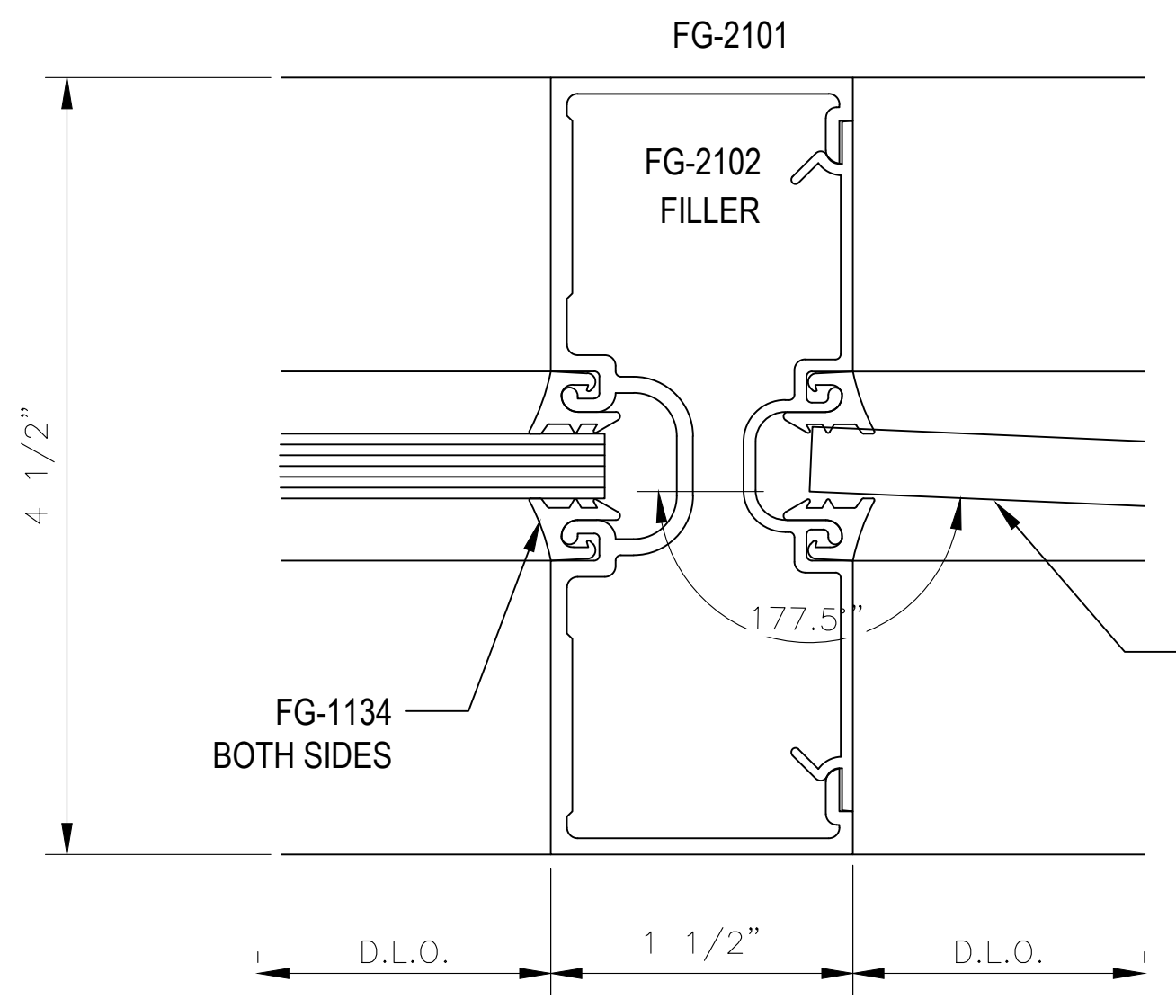
NO.	DATE	REVISION
1.1	02.09.23	DRAFT FOR AM REVIEW
1.2	03.09.23	1ST REVISION
1.3	04.20.23	1ST REVISION
SUBMITTAL / REVISION		
BY: BG		
JOB NO.		
REV. NO.		



AT ANGLED SIDELITES.
ALIGN GLASS POCKETS, PUT STOP AT TOP
ON WIDE SIDE OF D.L.O.
FLOAT GLASS IN POCKET FROM JAMB TO FILLER.

19 DOOR JAMB TRANSOM

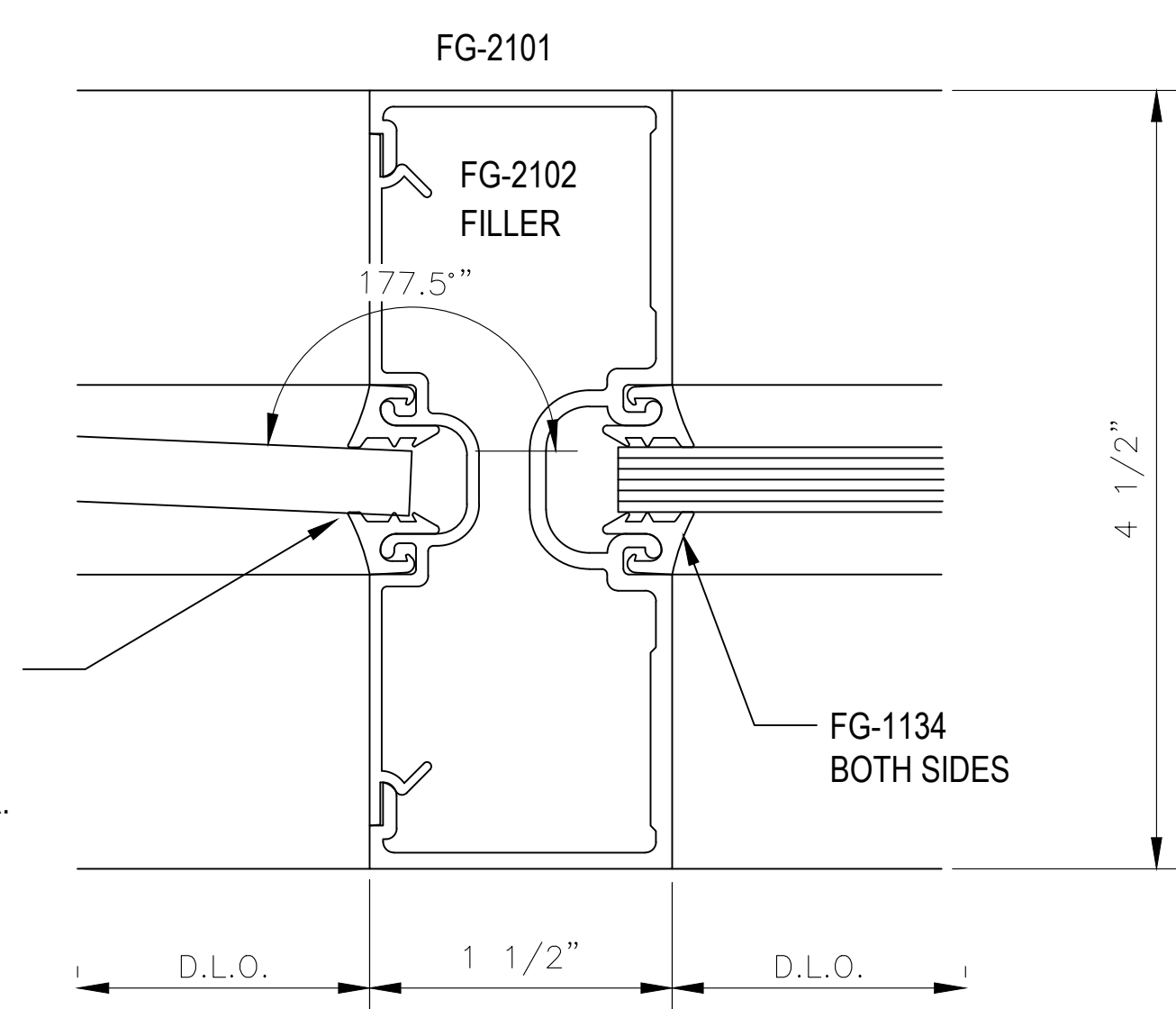
306 OLDCASTLE B.E. FG-2000 CENTER SET INTERIOR STOREFRONT
ARCH. REF.: N/A
FRAME: SF2R.1



AT ANGLED SIDELITES.
ALIGN GLASS POCKETS, PUT STOP AT TOP
ON WIDE SIDE OF D.L.O.
FLOAT GLASS IN POCKET FROM JAMB TO FILLER.

20 DOOR JAMB TRANSOM

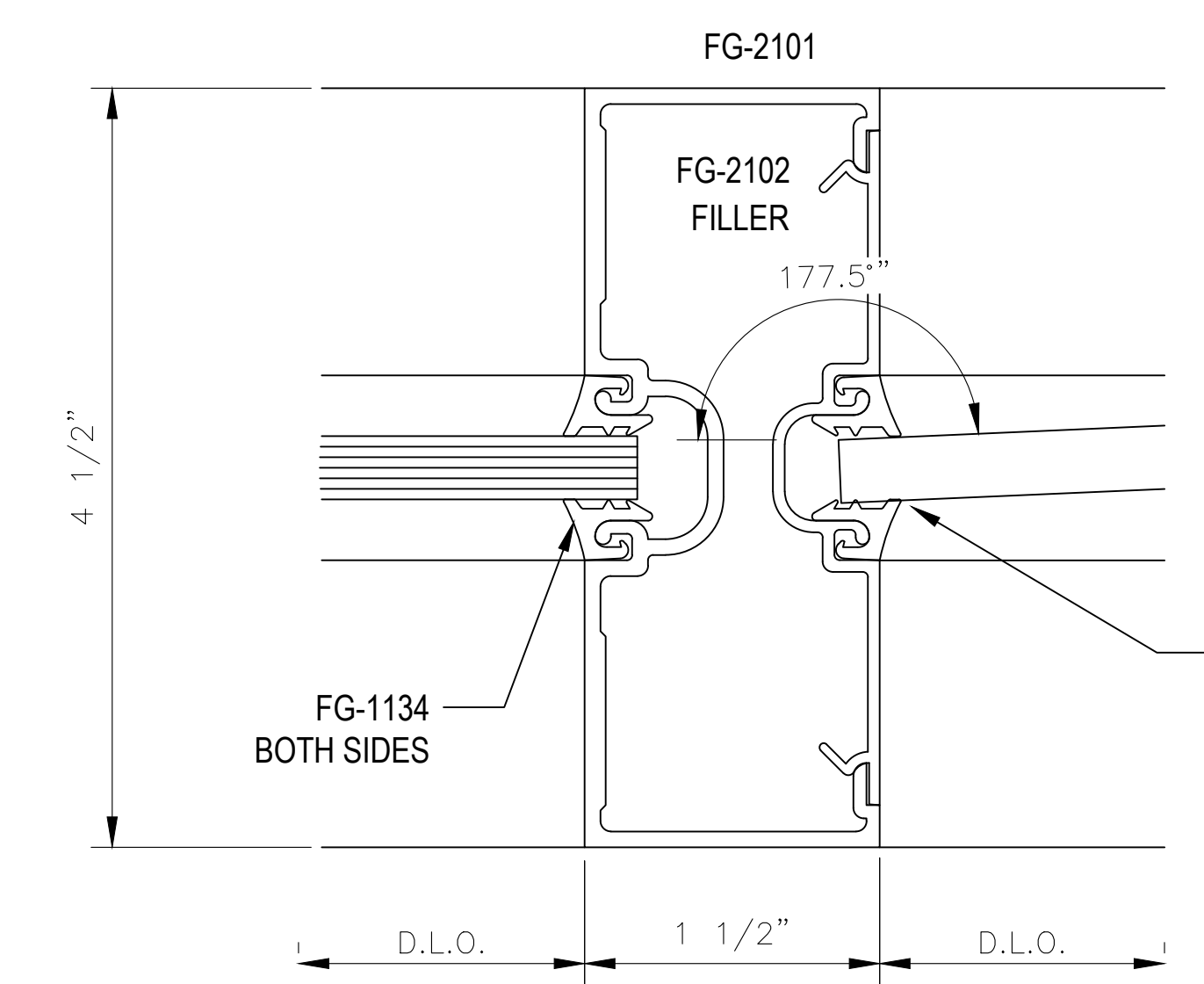
306 OLDCASTLE B.E. FG-2000 CENTER SET INTERIOR STOREFRONT
ARCH. REF.: N/A
FRAME: SF2L.1



AT ANGLED SIDELITES.
ALIGN GLASS POCKETS, PUT STOP AT TOP
ON WIDE SIDE OF D.L.O.
FLOAT GLASS IN POCKET FROM JAMB TO FILLER.

21 DOOR JAMB TRANSOM

306 OLDCASTLE B.E. FG-2000 CENTER SET INTERIOR STOREFRONT
ARCH. REF.: N/A
FRAME: SF2R.2



AT ANGLED SIDELITES.
ALIGN GLASS POCKETS, PUT STOP AT TOP
ON WIDE SIDE OF D.L.O.
FLOAT GLASS IN POCKET FROM JAMB TO FILLER.

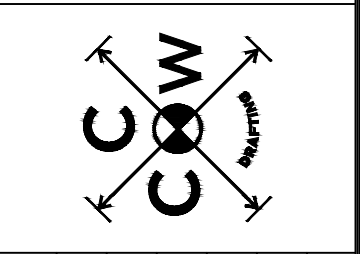
22 DOOR JAMB TRANSOM

306 OLDCASTLE B.E. FG-2000 CENTER SET INTERIOR STOREFRONT
ARCH. REF.: N/A
FRAME: SF2L.2

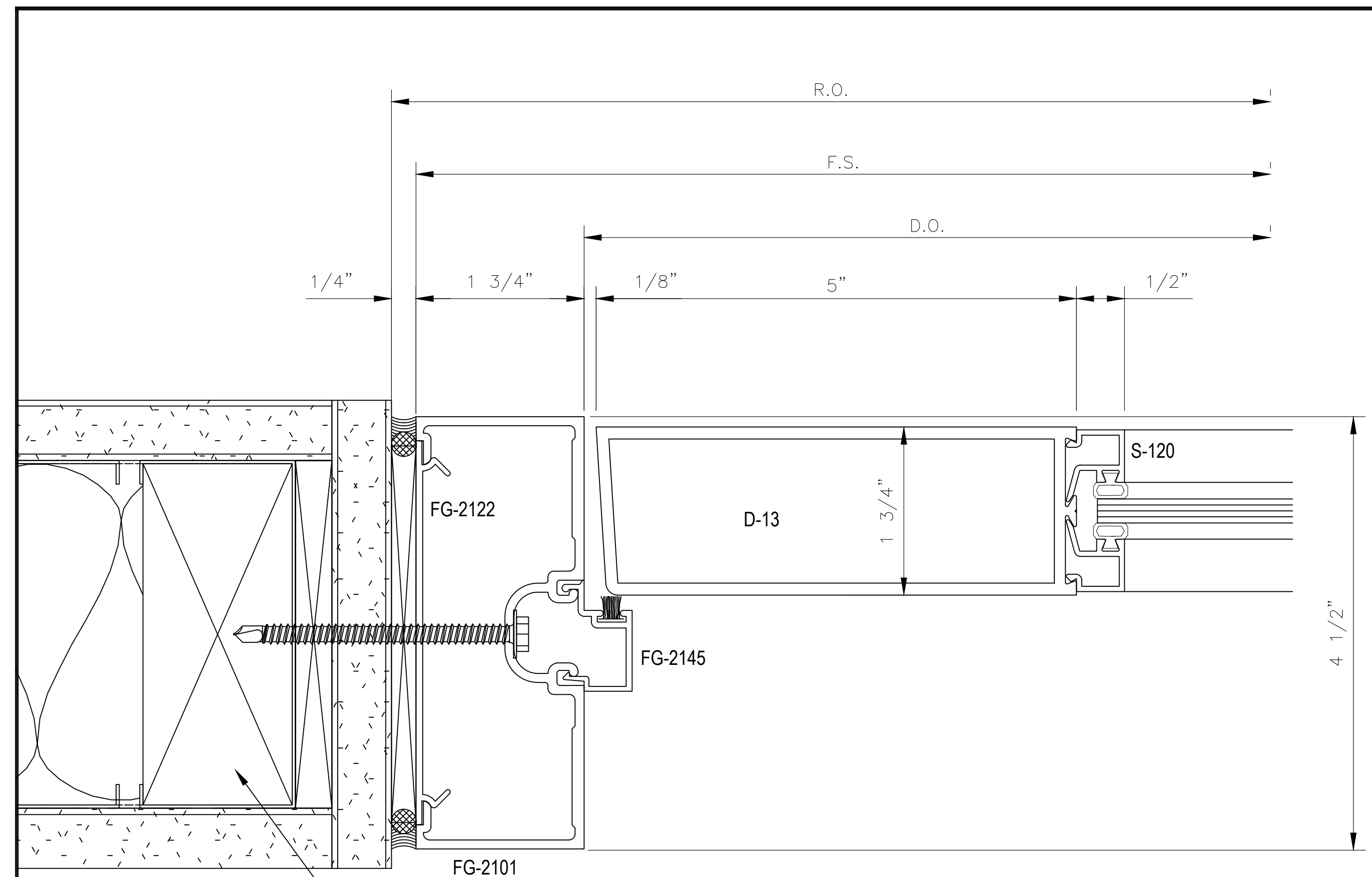
SCOPE:
SHOP DRAWINGS
FOR (SCOPE OF
WORK)

PROJECT:
VANDERBILT UNIVERSITY
ENGINEERING AND SCIENCE
BUILDING - LEVEL 5 & 6 FITOUT
2414 HIGHLAND AVE.
NASHVILLE, TN 37212

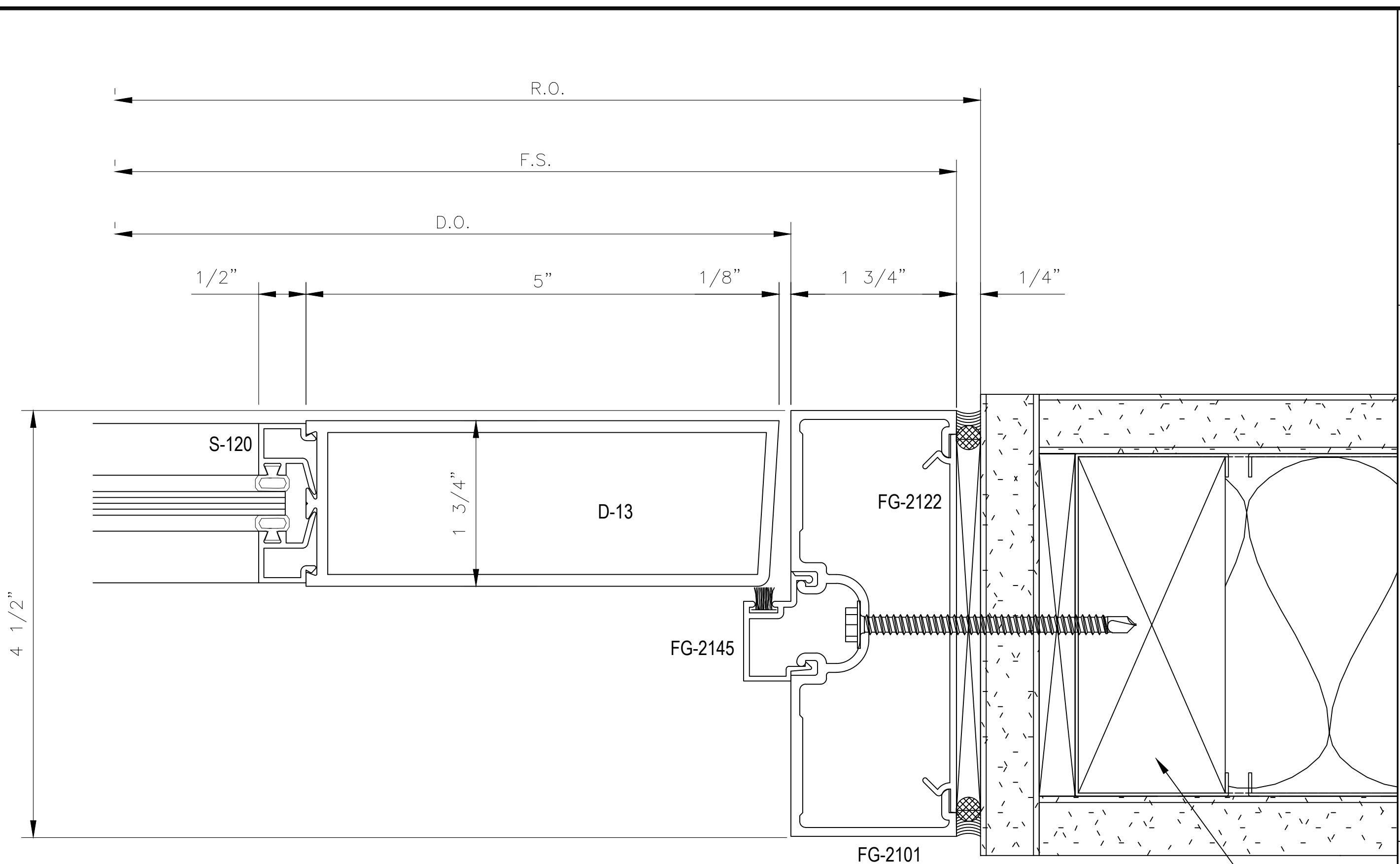
**ALEXANDER
METALS INC.**
ARCHITECTURAL PRODUCT SPECIALISTS
487 CAVE RD NASHVILLE, TENNESSEE 37210
PHONE: (615) 256-8070 FAX: (615) 256-9523
www.AlexanderMetalsInc.com



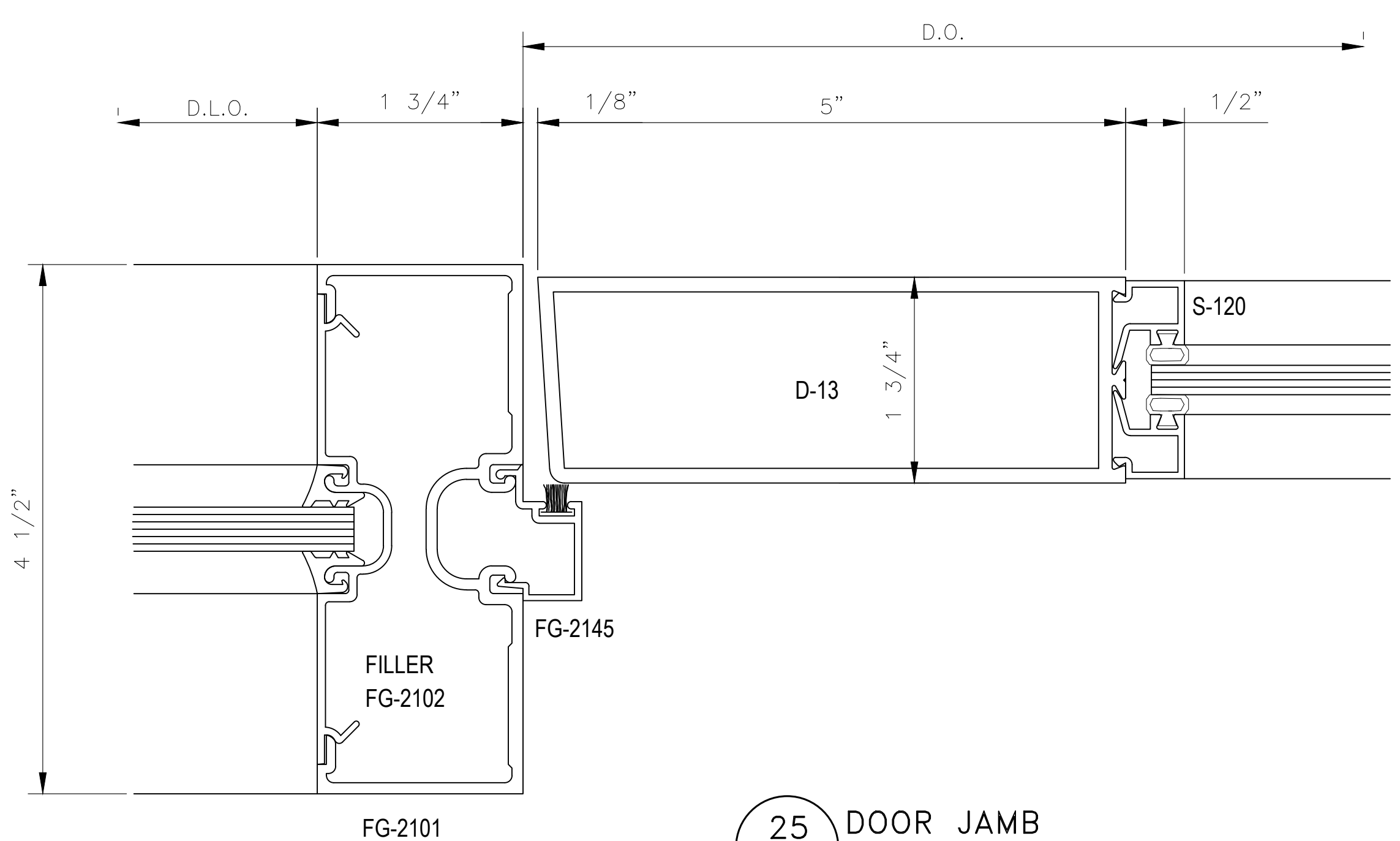
NO.	DATE	BY	REVISION
1.1	02.20.23	BG	DRAFT FOR ARCH REVIEW
1.2	03.09.23	BG	1ST REVISION
1.3	04.20.23	BG	1ST REVISION
SUBMITTAL / REVISION			
JOB NO.			
REV. NO.			



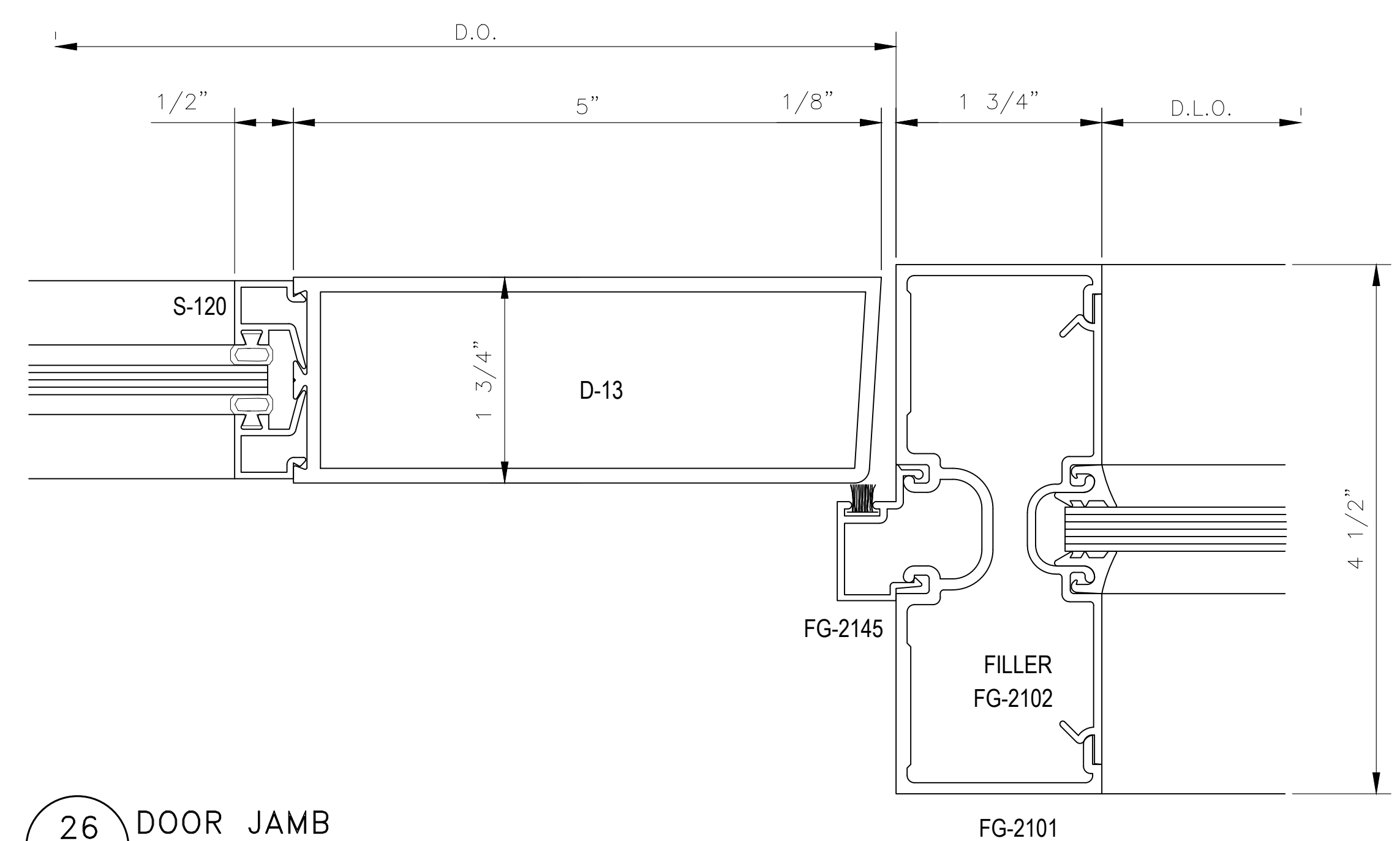
23 DOOR JAMB
307 OLDCASTLE B.E. FG-2000 CENTER SET INTERIOR STOREFRONT
ARCH. REF.: N/A
FRAME: SF1L - SF2L - SF2L.1 - SF2L.2



24 DOOR JAMB
307 OLDCASTLE B.E. FG-2000 CENTER SET INTERIOR STOREFRONT
ARCH. REF.: N/A
FRAME: SF1R - SF1R.1 - SF2R - SF2R.1 - SF2R.2



25 DOOR JAMB
307 OLDCASTLE B.E. FG-2000 CENTER SET INTERIOR STOREFRONT
ARCH. REF.: N/A
FRAME: SF1R - SF1R.1 - SF2R

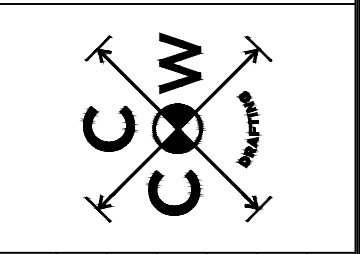


26 DOOR JAMB
307 OLDCASTLE B.E. FG-2000 CENTER SET INTERIOR STOREFRONT
ARCH. REF.: N/A
FRAME: SF1L - SF2L

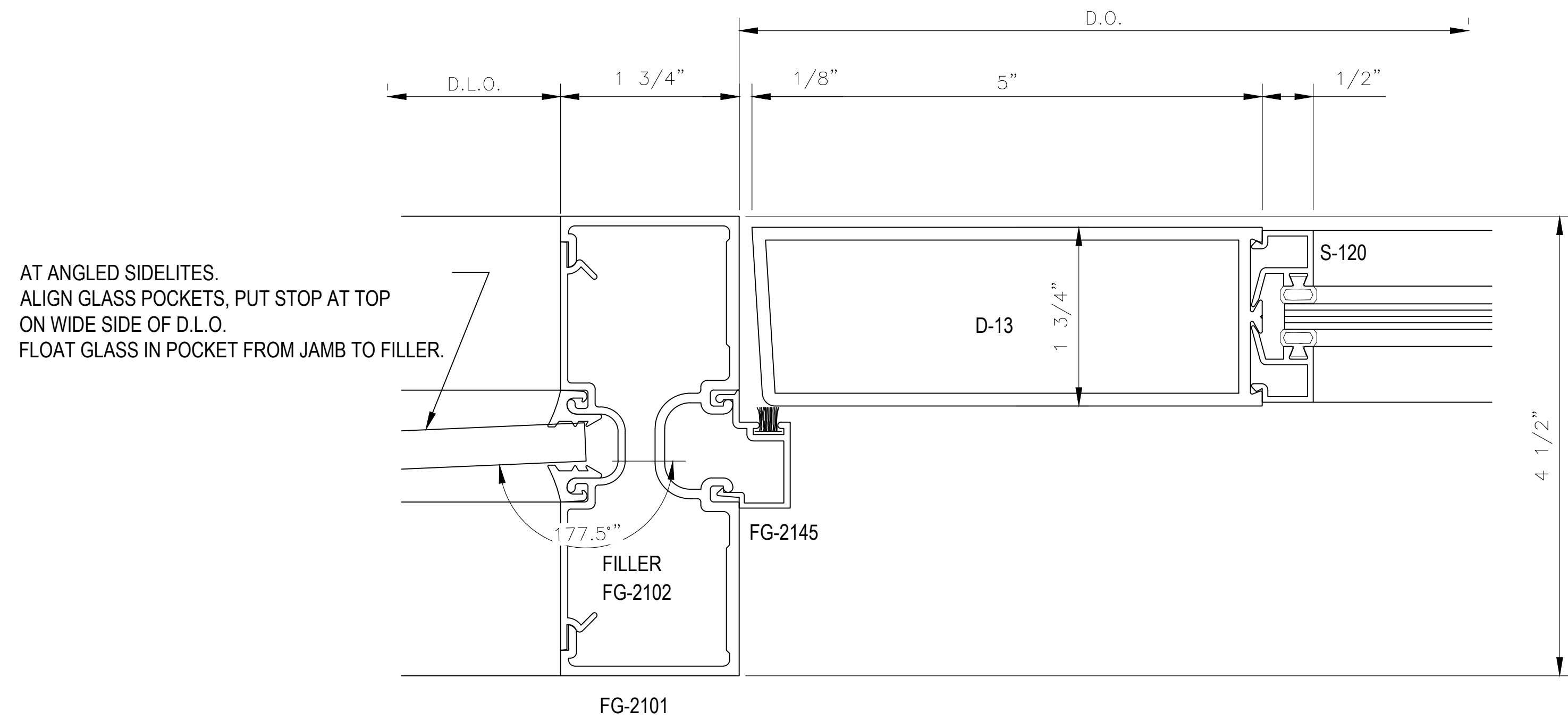
SCOPE:
SHOP DRAWINGS
FOR (SCOPE OF
WORK)

PROJECT:
VANDERBILT UNIVERSITY
ENGINEERING AND SCIENCE
BUILDING - LEVEL 5 & 6 FITOUT
2414 HIGHLAND AVE.
NASHVILLE, TN 37212

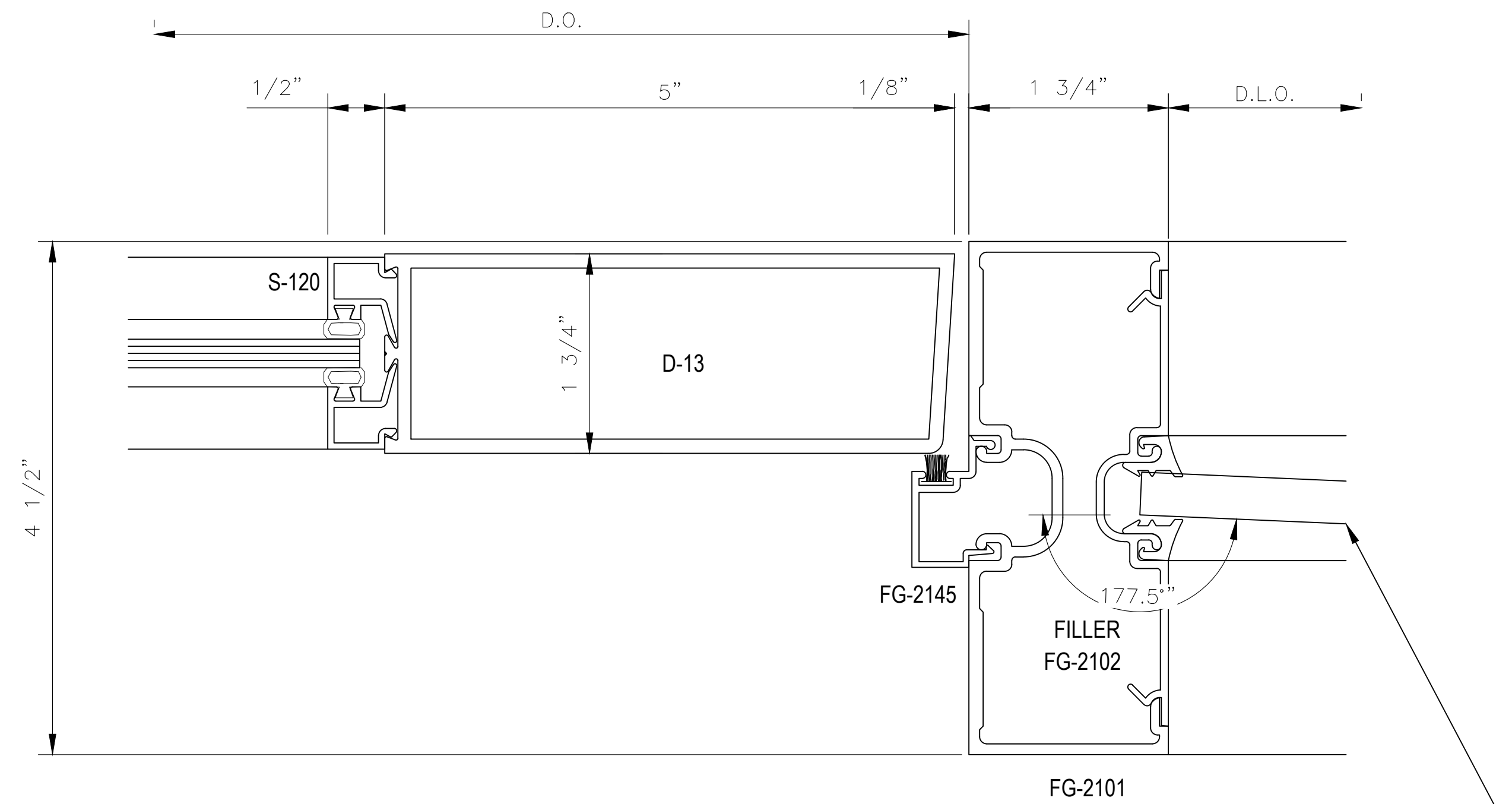
**ALEXANDER
METALS INC.**
ARCHITECTURAL PRODUCT SPECIALISTS
487 CAVE RD NASHVILLE, TENNESSEE 37210
PHONE: (615) 256-8070 FAX: (615) 256-9523
www.AlexanderMetalsInc.com



NO.	DATE	REVISION
1.1	02.09.23	DRAW FOR AM REVIEW
1.2	03.09.23	1ST REVISION
1.3	04.20.23	1ST REVISION

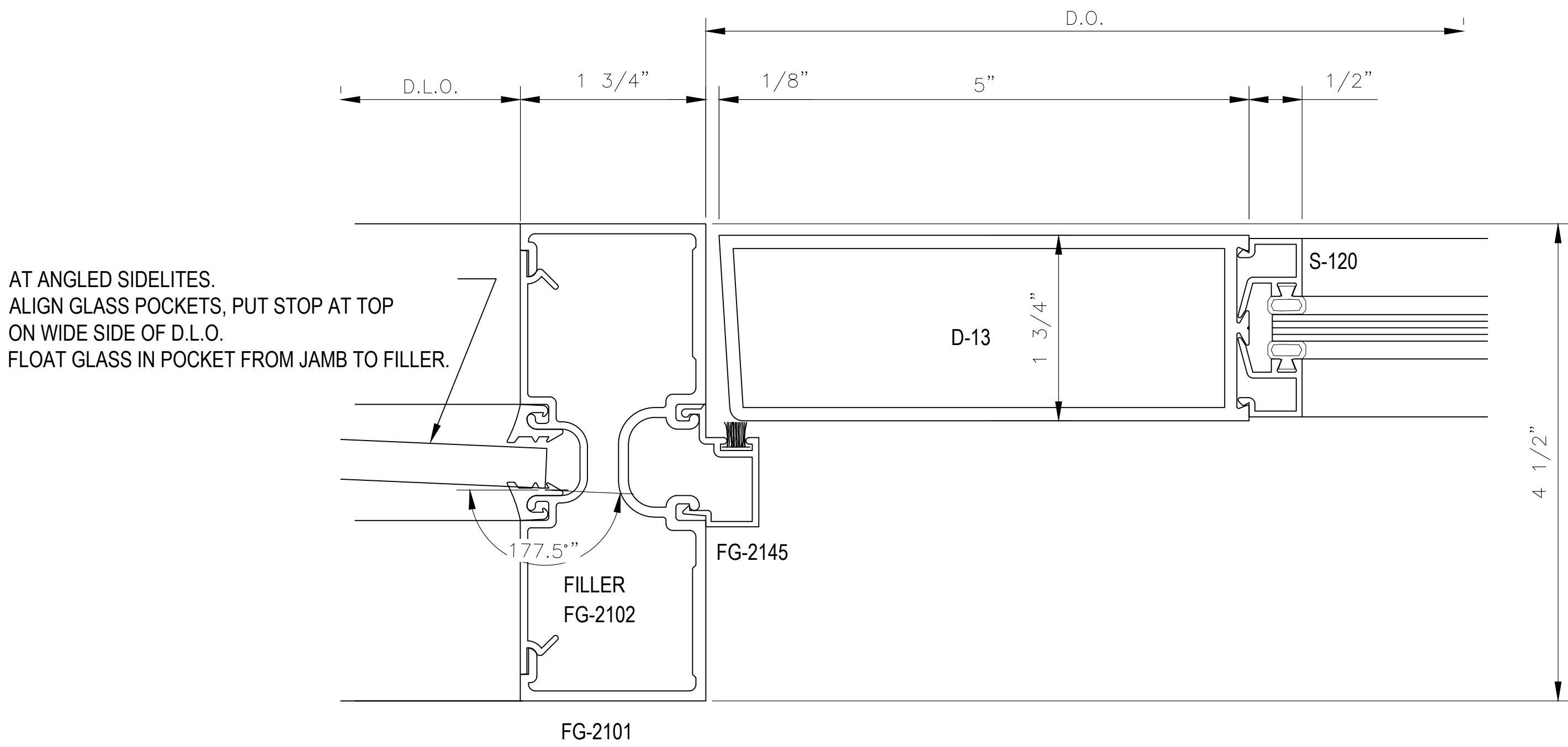


27 DOOR JAMB
308 OLDCASTLE B.E. FG-2000 CENTER SET INTERIOR STOREFRONT
ARCH. REF.: N/A
FRAME: SF2R.1

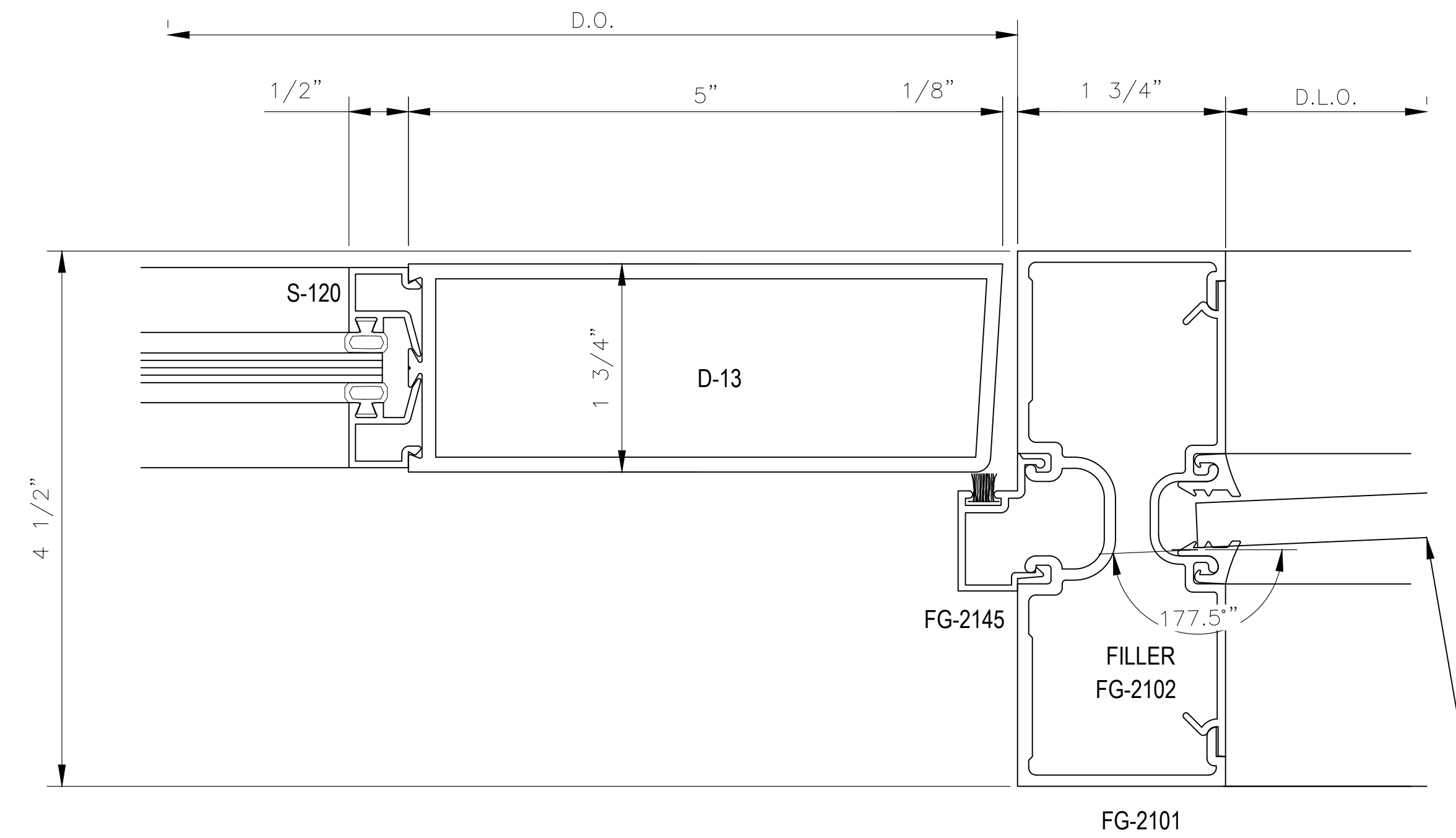


28 DOOR JAMB
308 OLDCASTLE B.E. FG-2000 CENTER SET INTERIOR STOREFRONT
ARCH. REF.: N/A
FRAME: SF2L.1

AT ANGLED SIDELITES.
ALIGN GLASS POCKETS, PUT STOP AT TOP
ON WIDE SIDE OF D.L.O.
FLOAT GLASS IN POCKET FROM JAMB TO FILLER.



29 DOOR JAMB
308 OLDCASTLE B.E. FG-2000 CENTER SET INTERIOR STOREFRONT
ARCH. REF.: N/A
FRAME: SF2R.2



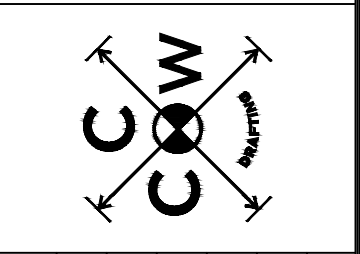
30 DOOR JAMB
308 OLDCASTLE B.E. FG-2000 CENTER SET INTERIOR STOREFRONT
ARCH. REF.: N/A
FRAME: SF2L.2

AT ANGLED SIDELITES.
ALIGN GLASS POCKETS, PUT STOP AT TOP
ON WIDE SIDE OF D.L.O.
FLOAT GLASS IN POCKET FROM JAMB TO FILLER.

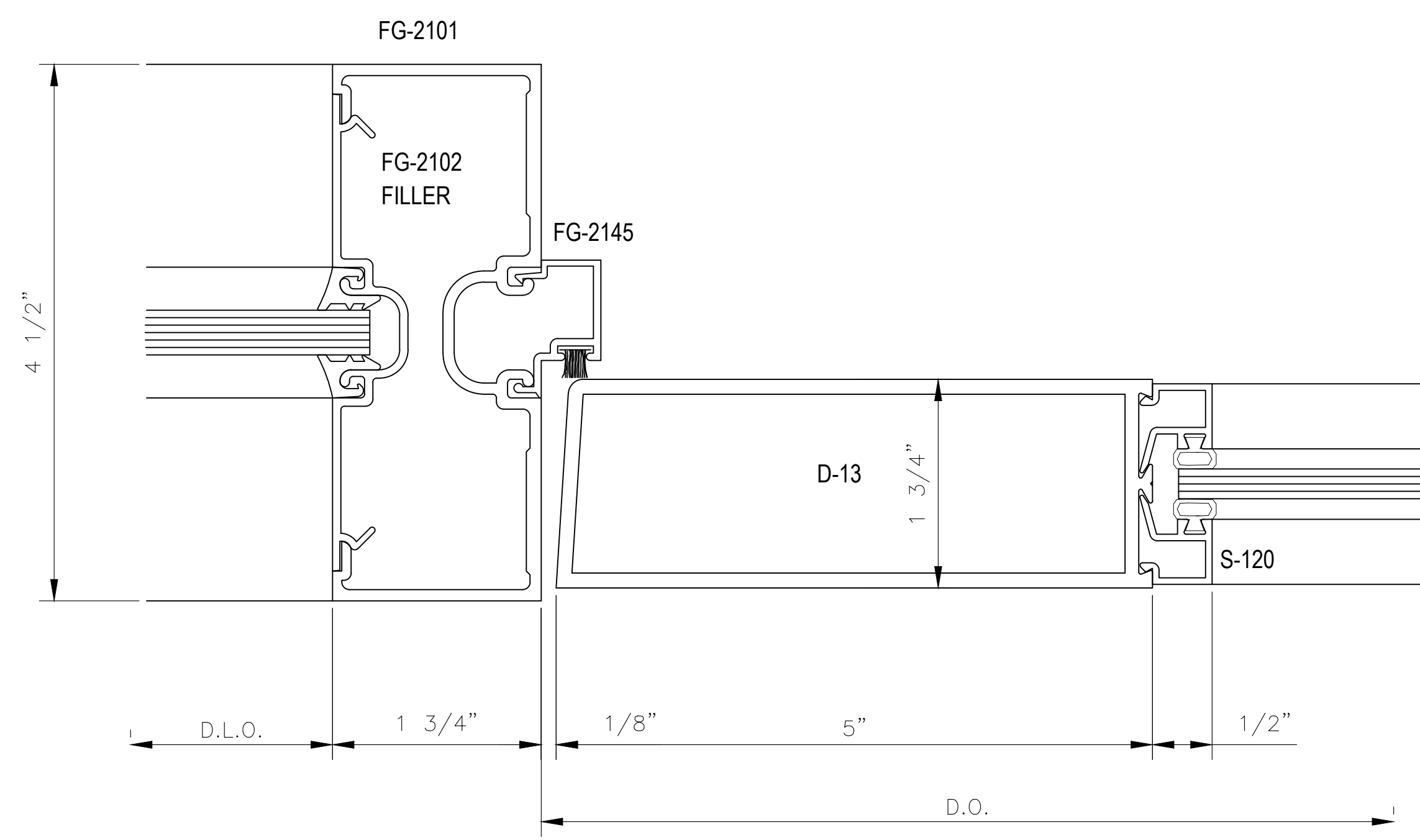
SCOPE:
SHOP DRAWINGS
FOR (SCOPE OF
WORK)

PROJECT:
VANDERBILT UNIVERSITY
ENGINEERING AND SCIENCE
BUILDING - LEVEL 5 & 6 FITOUT
2414 HIGHLAND AVE.
NASHVILLE, TN 37212

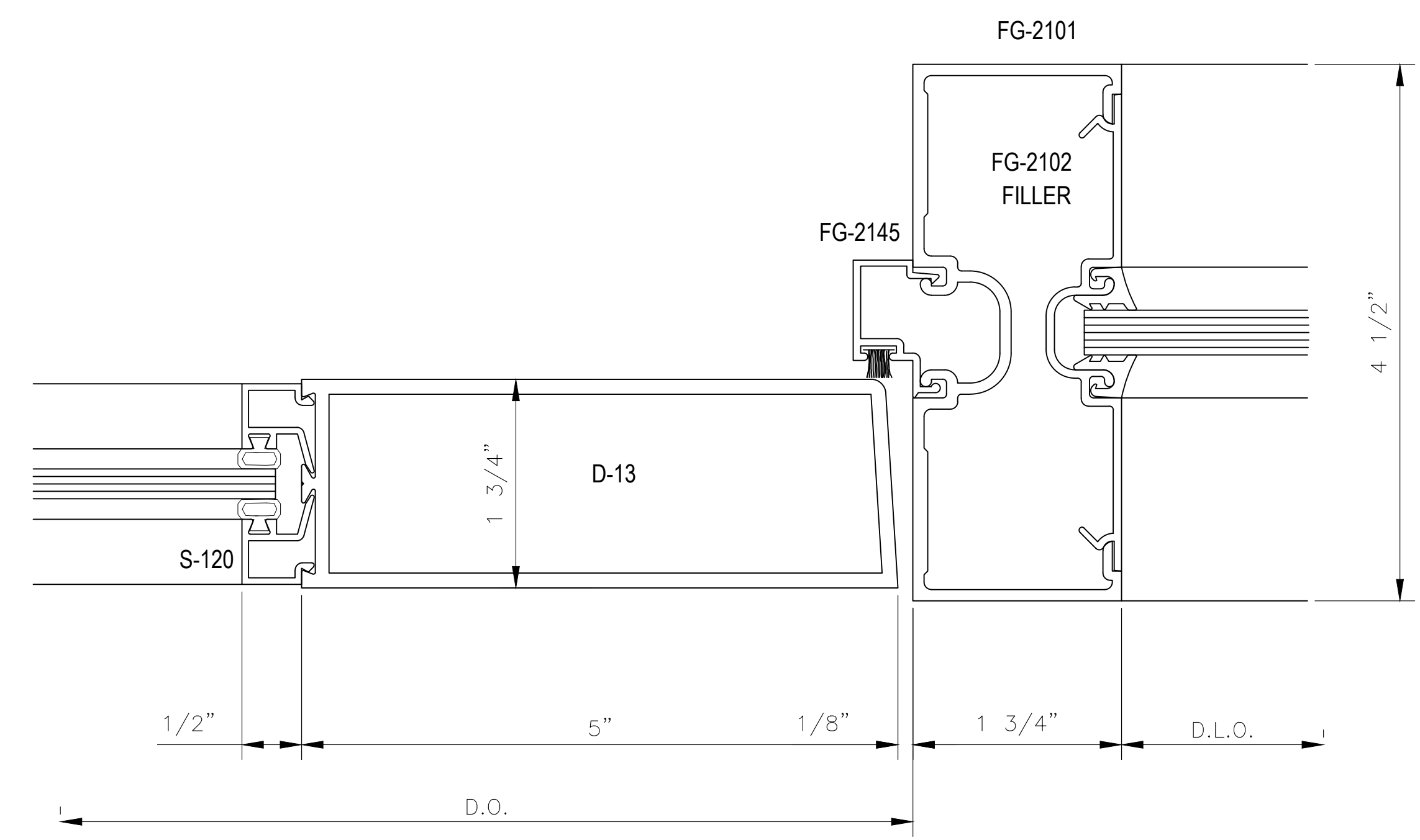
**ALEXANDER
METALS INC.**
ARCHITECTURAL PRODUCT SPECIALISTS
487 CAVE RD NASHVILLE, TENNESSEE 37210
PHONE: (615) 256-8070 FAX: (615) 256-9523
www.AlexanderMetalsInc.com



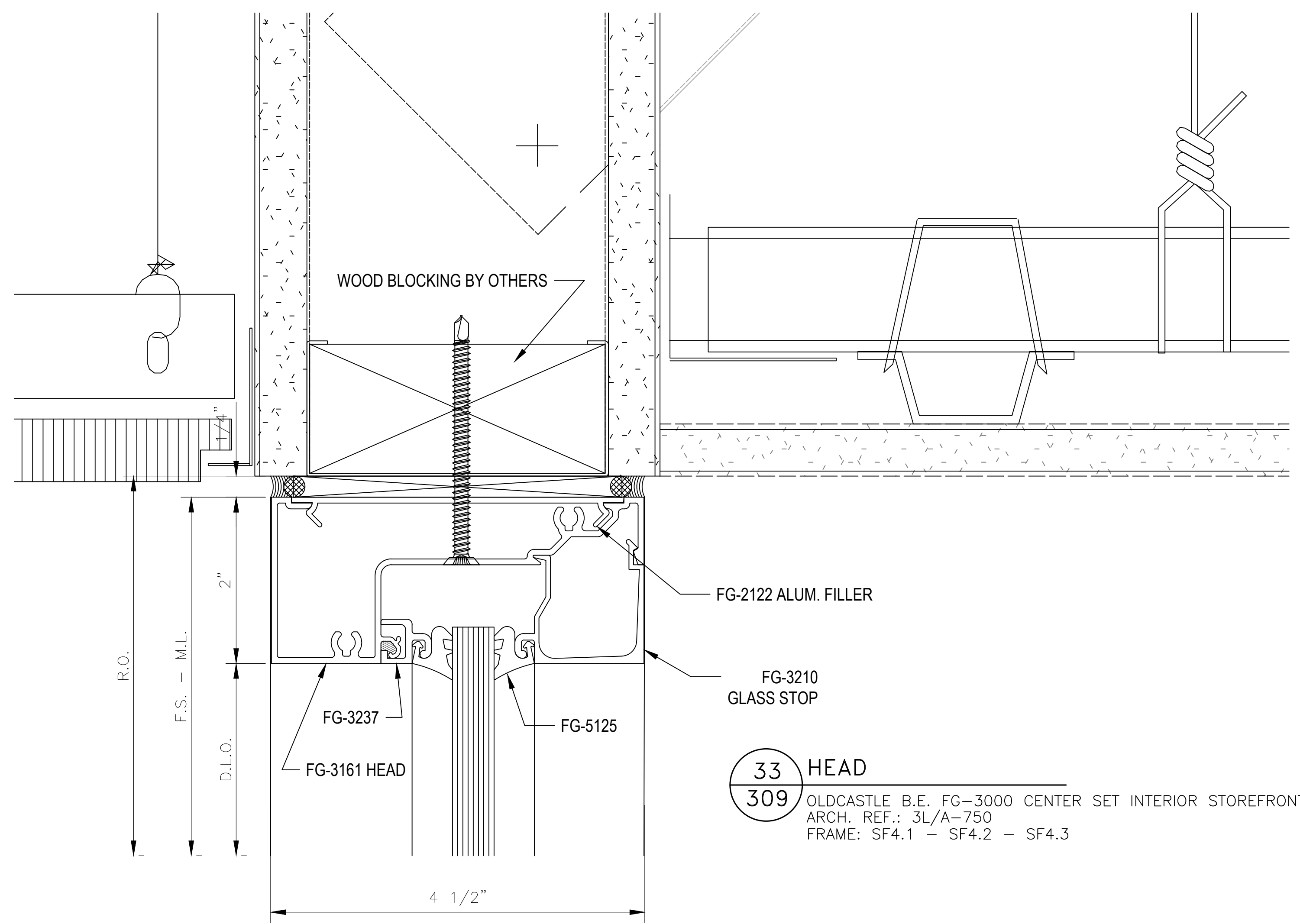
NO.	DATE	REVISION
1.1	02/20/23	DRAFT FOR ARCH REVIEW
1.2	03/09/23	1ST REVISION
1.3	04/20/23	1ST REVISION



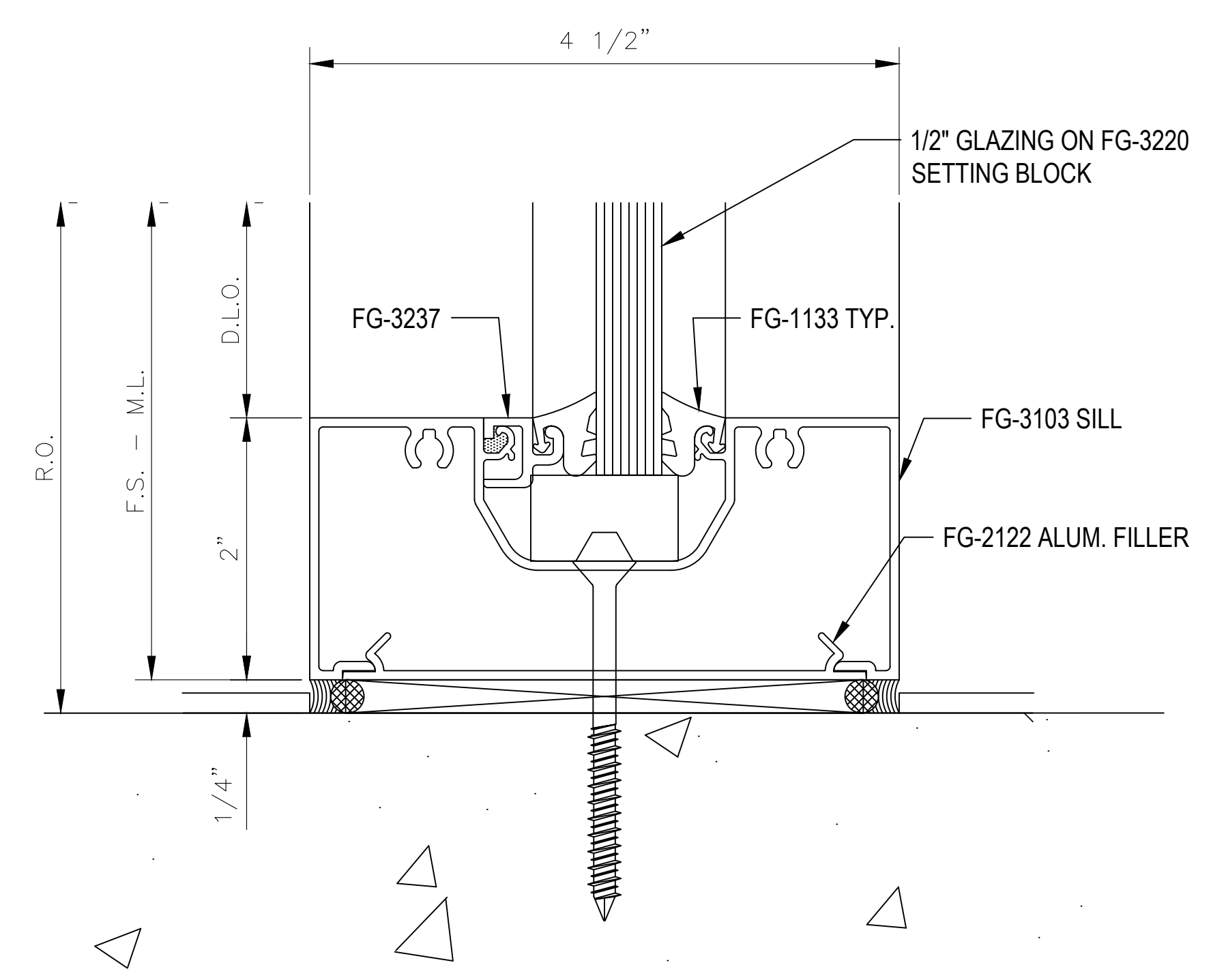
31 DOOR JAMB
309 OLDCASTLE B.E. FG-2000 CENTER SET INTERIOR STOREFRONT
 ARCH. REF.: N/A
 FRAME: SF3



32 DOOR JAMB
309 OLDCASTLE B.E. FG-2000 CENTER SET INTERIOR STOREFRONT
 ARCH. REF.: N/A
 FRAME: SF3

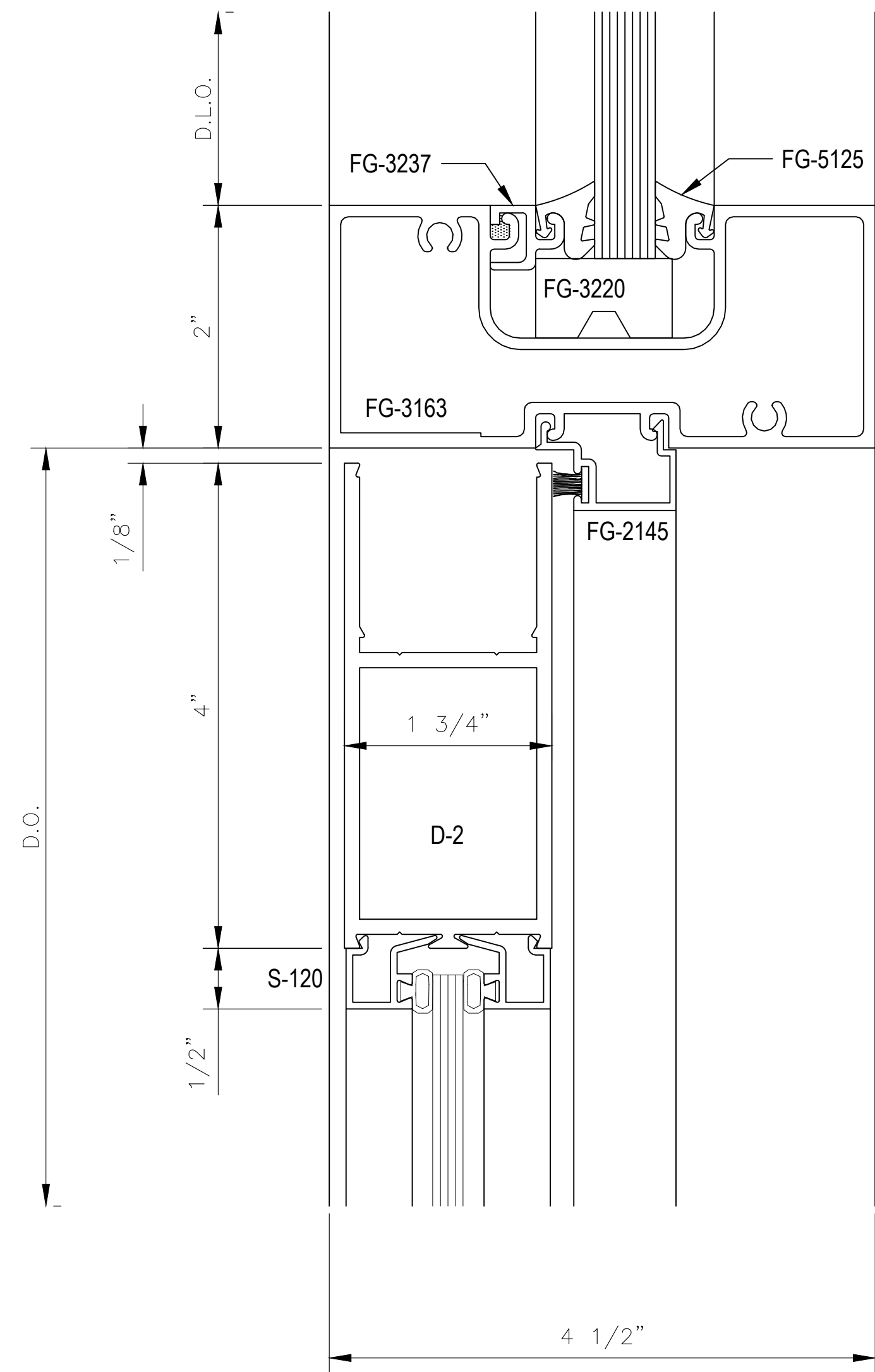


33 HEAD
309 OLDCASTLE B.E. FG-3000 CENTER SET INTERIOR STOREFRONT
 ARCH. REF.: 3L/A-750
 FRAME: SF4.1 - SF4.2 - SF4.3

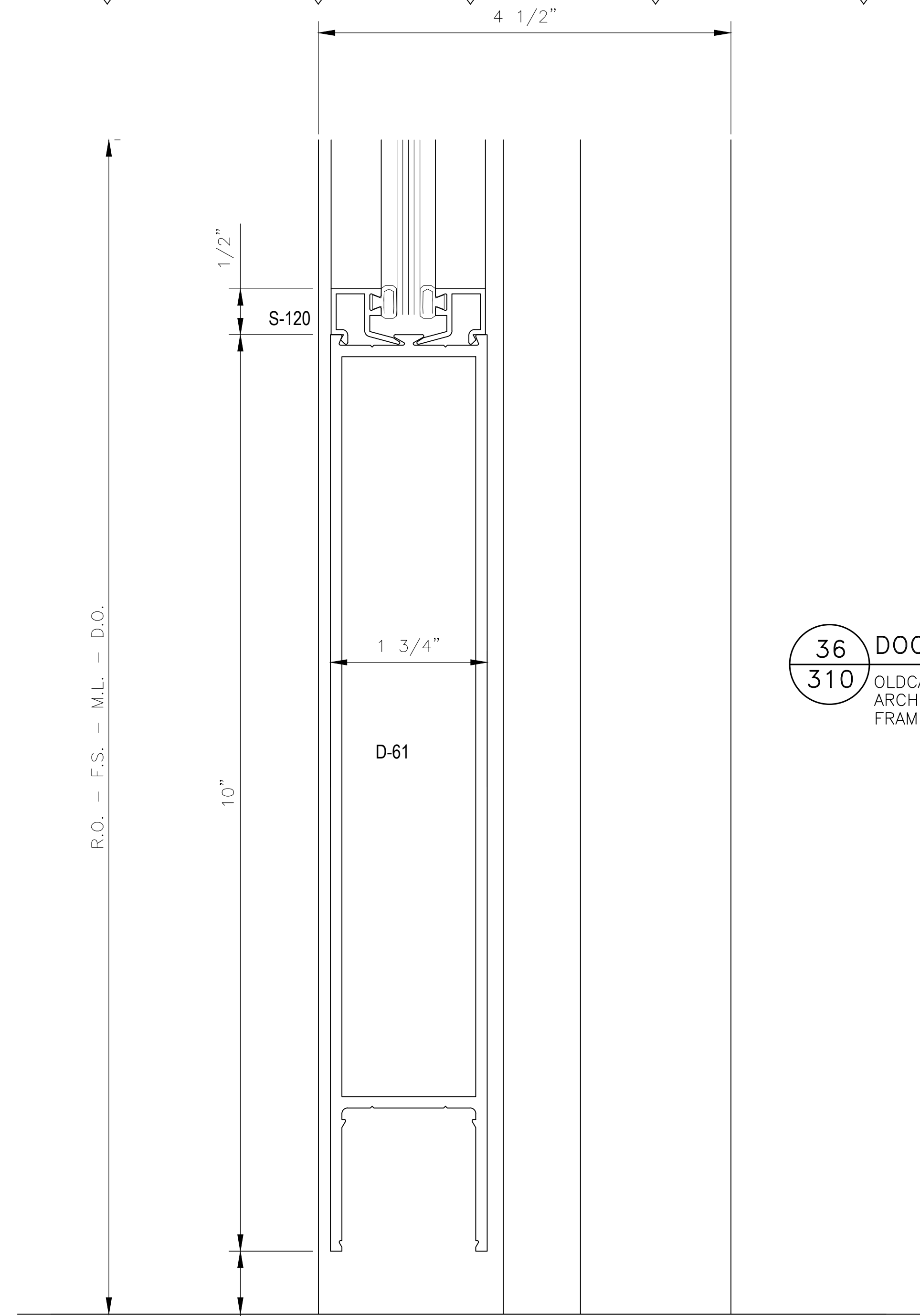


34 SILL
309 OLDCASTLE B.E. FG-3000 CENTER SET INTERIOR STOREFRONT
 ARCH. REF.: 1L/A-750
 FRAME: SF4.1 - SF4.2 - SF4.3

2



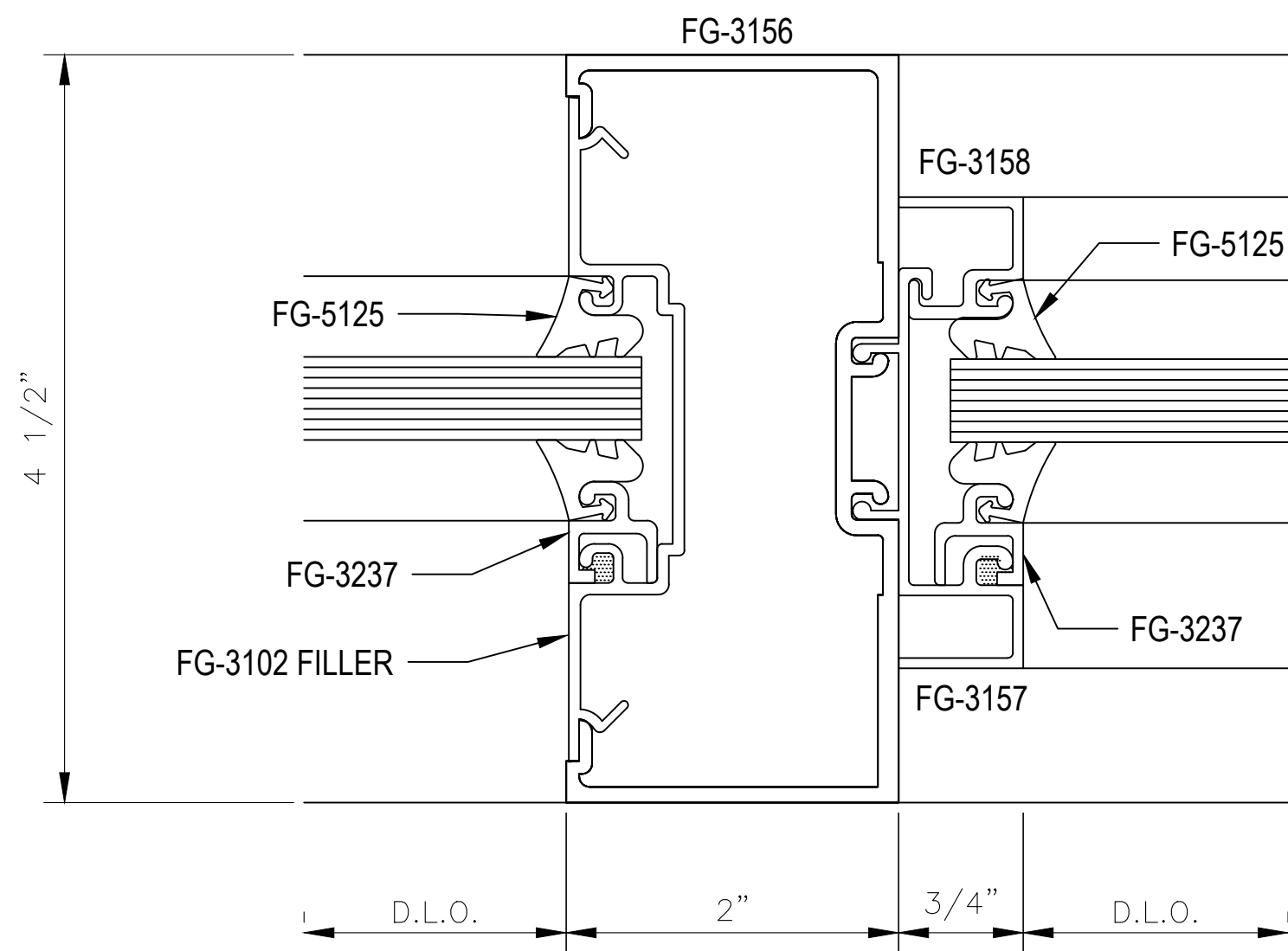
35 DOOR HEADER
310 OLDCASTLE B.E. FG-3000 CENTER SET INTERIOR STOREFRONT
 ARCH. REF.: N/A
 FRAME: SF4.1 - SF4.2 - SF4.3



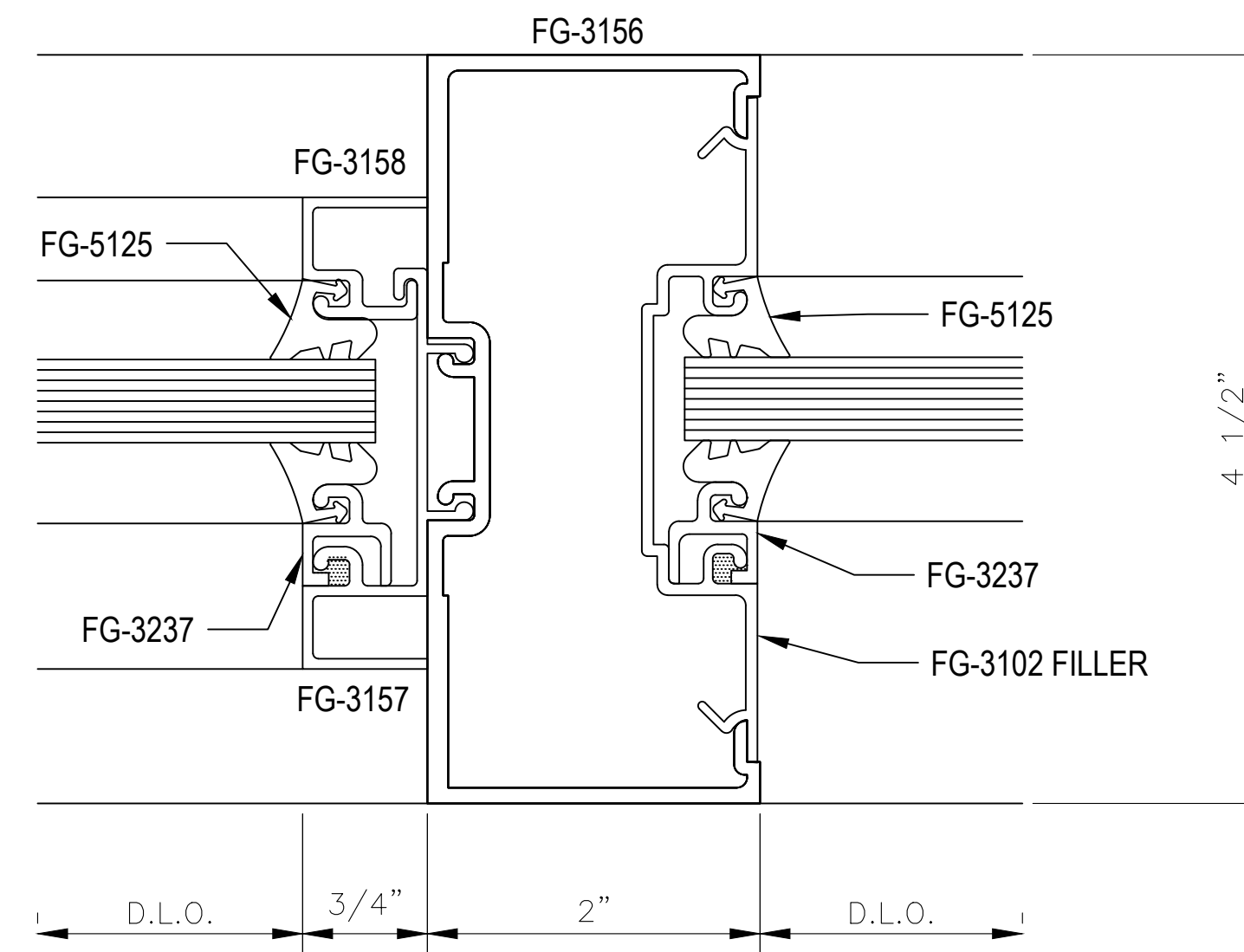
36 DOOR SILL
310 OLDCASTLE B.E. FG-3000 CENTER SET INTERIOR STOREFRONT
 ARCH. REF.: N/A
 FRAME: SF4.1 - SF4.2 - SF4.3

SHEET NO.:		310													
SCALE:		N.T.S.													
SCOPE:		SHOP DRAWINGS FOR (SCOPE OF WORK)													
PROJECT:		VANDERBILT UNIVERSITY ENGINEERING AND SCIENCE BUILDING - LEVEL 5 & 6 FITOUT 2414 HIGHLAND AVE. NASHVILLE, TN 37212													
ARCHITECT:		ALEXANDER METALS INC. ARCHITECTURAL PRODUCT SPECIALISTS <small>487 CAVE RD NASHVILLE, TENNESSEE 37210 PHONE: (615) 256-8070 - FAX: (615) 256-9523 www.AlexanderMetalsInc.com</small>													
BY:		<table border="1"> <tr><td>BG</td><td></td></tr> <tr><td>BG</td><td></td></tr> <tr><td>BG</td><td></td></tr> </table>		BG		BG		BG							
BG															
BG															
BG															
SUBMITTAL / REVISION		<table border="1"> <tr><td>NO.</td><td>DATE</td><td>DESCRIPTION</td></tr> <tr><td>1.1</td><td>02.20.23</td><td>DRAFT FOR ANI REVIEW</td></tr> <tr><td>1.2</td><td>03.09.23</td><td>1ST REVISION</td></tr> <tr><td>1.3</td><td>04.20.23</td><td>1ST REVISION</td></tr> </table>		NO.	DATE	DESCRIPTION	1.1	02.20.23	DRAFT FOR ANI REVIEW	1.2	03.09.23	1ST REVISION	1.3	04.20.23	1ST REVISION
NO.	DATE	DESCRIPTION													
1.1	02.20.23	DRAFT FOR ANI REVIEW													
1.2	03.09.23	1ST REVISION													
1.3	04.20.23	1ST REVISION													
JOB NO.															
REV. NO.															
SHEET NO.:		310													

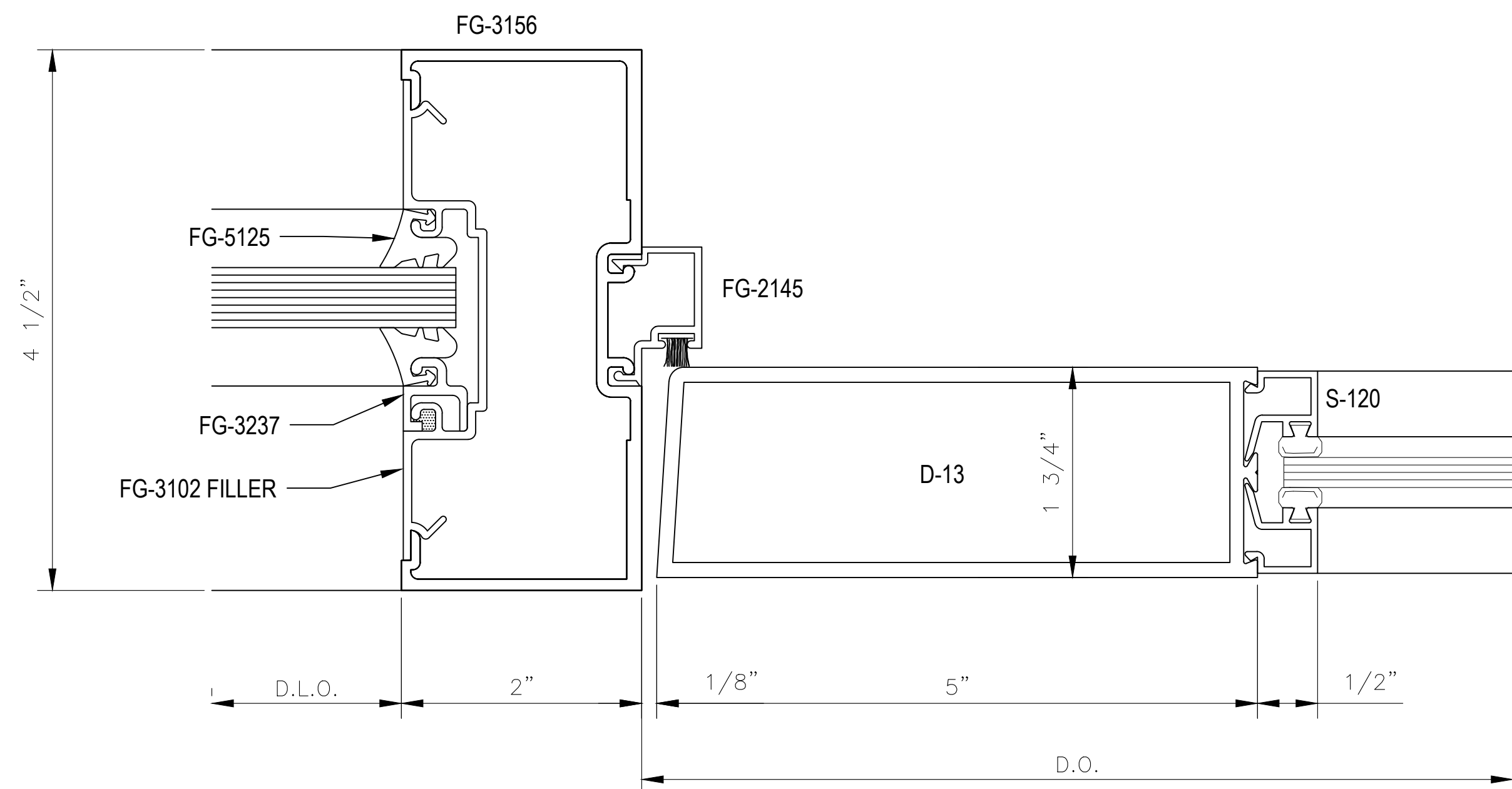
2



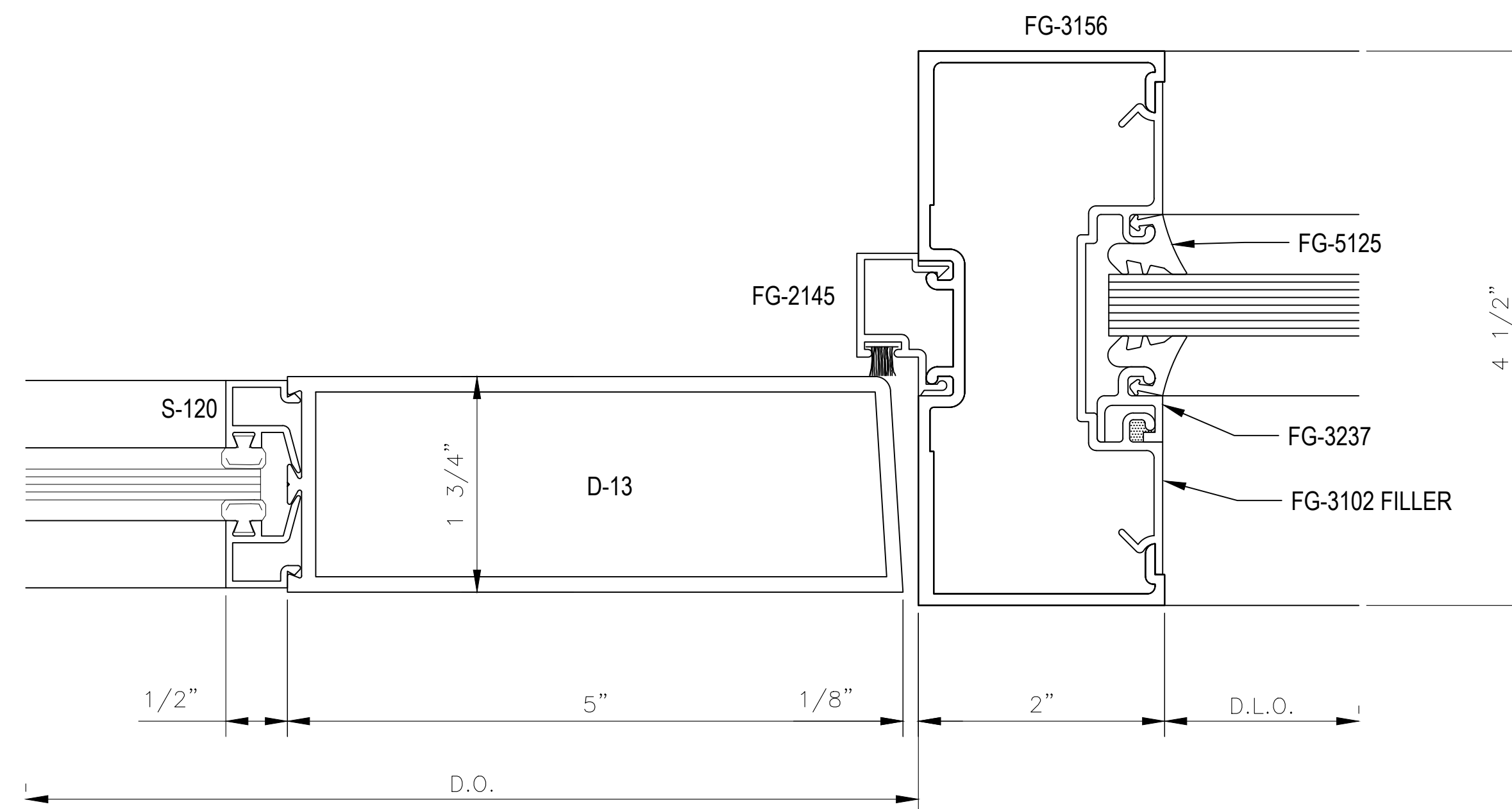
37 DOOR TRANSOM
310A OLDCASTLE B.E. FG-3000 CENTER SET INTERIOR STOREFRONT
 ARCH. REF.: N/A
 FRAME: SF4.1 - SF4.2 - SF4.3



38 DOOR TRANSOM
310A OLDCASTLE B.E. FG-3000 CENTER SET INTERIOR STOREFRONT
 ARCH. REF.: N/A
 FRAME: SF4.1 - SF4.2 - SF4.3



39 DOOR JAMB
310A OLDCASTLE B.E. FG-3000 CENTER SET INTERIOR STOREFRONT
 ARCH. REF.: N/A
 FRAME: SF4.1 - SF4.2 - SF4.3



40 DOOR JAMB
310A OLDCASTLE B.E. FG-3000 CENTER SET INTERIOR STOREFRONT
 ARCH. REF.: N/A
 FRAME: SF4.1 - SF4.2 - SF4.3

SHEET NO.: **310A**
 SCALE: N.T.S.

SCOPE: SHOP DRAWINGS FOR (SCOPE OF WORK)

PROJECT: VANDERBILT UNIVERSITY
 ENGINEERING AND SCIENCE
 BUILDING - LEVEL 5 & 6 FITOUT
 2414 HIGHLAND AVE.
 NASHVILLE, TN 37212

ALEXANDER METALS INC.
 ARCHITECTURAL PRODUCT SPECIALISTS
 487 CAVE RD NASHVILLE, TENNESSEE 37210
 PHONE: (615) 256-8070 FAX: (615) 256-9523
 www.AlexanderMetalsInc.com

COW

NO.	DATE	BY	REVISION
1.1	02.09.23	BG	DRAFT FOR AM REVIEW
1.2	03.09.23	BG	1ST REVISION
1.3	04.20.23	BG	1ST REVISION

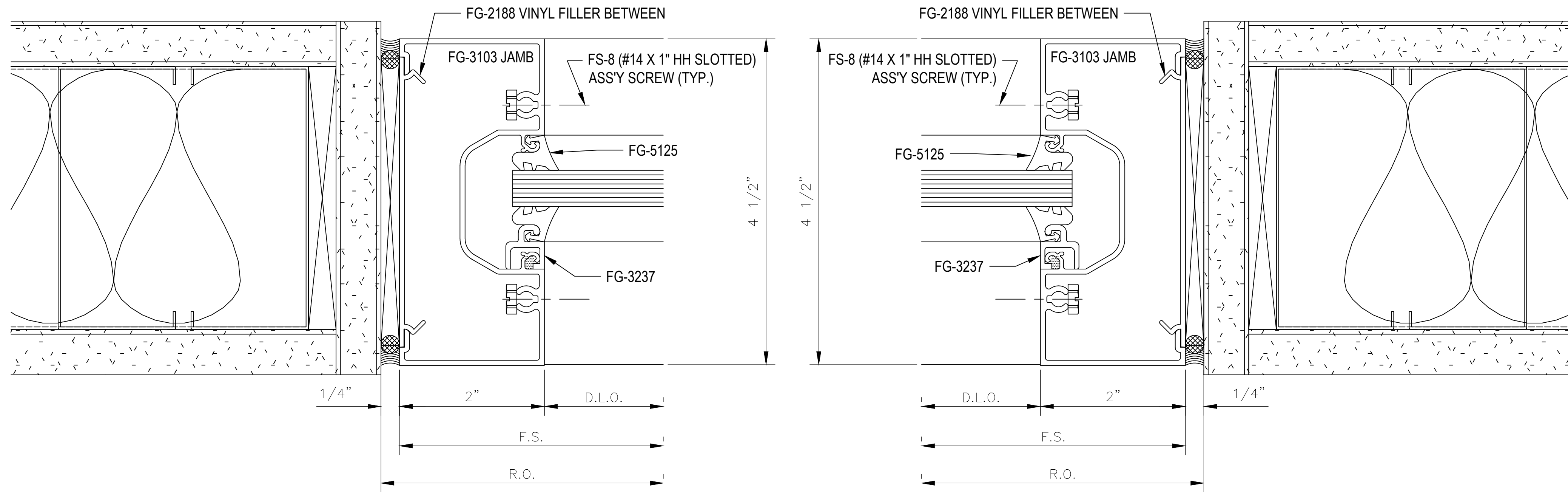
NO. DATE BY REVISION

JOB NO.

REV. NO.

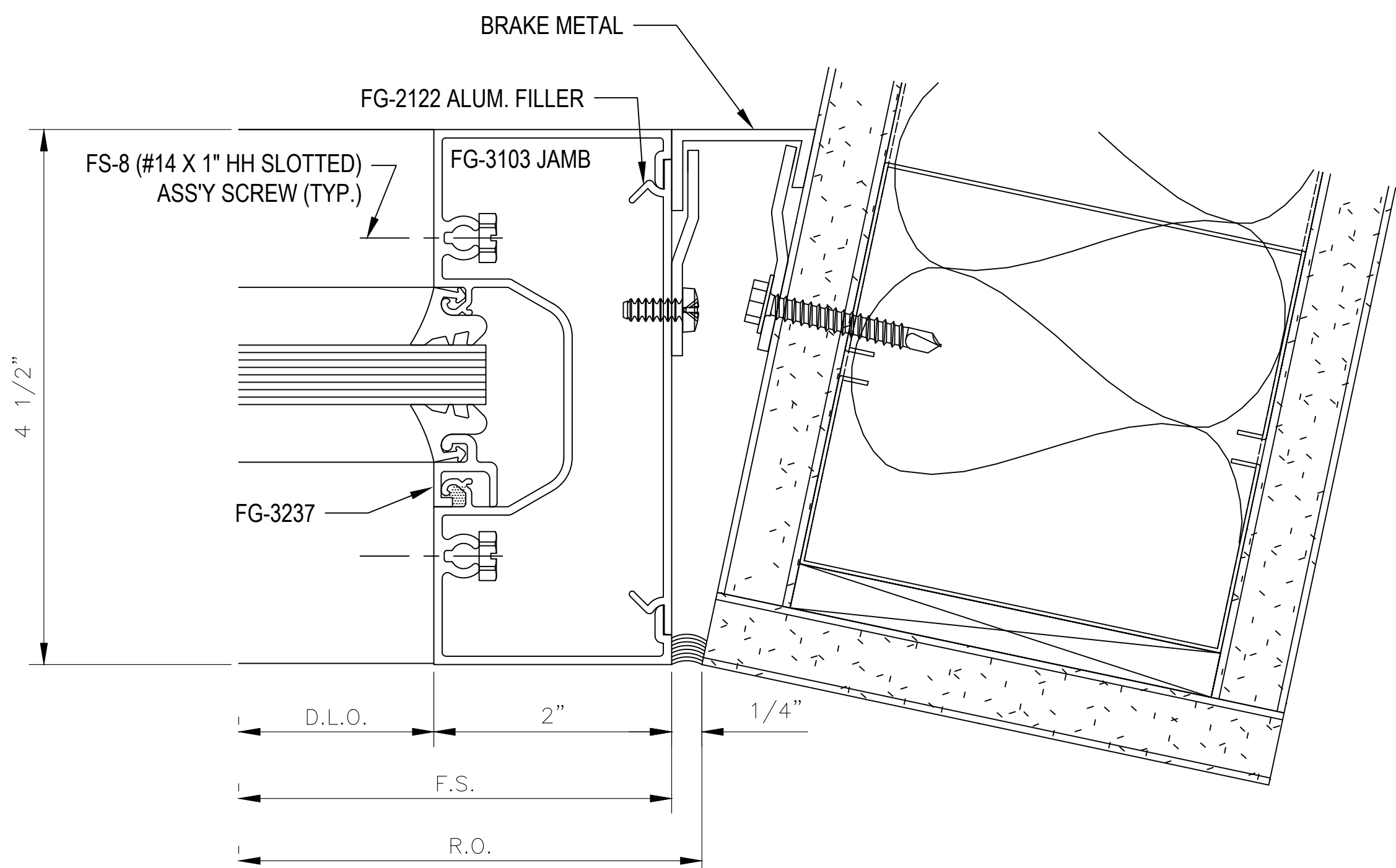
SHEET NO.: **310A**

2

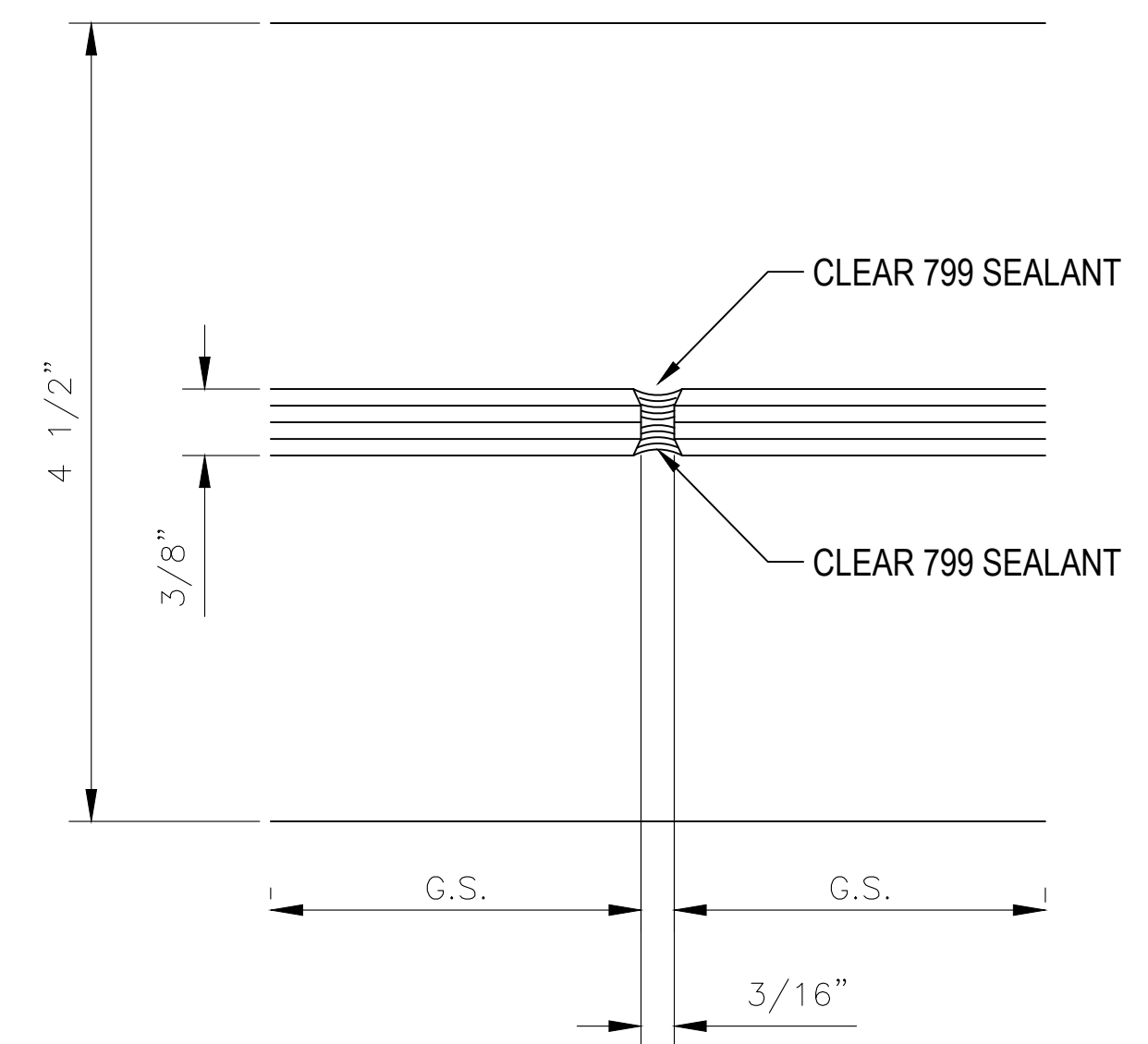


41
311 JAMB
OLDCASTLE B.E. FG-3000 CENTER SET INTERIOR STOREFRONT
ARCH. REF.: 1L/A-750
FRAME: SF4.1 - SF4.2 - SF4.3

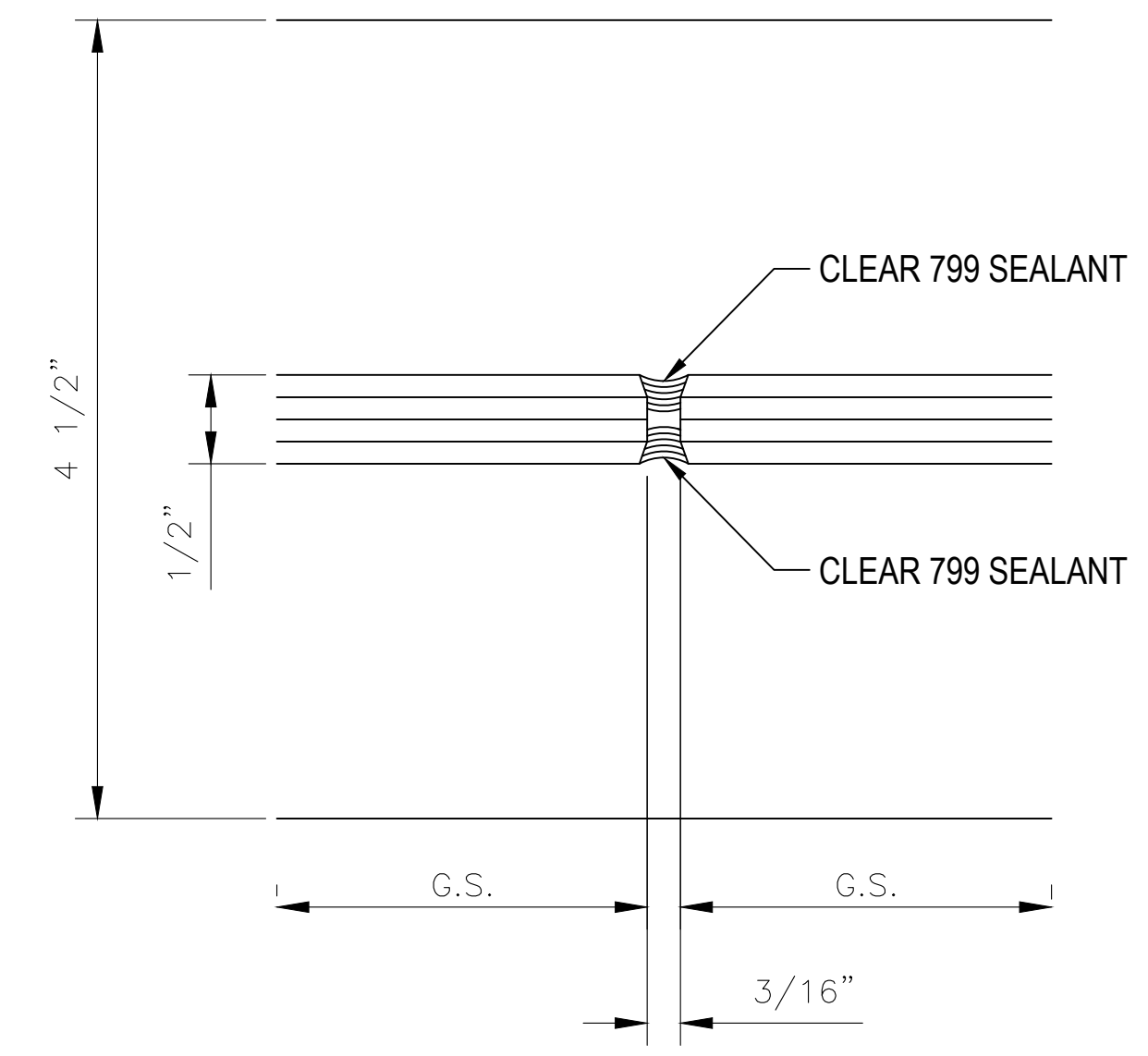
42
311 JAMB
OLDCASTLE B.E. FG-3000 CENTER SET INTERIOR STOREFRONT
ARCH. REF.: 1L/A-750
FRAME: SF4.1 - SF4.2



43
311 JAMB
OLDCASTLE B.E. FG-3000 CENTER SET INTERIOR STOREFRONT
ARCH. REF.: 1L/A-750
FRAME: SF4.3



44
311 SSG JOINT
OLDCASTLE B.E. FG-2000 CENTER SET INTERIOR STOREFRONT
ARCH. REF.: 1L/A-750
FRAME: SF2



45
311 SSG JOINT
OLDCASTLE B.E. FG-3000 CENTER SET INTERIOR STOREFRONT
ARCH. REF.: 1L/A-750
FRAME: SF4.1 - SF4.2 - SF4.3

SHEET NO.: **311**
SCALE: N.T.S.

SCOPE: SHOP DRAWINGS FOR (SCOPE OF WORK)

PROJECT: VANDERBILT UNIVERSITY
ENGINEERING AND SCIENCE
BUILDING - LEVEL 5 & 6 FITOUT
2414 HIGHLAND AVE.
NASHVILLE, TN 37212

ALEXANDER METALS INC.
ARCHITECTURAL PRODUCT SPECIALISTS
487 CAVE RD NASHVILLE, TENNESSEE 37210
PHONE: (615) 256-8070 FAX: (615) 256-9523
www.AlexanderMetalsInc.com

COW

NO.	DATE	REVISION
1.1	02.09.23	DRAWING FOR REVIEW
1.2	03.09.23	1ST REVISION
1.3	04.20.23	1ST REVISION

BY: BG, BG, BG

NO. DATE REVISION

JOB NO.

REV. NO.

SHEET NO.: **311**