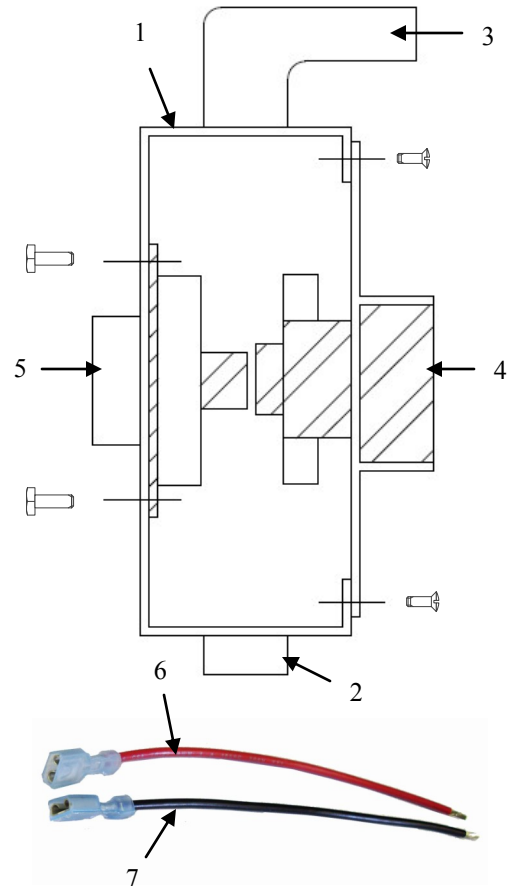
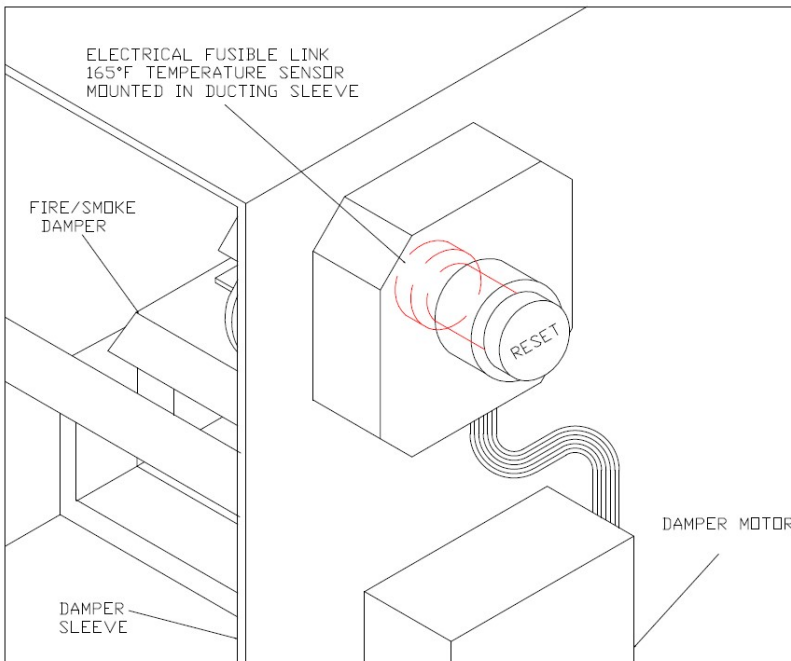



APPLICATION

The Lloydstat is an electronic fusible link that uses in conjunction with fire/smoke dampers. When it detects temperature exceed 165°F, the damper will close and lock. Upon cessation of fire conditions the damper can be reopened by pressing the reset button.



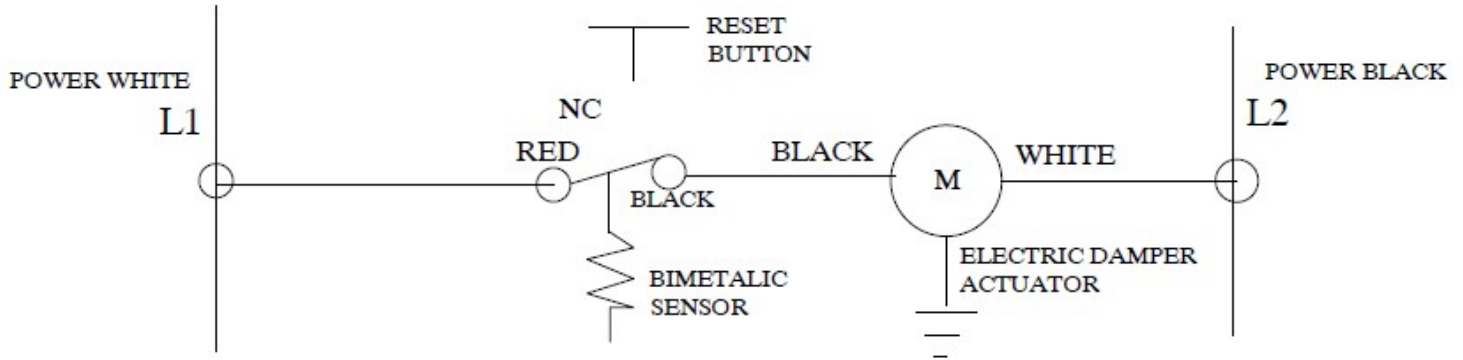
| Item | QTY | DESCRIPTION |
|------|-----|--------------------------------------|
| 1 | 1 | OCTAGON BOX |
| 2 | 1 | STRAIGHT CONNECTOR |
| 3 | 1 | 90 DEGREE CONNECTOR |
| 4 | 1 | RESET BUTTON |
| 5 | 1 | 165 D. THERMOSTAT |
| 6 | 1 | TERMINAL CONNECTED FEMALE WIRE (RED) |
| 7 | 1 | TERMINAL CONNECTED FEMALE WIRE (BLK) |

Available combination fire/smoke dampers, smoke dampers, and corridor combination fire/smoke damper assemblies with electronic fusible link installed.

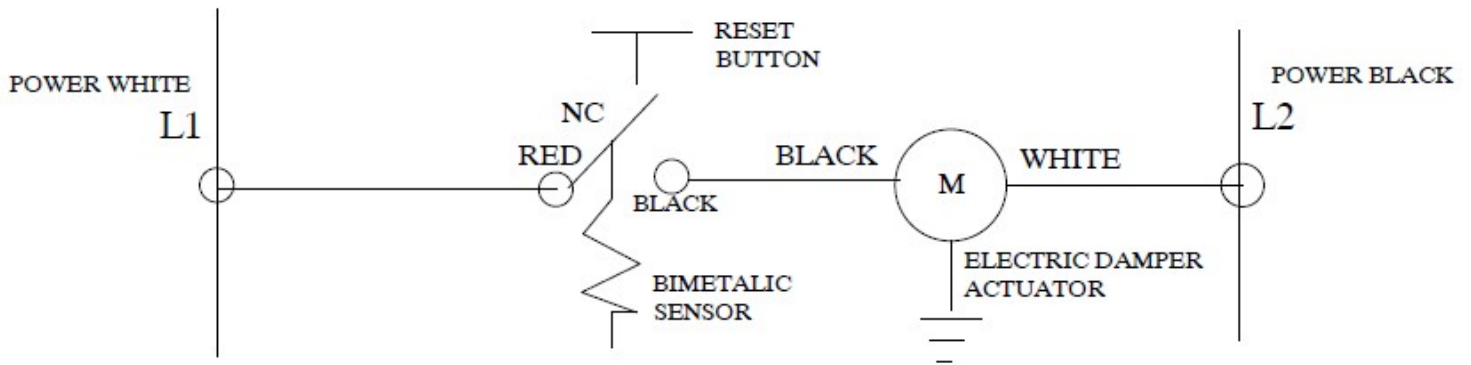
- Models No: FSD-111-1-PB-LS CFSD-222-1-PB-LS
 FSD-111-2-PB-LS CFSD-222-1-PB-LS
 FSD-111-3-PB-LS CFSD-222-1-PB-LS
 SD-333-1-PB-LS
 SD-333-1-PB-LS
 SD-333-1-PB-LS

WIRING DIAGRAMS

NORMAL OPERATING CONDITION



HIGH TEMPERATURE CONDITION



NORMAL TEMPERATURE PRE-MANUAL RESET CONDITION

