

APPROVED BY: _____

DATE: _____ DATE APPROVED: _____

STANDARD FEATURES

- 18 Ga. Galvanized Steel Fully Welded One-Piece Construction
- 24 Ga. Solid bottom • 20 Ga. Divider • Coated Welds
- 1" Foil Faced Insulation, Taped & Caulked • 1 x 4 Wood Nailer

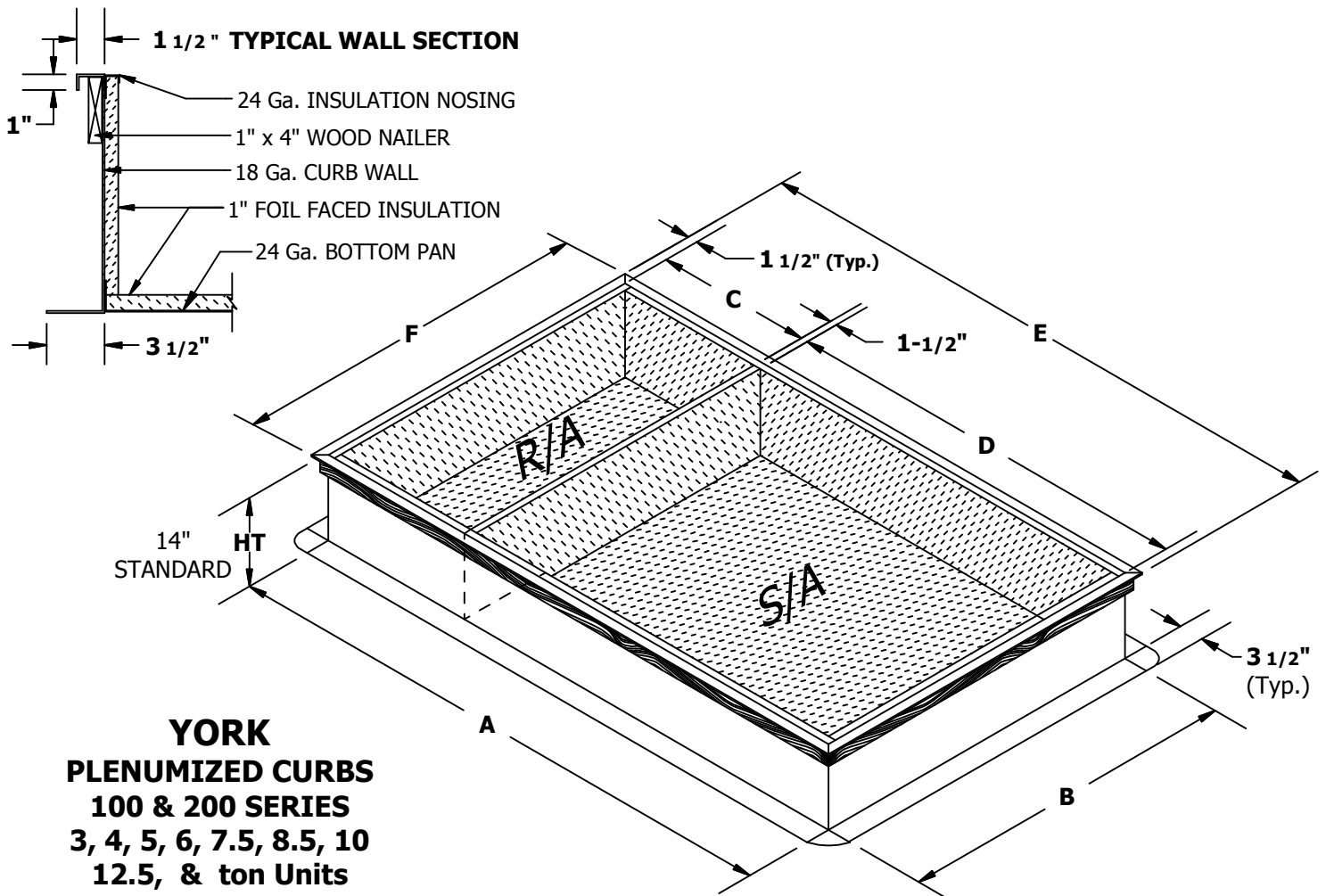
CUSTOMER INFORMATION

PROJECT NAME: _____

CITY, STATE: _____

JOB NUMBER: _____

COMPANY: _____



HVAC CURBS		Curb I.D.		Curb O.D.				YORK	
Qty.	Model	HT	A	B	C	D	E	F	UNIT MODEL NUMBER
	PLY 114	14"	69 1/2"	33 3/4"	20"	48"	72 1/2"	36 3/4"	ZF/XP 036,048,060,072
	PLY 118	18"							
	PLY 124	24"							
	PLY 214	14"	77-1/4"	47"	22"	53-3/4"	80-1/4"	50"	ZF 078-150, ZH,ZJ,ZR 037,049,061 ZH,ZJ,ZR 078-150
	PLY 218	18"							
	PLY 224	24"							