

WICKETTS STAINLESS

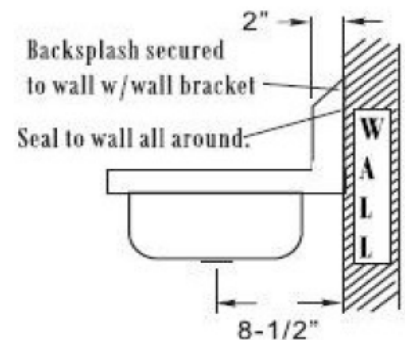
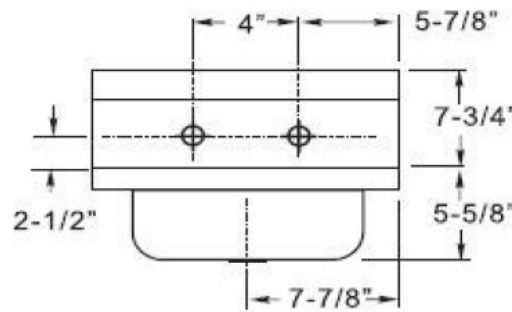
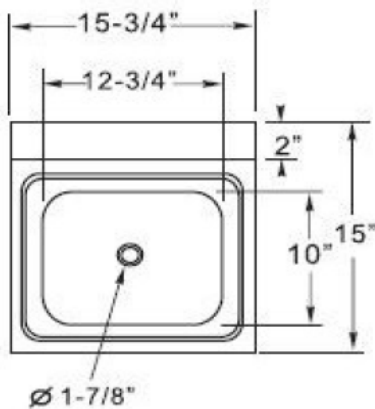
Stainless Steel Hand Sink
WHS 1615-WG-WB LEAD FREE

SPECIFICATION



Type 304 Stainless Steel

- *Special polished satin finish.
- *304 stainless steel, 20 gauge.
- *Faucet & strainer included.



Product #	Description
WHS 1615-WG-WB	16 x 15 Wall Mount Hand Sink With Lead Free Faucet

Conforms to ASME A112.19.3

Wicketts Stainless, LLC.
2618 San Miguel Dr. Bldg. #376
Newport Beach, CA 92660
Tel: 951-858-2548
Fax: 951-638-9059
Sales@wickettsstainless.com



Approved for Manufacturing
Company: _____
Signature: _____
Print: _____ Date: / /