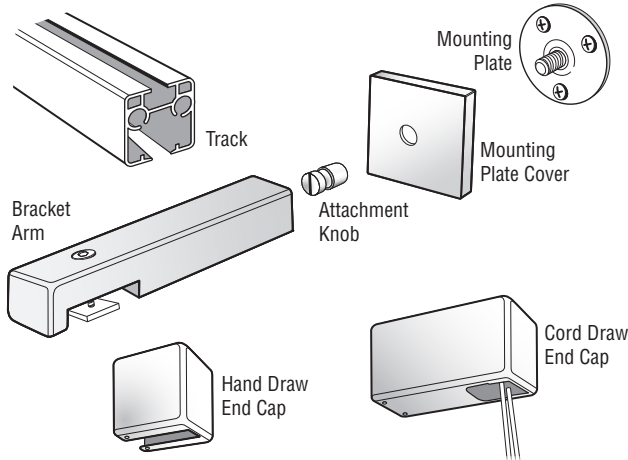


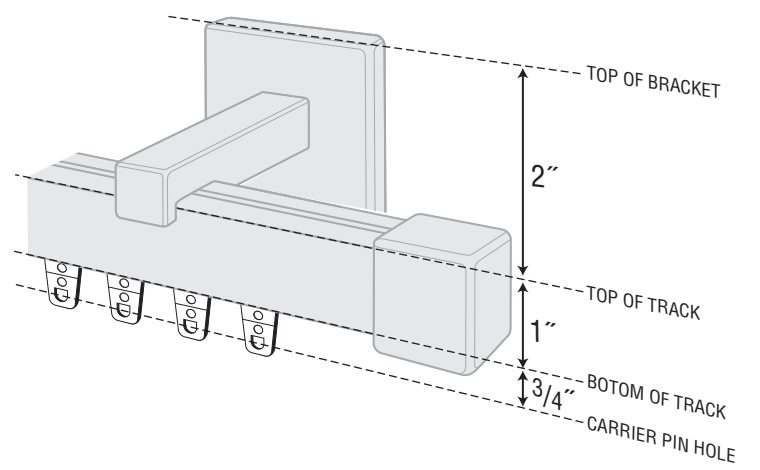


# Sintra Traverse Rod *Measurements and Installation*

## Sintra Traverse Rod Components

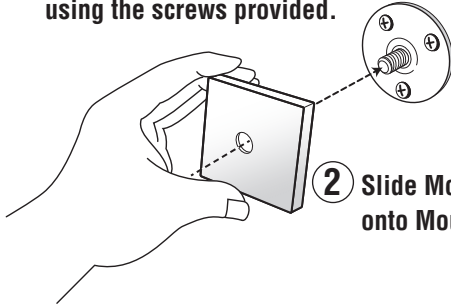


## Sintra - Measurements

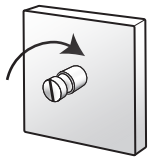


## Sintra Traverse Rod Installation

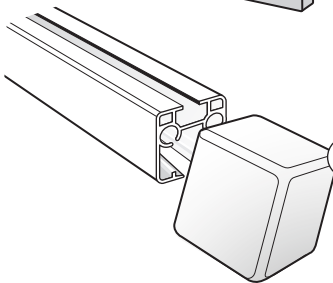
- 1 Secure Round Mounting Plate to wall using the screws provided.



- 2 Slide Mounting Plate Cover onto Mounting Plate.

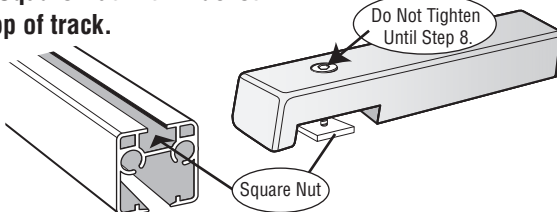


- 3 Screw Attachment Knob onto Mounting Hardware.



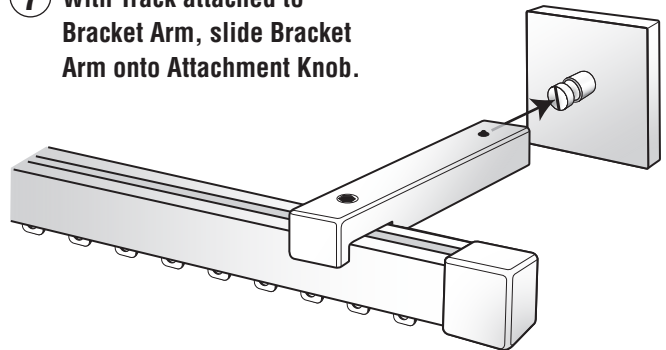
- 4 End Cap must be separated from track before Bracket Arm can be inserted into Track as shown in Step 5.

- 5 Slide Square Nut with Bracket Arm into top of track.



- 6 Reattach End Cap to Track.

- 7 With Track attached to Bracket Arm, slide Bracket Arm onto Attachment Knob.



- 8 Tighten Set Screw and Square Nut at Top of Bracket Arm to secure Track Assembly to Wall Bracket.

