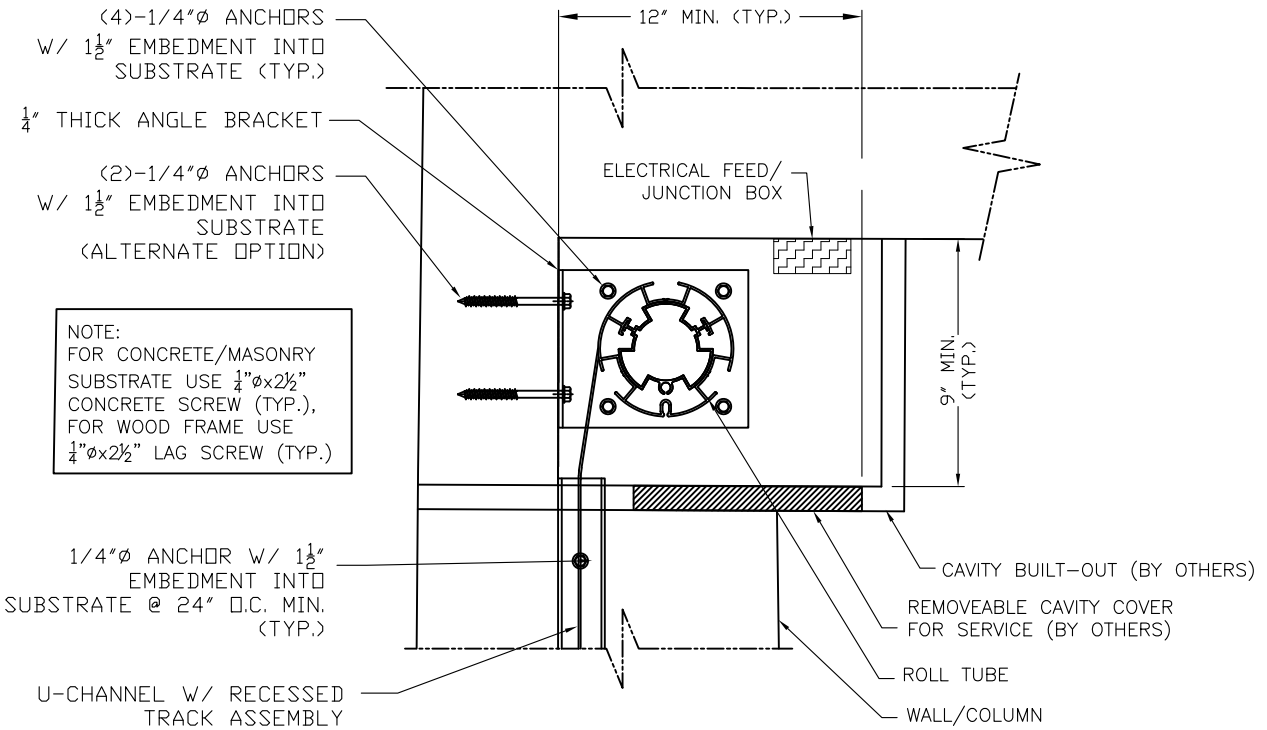


ELEVATION VIEW

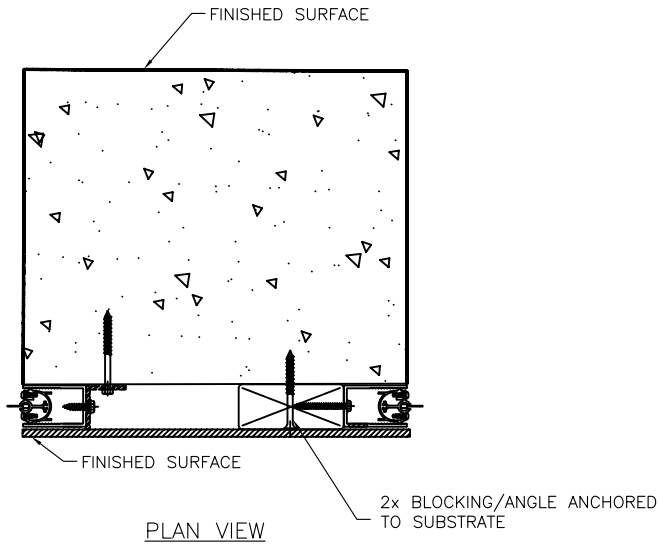


SECTION "a-a"

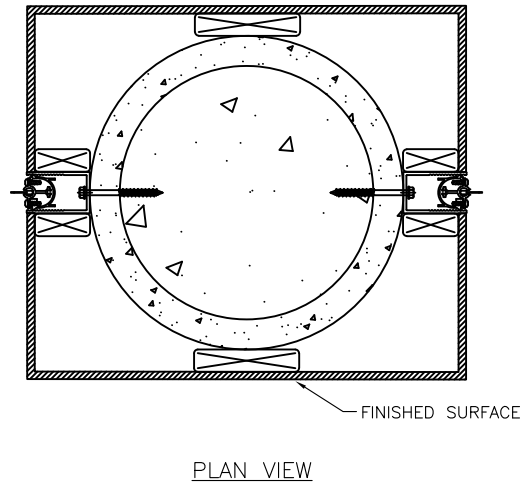
**SECTION VIEW OF ROLL DOWN SCREEN ASSEMBLY
CONNECTION (BOTTOM ACCESS PANEL)**

Rev.	Revision	Date	By

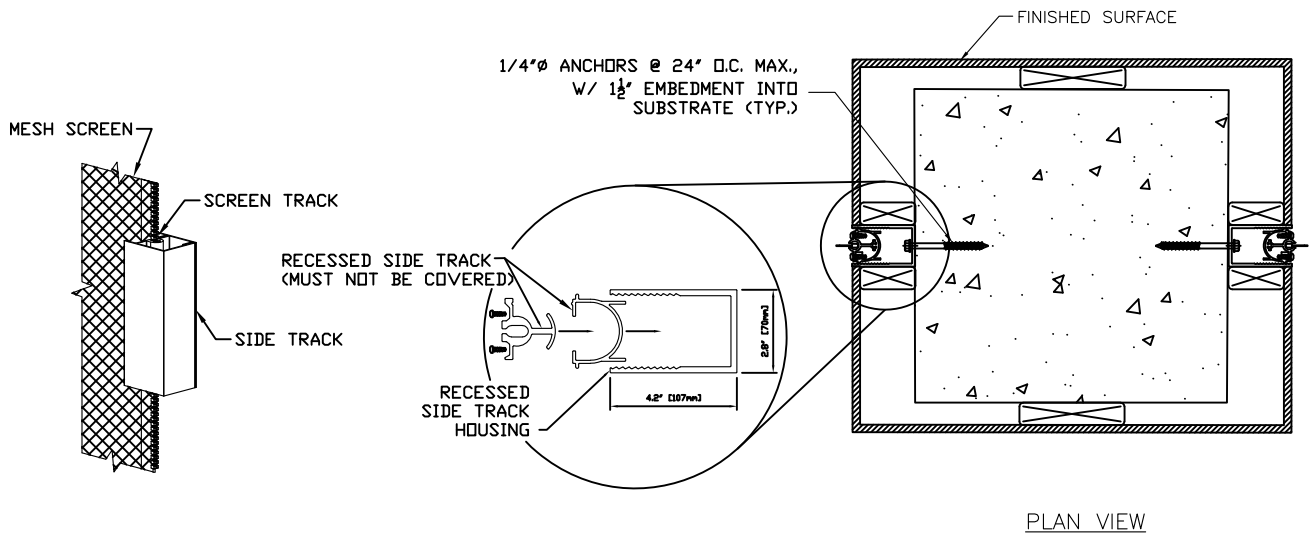
DRAWN BY:	SCALE: N.T.S.	DATE: 2-25-20
© 2019 SUNPRO MOTORIZED AWNINGS & SCREENS		RECESSED INSTALLATION



SECTION "b-b"
PARTIAL PLAN VIEW OF ROLL DOWN SCREEN
ASSEMBLY CONNECTION TO COLUMNS-FLANGE MOUNT



SECTION "b-b"
PARTIAL PLAN VIEW OF ROLL DOWN SCREEN
ASSEMBLY CONNECTION TO COLUMNS-WEB MOUNT



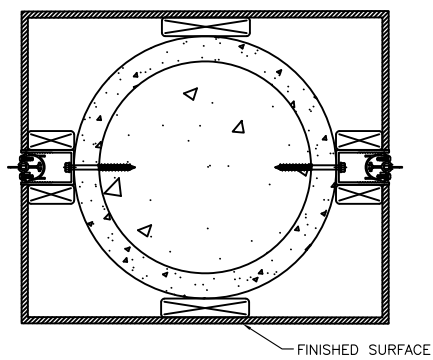
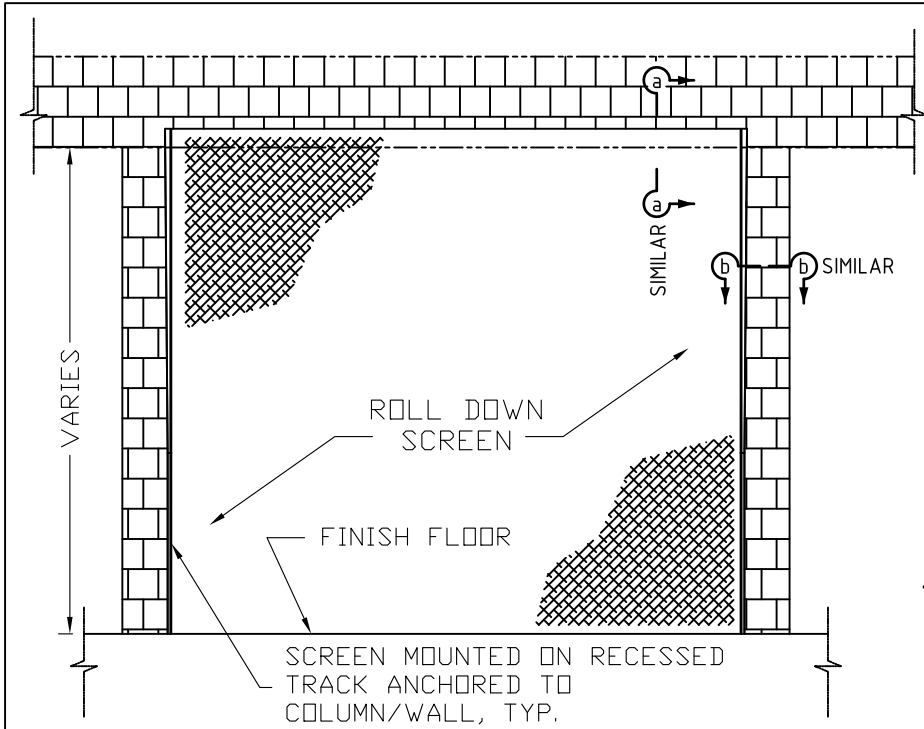
SECTION "b-b"
PARTIAL PLAN VIEW OF ROLL DOWN SCREEN
ASSEMBLY CONNECTION TO COLUMNS-WEB MOUNT



Rev.	Revision	Date	By

DRAWN BY:	SCALE: N.T.S.	DATE: 2-25-20
© 2019 SUNPRO MOTORIZED AWNINGS & SCREENS		
RECESSED INSTALLATION		

A-02

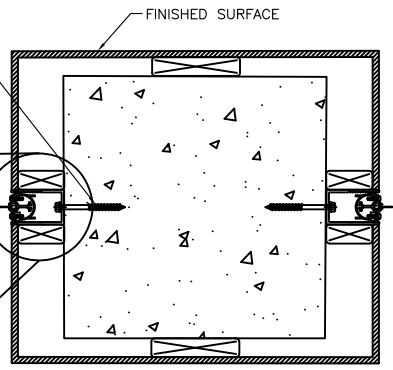
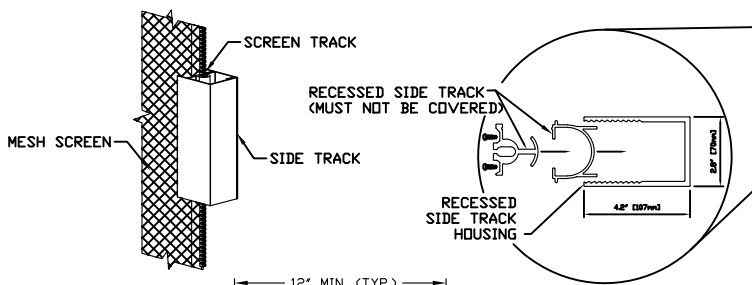


PLAN VIEW

SECTION "b-b"

PARTIAL PLAN VIEW OF ROLL DOWN SCREEN ASSEMBLY CONNECTION TO COLUMNS-WEB MOUNT

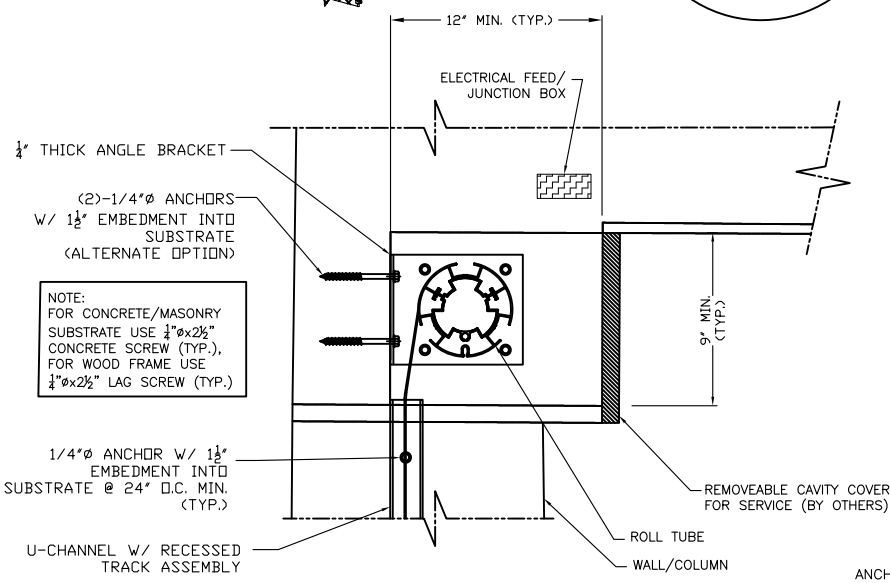
ELEVATION VIEW



PLAN VIEW

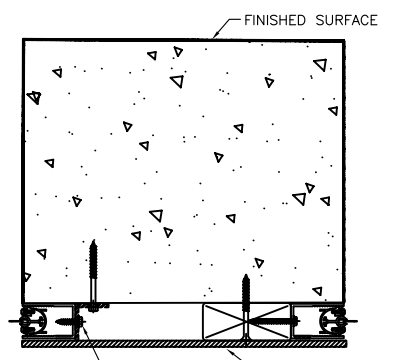
SECTION "b-b"

PARTIAL PLAN VIEW OF ROLL DOWN SCREEN ASSEMBLY CONNECTION TO COLUMNS-WEB MOUNT



SECTION "a-a"

SECTION VIEW OF ROLL DOWN SCREEN ASSEMBLY CONNECTION (SIDE ACCESS PANEL)



PLAN VIEW

SECTION "b-b"

PARTIAL PLAN VIEW OF ROLL DOWN SCREEN ASSEMBLY CONNECTION TO COLUMNS-FLANGE MOUNT



Rev.	Revision	Date	By

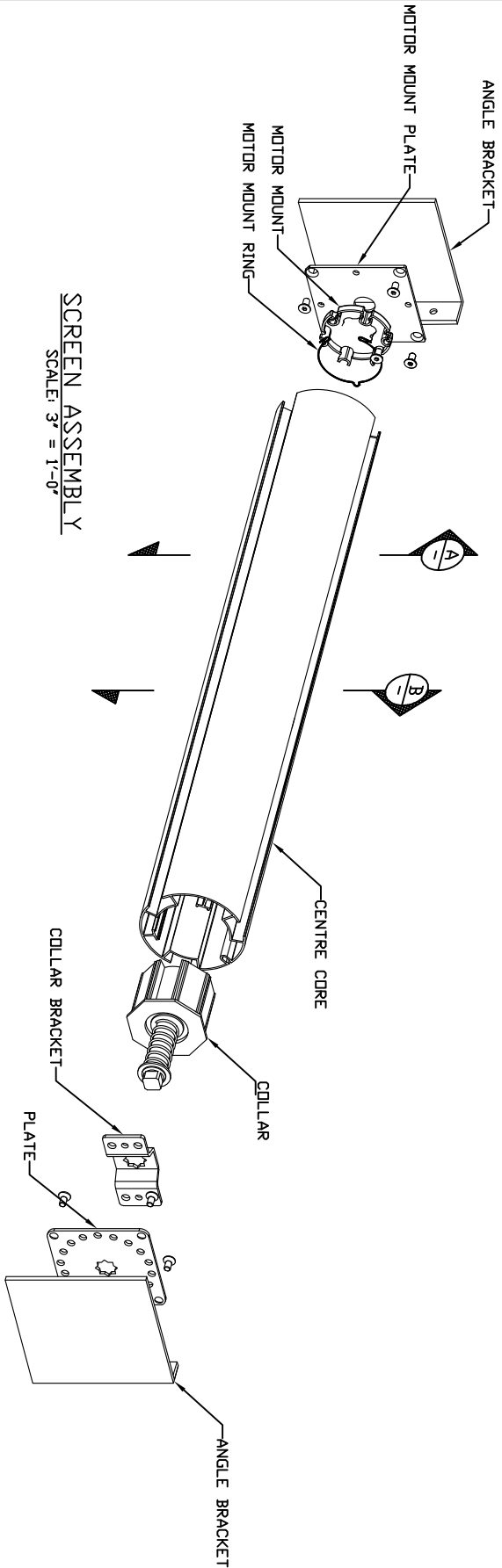
DRAWN BY:	SCALE: N.T.S.	DATE: 2-25-20
© 2019 SUNPRO MOTORIZED AWNINGS & SCREENS		

RECESSED INSTALLATION

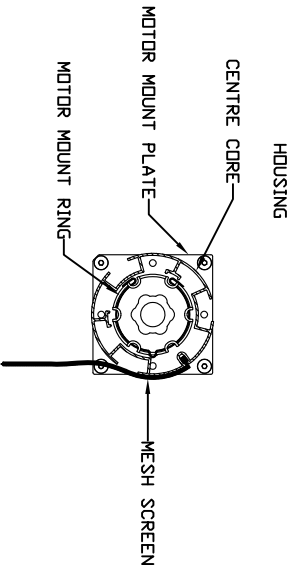
A-03

Recessed Motorized Retractable Wall Screen Exploded Schematic View

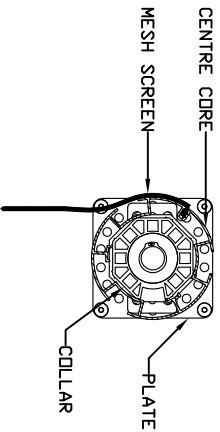
FOR ILLUSTRATION PURPOSES ONLY - ONLY CROSS SECTIONS DRAWN TO SCALE



SCREEN ASSEMBLY
SCALE: 3" = 1'-0"



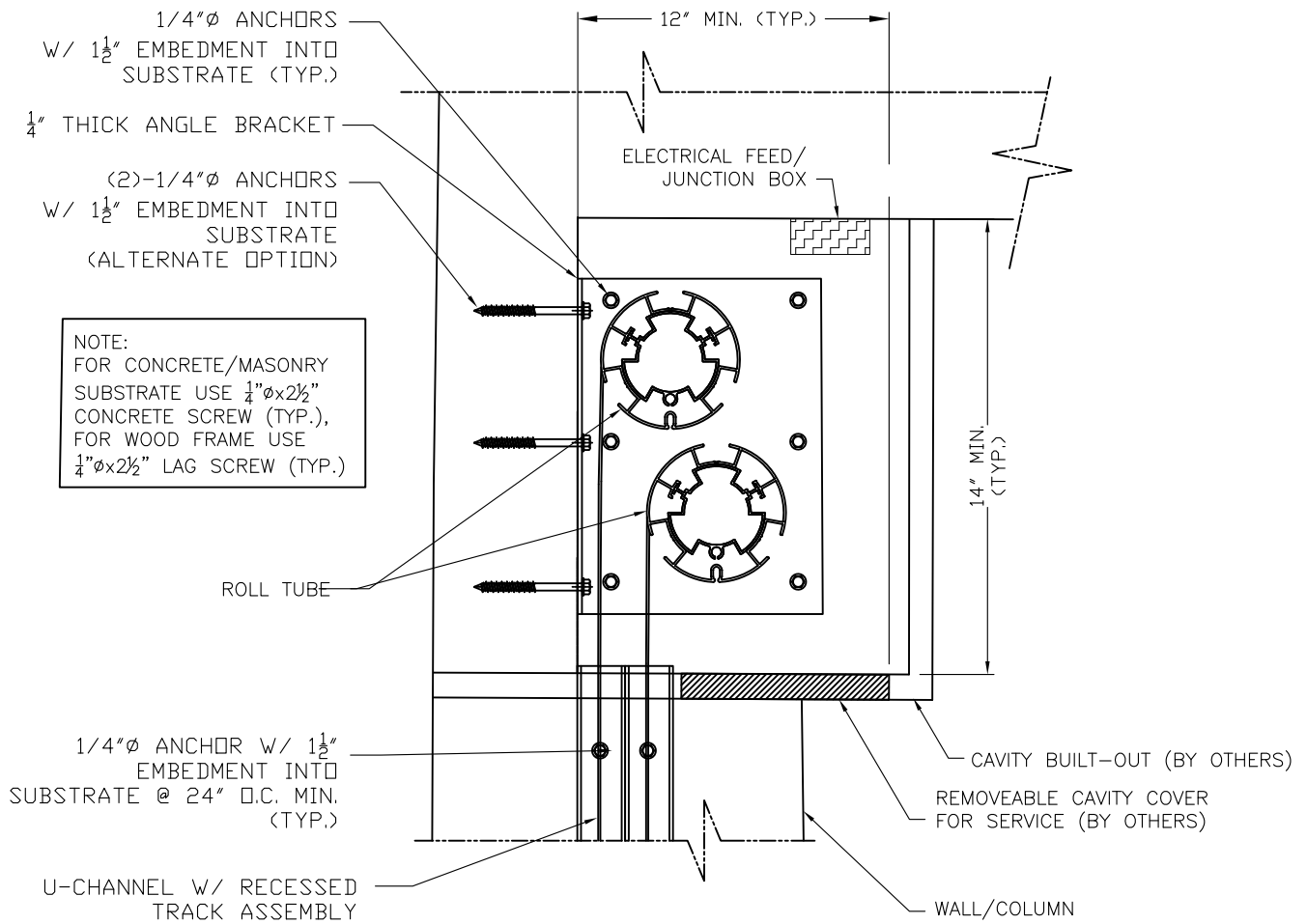
SECTION VIEW A
SCALE: 3" = 1'-0"



SECTION VIEW B
SCALE: 3" = 1'-0"

Rev.	Revision	Date	By

DRAWN BY: © 2019 SUNPRO MOTORIZED AWNINGS & SCREENS	SCALE: N.T.S.	DATE:
RECESSED INSTALLATION		



SECTION "a-a"
SECTION VIEW OF DUAL UNITS ROLL DOWN SCREEN
ASSEMBLY CONNECTION (BOTTOM ACCESS PANEL)



Rev.	Revision	Date	By

DRAWN BY:	SCALE: N.T.S.	DATE: 2-25-20
© 2019 SUNPRO MOTORIZED AWNINGS & SCREENS		RECESSED INSTALLATION

A-05