



MARTIN ROW CLEANERS



PART #	MODEL TO FIT	TYPE	PRICE EA. W/ RAZOR OR STANDARD WHEELS & TREADERS
BD1360	JD 7200-1700 W/OUT COULTER	FLOATING	\$ 679 SALE
BDC1360	JD 7200-1700 W/COULTER	FLOATING	\$ 679 SALE
BKW1360	KINZE/ WHITE W/OUT COULTER	FLOATING	\$ 679 SALE
BKC1360	KINZE W/ COULTER	FLOATING	\$ 679 SALE
BD1345	JD 1700 W/OUT COULTER (HIGH SPEED) (NARROW Row)	FLOATING	\$ 679 SALE
ADD ON	CA-03 CAM ADJUST W/ ROW CLEANER DEERE	FLOATING	\$ 770 SALE
ADD ON	CA-03K CAM ADJUST W/ ROW CLEANER KINZE	FLOATING	\$ 770 SALE
ACCR1345	JD / WHITE/ KINZE FOR USE WITH SMART CLEAN AND CLEAN SWEEP	FLOATING	\$ 995 SALE
ACCR1360	(AIR CYLINDER INCLUDED)	FLOATING	\$ 995 SALE
BCIH1360	CNH NOTE: Will not work if Drive Shaft is under planter frame	FLOATING	\$ 720 SALE



Properly designed row cleaners provide a very desirable type of tillage. With row cleaner teeth continuously engage the soil to the shallow depth of 1" to 1 1/2". By scarifying the soil's surface layer, it makes it easier for the seed openers to open a well-defined "V" without furrowing out or causing slabbing or fleaking. Eliminating furrows is the key to preventing erosion in the row on slopes and the ponding of water over the row in level areas. Martin Row Cleaners come in two basic types: **rigid** and **floating**.

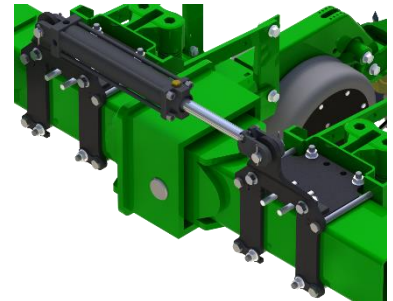
Hydraulic Frame Weight Distribution System

Can be used with Frame Mounted Opener
Fits 1770 12,16 AND 24 Row/ 1790-95

Includes...

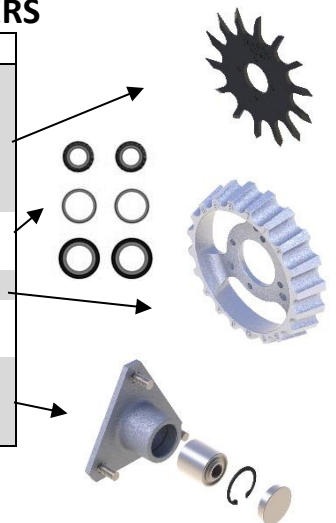
- In-Cab Control Box with harness
- Bolt on brackets
- Grade 8 mounting hardware
- Industry standard durable hydraulic valve
- Made in USA hydraulic cylinders
- NOTE: Kit does not include custom hydraulic hoses or fittings
- Check fit up for Center Frame Mounted Fertilizer Tanks and Brackets for possible tank mounting bracket

KIT PRICE W/ OUT HOSE		
PART #	MODEL #	PRICE EA.
900083	1770/75-12/16	\$ 7369 SALE
900244	1770-24R	\$ 7369 SALE
900079	1790-30'&40'	\$ 7369 SALE
900072	1795-30'&40'	\$ 7369 SALE



REPLACEMENT PARTS FOR MARTIN ROW CLEANERS

PART #	APPLICATION	PRICE EA.
RTW1412.5L/R	12.5" RAZOR WHEEL	\$ 80.00 SALE
TW3813L/R	13" 3 BOLT WHEEL	\$ 80.00 SALE
TW3813L/R4	13" 4 BOLT WHEEL	\$ 80.00 SALE
TW3815L/R	15" 3 BOLT WHEEL	\$ 94.00 SALE
TW3815L/R4	15" 4 BOLT WHEEL	\$ 94.00 SALE
SK-HRKIT	HUB BEARING KIT W/ SEALS	\$ 36.00 SALE
HA44270-D	ROW CLEANER HUB	\$ 115.00 SALE
STW-04	3 & 4 BOLT TREADER WHEEL	\$ 50.00 SALE
5203KYY2	40MM HUB BEARING	\$ 9.50 SALE
203/6203K	2PC. HUB BEARING KIT	\$ 13.95 SALE
CHU022	3 BOLT SPADE HUB	\$ 64.00 SALE
CHU024	3 BOLT SPADE HUB 40MM	\$ 64.00 SALE
CHU44-B2	4 BOLT CAST SPADE HUB	\$ 91.00 SALE



Please Call For Availability.
PRICES SUBJECT TO CHANGE WITHOUT NOTICE!



YETTER FERTILIZER UNIT PARTS

PART #	DESCRIPTION	PRICE
2975-220	17" Liquid Trailing Knife OEM	\$ 69.00 SALE
2975-232	17" Dry Fertilizer Knife OEM	\$ 88.00 SALE
2996-200	20" Liquid Trailing Knife OEM	\$ 85.00 SALE
HYLFC14	17" Liquid Trailing Knife (LONG WEAR)	\$ 54.50 SALE
HYLFC20	20" Liquid Trailing Knife (LONG WEAR)	\$ 59.50 SALE
KW120	YETTER HUB BEARING KIT	\$ 22.50 SALE



YETTER ROW CLEANER PARTS

PART #	DESCRIPTION	PRICE EA.
2967-672	YETTER SHARK TOOTH MULTI-HOLE WHEEL	\$ 83.95 SALE
2967-602	SHARK TOOTH WHEEL TO FIT YETTER	\$ 77.50 SALE
2965-128-C	YETTER ROW CLEANER HUB ASSEMBLY	\$ 62.50 SALE
2965-352	YETTER HUB CASTING CAP	\$ 17.00 SALE
6006-RK-SP	YETTER HUB BEARING	\$ 13.95 SALE
6006-RK-KOYO	O.E.M. YETTER HUB BEARING	\$ 15.95 SALE
2967-186	ALUM. DEPTH BAND TO FIT YETTER ROW CLEANER	\$ 54.00 SALE

