

# ORION

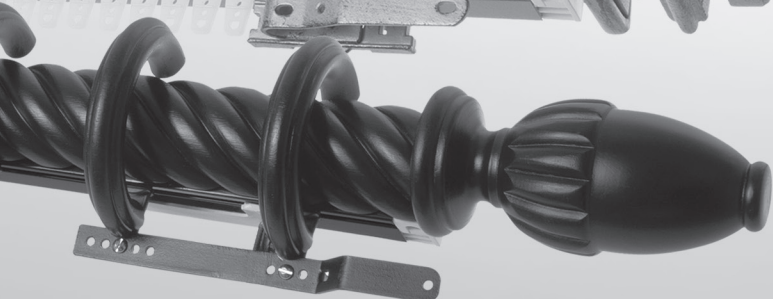
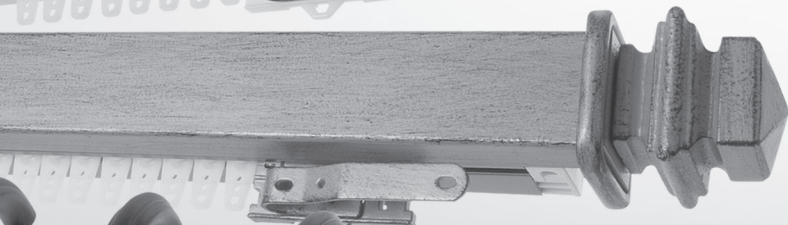
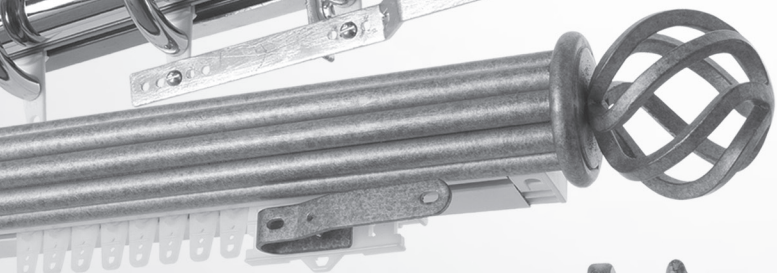
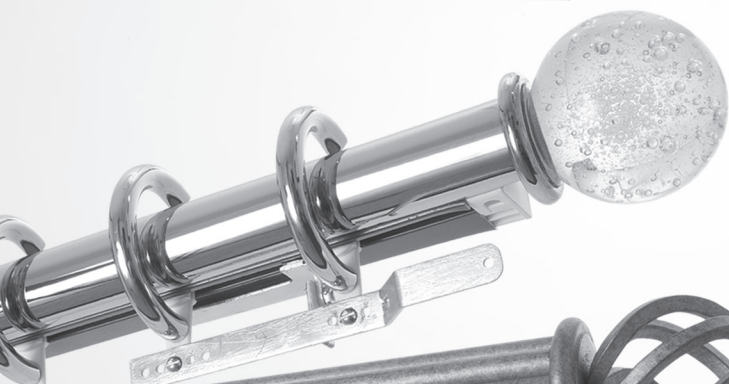
ORNAMENTAL IRON, INC.

*Iron Art*™  
by ORION

*Wood Art*™  
by ORION

## RETAIL PRICE LIST & ORDERING INFORMATION

*Effective July 15, 2021*



# DRAPERY HARDWARE: DESIGN LUXURY, VALUE, BEAUTY.

PRODUCT CATEGORIES AND MATERIALS:	CATALOG PAGE	PRICE LIST PAGE	INFORMATION AND APPLICATIONS:
-----------------------------------	--------------	-----------------	-------------------------------

## Contemporary Finials with Rods

Italian	58	68	Modern styles in Polished Chrome, Brushed Nickel, Black Nickel, Oiled Bronze, Satin Copper, Satin Gold, Polished Nickel, Black Chrome, Polished Brass, Satin Brass, Antique Brass, Polished Rose Gold, and Satin Rose Gold metallic finishes.
---------	----	----	-----------------------------------------------------------------------------------------------------------------------------------------------------------------------------------------------------------------------------------------------

## Crystal Finials with Iron Rods

Bohemia	62	70	Hand crafted faceted crystal-glass on iron.
---------	----	----	---------------------------------------------

## Crystal Finials with Wood Poles

Bohemia	68	71	Hand crafted faceted crystal-glass on wood.
---------	----	----	---------------------------------------------

## Faux Bamboo Finials with Faux Bamboo Rods

Tropical**	32	30	Iron rods, finials, etc. with look of faux bamboo in island paradise finishes.
------------	----	----	--------------------------------------------------------------------------------

## Glass Finials with Iron/Italian Rods

Eclectic***	18	12	Sleek, contemporary designs on iron rods.
Provence**	18	12	Hand blown art glass in designer colors.

## Iron Finials with Iron Rods

Iron Art	10	8	More than 100 finials of all styles and sizes.
Village Forge	17	11	Hand forged iron finials.

## Rattan Finials with Iron Rods

Eclectic***	18	12	Natural, summer look all year round.
-------------	----	----	--------------------------------------

## Resin Finials with Wood Poles

Design Art*			Elegant, custom hand-painted to order.
Rosina**	76	78	Finials for wood poles: 1 <sup>3</sup> / <sub>8</sub> ", 2", 2 <sup>1</sup> / <sub>4</sub> " & 3" diameters.

## Wood Finials with Wood Poles

New York Wood	78	79	Transitional style finials for any decor.
Wood Craft**	74	75	Exotic hand carved finials, swag holders, etc.

## WINDOW TREATMENT PRODUCTS:

## SPECIAL APPLICATIONS:

### Cornices

Renaissance	37	35	Cornice designs in lightweight aluminum.
Tuscany	38	36	Decorative iron cornices.

### Crowns and Scrolls

Mediterranean - Crowns	36	34	Decorative accents for arched or irregular shaped windows, over doors, beds, or artwork, or with scarves or swags.
Vienna - Iron Scrolls	36	35	

### Roman Shades on Drapery Hardware

Milano**	25	27	Decorative hardware for Roman shades.
----------	----	----	---------------------------------------

### Swing Arms

	21	22	For French doors, or other places where drapes need to swing back from opening.
--	----	----	---------------------------------------------------------------------------------

## QUICK SHIP PROGRAM

Xpress YourWay - Our best selling Iron Art™, Bohemia and Italian Collection finials and rods, in an assortment of great finishes; your choice of next day or three business day shipping. See pages 6-7 for pricing.

## CUSTOM PRODUCTS & CUSTOM FABRICATIONS

Our specialty and our pleasure! Please call for quotes. We're happy to be of service to meet your drapery hardware needs and help you solve those difficult problems!

\*Please see separate brochure and price list. \*\*Available while supplies last. \*\*\*Discontinued.

<b>ROD SYSTEMS:</b>	<b>CATALOG PAGE</b>	<b>PRICE LIST PAGE</b>	<b>SPECIAL APPLICATIONS:</b>
<b>Bendable Rods</b>			
Burgundy	34	31	For: <ul style="list-style-type: none"> <li>• Curved Applications</li> <li>• Bay Windows</li> <li>• Special Corners</li> <li>• Arched Windows</li> <li>• Windows with Unusual Shapes</li> </ul>
Iron Art	19	14	
Italian	58	68	
Tropical	32	30	
<b>Bypass System</b>			
Unique	24/61	26/69	Hand drawn system over support brackets.
<b>Expandable Sets</b>			
Oasis	24	26	Expandable rod, finial, bracket sets in iron from small to extra large (117"-154").
<b>Faux Bamboo</b>			
Tropical	32	30	Bendable iron rods, finials, etc. covered with faux bamboo for an "island" look.
<b>Front Facing Finials</b>			
3D Drapery Hardware	26	28	Finials are in front of the rod and can be manually adjusted to be above or below it.
3D Drapery Panels	30	29	Add stationary panels to 3D Drapery Hardware.
<b>Hand Crafted Decorative Rods</b>			
Burgundy	34	31	Rods incorporating vines, leaves, birds & decorative accents - Hand crafted.
<b>Metal Plated Iron (Metallic Finishes)</b>			
Italian	58	68	Sleek, modern designs in metallic finishes.
<b>Traversing (Manual/Motorization)</b>			
Deco Lite Traversing	50	55	Full technical support from Orion - and it's easy to specify and easy to install. Available with radio frequency or infrared controls. Answer a few simple questions and you are ready for the latest in home automation.
Designers' Choice Traversing Rods	44	44	
Design Art*			
Tuscany Cornices	38	36	
Tuscany Traversing	46	52	
Traversing with Somfy	52	58	
<b>Thin Line Drapery Hardware</b>			
Fina	25	27	For short, narrow spaces such as French doors, small windows, etc; café rod styles.
<b>Traversing and Cord Drawn</b>			
Deco Lite Traversing	50	55	Heavy duty traverse systems to meet all your design needs. Iron and wood fascia designs, rings, and motorization available.
Designers' Choice Traversing Rods	44	44	
Design Art*			
Tuscany Cornices	38	36	
Tuscany Traversing	46	52	

**Outdoor Hardware Available. Add 30% net upcharge. Please call for an estimate.**

#### GENERAL ORDERING INFORMATION

1. We splice any iron rod or wood pole over 106" and any traversing rod over 102" to save on shipping charges using FedEx. Rods, poles or traversing not specified as one piece in the order will be spliced in the center, unless a splice location is otherwise noted. Anything over these lengths is shipped by truck, and final shipping charges are given when the order is shipped. Please note residential truck deliveries are restricted to 24' (288"). Packed boxes cannot exceed 108" in length. Additional Freight Surcharge, See page 84.
2. Wood poles are priced as per minimum section (4', 6', 8' & 12'). For example a 4' 8" pole will be charged at 6'.
3. Items priced per foot are rounded up or down at six inches; i.e., up to 5<sup>7</sup>/<sub>8</sub>" is rounded down to the nearest foot, 6" and above are rounded up to the nearest foot.
4. Any wood or iron ring (except "C" Ring Product #330C) or bracket may be utilized interchangeably with iron rods or wood poles.
5. All wood and resin finials are attached to wood poles using a screw-in fitting, which is included.

# *Iron Art*<sup>™</sup> by **ORION**

## **Iron**

3D Drapery Hardware (Finials in Front of Rod) .....	28
3D Drapery Panels (Finials and Stationary Panels in Front of Rod) .....	29
Accessories .....	13
Batons .....	25
Brackets .....	16
Bracket Guide .....	18
Burgundy Collection (Hand Crafted Decorative Rods) .....	31
Cornices, Decorative Scroll Work, and Valances	
Mediterranean Collection (Lightweight Decorative Crowns) .....	34
Renaissance Collection (Lightweight Decorative Cornices) .....	35
Tuscany Collection (Lightweight Decorative Metal Cornices) .....	36
Vienna Collection (Decorative Scrolls) .....	35
Decorative Brackets .....	17
Fina Collection (Thin Line Drapery Hardware) .....	27
Finials	
Bohemia Collection (Decorative Hand Crafted Faceted Crystal-Glass Finials) .....	70
Eclectic Collection (Glass & Rattan Finials, Discontinued) .....	12
Finials (Iron) .....	8
Italian Collection (Metal Plated Iron Drapery Hardware) .....	68
Provence Collection (Decorative Hand Blown Art Glass Finials, Available While Supplies Last) .....	12
Village Forge Collection (Hand Crafted Iron Finials) .....	11
Iron Art <sup>™</sup> Finishes .....	4
Design Art <sup>™</sup> Finishes Cross Reference .....	5
Italian Collection (Metal Plated Iron Drapery Hardware) .....	68
Italian Collection Finishes .....	4
Milano Collection (Roman Shades on Drapery Hardware, Available While Supplies Last) .....	27
Oasis Collection (Expandable Sets) .....	26
Rings .....	20
Rods .....	14
Swing Arms .....	22
Tiebacks/Swag Holders .....	24
Tropical Collection (Faux Bamboo on Iron, Available While Supplies Last) .....	30
Unique Collection (Bypass System with "C" Rings) .....	26
Xpress Yourway (Orion's Quickship Program) .....	6

## **Manual and Motorized Traversing**

Common Measurements / Pinch Pleat & RippleFold Guides .....	42
Deco Lite Traversing (Lightweight Embossed Metal Panels) .....	55
Deco Lite Traversing: Bracket Guide .....	57
Designers' Choice Traversing Rods (Iron & Wood Traversing Rods with Heavy Duty Hardware) .....	44
Installation Guides .....	38
Manual Traversing: Bracket Guide .....	50
Motorized Traversing: Bracket Guide .....	64
Motorized Traversing: Accessories .....	63
Traversing with Somfy Motorization .....	58
Tuscany Traversing Collection (Lightweight Embossed Metal Rods and Heavy Duty Hardware) .....	52
Iron Art and Wood Art Traversing Track Finishing Guide .....	40
Additional Master Carriers Sets .....	49
Tuscany and Deco Lite Traversing Fascia Designs .....	54
Order Forms .....	85
Promotional Items/Designer Product Case .....	80
Measurement Guidelines .....	91
FedEx/UPS Freight Charges, Summary of Charges and Upcharges .....	84
Terms of Sale .....	82

# *Wood Art*<sup>TM</sup> by **ORION**

## **Wood and Resin**

---

Accessories .....	77
Batons .....	78
Brackets .....	77
Finials	
Bohemia Collection on Wood (Decorative Hand Crafted Faceted Crystal-Glass Finials) .....	71
New York Wood Collection (Exclusive Hand-Painted Wood Finials) .....	79
Rosina Collection (Decorative Resin Finials, Available While Supplies Last) .....	78
Wood Craft Collection (Hand-Carved Finials, Available While Supplies Last) .....	75
Poles .....	75
Rings .....	77
Tiebacks/Swag Holders .....	78
Wood Art <sup>TM</sup> Finishes .....	4

## **Manual and Motorized Traversing**

---

Common Measurements / Pinch Pleat & RippleFold Guides .....	42
Designers' Choice Traversing Poles (Wood Traversing Poles with Heavy Duty Hardware) .....	72
Installation Guides .....	38
Manual Traversing: Accessories .....	73
Manual Traversing: Bracket Guide .....	50
Motorized Traversing: Bracket Guide .....	64
Motorized Traversing: Accessories .....	63
Traversing with Somfy Motorization .....	58

Order Forms .....	85
Promotional Items/Designer Product Case .....	80
Measurement Guidelines .....	91
Summary of Charges and Upcharges .....	84
FedEx/UPS Freight Charges .....	84
Terms of Sale .....	82

## Finishes: Ordering Information

1. Finishes are included in the product price. Please see catalog and price list for finish groups.
2. Please note that the finishes presented in catalog are lithographic reproductions of the actual finishes, and as such, may not accurately reflect the true depth and tone of our finishes. Please refer to the actual finish samples (Selector Set) before ordering.
3. Design and crackle will vary in Crackle Finish.
4. We can match most custom finishes, with a one-time strike-off charge of \$40.00 (net) per sample. All custom finishes need prior approval before production. For the order, please refer to the product price in the Custom Finish Group.
5. Iron Art™ and Wood Art™ finishes are also available as Semi or High Gloss. Please add a 20% upcharge.

### Iron Art™ Finishes (Groups A, B, C, D): Pages 80 & 81 of Catalog

Grp	Finish Code	Finish Name	Sheen	Grp	Finish Code	Finish Name	Sheen	Grp	Finish Code	Finish Name	Sheen
A	09	Light Brown	Satin	B	15	Bronze Vecchio	Satin	C	26	Bronze Patina	Satin
A	14	Black	Satin	B	17	Burnt Silver	Satin	C	27	Cherry Gold	Satin
A	19	Brown	Satin	B	20	Antique White	Satin	C	28	Vecchio Patina	Satin
B	01	Old Black	Satin	B	32	Ivory	Satin	C	29	Golden Oak	Satin
B	02	Antique Bronze	Satin	B	33	Pure White	Satin	D	05	Autumn	Satin
B	03	Naturalle	Satin	B	34	Oil Rubbed Bronze	Satin	D	08	Imposter	Satin
B	04	Rusty	Satin	B	35	Metal Ore	Satin	D	21	Crackle	Satin
B	06	Antique Gold	Satin	C	11	Versace	Satin	D	22	Antique Crackle	Satin
B	07	Rich Gold	Satin	C	16	Gold Antique White	Satin	D	23	Mocha Mix	Satin
B	10	Antique Copper	Satin	C	18	Renaissance Silver	Satin	D	30	Warm Cherry	Satin
B	12	New Nickel	Satin	C	24	Sage Gold	Satin	D	31	Sugar Maple	Satin
B	13	Soft Pewter	Satin	C	25	Burnt Gold	Satin				

### Wood Art™ Finishes (Groups E, F): Page 82 of Catalog

Group	Finish Code	Finish Name	Sheen	Group	Finish Code	Finish Name	Sheen
E	WC 101	Light Cherry	Satin	F	WC 107	White Distress	Satin
E	WC 102	Natural	Satin	F	WC 108	Aged Pewter	Satin
E	WC 103	Mahogany	Satin	F	WC 109	Imitation Gold Leaf	Satin
E	WC 104	White Wash	Satin	F	WC 110	Golden Teak	Satin
E	WC 105	Dusk Black	Satin	F	WC 111	Sun Oak	Satin
E	WC 106	Walnut	Satin				

### Italian Finishes (Groups I, J, K, L): Page 60 of Catalog

Group	Finish Code	Finish Name	Group	Finish Code	Finish Name
I	IT 201	Brushed Nickel	L	IT 208	Black Chrome
J	IT 206	Polished Chrome	L	IT 209	Polished Brass
K	IT 202	Black Nickel	L	IT 210	Satin Brass
K	IT 203	Oiled Bronze	L	IT 211	Antique Brass
K	IT 204	Satin Copper	L	IT 212	Polished Rose Gold
K	IT 205	Satin Gold	L	IT 213	Satin Rose Gold
J	IT 207	Polished Nickel			

## PRICING FOR IRON ART PRODUCTS IN DESIGN ART FINISHES



By popular request, we've made it easier to order Iron Art products in Design Art finishes. Our Design Art collection features elegant Décor finishes in two price groups; A or B (and includes more options for gold tones that many of you have been looking for).

- 14 Design Art Décor Finishes - Group A will be priced as Iron Art Group B - Shipping Time 15 working days
- 29 Design Art Décor Finishes - Group B will be priced as Iron Art Group D - Shipping Time 18 working days

Please add finish name and code on orders. We hope you enjoy this expanded color palette!

### Group A Décor Finishes = Group B Iron Art Charges

Grp	Finish Code	Finish Name	Grp	Finish Code	Finish Name	Grp	Finish Code	Finish Name
A	DP909A	Bronze Pewter	A	DP924A	Frosty Morn	A	DP949A	Steel
A	DP912A	Cast Iron	A	DP929A	Hammered Silver	A	DP950A	Superior Bronze
A	DP918A	Copper Glimmer	A	DP955A	Old Rust	A	DP951A	Urbane Bronze
A	DP961A	Copper Penny	A	DP942A	Royal Red	A	DP954A	White Dove
A	DP922A	English Bronze	A	DP947A	Silver Shimmer			

### Group B Décor Finishes = Group D Iron Art Charges

Grp	Finish Code	Finish Name	Grp	Finish Code	Finish Name	Grp	Finish Code	Finish Name
B	DP956B	Aged Brass	B	DP941B	Gold Leaf-Antiqued	B	DP962B	Paris Rain
B	DP905B	Aged Chestnut	B	DP926B	Gold Leaf-Burnished	B	DP939B	Precious Metals
B	DP908B	Black Embers	B	DP927B	Gold Leaf-Polished	B	DP940B	Queensland Walnut
B	DP948B	Champagne	B	DP928B	Gold Leaf-Traditional	B	DP946B	Sage
B	DP916B	Chateau	B	DP930B	Hickory	B	DP944B	Silver Leaf-Burnished
B	DP917B	Cherrywood	B	DP931B	Italian Gold	B	DP945B	Silver Leaf-Polished
B	DP911B	Clouds	B	DP932B	Italian Walnut	B	DP952B	Vintage Gold
B	DP920B	Creamy	B	DP963B	Liquid Gold Leaf	B	DP953B	Weathered Iron
B	DP921B	Ebony	B	DP943B	Mahogany	B	DP957B	Zinc
B	DP923B	French Nobility	B	DP960B	Monarch			

### Xpress Yourway: Ordering Information

- All orders received by 12:00 noon Pacific time will be considered same day orders. Shipping times are in business days.
- Finials are interior fit only.
- Modifications from specifications offered will NOT qualify for the Xpress Yourway program.
- Cancellation of orders will result in a 35% restocking fee.
- Please utilize the Xpress Yourway order form or mark orders as Xpress Yourway. Orders without an Xpress Yourway indication will be processed with standard shipping times.
- Xpress Yourway Wall Display Available. Please see item #8002 on page 80.

### Xpress Yourway: Pages 6-7 of Catalog

**Express It! Finishes**  
Ship in 1 Day

**Quicken It! Finishes**  
Ship in 3 Days

Round Hollow Rods			Unit	Grp A Price	Grp B Price	Price
1" Diameter			FOOT	15	20	20
1½" Diameter			FOOT	21	26	26
Finials	Length	Height	Unit	Grp A Price	Grp B Price	Price
420	1¾"	2"	EACH	30	39	39
505	2¾"	1½"	EACH	29	38	38
513	1"	2¼"	EACH	35	44	44
906S	3½"	3"	EACH	42	55	55
946 SM 2"	2"	2"	EACH	33	41	41
947L	2½"	2½"	EACH	42	54	54
950	5¼"	2½"	EACH	47	61	61
966	3½"	2¼"	EACH	37	47	47
End Caps, Sockets & Connectors	Length	Height	Unit	Grp A Price	Grp B Price	Price
301 End Cap (1" / 1½" Rods)	⅛"	1¾" / 2"	EACH	14	18	18
302 and 303 Rod Socket (1" / 1½" Rods)	1" / 1⅛"	1½" / 2"	PAIR	30	38	38
306-100 - 1" Rod Socket	1⅛"	1⅝"	EACH	33	38	38
306-112 - 1½" Rod Socket	1⅛"	1⅜"	EACH	41	47	47
321 - End Cap (1" / 1½" Rods)	5/16" / 3/8"	1¼" / 2"	EACH	15	19	19
300 - Connector (1" / 1½" Rods)	8"	7/8" / 1⅜"	EACH	19	19	19
Brackets	Width	Height	Unit	Grp A Price	Grp B Price	Price
1028-RND 3" P	1"	3¼"	EACH	22	28	28
1028HP-RND 3" P	3"	1"	EACH	20	26	26
1028-RND 6" P	1"	3¼"	EACH	30	39	39
1028HP-RND 6" P	3"	1"	EACH	33	42	42
1024DBWS-RND 3" & 6" P	1"	4"	EACH	43	55	55
1040-RND 3" P	1"	3¼"	EACH	23	29	29
1040HP-RND 3" P	3"	1"	EACH	20	26	26
1040-RND 6" P	1"	3¼"	EACH	30	39	39
1040HP-RND 6" P	3"	1"	EACH	30	39	39
1040DBWS-RND 3" & 6" P	1"	4"	EACH	36	45	45
Rings	Inner Diameter	Unit	Grp A Price	Grp B Price	Price	
350 RND for 1" Rod	1½"	EACH	5	6	6	
350 RND for 1½" Rod	2"	EACH	5	6	6	

Express It! Finishes: Black (A), Brown (A), Light Brown (A) & New Nickel (B). Quicken It! Finishes: Antique Bronze, Antique Gold, Soft Pewter & Pure White.



Xpress Yourway: Pages 6-7 of Catalog (cont.)				Express It! Finishes Ship in 1 Day		Quicken It! Finishes Ship in 3 Days	
<b>Post Projection Tiebacks</b>		<b>Diameter</b>	<b>Unit</b>	<b>Grp A Price</b>	<b>Grp B Price</b>	<b>Price</b>	
1059 - Expandable 3"- 4½" P		3"	EACH	34	43	43	
1073 - Expandable 3"- 4½" P		3½"	EACH	37	46	46	
1078 - Expandable 3"- 4½" P		3¾" x 3¾"	EACH	44	57	57	
<b>Baton with Clip</b>		<b>Length</b>	<b>Diameter</b>	<b>Unit</b>	<b>Grp A Price</b>	<b>Grp B Price</b>	<b>Price</b>
1016		48"	½"	EACH	50	65	65

Express It! Finishes: Black (A), Brown (A), Light Brown (A) & New Nickel (B). Quicken It! Finishes: Antique Bronze, Antique Gold, Soft Pewter & Pure White.

Xpress Yourway: Page 8 of Catalog - Bohemia Crystal						Available for Express It! and Quicken It! finishes in Iron Art™ or Italian.					
<b>Finial #</b>	<b>Length</b>	<b>Height</b>	<b>Base Height</b>	<b>Unit</b>	<b>Price</b>	<b>Finial #</b>	<b>Length</b>	<b>Height</b>	<b>Base Height</b>	<b>Unit</b>	<b>Price</b>
772	2¾"	2¾"	1¾"	EACH	88	782	2⅞"	2¾"	1⅝"	EACH	90
774	2"	2¾"	1½"	EACH	80	787	3½"	2"	2"	EACH	86
775	2¾"	2½"	1½"	EACH	99	788	3½"	2"	2"	EACH	86
778	1¼"	2¾"	1½"	EACH	75	790	¾"	2"	2"	EACH	68
781	2⅛"	2¾"	1⅝"	EACH	70						

## Italian Line

1" round rod, three finials, and four finishes.

Xpress Yourway: Page 9 of Catalog				Express It! Finishes Ship in 1 Day			
				Brushed Nickel	Polished Chrome	Polished Nickel	Satin Gold
<b>Round Hollow Rods</b>			<b>Unit</b>	<b>Price</b>	<b>Price</b>	<b>Price</b>	<b>Price</b>
1" Diameter			FOOT	32	39	39	42
<b>Finials</b>		<b>Length</b>	<b>Height</b>	<b>Unit</b>	<b>Price</b>	<b>Price</b>	<b>Price</b>
7003		2"	2"	EACH	61	73	73
7005		2"	1⅞"	EACH	51	61	61
7006		2"	1"	EACH	54	64	64
<b>End Caps &amp; Connectors</b>		<b>Length</b>	<b>Height</b>	<b>Unit</b>	<b>Price</b>	<b>Price</b>	<b>Price</b>
7016 - Metal End Cap		1"	1¾"	EACH	19	22	22
300 - Connector		8"	⅞"	EACH	20	20	20
<b>Brackets</b>		<b>Width</b>	<b>Height</b>	<b>Unit</b>	<b>Price</b>	<b>Price</b>	<b>Price</b>
7014 3" P		1"	3¼"	EACH	48	57	57
7014HP 3" P		3"	1"	EACH	48	57	57
7015 6" P		1"	3¼"	EACH	52	62	62
7015HP 6" P		3"	1"	EACH	52	62	62
7040 3" & 6" P		1"	4"	EACH	72	86	86
<b>Rings</b>		<b>Inner Diameter</b>		<b>Unit</b>	<b>Price</b>	<b>Price</b>	<b>Price</b>
7013		1½"		EACH	11	13	13
<b>Baton with Clip</b>		<b>Length</b>	<b>Diameter</b>	<b>Unit</b>	<b>Price</b>	<b>Price</b>	<b>Price</b>
1014		48"	½"	EACH	81	98	98

Express It! Finishes: Brushed Nickel, Polished Chrome, Polished Nickel and Satin Gold

## Finials: Ordering Information

1. All finials will have interior fit unless specified otherwise (exterior fit).
2. Finials are also available as screw-in to fit wood poles.
3. Please specify left or right orientation of finial as applicable.
  - a. If ordered in pairs (quantity of 2, 4, 6, etc.), finials will be supplied as one left and one right unless otherwise noted on order.
4. If ordering finials to fit rods other than Orion's, please provide the rod diameter and gauge.

## Finials: Pages 12 & 13 of Catalog

Product #	Unit	Iron Art Finishes				Custom Finish	Additional Information
		A	B	C	D		
400	EACH	53	67	74	78	91	Hand Forged
401	EACH	69	89	98	104	122	Hand Forged
402	EACH	53	67	74	78	91	Hand Forged
403	EACH	47	61	66	70	83	Hand Forged
404	EACH	47	61	66	70	83	Hand Forged
405	EACH	37	47	53	56	65	
406	EACH	38	48	54	57	67	
407	EACH	40	51	56	60	69	
408	EACH	41	51	57	61	70	Hand Forged / Specify Left or Right
409	EACH	41	51	57	61	70	Specify Left or Right
410	EACH	46	59	65	69	81	Specify Left or Right
411	EACH	64	82	89	96	111	
412	EACH	69	88	97	104	121	Hand Forged / For Rods 1/4" Dia. & Up
413	EACH	53	67	74	79	92	Hand Forged
414	EACH	54	68	75	80	93	
415	EACH	41	53	57	61	71	
416	EACH	58	74	81	87	101	Specify Left or Right
417	EACH	29	38	41	44	51	
418	EACH	45	57	63	67	78	Specify Left or Right
419	EACH	82	105	116	124	144	Specify Left or Right
420	EACH	30	39	43	46	54	
421	EACH	29	38	42	45	53	
422	EACH	35	44	48	53	61	Only Available as Shown in Catalog
501	EACH	92	118	129	138	161	
502	EACH	75	96	104	111	130	
503	EACH	45	57	63	67	78	
505	EACH	29	38	42	45	53	
506	EACH	84	107	118	126	147	Specify Left or Right
507	EACH	60	77	83	89	104	Specify Left or Right
508	EACH	60	77	83	89	104	
509	EACH	69	88	97	104	122	

### Finials: Pages 12 & 13 of Catalog (continued)

Product #	Unit	Iron Art Finishes				Custom Finish	Additional Information
		A	B	C	D		
510	EACH	82	105	114	123	144	
511	EACH	25	32	35	38	44	
512	EACH	40	50	56	60	69	
513	EACH	35	44	48	51	61	

### New Finials: Pages 10 & 11 of Catalog

550	EACH	90	100	108	119	138	
551	EACH	55	66	77	88	108	
552	EACH	66	77	88	99	120	
553	EACH	79	89	101	111	133	
554	EACH	70	81	91	103	125	
555	EACH	80	90	102	112	134	
556	EACH	56	67	78	88	110	
557	EACH	59	69	81	91	113	
558	EACH	39	49	60	71	92	
559	EACH	39	49	60	71	92	

### Finials: Pages 13 & 14 of Catalog (continued)

707	EACH	57	74	80	86	100	Hand Forged / Specify Left or Right
711	EACH	75	96	104	111	130	Specify Left or Right
900 SM	EACH	55	70	77	82	96	Hand Forged / Specify Left or Right
900 MD	EACH	57	72	79	84	99	Hand Forged / Specify Left or Right
901	EACH	37	47	53	56	65	
902	EACH	37	47	53	56	65	
903	EACH	37	47	53	56	65	
904 SM	EACH	40	51	56	60	69	
904 LG	EACH	69	88	97	104	122	
905	EACH	35	45	49	53	61	
906 SM	EACH	42	55	60	64	75	
906 LG	EACH	59	76	83	89	104	
907	EACH	32	41	45	48	56	Hand Forged
908	EACH	32	41	45	48	56	Hand Forged
909	EACH	38	48	54	57	67	
910	EACH	35	44	48	53	61	Hand Forged
911	EACH	29	38	42	45	53	
912	EACH	39	49	55	58	68	
913 SM	EACH	30	39	43	46	54	
913 LG	EACH	38	48	54	57	67	
914	EACH	25	32	35	37	43	

## Finials: Pages 14-16 of Catalog (continued)

Product #	Unit	Iron Art Finishes				Custom Finish	Additional Information
		A	B	C	D		
916	EACH	30	39	43	46	54	
921	EACH	37	47	53	56	65	
927	EACH	33	41	45	48	57	Specify Left or Right
929	EACH	33	42	46	49	58	Specify Left or Right
929MV	EACH	42	54	59	63	74	Movable Finial / Specify Left or Right
933	EACH	30	39	43	46	54	Also Available as Movable Finial
934	EACH	43	56	61	65	76	
935	EACH	43	56	61	65	76	
936	EACH	37	47	53	56	65	Hand Forged / Specify Left or Right
937	EACH	42	54	59	63	74	Hand Forged / Specify Left or Right
938	EACH	47	60	66	70	83	Hand Forged / Specify Left or Right
939	EACH	77	99	108	116	134	Specify Left or Right
940	EACH	60	77	83	89	104	Hand Forged
941	EACH	61	78	85	91	107	Hand Forged / Specify Left or Right
943	EACH	37	47	53	56	65	Hand Forged
944	EACH	38	48	54	57	67	Hand Forged / Specify Left or Right
945	EACH	42	54	59	63	74	Hand Forged / Specify Left or Right
946 SM	EACH	33	41	45	48	57	2" Diameter Ball
946 MD	EACH	42	54	59	63	74	3" Diameter Ball
946 LG	EACH	47	61	66	70	83	4" Diameter Ball
946H SM	EACH	37	47	53	56	65	2" Diameter Hammered Ball
946H MD	EACH	47	61	66	70	83	3" Diameter Hammered Ball
946H LG	EACH	55	70	77	82	96	4" Diameter Hammered Ball
947 SM	EACH	35	44	48	53	61	For Rods up to 3/4" Diameter Only
947 LG	EACH	42	54	59	63	74	For Rods 7/8" Diameter & Above
948	EACH	35	44	48	53	61	
949	EACH	35	44	48	53	61	
950	EACH	47	61	66	70	83	
951	EACH	68	88	96	103	120	
952	EACH	33	41	45	48	57	
953	EACH	33	41	45	48	57	
954	EACH	144	184	201	215	251	Specify Left or Right
955	EACH	38	48	54	57	67	
956	EACH	35	44	48	51	61	
966	EACH	37	47	53	56	65	
971	EACH	72	92	101	108	126	Hand Forged / Specify Left or Right
973	EACH	35	44	48	53	61	

## Finials: Page 16 of Catalog (continued)

Product #	Unit	Iron Art Finishes				Custom Finish	Additional Information
		A	B	C	D		
975	EACH	42	54	59	63	74	Hand Forged
976	EACH	35	44	48	51	61	
979	EACH	49	64	69	75	87	Specify Left or Right
982	EACH	80	102	111	120	139	Hand Forged / Specify Left or Right
983	EACH	40	51	56	60	69	
984	EACH	47	61	66	70	83	
985	EACH	80	102	111	120	139	
986	EACH	72	92	101	108	126	Hand Forged
987	EACH	33	41	45	48	57	
988	EACH	72	92	101	108	126	
989	EACH	35	44	48	53	61	
990	EACH	67	86	93	101	118	Specify Left or Right
991	EACH	53	67	74	78	91	Hand Forged
992	EACH	47	61	66	70	83	Hand Forged

## New Finials: Page 11 of Catalog

9704	EACH	21	26	29	32	37	
9705	EACH	25	33	36	38	45	
9705L	EACH	33	42	45	48	57	
9706	EACH	33	42	45	48	57	
9706L	EACH	39	50	56	59	69	

## Village Forge Collection: Ordering Information

- All finials will have interior fit unless specified otherwise (exterior fit).
- Finials are also available as screw-in to fit wood poles.
- Please specify left or right orientation of finial as applicable.
  - If ordered in pairs (quantity of 2, 4, 6, etc.), finials will be supplied as one left and one right unless otherwise noted on order.

## Village Forge Collection: Page 17 of Catalog

Product #	Unit	Iron Art Finishes				Custom Finish	Additional Information
		A	B	C	D		
600	EACH	85	108	119	127	148	Hand Forged / Specify Left or Right
601	EACH	85	108	119	127	148	Hand Forged / Specify Left or Right
602S	EACH	75	96	105	112	131	Hand Forged
602L	EACH	78	99	108	116	135	Hand Forged
603	EACH	85	108	119	127	148	Hand Forged / Specify Left or Right
604	EACH	76	96	105	112	131	Hand Forged / Specify Left or Right
605	EACH	78	99	108	116	135	Hand Forged / Specify Left or Right
606	EACH	85	108	119	127	148	Hand Forged / Specify Left or Right
607	EACH	78	99	108	116	135	Hand Forged / Specify Left or Right
608	EACH	78	99	108	116	135	Hand Forged / Specify Left or Right

## Provence Collection: Ordering Information

**The Provence Collection is available while supplies last.**

1. Finials are available to fit ¾" and 1" Round Hollow Rods.
2. Finials are available as exterior fit **ONLY**.
3. Finials are shipped in special lined and padded wooden boxes.
4. Rod finishes are available in 35 Iron Art™ finishes, 6 Italian Collection finishes, or your own custom finish.
5. Glass finials may vary in size & color as they are hand blown products.

## Provence Collection: Page 18 of Catalog

Product #	Unit	Price	Length	Height	Product #	Unit	Price	Length	Height
830	EACH	62	4½"	3"	835	EACH	58	3¼"	3¼"
831	EACH	62	4½"	3"	836	EACH	58	3¼"	3¼"
832	EACH	62	4½"	3"	837	EACH	58	3¼"	3¼"
833	EACH	62	4½"	3"	838	EACH	58	3¼"	3¼"
834	EACH	62	4½"	3"					

## Eclectic Finials: Ordering Information

**Eclectic Finials are discontinued.**

## Eclectic Finials: Page 18 of Catalog

Product #	Unit	Price	Fitting Finishes		Additional Information
			Iron Art	Italian	
801	EACH				Discontinued
802	EACH				Discontinued
803	EACH				Discontinued
804	EACH				Discontinued
805	EACH				Discontinued
806	EACH				Discontinued
807	EACH				Discontinued
808	EACH				Discontinued
809	EACH				Discontinued
810	EACH				Discontinued
811	EACH				Discontinued

## Accessories: Ordering Information

1. Rods need to be mitered when using interior elbows (Product #309). Please add Product #307 for miter charges.
2. Standard elbows and corner brackets are available in 45° and 90°. For other angles, please add Product #322 as a custom angle charge.
3. For items with custom welding, please add Product #323.

## Accessories: Page 19 of Catalog

Product #	Unit	Iron Art Finishes				Custom Finish	Additional Information
		A	B	C	D		
214	EACH	20	25	27	30	36	Hook with Screw Fitting
300	EACH	19	19	19	19	19	Connector for Spliced Rods
301-RND/SQ	EACH	14	18	20	22	25	End Cap for Round or Square Rods - Interior Fit
302/303-RND/SQ	SET	30	38	42	46	54	1 of Half Open Socket for Round or Square Rods and 1 of Full Socket (1 of 302, 1 of 303)
304 PEG 1	EACH	20	25	27	30	36	Peg with Screw Fitting
305 PEG 2	EACH	15	19	21	23	27	Peg with Screw Fitting
307	EACH	23	23	23	23	23	Miter Charge
308	EACH	33	41	45	50	58	Half Open Decorative Socket
309	EACH	23	28	32	35	41	Elbow: Specify Interior or Exterior Fit and Angle. If Interior Fit, Rods must be Mitered. Please Add Product #307.
310	EACH	29	38	42	46	54	Hook Peg
311	EACH	35	44	48	54	63	Hand-Forged Hook Bracket
312	EACH	35	44	48	54	62	Corner Bracket / Exterior Fit Only
313	EACH	7	9	11	12	14	Knob
314	EACH	18	22	24	27	32	Hook with Screw Fitting
315	EACH	45	57	63	69	81	For Hollow Rods / Interior Fit Only
316 Small	EACH	29	38	42	46	54	Ring Bracket / Order in Full Inch Inner Diameter Increments
316 Large	EACH	55	69	77	85	99	Ring Bracket / Order in Full Inch Inner Diameter Increments
317	EACH	14	16	17	18	20	Eyelet Charge
320	EACH	42	54	59	65	76	For Hollow Rods / Interior Fit Only. Hinge size 1/2", 1": 2"x2", 1 1/4"-3": 3"x3"
321	EACH	15	19	21	23	27	Decorative Cap / Interior Fit Round Hollow Rods
322	EACH	95	95	95	95	95	Custom Elbow Angle Charge
323	EACH	11	11	11	11	11	Weld Charge

Master Carriers for Rods with Rings	Product #	Unit	Price	Sets Include:
Overlap Master Carrier Set in Iron Art Finishes	MCS-IA	EACH	19	<ul style="list-style-type: none"> <li>• One straight master carrier for rings.</li> <li>• One overlap master carrier for rings.</li> <li>• Four rings (two for each carrier).</li> </ul>
Overlap Master Carrier Set in Italian Finishes	MCS-IT	EACH	26	

*Please see page 29 of the Catalog for more information on Overlap Master Carriers.*

## Rods: Ordering Information

1. Iron rods are available in 20' (240") lengths without a splice. By default, we splice any iron rod over 8'10" (106") to save on shipping charges using FedEx. Rods not specified as one piece in the order will be spliced in the center, unless a splice location is otherwise noted. Anything over 106" must be shipped by common carrier (truck line). Please note residential truck deliveries are restricted to 24' (288").
2. Rods can be mitered. Please add Product #307 (page 13) for miter charges.
3. Twist Hollow Rods, both regular and hammered, are made from the following:
  - a. 5/8" Twist Rod is made from a 1/2" Square Hollow Rod.
  - b. 7/8" Twist Rod is made from a 5/8" Square Hollow Rod.
  - c. 1" Twist Rod is made from a 3/4" Square Hollow Rod.
  - d. 1 1/4" Twist Rod is made from a 1" Square Hollow Rod.
4. Rope Rods are made from the following:
  - a. 3/4" Rope Rod is made from 4 Solid Rods each 5/16" dia.
  - b. 1 1/4" Rope Rod is made from four Hollow Rods each 1/2" dia.
  - c. 1 3/4" Rope Rod is made from seven Hollow Rods each 1/2" diameter.
5. We offer Twist Solid Rods. This is a custom product, so please call for a price quote. Due to weight considerations, a liability waiver may be required.
6. If applicable, please specify rod deductions for bay windows, arches, and bent rods.

## Rods: Page 19 of Catalog

Product # / Size	Unit	Iron Art Finishes				Custom Finish	Additional Information
		A	B	C	D		
<b>Round Hollow Rods</b>							
1/2", 5/8" Diameter	FOOT	11	14	15	17	19	Regular & Heavy Gauge / Can be Bent
3/4" Diameter	FOOT	11	14	15	18	20	Regular & Heavy Gauge / Can be Bent
1" Diameter	FOOT	15	20	22	23	28	Regular & Heavy Gauge / Can be Bent
1 1/4" Diameter	FOOT	19	23	25	28	32	Regular & Heavy Gauge / Can be Bent
1 1/2" Diameter	FOOT	21	26	29	31	36	Regular & Heavy Gauge / Can be Bent
2" Diameter	FOOT	26	33	36	39	45	Template Approval Required to Bend
3" Diameter	FOOT	33	42	46	49	58	Can NOT be Bent
<b>Heavy Gauge Charge</b>							
120	FOOT	10	10	10	10	10	Specific Diameter Round Hollow Rods Only
<b>Round Hollow Hand Hammered Rods</b>							
3/4" Diameter	FOOT	18	24	26	28	32	Can be Bent
1" Diameter	FOOT	24	30	33	35	42	Can be Bent
1 1/4" Diameter	FOOT	27	34	38	40	46	Can be Bent
1 1/2" Diameter	FOOT	29	38	41	44	52	Can be Bent
2" Diameter	FOOT	34	44	48	52	60	Template Approval Required to Bend
3" Diameter	FOOT	43	54	59	63	74	Can NOT be Bent
<b>Solid Round Rods</b>							
1/2" Diameter	FOOT	15	18	20	22	26	Can be Bent
3/4" Diameter	FOOT	18	24	26	27	32	Can be Bent
7/8" Diameter	FOOT	23	29	32	34	40	Can be Bent
<b>Solid Round Hammered Rods</b>							
1/2" Diameter	FOOT	18	24	26	27	32	Can be Bent. Max length 10'.
5/8" Diameter	FOOT	28	35	39	42	48	Can be Bent. Max length 10'.
3/4" Diameter	FOOT	33	43	46	51	58	Can be Bent. Max length 10'.
<b>Twist Hollow Rods</b>							
5/8" Diameter	FOOT	11	14	15	17	19	Can be Bent
7/8" Diameter	FOOT	18	23	25	27	31	Can be Bent
1" Diameter	FOOT	20	26	28	30	35	Can be Bent
1 1/4" Diameter	FOOT	35	45	49	54	62	Can be Bent



## Rods: Page 19 of Catalog (continued)

Product # / Size	Unit	Iron Art Finishes				Custom Finish	Additional Information
		A	B	C	D		
<b>Twist Hollow Hammered Rods</b>							
<b>5/8" Diameter</b>	FOOT	<b>23</b>	<b>29</b>	<b>32</b>	<b>34</b>	<b>40</b>	Can be Bent
<b>1" Diameter</b>	FOOT	<b>33</b>	<b>42</b>	<b>46</b>	<b>49</b>	<b>58</b>	Can be Bent
<b>1 1/4" Diameter</b>	FOOT	<b>48</b>	<b>61</b>	<b>68</b>	<b>72</b>	<b>85</b>	Can be Bent
<b>Square Hollow Rods</b>							
<b>1/2"</b>	FOOT	<b>12</b>	<b>15</b>	<b>17</b>	<b>18</b>	<b>22</b>	Can <b>NOT</b> be Bent
<b>3/4"</b>	FOOT	<b>12</b>	<b>15</b>	<b>17</b>	<b>18</b>	<b>22</b>	Can <b>NOT</b> be Bent
<b>1"</b>	FOOT	<b>15</b>	<b>19</b>	<b>22</b>	<b>23</b>	<b>27</b>	Can <b>NOT</b> be Bent
<b>1 1/4"</b>	FOOT	<b>18</b>	<b>23</b>	<b>25</b>	<b>27</b>	<b>31</b>	Can <b>NOT</b> be Bent
<b>1 1/2"</b>	FOOT	<b>20</b>	<b>26</b>	<b>28</b>	<b>30</b>	<b>35</b>	Can <b>NOT</b> be Bent
<b>2"</b>	FOOT	<b>26</b>	<b>32</b>	<b>35</b>	<b>38</b>	<b>44</b>	Can <b>NOT</b> be Bent
<b>Square Hammered Rods</b>							
<b>1/2" Solid</b>	FOOT	<b>17</b>	<b>22</b>	<b>24</b>	<b>26</b>	<b>30</b>	Can <b>NOT</b> be Bent
<b>3/4" Hollow</b>	FOOT	<b>25</b>	<b>31</b>	<b>34</b>	<b>37</b>	<b>42</b>	Can <b>NOT</b> be Bent
<b>1" Hollow</b>	FOOT	<b>29</b>	<b>37</b>	<b>41</b>	<b>44</b>	<b>51</b>	Can <b>NOT</b> be Bent
<b>Rope Rods</b>							
<b>3/4" Diameter Solid</b>	FOOT	<b>30</b>	<b>39</b>	<b>42</b>	<b>45</b>	<b>53</b>	Can be Bent
<b>1 1/4" Diameter Hollow</b>	FOOT	<b>31</b>	<b>40</b>	<b>44</b>	<b>47</b>	<b>55</b>	Can be Bent
<b>1 3/4" Diameter Hollow</b>	FOOT	<b>36</b>	<b>46</b>	<b>51</b>	<b>55</b>	<b>64</b>	Template Approval Required to Bend
<b>Wood Grain Solid Rods</b>							
<b>5/8" Diameter</b>	FOOT	<b>27</b>	<b>34</b>	<b>38</b>	<b>41</b>	<b>47</b>	Can be Bent. Max length 10'.
<b>3/4" Diameter</b>	FOOT	<b>37</b>	<b>46</b>	<b>51</b>	<b>55</b>	<b>63</b>	Can be Bent. Max length 10'.
<b>7/8" Diameter</b>	FOOT	<b>44</b>	<b>56</b>	<b>61</b>	<b>66</b>	<b>76</b>	Can be Bent. Max length 10'.
<b>Fluted Rods</b>							
<b>1 1/4" Diameter</b>	FOOT	<b>48</b>	<b>61</b>	<b>68</b>	<b>72</b>	<b>85</b>	Can <b>NOT</b> be Bent
<b>264 Rod with Returns</b>							
<b>3/4" - 2" Diameter</b>	FOOT	<b>39</b>	<b>48</b>	<b>54</b>	<b>57</b>	<b>67</b>	See Page 32 for More Details
<b>Rod Curve Charges - (Price Per Foot of Curve)</b>							
<b>101CV</b>	FOOT	<b>26</b>	<b>26</b>	<b>26</b>	<b>26</b>	<b>26</b>	1/2" to 3/4" Diameter Rods
<b>102CV</b>	FOOT	<b>28</b>	<b>28</b>	<b>28</b>	<b>28</b>	<b>28</b>	1" to 1 1/2" Diameter Rods
<b>103CV</b>	FOOT	<b>34</b>	<b>34</b>	<b>34</b>	<b>34</b>	<b>34</b>	1 3/4" to 2" Diameter Rods
<b>Rod Bend Charges - (Price Per Individual Bend)</b>							
<b>101BD</b>	EACH	<b>28</b>	<b>28</b>	<b>28</b>	<b>28</b>	<b>28</b>	1/2" to 1" Diameter Rods
<b>102BD</b>	EACH	<b>32</b>	<b>32</b>	<b>32</b>	<b>32</b>	<b>32</b>	1 1/4" to 1 1/2" Diameter Rods
<b>103BD</b>	EACH	<b>43</b>	<b>43</b>	<b>43</b>	<b>43</b>	<b>43</b>	1 3/4" to 2" Diameter Rods

## Brackets: Ordering Information

1. Standard bracket projections (measured from the wall to the center of the rod) and specifications are listed in the Bracket Guide. Any bracket **NOT** listed in Bracket Guide is a custom bracket.
2. Brackets with variations in height, diameter or projection are modified brackets.  
Please refer to Product #1047 for the bracket modification charge.
3. Close-fitting brackets (1" projection or less) are not recommended for rods over 1" diameter with rings.
4. For 3" diameter rods, please add Product #1047. Standard projection is 5".

## Brackets: Page 20 of Catalog

Product # <i>Shaded are Shown in Catalog</i>	Unit	Iron Art Finishes				Custom Finish	Additional Information
		A	B	C	D		
1010-RND/SQ	EACH	37	47	53	56	65	To Fit Round or Square Rods
1010P6-RND/SQ	EACH	47	60	66	70	83	To Fit Round or Square Rods
1011-RND/SQ	EACH	33	42	46	49	58	To Fit Round or Square Rods
1011P6-RND/SQ	EACH	47	60	66	70	83	To Fit Round or Square Rods
1021S-RND/SQ	EACH	27	35	38	41	47	To Fit Round or Square Rods
1021-RND/SQ	EACH	27	35	38	41	47	To Fit Round or Square Rods
1021P6-RND/SQ	EACH	33	42	45	49	57	To Fit Round or Square Rods
1024DBWS-RND/SQ	EACH	43	55	60	64	75	Double Bracket with Support to Fit Round or Square Rods / Same Diameter Front & Back
1024DBWS-VS-RND/SQ		Double Bracket with Support to Fit Round or Square Rods / Different Diameters for Front & Back Our Four Standard Sizes are Listed Below / Larger Diameter Rod in Front					
¾" & 1" Diameter	EACH	35	44	48	52	61	To Fit ¾" & 1" Diameter Rods
¾" & 1¼" Diameter	EACH	37	47	53	56	65	To Fit ¾" & 1¼" Diameter Rods
1" & 1¼" Diameter	EACH	40	50	56	60	69	To Fit 1" & 1¼" Diameter Rods
1" & 1½" Diameter	EACH	42	54	59	63	74	To Fit 1" & 1½" Diameter Rods
1027-RND/SQ	EACH	33	41	45	48	57	To Fit Round or Square Rods
1028-RND/SQ	EACH	22	28	32	34	39	To Fit Round or Square Rods
1028P6-RND/SQ	EACH	30	39	43	46	54	To Fit Round or Square Rods
1028HP-RND/SQ	EACH	20	26	28	30	36	For Round or Square Rods - Horizontal Plate Top Weld Standard - Center Weld on Request
1028HP-HDP3-RND/SQ	EACH	26	32	36	38	45	Rnd or Sq Rods - Horiz Plate - Top Weld Std Center Weld on Request - Heavy Duty
1028HPP6-RND/SQ	EACH	33	42	46	49	58	For Round or Square Rods - Horizontal Plate Top Weld Standard - Center Weld on Request
1028EXP-RND	EACH	38	48	54	57	66	To Fit Round Rods / Expandable
1028HDP3-RND/SQ	EACH	25	33	36	38	44	To Fit Round or Square Rods / Heavy Duty
1028WS-RND/SQ	EACH	33	42	46	49	58	To Fit Round or Square Rods / with Support
1028WSP6-RND/SQ	EACH	38	48	54	57	66	To Fit Round or Square Rods / with Support
1028EBP-RND/SQ	EACH	25	33	36	38	44	To Fit Round or Square Rods Extended Back Plate ¾" from Top
1028EBPP6-RND/SQ	EACH	30	39	43	46	54	To Fit Round or Square Rods Extended Back Plate ¾" from Top
1029P4-RND/SQ	EACH	33	42	46	49	58	To Fit Round or Square Rods
1029P6-RND/SQ	EACH	38	48	54	57	66	To Fit Round or Square Rods
1030-RND/SQ	EACH	33	42	46	49	58	To Fit Round or Square Rods
1030P6-RND/SQ	EACH	41	51	57	61	71	To Fit Round or Square Rods
1030SL-RND/SQ	EACH	25	33	36	38	44	To Fit Round or Square Rods Slim with ¾" Width
1030SLP6-RND/SQ	EACH	30	39	43	46	54	To Fit Round or Square Rods Slim with ¾" Width
1033-RND/SQ	EACH	39	49	54	58	67	To Fit Round or Square Rods
1033P6-RND/SQ	EACH	47	60	66	71	83	To Fit Round or Square Rods

## Brackets: Page 20 of Catalog (continued)

Product # <i>Shaded are Shown in Catalog</i>	Unit	Iron Art Finishes				Custom Finish	Additional Information
		A	B	C	D		
1034-RND/SQ	EACH	28	36	39	42	49	To Fit Round or Square Rods
1034P6-RND/SQ	EACH	36	45	49	54	62	To Fit Round or Square Rods
1035-RND/SQ	EACH	23	29	32	35	40	To Fit Round or Square Rods Single / Ceiling Mount
1036-RND/SQ	EACH	36	45	49	54	62	To Fit Round or Square Rods Double / Ceiling Mount
1038-RND/SQ	EACH	46	59	65	69	81	To Fit Round or Square Rods Decorative Forged
1038P6-RND	EACH	54	68	76	81	95	To Fit Round Rods / Decorative Forged
1040-RND/SQ	EACH	23	29	32	35	40	To Fit Round or Square Rods
1040P6-RND/SQ	EACH	30	39	43	46	54	To Fit Round or Square Rods
1040HDP3-RND/SQ	EACH	25	33	36	38	44	To Fit Round or Square Rods / Heavy Duty
1040DBWS-RND/SQ	EACH	36	45	49	54	62	Double Bracket with Support to Fit Round or Square Rods / Same Diameter Front & Back
1040DBWS-VS-RND/SQ		Double Bracket with Support to Fit Round or Square Rods / Different Diameters for Front & Back Our Four Standard Sizes are Listed Below / Larger Diameter Rod in Front					
¾" & 1" Diameter	EACH	36	45	49	54	62	To Fit ¾" & 1" Diameter Rods
¾" & 1¼" Diameter	EACH	38	48	54	57	66	To Fit ¾" & 1¼" Diameter Rods
1" & 1¼" Diameter	EACH	41	51	57	61	71	To Fit 1" & 1¼" Diameter Rods
1" & 1½" Diameter	EACH	43	55	61	65	76	To Fit 1" & 1½" Diameter Rods
1040EBP-RND/SQ	EACH	23	29	32	35	40	To Fit Round or Square Rods Extended Back Plate ¾" from Top
1040EBPP6-RND/SQ	EACH	30	39	43	46	54	To Fit Round or Square Rods Extended Back Plate ¾" from Top
1040HP-RND/SQ	EACH	20	26	28	30	36	For Round or Square Rods - Horizontal Plate Top Weld Standard - Center Weld on Request
1040HP-HDP3-RND/SQ	EACH	26	32	36	38	45	Rnd or Sq Rods - Horiz Plate - Top Weld Std Center Weld on Request - Heavy Duty
1040HPP6-RND/SQ	EACH	30	39	43	46	54	For Round or Square Rods - Horizontal Plate Top Weld Standard - Center Weld on Request
1040WS-RND/SQ	EACH	30	39	43	46	54	To Fit Round or Square Rods / with Support
1040WSP6-RND/SQ	EACH	36	45	49	54	62	To Fit Round or Square Rods / with Support
1040EXP-RND	EACH	41	51	57	61	71	To Fit Round Rods / Expandable
1045 (catalog page 24)	EACH	13	16	18	19	22	Top Rod Support / Heavy Duty
1046	EACH	25	33	36	38	44	¾" and ½" Round Bars for French Doors Projection: 1½"
1047	EACH	36	36	36	36	36	Bracket Modification Charge

## Decorative Brackets: Page 20 of Catalog

1100P3-RND/SQ	EACH	38	48	53	57	66	To Fit Round or Square Rods Specify Left or Right
1100P6-RND/SQ	EACH	42	55	60	64	75	To Fit Round or Square Rods Specify Left or Right
1102P3-RND/SQ	EACH	34	43	47	51	60	To Fit Round or Square Rods
1102P6-RND/SQ	EACH	41	53	58	62	72	To Fit Round or Square Rods
1103P3-RND/SQ	EACH	32	40	44	47	56	To Fit Round or Square Rods
1103P6-RND/SQ	EACH	39	49	55	58	68	To Fit Round or Square Rods
1104P3-RND/SQ	EACH	48	61	67	71	84	To Fit Round or Square Rods
1104P6-RND/SQ	EACH	56	71	78	84	98	To Fit Round or Square Rods
1105P3-RND/SQ	EACH	46	59	64	69	81	To Fit Round or Square Rods
1105P6-RND/SQ	EACH	54	68	75	80	93	To Fit Round or Square Rods
1106P3-RND/SQ	EACH	48	62	68	72	85	To Fit Round or Square Rods Specify Left or Right
1106P6-RND/SQ	EACH	58	75	82	87	102	To Fit Round or Square Rods Specify Left or Right

# Bracket Guide: Projections for Various Rod Diameters and Gauges

Product # <i>Shaded are Shown in Catalog</i>	Regular Gauge (1/8" Thick) (Not Heavy Duty)									Heavy Gauge (3/16" Thick) (Heavy Duty)														
	Refer to Pages 16 & 17 for Pricing																							
	Rod Diameter																							
	1/2"			3/4"			1"			1 1/4"			1 1/2"			1 3/4"			2"					
<i>P = Projection · W = Back Plate Width · H = Back Plate Height · D = Drop</i>																								
BRACKETS	P	W	H	P	W	H	P	W	H	P	W	H	P	W	H	P	W	H	P	W	H			
1010-RND/SQ	3"	2"	2"	3"	2"	2"	3"	2"	2"	3"	2"	2"	3"	2"	2"	4"	2"	2"	4"	2"	2"	4"	2"	2"
1010P6-RND/SQ	6"	2"	2"	6"	2"	2"	6"	2"	2"	6"	2"	2"	6"	2"	2"	6"	2"	2"	6"	2"	2"	6"	2"	2"
1011-RND/SQ	3"	2"	2 3/4"	3"	2"	2 3/4"	3"	2"	2 3/4"	3"	2"	2 3/4"	3"	2"	2 3/4"	4"	2"	2 3/4"	4"	2"	2 3/4"	4"	2"	2 3/4"
1011P6-RND/SQ	6"	2"	2 3/4"	6"	2"	2 3/4"	6"	2"	2 3/4"	6"	2"	2 3/4"	6"	2"	2 3/4"	6"	2"	2 3/4"	6"	2"	2 3/4"	6"	2"	2 3/4"
1021S-RND/SQ	1 1/2"	1"	4"	1 1/2"	1"	4"	1 1/2"	1"	4 1/4"	1 1/2"	1"	4 3/4"	2"	1"	5"	2"	1"	5"	2"	1"	5"	2"	1"	5 1/2"
1021-RND/SQ	3"	1"	4 1/2"	3"	1"	4 1/2"	3"	1"	4 1/2"	3"	1"	4 1/2"	3"	1"	5"	3"	1"	5"	4"	1"	5"	4"	1"	5 1/2"
1021P6-RND/SQ	6"	1"	6"	6"	1"	6"	6"	1"	6"	6"	1"	6 1/2"	6"	1"	6 1/2"	6"	1"	6 1/2"	6"	1"	6 1/2"	6"	1"	6 3/4"
1024DBWS-RND/SQ	3 5/8"	1"	4"	3 5/8"	1"	4"	3 5/8"	1"	4"	3 5/8"	1"	4"	3 5/8"	1"	4"	4 1/8"	1"	4"	4 1/8"	1"	4"	4 1/8"	1"	4 1/2"
1024DBWS-VS-RND/SQ	Double bracket with support to fit round or square rods. Different diameters for front & back. Our four standard sizes are listed below. Larger diameter rod is in the front.																							
To Fit 3/4" & 1" Dia. Rods				3"	1"	4"	6"	1"	4"															
To Fit 3/4" & 1 1/4" Dia. Rods				3"	1"	4"				6"	1"	4"												
To Fit 1" & 1 1/4" Dia. Rods							3"	1"	4"	6"	1"	4"												
To Fit 1" & 1 1/2" Dia. Rods							3"	1"	4"				6"	1"	4"									
1027-RND/SQ <small>round square</small>	4"	1/2"	4 1/2" 5 1/2"	4"	1/2"	4 1/2" 5 1/2"	4"	1/2"	4 1/2" 5 1/2"	4"	1/2"	4 3/4" 5 3/4"	4"	1/2"	4 3/4" 5 3/4"	4 1/2"	1/2"	4 3/4" 5 3/4"	4 1/2"	1/2"	4 3/4" 5 3/4"	4 1/2"	1/2"	4 3/4" 5 3/4"
1028-RND/SQ	3"	1"	3 1/4"	3"	1"	3 1/4"	3"	1"	3 1/4"	3"	1"	3 1/4"	3"	1"	3 1/4"	4"	1"	3 1/4"	4"	1"	3 1/4"	4"	1"	4"
1028P6-RND/SQ	6"	1"	3 1/4"	6"	1"	3 1/4"	6"	1"	3 1/4"	6"	1"	3 1/4"	6"	1"	3 1/4"	6"	1"	3 1/4"	6"	1"	3 1/4"	6"	1"	3 1/4"
1028HP-RND/SQ	3"	3"	1"	3"	3"	1"	3"	3"	1"	3"	3"	1"	3"	3"	1"	4"	3"	1"	4"	3"	1"	4"	3"	1"
1028HP-HDP3-RND/SQ	3"	3"	1"	3"	3"	1"	3"	3"	1"	3"	3"	1"	3"	3"	1"	4"	3"	1"	4"	3"	1"	4"	3"	1"
1028HPP6-RND/SQ	6"	3"	1"	6"	3"	1"	6"	3"	1"	6"	3"	1"	6"	3"	1"	6"	3"	1"	6"	3"	1"	6"	3"	1"
1028EXP-RND	3-4 1/4"	1"	3 1/4"	3-4 1/4"	1"	3 1/4"	3-4 1/4"	1"	3 1/4"	3-4 1/4"	1"	3 1/4"	3-4 1/4"	1"	3 1/4"	3-4 1/4"	1"	3 1/4"	3-4 1/4"	1"	3 1/4"	4-5 1/4"	1"	3 1/4"
1028HDP3-RND/SQ	3"	1"	3 1/4"	3"	1"	3 1/4"	3"	1"	3 1/4"	3"	1"	3 1/4"	3"	1"	3 1/4"	4"	1"	3 1/4"	4"	1"	3 1/4"	4"	1"	4"
1028WS-RND/SQ	3"	1"	4"	3"	1"	4"	3"	1"	4"	3"	1"	4"	3"	1"	4"	4"	1"	4"	4"	1"	4"	4"	1"	4"
1028WSP6-RND/SQ	6"	1"	4"	6"	1"	4"	6"	1"	4"	6"	1"	4"	6"	1"	4"	6"	1"	4"	6"	1"	4"	6"	1"	4"
1028EBP-RND/SQ	3"	1"	4"	3"	1"	4"	3"	1"	4"	3"	1"	4"	3"	1"	4"	4"	1"	4"	4"	1"	4"	4"	1"	4"
1028EBPP6-RND/SQ	6"	1"	4"	6"	1"	4"	6"	1"	4"	6"	1"	4"	6"	1"	4"	6"	1"	4"	6"	1"	4"	6"	1"	4"
1029P4-RND/SQ	4"	1"	3 1/2"	4"	1"	3 1/2"	4"	1"	3 1/2"	4"	1"	4"	4"	1"	4"	4"	1"	4"	4"	1"	4"	4"	1"	4"
1029P6-RND/SQ	6"	1"	4"	6"	1"	4"	6"	1"	4"	6"	1"	4"	6"	1"	4"	6"	1"	4"	6"	1"	4"	6"	1"	4"
1030-RND/SQ	3"	1"	3 1/4"	3"	1"	3 1/4"	3"	1"	3 1/4"	3"	1"	3 1/2"	3"	1"	3 1/2"	4"	1"	3 1/2"	4"	1"	3 1/2"	4"	1"	4"
1030P6-RND/SQ	6"	1"	3 1/4"	6"	1"	3 1/4"	6"	1"	3 1/4"	6"	1"	3 1/2"	6"	1"	3 1/2"	6"	1"	3 1/2"	6"	1"	3 1/2"	6"	1"	4"
1030SL-RND/SQ	3"	1/2"	3"	3"	1/2"	3"	3"	1/2"	3"	3"	1/2"	3 1/2"	3"	1/2"	3 1/2"	4"	1/2"	3 1/2"	4"	1/2"	3 1/2"	4"	1/2"	4"
1030SLP6-RND/SQ	6"	1/2"	3"	6"	1/2"	3"	6"	1/2"	3"	6"	1/2"	3 1/2"	6"	1/2"	3 1/2"	6"	1/2"	3 1/2"	6"	1/2"	3 1/2"	6"	1/2"	4"
1033-RND/SQ	3"	1"	3 1/2"	3"	1"	3 1/2"	3"	1"	3 1/2"	3"	1"	3 1/2"	3"	1"	3 1/2"	4"	1"	3 1/2"	4"	1"	3 1/2"	4"	1"	4 1/2"
1033P6-RND/SQ	6"	1"	3 1/2"	6"	1"	3 1/2"	6"	1"	3 1/2"	6"	1"	3 1/2"	6"	1"	3 1/2"	6"	1"	3 1/2"	6"	1"	3 1/2"	6"	1"	4 1/2"
1034-RND/SQ	3"	1"	3 1/4"	3"	1"	3 1/4"	3"	1"	3 1/2"	3"	1"	3 1/2"	3"	1"	3 1/2"	4"	1"	3 1/2"	4"	1"	3 1/2"	4"	1"	4"
1034P6-RND/SQ	6"	1"	3 1/4"	6"	1"	3 1/4"	6"	1"	3 1/2"	6"	1"	3 1/2"	6"	1"	3 1/2"	6"	1"	3 1/2"	6"	1"	3 1/2"	6"	1"	4"
1035-RND/SQ	D2" P3"	1"	2"	D2" P3"	1"	2"	D2" P3"	1"	2"	D3" P3"	1"	2"	D3" P3"	1"	2"	D4" P3"	1"	2"	D4" P3"	1"	2"	D4" P3"	1"	2"
1036-RND/SQ	D2" P3/6"	1"	2"	D2" P3/6"	1"	2"	D2" P3/6"	1"	2"	D3" P3/6"	1"	2"	D3" P3/6"	1"	2"	D4" P4/8"	1"	2"	D4" P4/8"	1"	2"	D4" P4/8"	1"	2"

## Bracket Guide: (continued)

Product # <i>Shaded are Shown in Catalog</i>  Refer to Pages 16 & 17 for Pricing	Regular Gauge (1/8" Thick) (Not Heavy Duty)									Heavy Gauge (3/16" Thick) (Heavy Duty)											
	Rod Diameter																				
	1/2"			3/4"			1"			1 1/4"			1 1/2"			1 3/4"			2"		
	<i>P = Projection · W = Back Plate Width · H = Back Plate Height · D = Drop</i>																				
BRACKETS	P	W	H	P	W	H	P	W	H	P	W	H	P	W	H	P	W	H	P	W	H
1038-RND/SQ	4"	1/2"	6 1/2"	4"	1/2"	6 1/2"	4"	1/2"	6 1/2"	4"	1/2"	6 1/2"	4"	1/2"	6 1/2"	4"	1/2"	6 1/2"	4"	1/2"	6 1/2"
1038P6-RND	6"	1/2"	6 1/2"	6"	1/2"	6 1/2"	6"	1/2"	6 1/2"	6"	1/2"	6 1/2"	6"	1/2"	6 1/2"	6"	1/2"	6 1/2"	6"	1/2"	6 1/2"
1040-RND/SQ	3"	1"	3 1/4"	3"	1"	3 1/4"	3"	1"	3 1/4"	3"	1"	3 1/4"	3"	1"	3 1/4"	4"	1"	3 1/4"	4"	1"	4"
1040P6-RND/SQ	6"	1"	3 1/4"	6"	1"	3 1/4"	6"	1"	3 1/4"	6"	1"	3 1/4"	6"	1"	3 1/4"	6"	1"	3 1/4"	6"	1"	3 1/4"
1040HDP3-RND/SQ	3"	1"	3 1/4"	3"	1"	3 1/4"	3"	1"	3 1/4"	3"	1"	3 1/4"	3"	1"	3 1/4"	4"	1"	3 1/4"	4"	1"	4"
1040DBWS-RND/SQ	3 3/6"	1"	4"	3 3/6"	1"	4"	3 3/6"	1"	4"	3 3/6"	1"	4"	3 3/6"	1"	4"	4 3/8"	1"	4"	4 3/8"	1"	4 1/2"
1040DBWS-VS-RND/SQ	Double bracket with support to fit round or square rods. Different diameters for front & back. Our four standard sizes are listed below. Larger diameter rod is in the front.																				
To Fit 3/4" & 1" Dia. Rods				3"	1"	4"	6"	1"	4"												
To Fit 3/4" & 1 1/4" Dia. Rods				3"	1"	4"				6"	1"	4"									
To Fit 1" & 1 1/4" Dia. Rods							3"	1"	4"	6"	1"	4"									
To Fit 1" & 1 1/2" Dia. Rods							3"	1"	4"				6"	1"	4"						
1040EBP-RND/SQ	3"	1"	4"	3"	1"	4"	3"	1"	4"	3"	1"	4"	3"	1"	4"	4"	1"	4"	4"	1"	4"
1040EBPP6-RND/SQ	6"	1"	4"	6"	1"	4"	6"	1"	4"	6"	1"	4"	6"	1"	4"	6"	1"	4"	6"	1"	4"
1040HP-RND/SQ	3"	3"	1"	3"	3"	1"	3"	3"	1"	3"	3"	1"	3"	3"	1"	4"	3"	1"	4"	3"	1"
1040HP-HDP3-RND/SQ	3"	3"	1"	3"	3"	1"	3"	3"	1"	3"	3"	1"	3"	3"	1"	4"	3"	1"	4"	3"	1"
1040HPP6-RND/SQ	6"	3"	1"	6"	3"	1"	6"	3"	1"	6"	3"	1"	6"	3"	1"	6"	3"	1"	6"	3"	1"
1040WS-RND/SQ	3"	1"	4"	3"	1"	4"	3"	1"	4"	3"	1"	4"	3"	1"	4"	4"	1"	4"	4"	1"	4"
1040WSP6-RND/SQ	6"	1"	4"	6"	1"	4"	6"	1"	4"	6"	1"	4"	6"	1"	4"	6"	1"	4"	6"	1"	4"
1040EXP-RND	3-4 1/4"	1"	3 1/4"	3-4 1/4"	1"	3 1/4"	3-4 1/4"	1"	3 1/4"	3-4 1/4"	1"	3 1/4"	3-4 1/4"	1"	3 1/4"	3-4 1/4"	1"	3 1/4"	4-5 1/4"	1"	3 1/4"
1045 (cat. page 24)	N/A	1/2"	1 1/2"	N/A	1/2"	1 1/2"	N/A	1/2"	1 1/2"	N/A	1/2"	2"	N/A	1/2"	2"	N/A	1/2"	2"	N/A	1/2"	2"
1046	1 1/2"	1"	1 1/4"	1 1/2"	1"	1 1/4"	1 1/2"	1"	1 1/4"	1 1/2"	1"	2"	2"	1"	2"	3"	1"	3"	3"	1"	3"
<b>DECORATIVE BRACKETS</b>																					
1100P3-RND/SQ	3"	1"	3"	3"	1"	3"	3"	1"	3"	3"	1"	3"	3"	1"	3"	4"	1"	3"	4"	1"	3"
1100P6-RND/SQ	6"	1"	3"	6"	1"	3"	6"	1"	3"	6"	1"	3"	6"	1"	3"	6"	1"	3"	6"	1"	3"
1102P3-RND/SQ	3"	1"	3"	3"	1"	3"	3"	1"	3"	3"	1"	3"	3"	1"	3"	4"	1"	3"	4"	1"	3"
1102P6-RND/SQ	6"	1"	3"	6"	1"	3"	6"	1"	3"	6"	1"	3"	6"	1"	3"	6"	1"	3"	6"	1"	3"
1103P3-RND/SQ	3"	1"	3"	3"	1"	3"	3"	1"	3"	3"	1"	3"	3"	1"	3"	4"	1"	3"	4"	1"	3"
1103P6-RND/SQ	6"	1"	3"	6"	1"	3"	6"	1"	3"	6"	1"	3"	6"	1"	3"	6"	1"	3"	6"	1"	3"
1104P3-RND/SQ	3"	1"	3"	3"	1"	3"	3"	1"	3"	3"	1"	3"	3"	1"	3"	4"	1"	3"	4"	1"	3"
1104P6-RND/SQ	6"	1"	3"	6"	1"	3"	6"	1"	3"	6"	1"	3"	6"	1"	3"	6"	1"	3"	6"	1"	3"
1105P3-RND/SQ	3"	1"	3"	3"	1"	3"	3"	1"	3"	3"	1"	3"	3"	1"	3"	4"	1"	3"	4"	1"	3"
1105P6-RND/SQ	6"	1"	3"	6"	1"	3"	6"	1"	3"	6"	1"	3"	6"	1"	3"	6"	1"	3"	6"	1"	3"
1106P3-RND/SQ	3"	1"	3"	3"	1"	3"	3"	1"	3"	3"	1"	3"	3"	1"	3"	4"	1"	3"	4"	1"	3"
1106P6-RND/SQ	6"	1"	3"	6"	1"	3"	6"	1"	3"	6"	1"	3"	6"	1"	3"	6"	1"	3"	6"	1"	3"
<b>RND = Round</b>	Round Hollow, Round Hollow Hammered, Solid Round, Solid Round Hammered, Twist Hollow, Rope, Wood Grain Solid, Fluted, and Twist Hollow Hammered																				
<b>SQ = Square</b>	Square Hollow, Square Hollow Hammered																				

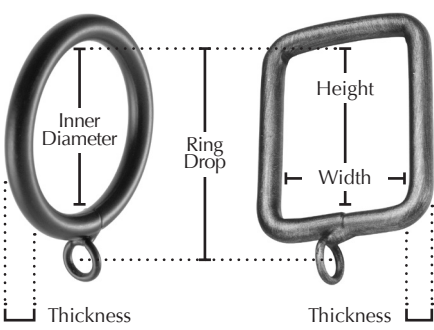
## Iron Art Rings: Ordering Information

1. Ring diameters are specified for size of rods. Please specify ring size by the size of rod in the order.
2. Rings are made of solid iron.

## Iron Art Rings: Page 21 of Catalog

Product # (Rod Diameter)	Unit	Iron Art Finishes				Custom Finish	Additional Information
		A	B	C	D		
350 (1/4" - 1/2")	EACH	4.50	5.00	6.00	6.50	8.00	
350 (5/8" - 2")	EACH	5.00	6.00	7.00	7.50	9.00	
350 (2 1/4" - 3")	EACH	9.50	11.50	12.50	13.50	14.50	
351 (5/8" - 2")	EACH	7.00	7.50	8.00	8.50	10.50	
351 (2 1/4" - 3")	EACH	10.00	12.00	13.50	14.50	16.00	
352 (1/2" - 1")	EACH	6.50	7.00	7.50	8.50	9.50	
352 (1 1/4" - 2")	EACH	7.00	7.50	8.50	9.00	10.00	
353 (1/2")	EACH	6.00	7.50	8.50	9.00	10.50	
353 (5/8" - 2")	EACH	6.50	8.50	9.50	10.00	11.00	
353 (2 1/4" - 3")	EACH	9.50	11.50	12.50	13.50	16.00	
354 (1/2")	EACH	7.50	8.00	8.50	9.00	10.50	
354 (5/8" - 2")	EACH	8.00	8.50	10.00	10.50	11.50	
354 (2 1/4" - 3")	EACH	10.00	10.50	11.50	12.50	14.00	
355 (1/2" - 1 1/4")	EACH	7.00	7.50	8.00	9.00	10.00	
355 (1 3/8" - 2")	EACH	7.00	8.00	8.50	9.50	10.50	
355 (2 1/4" - 3")	EACH	9.50	11.50	12.50	13.50	15.00	
356 (1/2")	EACH	5.50	6.00	6.50	7.00	8.50	
356 (5/8" - 2")	EACH	7.00	7.50	8.00	9.00	10.00	
356 (2 1/4" - 3")	EACH	8.50	10.50	11.50	12.50	14.50	
330 (3/4" - 1 1/2")	EACH	6.50	8.50	9.50	10.50	12.50	
330 (2" - 3")	EACH	7.00	9.00	10.00	11.00	13.00	

## Iron Art Rings: A Guide to Sizes

Ring Type	Rod/Pole Outer Diameter	Ring Inner Diameter*	Ring Outer Diameter	Thickness	Ring Drop
	1/4" **	3/4"	1 1/4"	1/4"	1 1/4"
	1/2"	1"	1 1/2"	1/4"	1 1/2"
	3/4"	1 1/4"	1 3/4"	1/4"	1 3/4"
	1"	1 1/2"	2"	1/4"	2"
	1 1/4"	1 3/4"	2 1/4"	1/4"	2 1/4"
	1 1/2"	2"	2 1/2"	1/4"	2 1/2"
	2"	2 1/2"	3"	1/4"	3"
	2 1/2"	3"	3 1/2"	1/4"	3 1/2"
	3"	3 1/2"	4"	1/4"	4"
	3 1/2" **	4"	4 1/2"	1/4"	4 1/2"
351 Twisted Ring	3/4"	1 1/4"	1 7/8"	5/16"	1 3/4"
	1"	1 1/2"	2 1/8"	5/16"	2"
	1 1/4"	1 3/4"	2 3/8"	5/16"	2 1/4"
	1 1/2"	2"	2 5/8"	5/16"	2 1/2"
	2"	2 1/2"	3 1/8"	5/16"	3"
	2 1/2"	3"	3 5/8"	5/16"	3 7/16"
3 1/2" **	4"	4 5/8"	5/16"	4 9/16"	

\*We recommend the ring's inner diameter to be 1/2" larger than the rod diameter.

20 \*\*Ring will fit this size rod, but Orion does not carry it in this size.

## Iron Art Rings: A Guide to Sizes (continued)

Ring Type	Rod/Pole Outer Diameter	Ring Inner Diameter*	Ring Outer Diameter	Thickness	Ring Drop
352 Square Ring	1/2"	3/4"W x 1 1/8"H	1 1/4"W x 1 5/8"H	1/4"	1 5/8"
	3/4"	1"W x 1 1/2"H	1 1/2"W x 2"H	1/4"	2"
	1"	1 1/4"W x 1 3/4"H	1 3/4"W x 2 1/4"H	1/4"	2 1/4"
	1 1/4"	1 1/2"W x 2"H	2"W x 2 1/2"H	1/4"	2 1/2"
	1 1/2"	2"W x 2 1/2"H	2 1/2"W x 3"H	1/4"	3"
	2"	2 1/2"W x 3"H	3"W x 3 1/2"H	1/4"	3 1/2"
353 Forged Ring	1/2"	1"	1 1/2"	1/4"	1 9/16"
	3/4"	1 1/4"	1 3/4"	1/4"	1 13/16"
	1"	1 1/2"	2"	1/4"	2 1/16"
	1 1/4"	1 3/4"	2 1/4"	1/4"	2 1/4"
	1 1/2"	2"	2 1/2"	1/4"	2 9/16"
	2"	2 1/2"	3"	1/4"	3 1/16"
	2 1/2"	3"	3 1/2"	1/4"	3 5/8"
	3"	3 1/2"	4"	1/4"	4 1/16"
3 1/2" **	4"	4 1/2"	1/4"	4 9/16"	
354 Hook Ring	1/2"	1"	1 1/2"	1/4"	1 1/2"
	3/4"	1 1/4"	1 3/4"	1/4"	1 3/4"
	1"	1 1/2"	2"	1/4"	2"
	1 1/4"	1 3/4"	2 1/4"	1/4"	2 1/4"
	1 1/2"	2"	2 1/2"	1/4"	2 1/2"
	2"	2 1/2"	3"	1/4"	3"
	2 1/2"	3"	3 1/2"	1/4"	3 1/2"
3"	3 1/2"	4"	1/4"	4"	
355 Smooth Round Ring with Clip	1/2"	1"	1 1/2"	1/4"	2 1/8"
	3/4"	1 1/4"	1 3/4"	1/4"	2 3/8"
	1"	1 1/2"	2"	1/4"	2 5/8"
	1 1/4"	1 3/4"	2 1/4"	1/4"	2 7/8"
	1 1/2"	2"	2 1/2"	1/4"	3 1/8"
	2"	2 1/2"	3"	1/4"	3 5/8"
	2 1/2"	3"	3 1/2"	1/4"	4 1/8"
	3"	3 1/2"	4"	1/4"	4 5/8"
3 1/2" **	4"	4 1/2"	1/4"	5 1/8"	
356 Hammered Round Ring	1/2"	1"	1 1/2"	1/4"	1 1/2"
	3/4"	1 1/4"	1 3/4"	1/4"	1 3/4"
	1"	1 1/2"	2"	1/4"	2"
	1 1/4"	1 3/4"	2 1/4"	1/4"	2 1/4"
	1 1/2"	2"	2 1/2"	1/4"	2 1/2"
	2"	2 1/2"	3"	1/4"	3"
	2 1/2"	3"	3 1/2"	1/4"	3 1/2"
3"	3 1/2"	4"	1/4"	4"	
330 Bypass Ring	3/4"	1 1/4"	1 3/4"	1/4"	1 3/4"
	1"	1 1/2"	2"	1/4"	2"
	1 1/4"	1 3/4"	2 1/4"	1/4"	2 1/4"
	1 1/2"	2"	2 1/2"	1/4"	2 1/2"
	2"	2 1/2"	3"	1/4"	3"
3"	3 1/2"	4"	1/4"	4"	

\*We recommend the ring's inner diameter to be 1/2" larger than the rod diameter.

\*\*Ring will fit this size rod, but Orion does not carry it in this size.

## Swing Arms: Ordering Information

1. Please specify left or right orientation and length with end finial included.
2. Swing arm pricing is for the configurations pictured in the catalog only.
  - a. Swing arm #1093 is shown with a movable finial Product #929MV (page 10), which is an additional charge and is **NOT** included in the swing arm price.
  - b. Swing arm #1094 includes five equally spaced eyelets in the price. Additional eyelets are available. Please add Product #317 for each additional eyelet.
3. Mounting plates are available as R1, R2, and D3 styles, and are interchangeable upon request at no additional cost.
4. Swing arm support brackets are available as shown in the catalog. Please add Product #1099 to the order.
5. Please refer to minimum lengths as specified in the catalog.
6. Measurements are based from the end of the back plate to the outer tip of the finial.
7. Standard projection is 1/2". Please specify Product #1097 for a 3" projection and #1098 for a 6" projection.
8. Any finial can be utilized. Please add the finial price to the swing arm price.

## Swing Arms: Page 21 of Catalog

Product # / Size	Unit	Iron Art Finishes				Custom Finish	Additional Information
		A	B	C	D		
<b>1074 - 1/2" Diameter Round Rods</b>							
12" Length	EACH	43	55	60	64	75	Max. Weight for 1/2" Dia.: 3lbs.
18" Length	EACH	49	63	69	75	87	Max. Weight for 1/2" Dia.: 3lbs.
24" Length	EACH	57	72	80	85	100	Max. Weight for 1/2" Dia.: 3lbs.
30" Length	EACH	57	72	80	85	100	Max. Weight for 1/2" Dia.: 3lbs.
36" Length	EACH	62	79	86	92	108	Max. Weight for 1/2" Dia.: 3lbs.
<b>1074A - 3/4" Diameter Round Rods</b>							
12" Length	EACH	47	61	66	71	83	Max. Weight for 3/4" Dia.: 5lbs.
18" Length	EACH	53	66	74	78	91	Max. Weight for 3/4" Dia.: 5lbs.
24" Length	EACH	59	76	83	89	104	Max. Weight for 3/4" Dia.: 5lbs.
30" Length	EACH	62	79	86	92	108	Max. Weight for 3/4" Dia.: 5lbs.
36" Length	EACH	68	87	97	103	121	Max. Weight for 3/4" Dia.: 5lbs.
<b>1075 - 3/4" Diameter Round Rods - Minimum Length is 18"</b>							
18" Length	EACH	92	118	129	139	162	Max. Weight for 3/4" Dia.: 5lbs.
24" Length	EACH	98	124	137	146	170	Max. Weight for 3/4" Dia.: 5lbs.
30" Length	EACH	107	137	149	160	187	Max. Weight for 3/4" Dia.: 5lbs.
36" Length	EACH	113	145	160	171	200	Max. Weight for 3/4" Dia.: 5lbs.
<b>1090 - 5/8" Diameter Twist Hollow Rods</b>							
12" Length	EACH	62	79	87	93	108	Max. Weight for 5/8" Dia.: 3lbs.
18" Length	EACH	68	87	97	103	121	Max. Weight for 5/8" Dia.: 3lbs.
24" Length	EACH	76	97	106	113	132	Max. Weight for 5/8" Dia.: 3lbs.
30" Length	EACH	81	103	112	121	141	Max. Weight for 5/8" Dia.: 3lbs.
36" Length	EACH	88	111	123	131	153	Max. Weight for 5/8" Dia.: 3lbs.



## Swing Arms: Page 21 of Catalog (continued)

Product # / Size	Unit	Iron Art Finishes				Custom Finish	Additional Information
		A	B	C	D		
<b>1091 - 3/4" Diameter Round Rods - Minimum Length is 36"</b>							
<b>36" Length</b>	EACH	<b>168</b>	<b>214</b>	<b>235</b>	<b>252</b>	<b>294</b>	Max. Weight for 3/4" Dia.: 5lbs.
<b>40" Length</b>	EACH	<b>175</b>	<b>224</b>	<b>246</b>	<b>264</b>	<b>307</b>	Max. Weight for 3/4" Dia.: 5lbs.
<b>48" Length</b>	EACH	<b>185</b>	<b>236</b>	<b>259</b>	<b>277</b>	<b>323</b>	Max. Weight for 3/4" Dia.: 5lbs.
<b>1092 3/4" Diameter Round Rods - Minimum Length is 18"</b>							
<b>18" Length</b>	EACH	<b>132</b>	<b>169</b>	<b>186</b>	<b>200</b>	<b>232</b>	Max. Weight for 3/4" Dia.: 5lbs.
<b>24" Length</b>	EACH	<b>138</b>	<b>175</b>	<b>192</b>	<b>206</b>	<b>240</b>	Max. Weight for 3/4" Dia.: 5lbs.
<b>30" Length</b>	EACH	<b>145</b>	<b>185</b>	<b>203</b>	<b>217</b>	<b>253</b>	Max. Weight for 3/4" Dia.: 5lbs.
<b>36" Length</b>	EACH	<b>151</b>	<b>193</b>	<b>212</b>	<b>228</b>	<b>266</b>	Max. Weight for 3/4" Dia.: 5lbs.
<b>1093 - 1" Diameter Round Rods (Birds not included. Add Product #929MV on page 10)</b>							
<b>12" Length</b>	EACH	<b>92</b>	<b>118</b>	<b>129</b>	<b>139</b>	<b>162</b>	Max. Weight for 1" Dia.: 5lbs.
<b>18" Length</b>	EACH	<b>98</b>	<b>124</b>	<b>137</b>	<b>146</b>	<b>170</b>	Max. Weight for 1" Dia.: 5lbs.
<b>24" Length</b>	EACH	<b>102</b>	<b>130</b>	<b>143</b>	<b>153</b>	<b>179</b>	Max. Weight for 1" Dia.: 5lbs.
<b>30" Length</b>	EACH	<b>109</b>	<b>139</b>	<b>152</b>	<b>164</b>	<b>191</b>	Max. Weight for 1" Dia.: 5lbs.
<b>36" Length</b>	EACH	<b>111</b>	<b>142</b>	<b>156</b>	<b>167</b>	<b>195</b>	Max. Weight for 1" Dia.: 5lbs.
<b>1094 - 1/2" Square Solid Rods</b>							
<b>12" Length</b>	EACH	<b>147</b>	<b>187</b>	<b>206</b>	<b>221</b>	<b>257</b>	Max. Weight for 1/2" Dia.: 3lbs. 5 Eyelets Included
<b>18" Length</b>	EACH	<b>151</b>	<b>193</b>	<b>212</b>	<b>228</b>	<b>266</b>	Max. Weight for 1/2" Dia.: 3lbs. 5 Eyelets Included
<b>24" Length</b>	EACH	<b>156</b>	<b>200</b>	<b>219</b>	<b>234</b>	<b>274</b>	Max. Weight for 1/2" Dia.: 3lbs. 5 Eyelets Included
<b>30" Length</b>	EACH	<b>162</b>	<b>206</b>	<b>226</b>	<b>242</b>	<b>282</b>	Max. Weight for 1/2" Dia.: 3lbs. 5 Eyelets Included
<b>36" Length</b>	EACH	<b>171</b>	<b>217</b>	<b>239</b>	<b>256</b>	<b>298</b>	Max. Weight for 1/2" Dia.: 3lbs. 5 Eyelets Included
<b>317</b>	EACH	<b>14</b>	<b>16</b>	<b>17</b>	<b>18</b>	<b>20</b>	Eyelet Charge
<b>1097</b>	EACH	<b>32</b>	<b>40</b>	<b>44</b>	<b>47</b>	<b>56</b>	3" Projection Bracket
<b>1098</b>	EACH	<b>36</b>	<b>46</b>	<b>50</b>	<b>55</b>	<b>63</b>	6" Projection Bracket
<b>1099</b>	EACH	<b>18</b>	<b>23</b>	<b>25</b>	<b>27</b>	<b>32</b>	Support Bracket

## Tiebacks / Swag Holders: Ordering Information

1. All finials - with the exception of Eclectic Collection and Provence Collection - can be utilized to make tiebacks and swag holders.  
Please add product #1087 for "U" Shape Bend (3½" projection), #1088 for Expandable Post Projection (3" to 4½" projection), or #1088FX for Fixed Post Projection (3", 4", or 6½" projections).
2. Please specify center facing or vertical orientation of Expandable Post Projection Tieback in the order.
3. Please specify left or right orientation of tiebacks and swag holders, as applicable.
4. Tiebacks and swag holders can be used as finials.

## Tiebacks / Swag Holders: Pages 22 & 23 of Catalog

Product #	Unit	Iron Art Finishes				Custom Finish	Additional Information
		A	B	C	D		
715	EACH	34	43	47	51	60	Specify Left or Right
716	EACH	44	56	61	65	77	Specify Left or Right
929 TB	EACH	39	49	55	58	68	Specify Left or Right
933 TB	EACH	39	49	55	58	68	Only Available as Shown in Catalog
977	EACH	37	46	50	55	64	
1003	EACH	37	46	51	55	64	
1004	EACH	37	46	51	55	64	
1005	EACH	51	65	71	77	89	
1006	EACH	53	66	74	78	91	Only Available as "U" Shape Bend
1007	EACH	51	65	71	77	89	
1008	EACH	58	75	82	87	102	
1013	EACH	29	37	41	44	51	
1026	EACH	40	50	56	60	69	
1031	EACH	35	44	48	53	61	
1032	EACH	42	54	59	63	74	Only Available as Shown in Catalog
1037	EACH	45	57	63	67	78	Specify Left or Right
1039	EACH	46	59	64	69	81	Specify Left or Right
1057	EACH	46	59	64	69	81	
1058	EACH	46	59	64	69	81	
1059	EACH	34	43	47	51	60	
1060	EACH	34	43	47	51	60	
1061	EACH	44	56	61	65	77	
1063	EACH	42	53	58	62	72	
1064	EACH	39	49	55	58	68	
1065	EACH	32	40	44	47	56	Only Available as Shown in Catalog
1066	EACH	39	49	55	58	68	
1067	EACH	56	71	78	84	98	
1068	EACH	46	59	64	69	81	Specify Left or Right
1069	EACH	63	81	88	95	110	Specify Left or Right
1070	EACH	48	62	68	72	85	Specify Left or Right
1071	EACH	48	62	68	72	85	Hand Forged

## Tiebacks / Swag Holders: Page 23 of Catalog (continued)

Product #	Unit	Iron Art Finishes				Custom Finish	Additional Information
		A	B	C	D		
1072	EACH	45	58	63	67	79	
1073	EACH	37	46	50	55	64	
1076	EACH	39	49	55	58	68	
1077	EACH	39	49	55	58	68	
1078	EACH	44	57	62	66	78	
1079	EACH	47	60	65	70	82	
1080	EACH	47	60	66	70	83	
1081	EACH	37	46	50	55	64	Only Available as Shown in Catalog
1082	EACH	39	49	55	58	68	
1083	EACH	34	43	47	51	60	
1084	EACH	41	53	58	62	72	
1085	EACH	54	68	75	80	93	
1086	EACH	23	29	33	35	41	
1087	EACH	21	27	29	32	38	"U" Shape Bend Charge for Finials 3½" Projection
1088	EACH	22	28	30	33	38	Expandable Post Projection Charge for Finials: 3"-4½" Projection
1088FX-300	EACH	24	31	33	36	42	Fixed Post Projection with Mounting Plate Charge for Finials: 3"P, 3⅛" Dia.
1088FX-400	EACH	24	31	33	36	42	Fixed Post Projection with Mounting Plate Charge for Finials: 4"P, 3⅛" Dia.
1088FX-650	EACH	24	31	33	36	42	Fixed Post Projection with Mounting Plate Charge for Finials: 6½"P, 3⅛" Dia.
2087	EACH	17	21	23	25	29	"U" Shape Bend Tieback

### Batons: Ordering Information

1. Batons come with finials as shown in the catalog.
  - a. Any finial can be utilized. Please add finial price to the baton price.
2. Please specify length of the baton in the order. (Length more than 108". Please call for quote.)
3. Please specify the hook style as ring or clip in the order. Ring style hooks are available with or without an additional eyelet. Please specify your preference in the order.
4. Baton #1017 is ¼" diameter. All other batons are ½" diameter.

### Batons: Pages 23 & 60 of Catalog

**For All Batons: #1015, #1016, #1017, #1018, #1019, and #1020**

Length	Unit	Iron Art Finishes				Custom Finish	Additional Information
		A	B	C	D		
12"-24"	EACH	43	55	60	64	74	
25"-48"	EACH	50	65	70	77	88	
49"-72"	EACH	67	84	93	100	117	
73"-84"	EACH	82	105	116	124	145	
85"-108"	EACH	101	128	141	151	176	

*Baton #1016 is available as #1014 in Italian Finishes. Please see page 69.  
Additional Clips Available for \$2.50 each, item #1022*

## Unique Collection: Ordering Information

- The Bypass System utilizes "C" rings, available as Product #330C. Rings are available as follows:
  - 1¼" inner diameter for ¾" rods
  - 1½" inner diameter for 1" rods
  - 1¾" inner diameter for 1¼" rods
  - 2" inner diameter for 1½" rods
  - 2½" inner diameter for 2" rods
  - 4" inner diameter for 3" rods.
- Only straight Round Hollow Rods with ¾", 1", 1¼", 1½", 2", 3" diameters and 1" Square Hollow Rod can be utilized with the Bypass System. Please refer to the rods section in the catalog (page 19), and the price list (page 14).
- Bent rods or rods with elbows can **NOT** be utilized.
- To ensure proper operation:
  - Please utilize brackets from this collection only.
  - Drapes must be heavy enough to keep the eyelet pointed toward the ground (6 o'clock).
  - Rods must not be bowed. Be sure to use enough support brackets.
  - Ensure rods are level.

## Unique Collection (Bypass System): Page 24 of Catalog

Product #	Unit	Iron Art Finishes				Custom Finish	Additional Information
		A	B	C	D		
318SC	EACH	25	32	35	37	43	Center Support Bracket Single 3" Projection
318SCHP	EACH	25	32	35	37	43	Center Support Horizontal Backplate Bracket. Single 3" Projection
318SC-6P	EACH	29	38	41	44	51	Center Support Bracket Single 6" Projection
319DC	EACH	49	62	68	74	86	Center Support Bracket Double 3" and 6" Projections
330 (¾" - 1½")	EACH	6.50	8.50	9.50	10.50	12.50	"C" Ring to Match Rod Sizes
330 (2" - 3")	EACH	7.00	9.00	10.00	11.00	13.00	"C" Ring to Match Rod Sizes
1028SE	EACH	24	32	35	37	43	End Bracket / Single 3" Projection
1028SE-6P	EACH	29	37	41	44	51	End Bracket / Single 6" Projection
1024DE	EACH	43	56	61	65	76	End Bracket Double 3" & 6" Projections

See page 69 for Unique Collection in Italian Finishes.

## Oasis Collection: Ordering Information

- Expandable set pricing is for the configurations pictured in the catalog only.
- All sets include rods, finials, and brackets. Please order rings separately.
  - Brackets are the standard bracket #1028 on page 20 of the catalog, with a 3" projection.
  - Rod lengths exclude finials. Please refer to finial specifications in the finial section of the catalog.
- Expandable sets come as a 1" and 7/8" diameter straight Round Hollow Rod combination and can **NOT** be bent.
- Finials are welded on the rods.

## Oasis Collection (Expandable Sets): Page 24 of Catalog

Product Set Lengths	Unit	Iron Art Finishes				Custom Finish	Additional Information
		A	B	C	D		
Small: 27" - 48"	SET	131	166	183	195	228	Style as Shown in Catalog
Medium: 45" - 82"	SET	160	202	223	238	277	Style as Shown in Catalog
Large: 81" - 118"	SET	207	263	289	310	361	Style as Shown in Catalog
Extra Large: 117" - 154"	SET	252	320	352	377	440	Style as Shown in Catalog

## Milano Collection: Ordering Information

**The Milano Collection is available while supplies last.**

1. The Milano Collection is available in 5/8" Hollow Round Rods only.
2. Finials can be utilized to make "U" Shape Bend tiebacks. Please add Product #2087 to the finial price.
3. Brackets #2080 and #2081 are designed for standard wood headrail support.  
Please see the image in the catalog (page 25). Brackets are 3/4" wide.

### Milano Collection (Roman Shades on Hardware): Page 25 of Catalog

Product #	Unit	Iron Art Finishes				Satin Brass	Custom Finish	Additional Information
		A	B	C	D			
2070	EACH	17	21	24	25	21	29	Interior Fit Only
2071	EACH	11	13	15	16	13	18	Interior Fit Only
2072	EACH	11	13	15	16	13	18	Interior Fit Only
2073	EACH	13	16	18	19	16	22	Interior Fit Only
2074	EACH	25	32	35	38	32	44	Interior Fit Only
2075	EACH	27	35	38	41	35	48	Interior Fit Only
2080	EACH	13	16	18	19	N/A	22	Headrail Support Bracket 2" Projection
2081	EACH	13	16	18	19	N/A	22	Headrail Support Bracket 3" Projection
2082	EACH	15	19	21	22	N/A	26	Single Bracket / 2" Projection
2083	EACH	15	19	21	22	N/A	26	Single Bracket / 3" Projection
2084	EACH	17	21	24	25	N/A	29	Double Bracket 3" and 6" Projections
2087	EACH	15	19	21	22	N/A	26	"U" Shape Bend Tieback
2088	EACH	5	6	7	7	N/A	9	Extended Eyelet Ring

N/A = Not Available

## Fina Collection: Ordering Information

1. Fina Collection finials are available for 1/2" diameter Round Hollow Rods only.
2. Finials are available as exterior fit only.
3. Rod and rings are **NOT** included.

### Fina Collection (Thin Line Hardware): Page 25 of Catalog

Product #	Unit	Iron Art Finishes				Custom Finish	Additional Information
		A	B	C	D		
1041 P1	EACH	16	20	22	24	28	1" Projection Bracket
1041 P2	EACH	20	26	28	30	36	2" Projection Bracket
2010	EACH	14	17	19	20	24	Exterior Fit Only
2015	EACH	16	20	22	24	28	Exterior Fit Only
2020	EACH	19	24	26	28	33	Exterior Fit Only
2025	EACH	16	20	22	24	28	Exterior Fit Only
2030	EACH	17	22	24	26	30	Exterior Fit Only
2040	EACH	14	17	19	20	24	Exterior Fit Only
2050	EACH	14	17	19	20	24	Exterior Fit Only
2060	EACH	18	23	25	27	32	Exterior Fit Only
2087	EACH	16	20	22	24	28	"U" Shape Bend Tieback

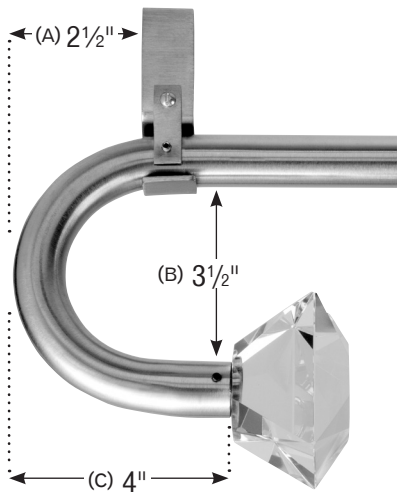
## 3D Drapery Hardware: Ordering Information

- Use with single or double rod systems.
  - Order your rod length tip to tip.
  - Back rods in the double rod system are the same length as the front rod, including their end caps.
- Works with 1" round hollow rods in smooth or hammered styles.
  - Smooth styles available in 35 Iron Art™ finishes or 5 Italian Collection finishes (excludes Polished Chrome).
  - Hammered styles available in 35 Iron Art™ finishes.
  - Custom finishes available for smooth or hammered styles.
- Choose from any style of ring. Bypass rings may only be used with smooth style rods.
- Choose from any style of bracket. Brackets ordered for use with the 3D system will include lids and set screws.
- Choose from almost any Iron Art™ finial, all Italian finials, and all Bohemia Crystal finials. Because of their size and branch shape, we don't recommend the 3D system for use with Iron Art™ finials #410, #416, #506, #711, #939, #954, #979, and #982, and Village Forge finials #600, #601, #603, and #606.
- Optional master carrier sets work with center open draperies and rings for complete drapery closure in the front.

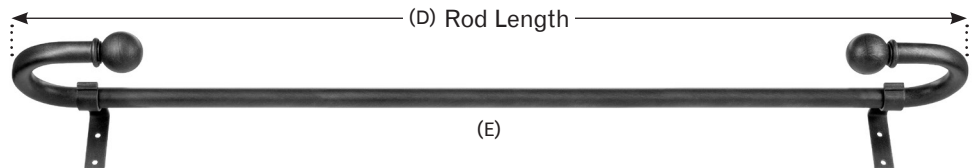
## 3D Drapery Hardware: Pages 26-29 of Catalog

Description	Product #	Unit	Price	Sets Include:
3D Single Kit for Iron Art Finishes	3D-SIA	EACH	46	<ul style="list-style-type: none"> <li>Two 180° U-Bends for one iron rod.</li> <li>Two straight master carriers for rings.</li> <li>Four rings (two for each straight carrier).</li> </ul>
3D Single Kit for Italian Finishes	3D-SIT	EACH	56	
3D Double Kit for Iron Art Finishes	3D-DIA	EACH	64	<ul style="list-style-type: none"> <li>Two 180° U-Bends for one iron rod.</li> <li>Four straight master carriers for rings.</li> <li>Eight rings (two for each straight carrier).</li> <li>Two end caps for one back rod.</li> </ul>
3D Double Kit for Italian Finishes	3D-DIT	EACH	78	
Overlap Master Carrier Set in Iron Art Finishes	MCS-IA	EACH	18	<ul style="list-style-type: none"> <li>One straight master carrier for rings.</li> <li>One overlap master carrier for rings.</li> <li>Four rings (two for each carrier).</li> </ul>
Overlap Master Carrier Set in Italian Finishes	MCS-IT	EACH	25	

## 3D Drapery Hardware: Measurement Guidelines



- The distance from the end of the straight rod to the edge of the curve is 2½".
- The U-Bend projection is 3½".
- The front face of the U-Bend is 4" long, not including the finial.
- Order your rod length tip to tip.
- Available in 1" diameter round hollow smooth or hammered styles, single or double rod systems. Back rods in the double rod system are the same length as the front rod, including their end caps.



## 3D Drapery Panels: Ordering Information

1. For use as a single rod system.
  - a. Order your rod length tip to tip.
  - b. Order your front panel rod extension length up to 24".
2. Works only with 1" Smooth Round Hollow Rods.
  - a. Available in 35 Iron Art™ finishes or 5 Italian Collection finishes (excludes Polished Chrome).
  - b. Custom finishes available.
3. Choose from any style of ring for the front panels.  
Use Unique Collection Bypass "C" Rings for functional rear draperies (330C or 7330C).
4. Use Unique Collection Single Bypass End Brackets (1028SE or 7014SE).  
Use Unique Collection Single Bypass Support Brackets for additional support (318SC or 7318SC).
5. Choose from almost any Iron Art™ finial, all Italian finials, and all Bohemia Crystal finials. Because of their size and branch shape, we don't recommend the 3D system for use with Iron Art™ finials #410, #416, #506, #711, #939, #954, #979, and #982, and Village Forge finials #600, #601, #603, and #606.
6. Optional master carrier sets work with center open draperies and rings for complete drapery closure in the front.

## 3D Drapery Panels: Pages 30-31 of Catalog

Description	Product #	Unit	Price	Sets Include:
3D Panel Kit for Iron Art Finishes	3D-PIA	EACH	110	<ul style="list-style-type: none"> <li>• Two 180° U-Bends for One Iron Rod</li> <li>• Two Front Panel Rod Extensions Up To 24" Long</li> <li>• Two 3D319DC Support Brackets</li> <li>• Two Straight Master Carriers for Rings</li> <li>• Four Bypass "C" Rings (Two for Each Straight Carrier)</li> </ul>
3D Panel Kit for Italian Finishes	3D-PIT	EACH	198	<ul style="list-style-type: none"> <li>• One straight master carrier for rings.</li> <li>• One overlap master carrier for rings.</li> <li>• Four rings (two for each carrier).</li> </ul>
Overlap Master Carrier Set in Iron Art Finishes	MCS-IA	EACH	18	
Overlap Master Carrier Set in Italian Finishes	MCS-IT	EACH	25	

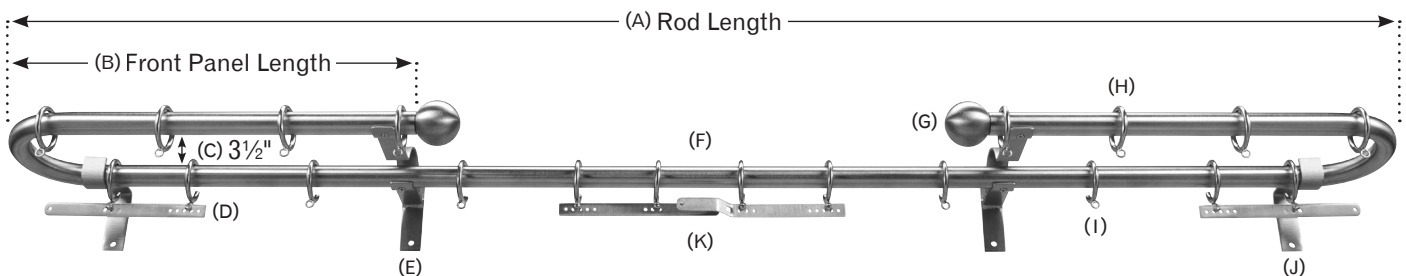
## 3D Drapery Panels: Measurement Guidelines

### Measurement Guidelines:

- A) Order your rod length tip to tip.
- B) Order your front panel rod extension length up to 24".
- C) The U-Bend projection is 3½".
- D) Two Straight Master Carriers and four Bypass "C" Rings are included in the set.
- E) Two 3D319DC Support Brackets are included in the set.

### Order These in Addition to the Kit:

- F) 1" diameter Smooth Round Hollow Rod
- G) Finials
- H) Rings for front panel
- I) Unique Collection Bypass "C" Rings for rear draperies (330C or 7330C)
- J) Unique Collection Bypass End Brackets (1028SE or 7014SE)
- K) Optional Overlap Master Carrier Set



## Tropical Collection: Ordering Information

*The Tropical Collection is available while supplies last.*

FINIALS (Page 32 of the catalog)

1. Any finial can be utilized for making a "U" Shape Bend tieback. Please add Product #9060 to the order.

CORNICES (Page 32 of the catalog)

1. Cornices can be fabricated in 3½" and 5½" height only, and can **NOT** be bent.
2. For additional details please refer to the Tuscany Collection (Decorative Metal Cornices) ordering information (page 36).

RODS (Page 33 of the catalog)

1. Rods can be bent. Please add #9020BT or #9022BT. Please send a template for approval to bend 2" dia. rods.
2. The Bamboo Swirl Rod (#9022) is decorative only, and is not meant to be used with rings nor with panels that will be moved.
3. The Bamboo Swirl Rod (Product #9022) can be bent. Please add Product #9022BT to the order.  
Please send a template for approval to bend 2" diameter rods.

SWING ARMS (Page 33 of the catalog)

1. Swing arms are supplied with a bamboo cap finial (Product #9004) only.
2. Please specify the length with the finial included.
3. The standard projection is ½". Please add Product #1097 (page 23) for a 3" projection or Product #1098 (page 23) for a 6" projection.
4. Swing arm support brackets are available as shown in the catalog. Please add Product #1099 (page 23) to the order.

BATONS (Page 33 of the catalog)

1. Please specify hook style as ring or clip in the order.
2. Batons are finished at the end as shown. No finials are included.

BRACKETS (Page 33 of the catalog)

1. Brackets are available in 3" projection (Product #9010), 6" projection (Product #9011), double (3"/6") projection (Product #9012), and traverse (Product #1263).

RINGS (Page 33 of the catalog)

1. There are two types of bamboo rings; round (Product #9025) and flat (Product #9029).

FINISHES (Page 33 of the catalog)

1. Tropical Collection finishes are only available for this collection.

## Tropical Collection (Bamboo on Iron): Pages 32 & 33 of Catalog

Product #	Unit	Iron Art Finishes				Tropical Finishes	Custom Finish	Additional Information
		A	B	C	D			
1263ST6	EACH	32	40	44	47	44	55	Single Traverse / Rod Combination 6" Projection / Light Drapes
1263DT	EACH	34	43	47	50	47	59	Double Traverse / Rod Combination: 4½"- 5½" and 7½" Projections / Light Drapes
8006	EACH	24						Tropical Bamboo Finish Selector Set
9000	EACH	121	154	169	182	169	212	Iron Finial / Interior Fit Only
9001	EACH	108	137	151	162	151	189	Iron Finial / Interior Fit Only
9002	EACH	106	135	148	158	148	185	Iron Finial / Interior Fit Only
9004	EACH	25	32	35	38	35	44	Iron Finial / Interior Fit Only
9005	EACH	50	64	71	76	71	88	Iron Finial / Interior Fit Only
9010	EACH	40	51	56	60	56	70	Single Bracket / 3" Projection
9011	EACH	42	54	59	63	59	74	Single Bracket / 6" Projection
9012	EACH	63	80	88	95	88	110	Double Bracket 3" and 6" Projections
<b>9020 Straight Hollow Rods</b>								
¾" Dia.	FOOT	25	32	35	38	35	44	Can be Bent
1" Dia.	FOOT	27	35	38	41	38	48	Can be Bent
1¼" Dia.	FOOT	29	37	41	44	41	51	Can be Bent
1½" Dia.	FOOT	34	43	47	50	47	59	Can be Bent
2" Dia.	FOOT	38	48	53	57	53	66	Template Approval Required to Bend
9020CV	FOOT	28	28	28	28	28	28	Product #9020 Rod Curve Charge



## Tropical Collection (Bamboo on Iron): Pages 32 & 33 of Catalog

Product #	Unit	Iron Art Finishes				Tropical Finishes	Custom Finish	Additional Information
		A	B	C	D			
<b>9022 Decorative Rods - Bamboo Swirl</b>								
¾" Dia.	FOOT	42	54	59	63	59	74	Can be Bent
1" Dia.	FOOT	44	56	62	66	62	77	Can be Bent
1¼" Dia.	FOOT	46	59	65	69	65	81	Can be Bent
1½" Dia.	FOOT	48	62	68	72	68	85	Can be Bent
2" Dia.	FOOT	50	64	71	76	71	88	Template Approval Required to Bend
9022CV	FOOT	32	32	32	32	32	32	Product #9022 Rod Curve Charge
9025	EACH	9	11	12	13	12	15	Round Ring / ⅜" Thick 1⅜", 1⅞", 2½", and 3" Inner Diameters
9029	EACH	11	13	15	16	15	18	Flat Ring / ¾" Wide 1⅜", 1⅞", 2½", and 3" Inner Diameters
9040S	FOOT	84	107	118	126	118	147	Decorative Cornice 3½" High
9040D	FOOT	116	147	162	173	162	202	Decorative Cornice 5½" High
9046	FOOT	53	67	74	79	74	92	Swing Arm
9050	EACH	84	107	118	126	118	147	38" Baton
9060	EACH	19	24	26	28	26	33	"U" Shape Bend Tieback
9003	EACH							Discontinued

## Burgundy Collection: Ordering Information

1. Templates need to be provided with orders for bent rods. Please specify if bracket deductions are needed. If not specified, template will be used as rod size.
2. Products #280, #281, #282, and #283 are only available as shown in the catalog and can **NOT** be bent.
3. Products #252, #253, and #255 can be bent. Please add #286 for the bending charge (per foot) to the order.
4. Standard returns are 3" and 6". Other return sizes are available upon request.
5. Finials can be utilized with Products #252, #253, #254, #280, #281, #282, #283, #284, and #285 with ¾" diameter and above rods. Please order finials separately.
6. Mounting plates are included in all styles except #252, #253, #254, and #254B. Please order brackets separately.
7. Products #284 and #285 can be configured to any length, and include end brackets in the pricing. Any center support brackets required must be ordered separately.
8. 264H (hammered) is not offered with "C" Rings - ByPass System.

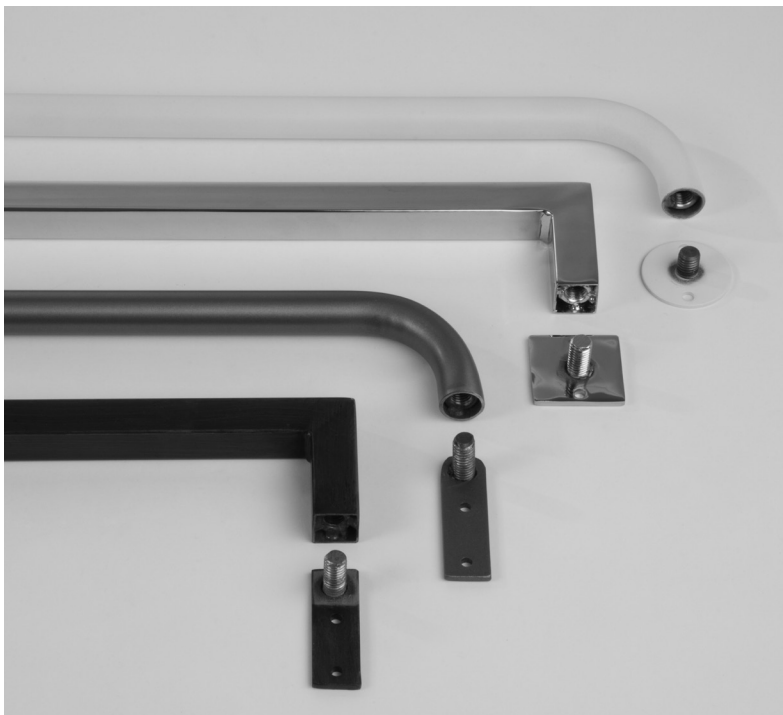
## Burgundy Collection (Decorative Rods): Pages 34 & 35 of Catalog

Product #	Unit	Iron Art Finishes				Custom Finish	Additional Information
		A	B	C	D		
251	FOOT	49	64	69	75	87	Mounting Plates Included
251B	FOOT	59	76	84	90	104	Bent / Mounting Plates Included
252	FOOT	40	50	56	59	69	Order Brackets Separately
253	FOOT	32	41	45	48	57	Order Brackets Separately
254	FOOT	38	47	53	56	65	Order Brackets Separately
254B	FOOT	47	60	66	71	83	Bent / Order Brackets Separately
255	FOOT	40	50	56	59	69	Mounting Plates Included
256	FOOT	35	44	48	53	60	Mounting Plates Included
256B	FOOT	40	50	56	59	69	Bent / Mounting Plates Included
257	FOOT	45	57	63	67	78	Mounting Plates Included

## Burgundy Collection (Decorative Rods): Pages 34 & 35 of Catalog (continued)

Product #	Unit	Iron Art Finishes				Custom Finish	Additional Information
		A	B	C	D		
257B	FOOT	55	69	77	82	96	Bent / Mounting Plates Included
264R-S-RND	FOOT	39	48	54	57	67	Single Round Rod with Rnd Socket
264R-D-RND	FOOT	48	61	68	73	85	Double Round Rod with Rnd Socket
264R-S-HRND	FOOT	51	63	70	75	87	Single Hammered Rod with Rnd Socket
264R-D-HRND	FOOT	56	87	95	102	118	Double Hammered Rod with Rnd Socket
264S-S-SQ	FOOT	39	48	54	57	67	Single Square Rod with Square Socket
264S-D-SQ	FOOT	48	61	68	73	85	Double Square Rod with Square Socket
264V-S-RND	FOOT	39	48	54	57	67	Single Round Rod with Vertical Socket
264V-D-RND	FOOT	48	61	68	73	85	Double Round Rod with Vertical Socket
264V-S-HRND	FOOT	51	63	70	75	87	Single Hammered Rod with Rnd Socket
264V-D-HRND	FOOT	56	87	95	102	118	Double Hammered Rod with Rnd Socket
264V-S-SQ	FOOT	39	48	54	57	67	Single Square Rod with Vertical Socket
264V-D-SQ	FOOT	48	61	68	73	85	Double Square Rod with Vertical Socket
280	EACH	471	602	660	708	824	Mounting Plates Included
281	EACH	385	490	539	576	673	Mounting Plates Included
282	EACH	360	459	503	540	630	Mounting Plates Included
283	EACH	298	379	417	446	521	Mounting Plates Included
284	FOOT	53	66	74	78	91	Order Center Support Brackets Separately
285	FOOT	53	66	74	78	91	Order Center Support Brackets Separately
286	EACH	28	28	28	28	28	Bend Charge for #252, #253, & #255

*3/4" to 2" Round Hollow Rods included in the price for Products #264, #264D, #280, #281, #282, #283, #284, and #285. Order rings separately. Rods with Returns #264 and #264D may also use Square Hollow Rods included in the price. See note below.*



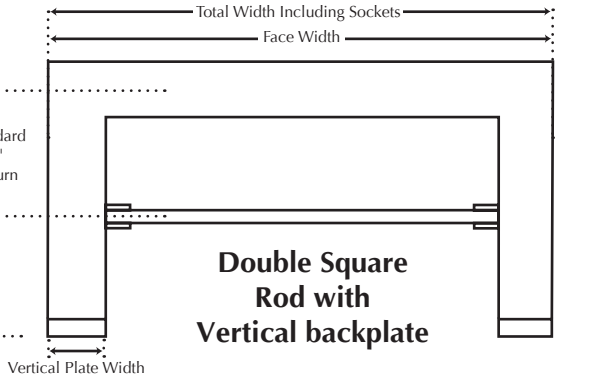
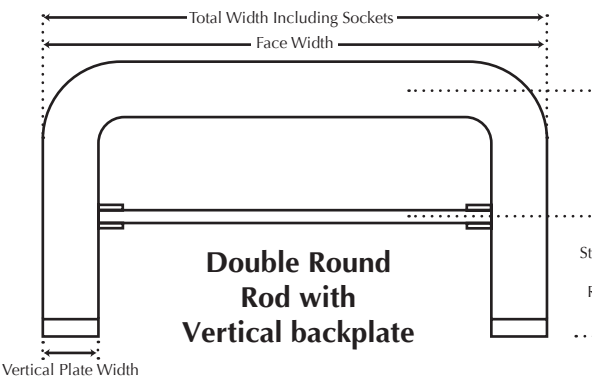
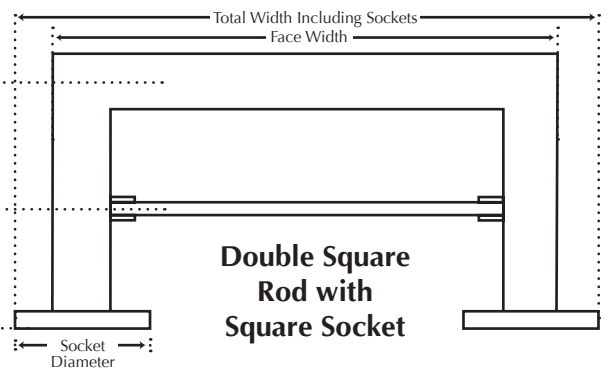
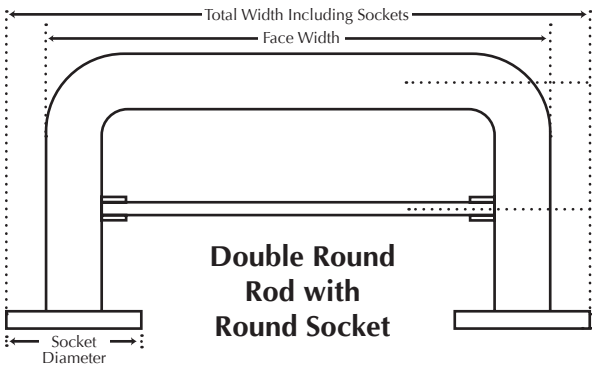
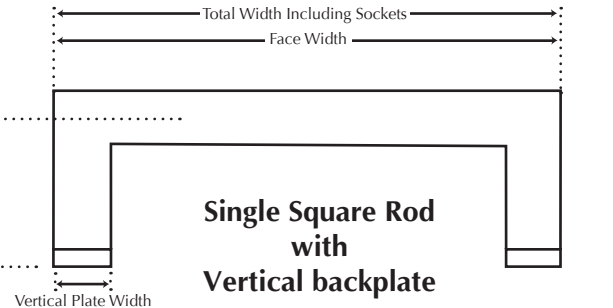
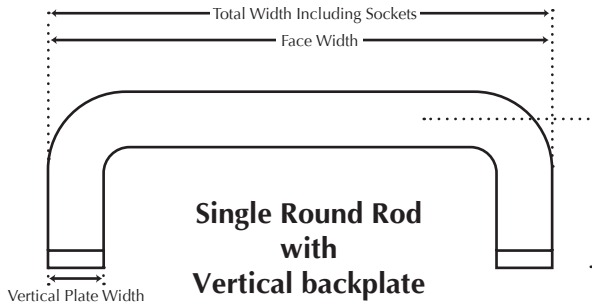
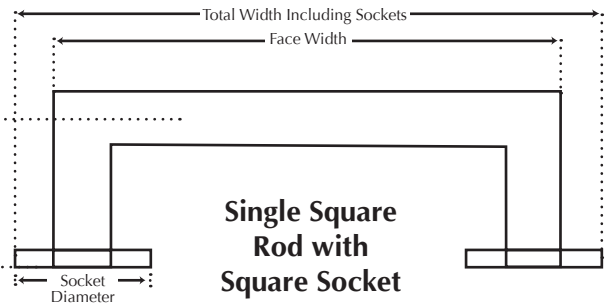
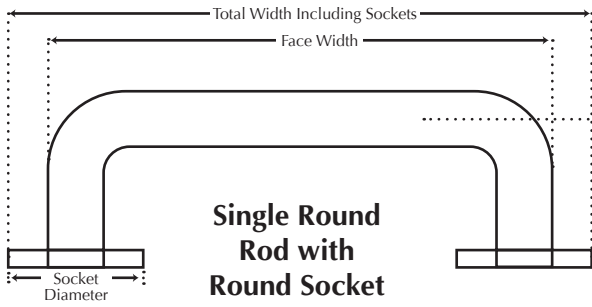
Widths given for Rods with Returns (#264, #264D & #7007) will include sockets. If you prefer to give the Face Width, please be sure to specify this is the dimension you are providing in your order. If using vertical plates instead, the plates are the width of the rod diameter. Socket diameter will vary as per rod size.

Standard returns are 3" and 6". If not specified, 3" will be provided. Other return sizes are available upon request.

Rods with Returns for Square Hollow Rods, and are mitered and welded to form corners.

Round, Square, Single Vertical Sockets are screwed in (not welded) on each return

Rod Diameter	Socket Diameter	Plate Height
Up to 1"	2"	3"
1 1/4"	2 1/4"	3 1/2"
1 1/2"	2 1/2"	3 1/2"
2"	3"	4"



## Mediterranean Collection: Ordering Information

1. Product includes mounting plates with three options. Please specify mounting plate selection in the order.
  - a. Wall Mounting Plate, with 3" to 5" expandable projection.
  - b. Wood Duster Mounting Plate.
  - c. Flush Mount against the wall.
2. To reduce the weight of the product, the Mediterranean Collection is fabricated in aluminum.

## Mediterranean Collection (Decorative Crowns): Page 36 of Catalog

Product #	Unit	Iron Art Finishes				Custom Finish	Additional Information
		A	B	C	D		
4001	EACH	213	272	299	320	374	Servena
4002	EACH	171	218	239	257	300	Castilla
4003	EACH	167	212	233	250	292	Camilla
4004	EACH	116	148	162	173	203	Sofia
4005	EACH	173	222	244	260	303	Mallorca
4006	EACH	179	227	250	268	312	Valencia
4007	EACH	127	163	179	191	223	Minerva
4008	EACH	192	245	269	289	336	Isabelle
4009	EACH	211	269	295	316	369	Asha
4010	EACH	211	269	295	316	369	Seville
4011	EACH	211	269	295	316	369	Morning Glory

## Vienna Collection: Ordering Information

1. Please specify measurements from tip to tip.
2. 3" or 6" projection mounting plates and 5 equally space knobs are included. Please specify projection in your order. For additional knobs, please add Product #313 to the order.
3. Please specify left or right orientation of the decorative scroll if applicable.
4. Please refer to minimum and maximum lengths as specified.

## Vienna Collection (Decorative Scrolls): Page 36 of Catalog

Product #	Unit	Iron Art Finishes				Custom Finish	Additional Information
		A	B	C	D		
250	FOOT	231	295	323	347	404	Min. Length: 16" / Specify Left or Right
266	FOOT	173	221	243	260	303	Min. Length: 17" / Max. Length: 48" Specify Left or Right
267	FOOT	254	324	356	381	445	Min. Length: 27" / Max. Length: 48" Specify Left or Right
268	FOOT	266	339	372	399	465	Min. Length: 16" / Specify Left or Right
269	FOOT	266	339	372	399	465	Min. Length: 16" / Specify Left or Right
270	FOOT	277	354	389	416	485	Minimum Length: 16"
313	EACH	7	9	11	12	15	Additional Knob

## Renaissance Collection: Ordering Information

1. Pricing for this product is by the panel. Please specify mounting plate selection in the order.
2. Product is shipped as unconnected panels. Connectors are provided for assembly.
3. Product includes mounting plates with three options:
  - a. Wall Mounting Plate, with 3" to 5" expandable projection.
  - b. Wood Duster Mounting Plate.
  - c. Flush Mount (**Connectors are not provided. Simply push the panels together upon installation.**)
4. Decorative cornices can be customized in length by cutting panels. Please add the Product #9131 charge to the order. Any cut panel is charged as a full panel.
  - a. We will not be liable for any design considerations when customizing decorative cornices.  
If the location of the cut on the panel is vital, please provide a drawing for our production staff to follow.
5. All styles are available with returns and mounting plates. Add Product #9130 with the order.  
Minimum projection available is 3"; maximum projection available is 6". Specify projection when ordering.
6. To reduce the weight of the product, the Renaissance Collection is fabricated in aluminum.

## Renaissance Collection: Page 37 of Catalog










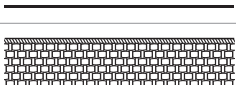


Product #	Unit	Iron Art Finishes				Custom Finish	Additional Information
		A	B	C	D		
9125	PANEL	111	140	156	173	201	Cathedral / Panel Length: 26½"
9126	PANEL	99	124	139	153	179	Pontalba / Panel Length: 25¼"
9127	PANEL	99	124	139	153	179	New Orleans / Panel Length: 27½"
9128	PANEL	117	146	163	181	210	Gothic / Panel Length: 27¾"
9129	PANEL	117	146	163	181	210	Florence / Panel Length: 27¼"
9130	PANEL	74	92	103	114	132	Return with Mounting Plate
9131	PANEL	38	38	38	38	38	Cutting Charge

## Tuscany Collection: Ordering Information

CORNICES HAVE A NO RETURN POLICY AND CAN NOT BE RETURNED FOR CREDIT.

1. Cornice pricing is per foot; please include returns when calculating length.
2. Cornices are available with or without a wood duster. Listed prices are without a wood duster.
3. The standard wood duster is available as Product #8046 with projections of 3½", 5½", and 7½" only. Please specify the projection in your order.
4. A custom wood duster is available as Product #8047 in any projection up to 12". Please specify the projection in your order.
5. Cornices without a wood duster are available in any projection up to 12".
6. Cornices include "L" brackets spaced approximately 48" apart at no additional cost.
7. Cornices are manufactured as one piece, and cannot be spliced. Maximum length for FedEx shipment is 102". All lengths over 102" must be shipped by common carrier (truck line). Please note residential truck deliveries are restricted to 24' (288").
8. Cornices are available for bay windows. Please add Product #8044/#8044CV as the bending/curve charge for single cornices, and Product #8045/#8045CV as the bending/curve charge for double cornices.
9. Cornice heights can be fabricated: Narrow (27/8"-37/8") - up to triple height; Medium (4"-5½") - double height. Design #8025 is available only as single height.
10. Cornices are compatible with an iron rod set, cord/manual traversing, or Somfy Motorization. Rods and tracks are finished to match the cornice. The minimum projection when ordering is 5½". Please specify the projection in your order. Also, please specify cord length, cord placement (left or right), and draw (left stack, right stack, or center open) as applicable.

## Tuscany Collection: Pages 38-41 of Catalog

Product #	Unit	Iron Art Finishes				Custom Finish	Additional Information	Sample Pattern
		A	B	C	D			
8021	FOOT	66	84	92	99	116	Acanthus / Single / Height: 3½"	
8022	FOOT	80	102	112	120	140	Acanthus / Double / Height: 7"	
8023	FOOT	66	84	92	99	116	Tulip / Single / Height: 3½"	
8024	FOOT	80	102	112	120	140	Tulip / Double / Height: 7"	
8025	FOOT	67	85	94	100	117	Hammered / Single / Height: 8"	
8026	FOOT	58	74	81	87	101	Baroque / Single / Height: 3¾"	
8027	FOOT	77	98	108	116	135	Baroque / Double / Height: 6¾"	
8028	FOOT	58	74	81	87	101	Embossed / Single / Height: 27/8"	
8029	FOOT	77	98	108	116	135	Embossed / Double / Height: 5¾"	
8030	FOOT	61	77	85	91	106	Bud Branch / Single / Height: 3½"	
8031	FOOT	80	102	112	120	140	Bud Branch / Double / Height: 7"	
8032	FOOT	61	77	85	91	106	Spanish Scroll / Single / Height: 3½"	
8033	FOOT	80	102	112	120	140	Spanish Scroll / Double / Height: 7"	
8034	FOOT	61	77	85	91	106	Spring Leaf / Single / Height: 3¾"	
8035	FOOT	80	102	112	120	140	Spring Leaf / Double / Height: 7½"	
8036	FOOT	58	74	81	87	101	Sea Shore/ Single / Height: 3¾"	
8037	FOOT	68	86	95	102	119	Basket Weave / Single / Height: 5½"	

## Tuscany Collection: Pages 38-41 of Catalog (continued)

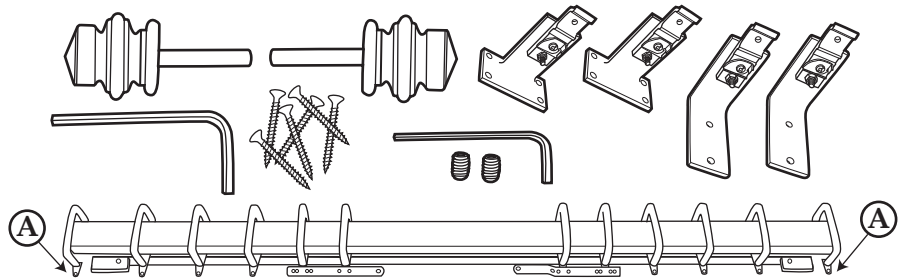
Product #	Unit	Iron Art Finishes				Custom Finish	Additional Information	Sample Pattern
		A	B	C	D			
8055	FOOT	58	74	81	87	101	Infinite Geometry / Single / Height: 3 <sup>5</sup> / <sub>8</sub> "	
8056	FOOT	72	91	100	107	125	Infinite Geometry / Double / Height: 7 <sup>1</sup> / <sub>4</sub> "	
8057	FOOT	63	80	88	94	110	Classic / Single / Height: 3 <sup>1</sup> / <sub>2</sub> "	
8058	FOOT	77	98	108	116	135	Classic / Double / Height: 7"	
8059	FOOT	58	74	81	87	101	Royal Road / Single / Height: 3 <sup>1</sup> / <sub>2</sub> "	
8060	FOOT	72	91	100	107	125	Royal Road / Double / Height: 7"	
8061	FOOT	61	77	85	91	106	Bamboo Delight / Single / Height: 4 <sup>1</sup> / <sub>8</sub> "	
8062	FOOT	80	102	112	120	140	Bamboo Delight / Double / Height: 8 <sup>1</sup> / <sub>4</sub> "	
8063	FOOT	61	77	85	91	106	Sunbursts / Single / Height: 4 <sup>1</sup> / <sub>8</sub> "	
8064	FOOT	80	102	112	120	140	Sunbursts / Double / Height: 8 <sup>1</sup> / <sub>4</sub> "	
8065	FOOT	61	77	85	91	106	Metal Weave / Single / Height: 4 <sup>1</sup> / <sub>8</sub> "	
8066	FOOT	80	102	112	120	140	Metal Weave / Double / Height: 8 <sup>1</sup> / <sub>4</sub> "	
8067	FOOT	61	77	85	91	106	Olive Branches / Single / Height: 4 <sup>3</sup> / <sub>8</sub> "	
8068	FOOT	80	102	112	120	140	Olive Branches / Double / Height: 8 <sup>3</sup> / <sub>4</sub> "	
8069	FOOT	61	77	85	91	106	Emblem / Single / Height: 4 <sup>1</sup> / <sub>4</sub> "	
8070	FOOT	80	102	112	120	140	Emblem / Double / Height: 8 <sup>1</sup> / <sub>4</sub> "	
8071	FOOT	61	77	85	91	106	Swirls / Single / Height: 4 <sup>1</sup> / <sub>8</sub> "	
8072	FOOT	80	102	112	120	140	Swirls / Double / Height: 8 <sup>1</sup> / <sub>4</sub> "	
8073	FOOT	61	77	85	91	106	Windblown / Single / Height: 4"	
8074	FOOT	80	102	112	120	140	Windblown / Double / Height: 8"	
8075	FOOT	66	84	92	99	116	Pyramids / Single / Height: 6"	
8077	FOOT	72	91	100	107	125	Lattice Weave / Single / Height: 6 <sup>1</sup> / <sub>8</sub> "	
8079	FOOT	66	84	92	99	116	Mosaics / Single / Height: 6"	
8044	EACH	30	30	30	30	30	Bend Charge / Single Cornice	
8045	EACH	42	42	42	42	42	Bend Charge / Double Cornice	
8044CV	FOOT	24	24	24	24	24	Curve Charge / Single Cornice	
8045CV	FOOT	32	32	32	32	32	Curve Charge / Double Cornice	
8046	FOOT	14	18	19	21	24	Standard Wood Duster	
8047	FOOT	28	35	39	42	49	Custom Wood Duster	

# DESIGNERS' CHOICE TRAVERSING RODS

## Installation Guide

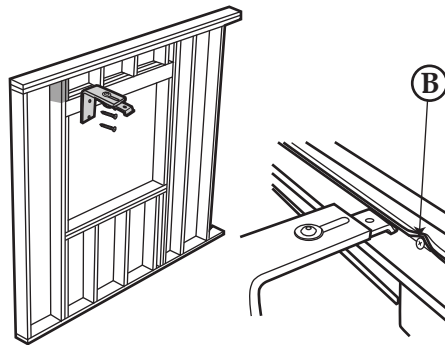
1. Unwrap and check all parts.  
Parts will vary by order.

When ordering with rings, two stationary rings (A) are placed on each end for center open systems, one ring is placed on the stack side for one-way draw systems.

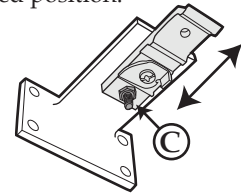


2. Designers' Choice hardware should be installed in wall studs where possible. We suggest using a density analyzer to determine stud locations.

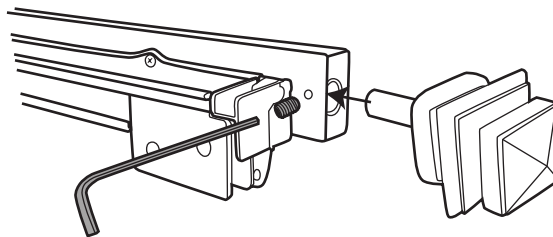
- (a) If installing in wall without stud, use heavy duty hollow wall anchors (e.g., Hillman #370012) or toggle bolts. We recommend ordering extra center supports when hollow wall anchors are being used.
- (b) Make sure support brackets do not line up with fascia screws (B).
- (c) Use level to make sure all brackets are on the same horizontal plane.



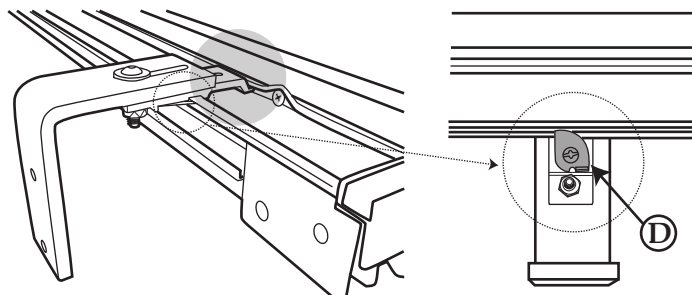
3. Adjust projection of bracket clip by loosening the screw nut (C). Adjust bracket projection as needed. Retighten the screw nut to hold the clip in desired position.



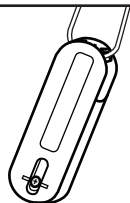
4. Install the finial in pre-drilled hole in rod. Use enclosed wrench to tighten finial screw.



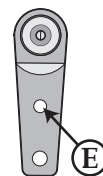
5. Clip traversing track onto the brackets on the wall; make sure track is securely in brackets. Turn the bracket clip (D) to lock the bracket with the track.



6. Test the cord to assure that rod draws smoothly. Install the floor tension pulley for the cord.



7. If installing without rings, please hang drapery from the top hole of the glide (E).



We recommend using a professional installer. While installation hardware is included, it may not be appropriate for your specific wall material or individual installation. Company will not assume any responsibility for damages incurred by inadequately supported or improperly mounted hardware.

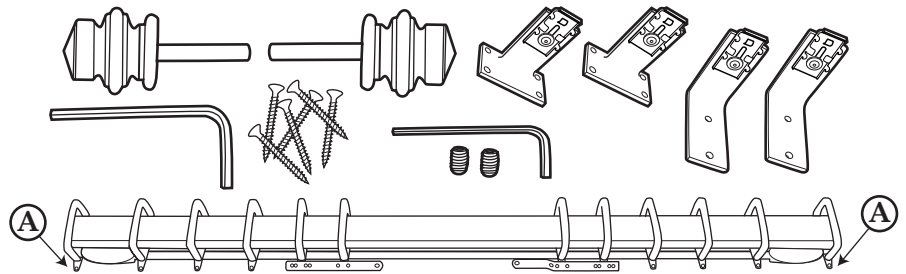


# TRAVERSING WITH SOMFY

## Installation Guide

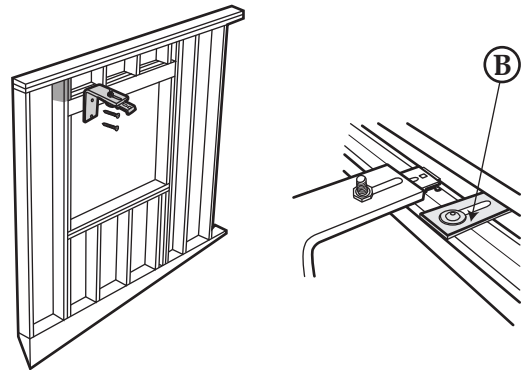
1. Unwrap and check all parts.  
Parts will vary by order.

When ordering with rings, two stationary rings (A) are placed on each end for center open systems, one ring is placed on the stack side for one-way draw systems.

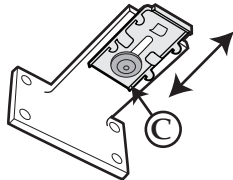


2. Traversing with Somfy hardware should be installed in wall studs where possible. We suggest using a density analyzer to determine stud locations.

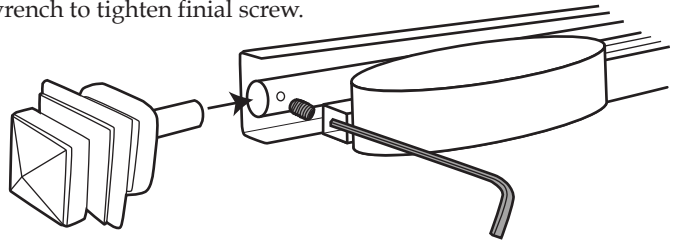
- (a) If installing in wall without stud, use heavy duty hollow wall anchors (e.g., Hillman #370012) or toggle bolts. We recommend ordering extra center supports when hollow wall anchors are being used.
- (b) Make sure support brackets do not line up with fascia attachments (B).
- (c) Use level to make sure all brackets are on the same horizontal plane.



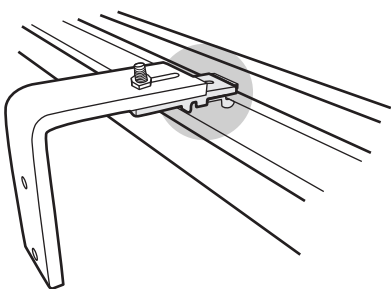
3. Adjust projection of bracket clip by loosening the screw nut (C). Adjust bracket projection as needed. Retighten the screw nut to hold the clip in desired position.



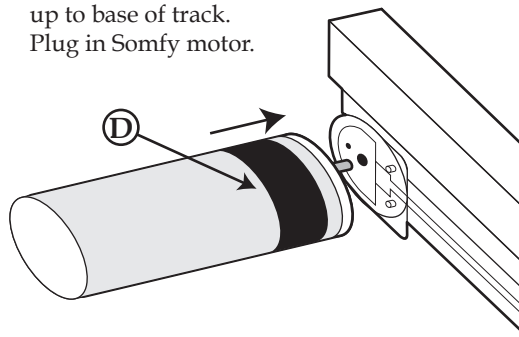
4. Install the finial in pre-drilled hole in rod. Use enclosed wrench to tighten finial screw.



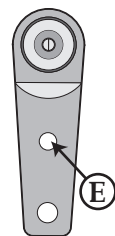
5. Clip traversing track onto the brackets on the wall; make sure track is securely in brackets.



6. Install Somfy motor. Slide finished sleeve (D) up to base of track. Plug in Somfy motor.



7. If installing without rings, please hang drapery from the top hole of the glide (E).



We recommend using a professional installer. While installation hardware is included, it may not be appropriate for your specific wall material or individual installation. Company will not assume any responsibility for damages incurred by inadequately supported or improperly mounted hardware.

# Traversing Track Finish Guide

## Iron Art Finishes

Group	Finish Name	Code	Track Finish
A	Black	14	Black
A	Brown	19	Black
A	Light Brown	09	Antique Bronze
B	Antique Bronze	02	Antique Bronze
B	Antique Copper	10	Black
B	Antique Gold	06	Antique Bronze
B	Antique White	20	White
B	Bronze Vecchio	15	Black
B	Burnt Silver	17	Silver
B	Ivory	32	White
B	Metal Ore	35	Black
B	Naturelle	03	Black
B	New Nickel	12	Silver
B	Oil Rubbed Bronze	34	Antique Bronze
B	Old Black	01	Black
B	Pure White	33	White
B	Rich Gold	07	Gold
B	Rusty	04	Black
B	Soft Pewter	13	Black
C	Bronze Patina	26	Antique Bronze
C	Burnt Gold	25	Antique Bronze
C	Cherry Gold	27	Antique Bronze
C	Gold Antique White	16	Antique Bronze
C	Golden Oak	29	Gold
C	Renaissance Silver	18	Black
C	Sage Gold	24	Gold
C	Vecchio Patina	28	Antique Bronze
C	Versace	11	Silver
D	Antique Crackle	22	White
D	Autumn	05	Gold
D	Crackle	21	White
D	Imposter	08	Gold
D	Mocha Mix	23	White
D	Sugar Maple	31	Antique Bronze
D	Warm Cherry	30	Gold

Our manual and motorized traversing collections include Deco Lite Traversing, Designers' Choice Traversing, Traversing with Somfy Motorization, Tuscany Cornice, and Tuscany Traversing.

## Track Colors

Manual and motorized traversing tracks are available in five colors: Antique Bronze, Black, Gold, Silver, & White. These charts show the default track finish per color. If you'd like a different track finish, please specify it in your order.

## Glides and Return Hooks

### Pinch Pleat With Rings

Color coordinating Pinch Pleat glides are available for systems *with* rings. Color coordinating return hooks are available for manual traversing systems. Motorized system return hooks are white. No curve trav. track available w/ rings.

### Pinch Pleat Without Rings

All Pinch Pleat glides *without* rings are white. Return hooks for these systems are white. All curve trav. tracks are only available w/o rings and glides are white.

### RippleFold

All RippleFold glides and return hooks are white.

## Italian Finishes

Group	Finish Name	Code	Track Finish
I	Brushed Nickel	IT201	Silver
J	Polished Chrome	IT206	Silver
K	Black Nickel	IT202	Black
K	Oiled Bronze	IT203	Black
K	Satin Copper	IT204	Gold
K	Satin Gold	IT205	Gold

## Wood Art Finishes

Group	Finish Name	Code	Track Finish
E	Light Cherry	WC101	Black
E	Natural	WC102	Gold
E	Mahogany	WC103	Black
E	White Wash	WC104	White
E	Dusk Black	WC105	Black
E	Walnut	WC106	Black
F	White Distress	WC107	White
F	Aged Pewter	WC108	Black
F	Imitation Gold Leaf	WC109	Gold
F	Golden Teak	WC110	Gold
F	Sun Oak	WC111	Gold

# Design Art Traversing Track Finish Guide

## Track Colors

Manual and motorized traversing tracks are available in five colors: Antique Bronze, Black, Gold, Silver, & White. These charts show the default track finish per color. If you'd like a different track finish, please specify it in your order.

## Glides and Return Hooks

### Pinch Pleat With Rings

Color coordinating Pinch Pleat glides are available for systems *with* rings.

Color coordinating return hooks are available for manual traversing systems. Motorized system return hooks are white.

### Pinch Pleat Without Rings

All Pinch Pleat glides *without* rings are white. Return hooks for these systems are white.

### RippleFold

All RippleFold glides and return hooks are white.

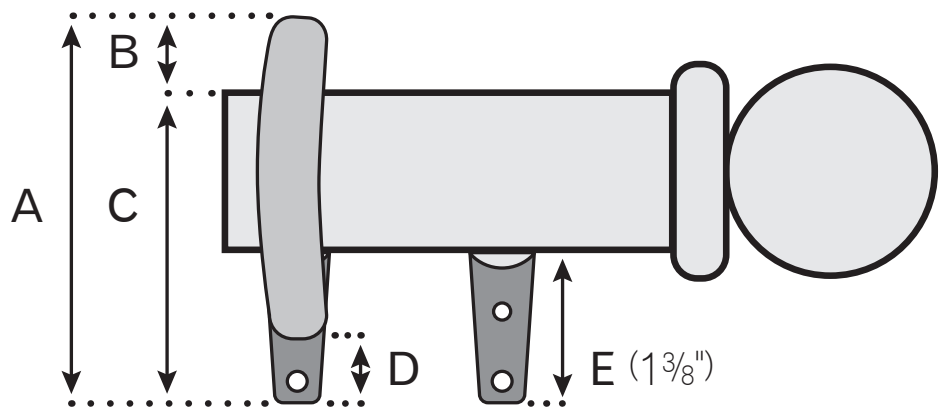
Décor Finishes - A	Code	Track Finish
Antique Bronze	DP902A	Antique Bronze
Antique Copper	DP910A	Black
Antique Gold	DP906A	Antique Bronze
Black-Glossy	DP937A	Black
Black-Satin	DP914A	Black
Bronze Pewter	DP909A	Antique Bronze
Bronze Vecchio	DP915A	Antique Bronze
Brown	DP919A	Black
Burnt Gold	DP925A	Antique Bronze
Cast Iron	DP912A	Antique Bronze
Copper Glimmer	DP918A	Antique Bronze
Copper Penny	DP961A	Antique Bronze
English Bronze	DP922A	Antique Bronze
Frosty Morn	DP924A	Silver
Hammered Silver	DP929A	Silver
Naturelle	DP903A	Black
Old Black	DP901A	Black
Old Rust	DP955A	Antique Bronze
Pure White-Glossy	DP936A	White
Pure White-Satin	DP933A	White
Royal Red	DP942A	Gold
Rusty	DP904A	Black
Silver Shimmer	DP947A	Silver
Soft Pewter	DP913A	Black
Steel	DP949A	Antique Bronze
Superior Bronze	DP950A	Antique Bronze
Urbane Bronze	DP951A	Antique Bronze
White Dove	DP954A	White

Décor Finishes - B	Code	Track Finish
Aged Brass	DP956B	Antique Bronze
Aged Chestnut	DP905B	Antique Bronze
Black Embers	DP908B	Black
Champagne	DP948B	Gold
Chateau	DP916B	Antique Bronze
Cherrywood	DP917B	Black
Clouds	DP911B	White
Creamy	DP920B	White
Ebony	DP921B	Black
French Nobility	DP923B	White
Gold Leaf-Antiqued	DP941B	Gold
Gold Leaf-Burnished	DP926B	Gold
Gold Leaf-Polished	DP927B	Gold
Gold Leaf-Traditional	DP928B	Gold
Hickory	DP930B	Gold
Italian Gold	DP931B	Gold
Italian Walnut	DP932B	Gold
Liquid Gold Leaf	DP963B	Gold
Mahogany	DP943B	Black
Monarch	DP960B	Silver
Paris Rain	DP962B	Silver
Precious Metals	DP939B	Gold
Queensland Walnut	DP940B	Black
Rich Gold	DP907B	Gold
Sage	DP946B	Silver
Silver Leaf-Burnished	DP944B	Silver
Silver Leaf-Polished	DP945B	Silver
Vintage Gold	DP952B	Gold
Weathered Iron	DP953B	Antique Bronze
Zinc	DP957B	Antique Bronze

## Pinch Pleat Glide Measurements

For all manual traversing, and motorized traversing with rings.

- A. Distance from top of ring to bottom of glide.
- B. Distance from top of ring to rod.
- C. Distance from top of rod to bottom of glide.
- D. Distance from bottom of ring to bottom of glide.
- E. Distance from bottom of rod to bottom of glide.  
(Same for all: 1 3/8")

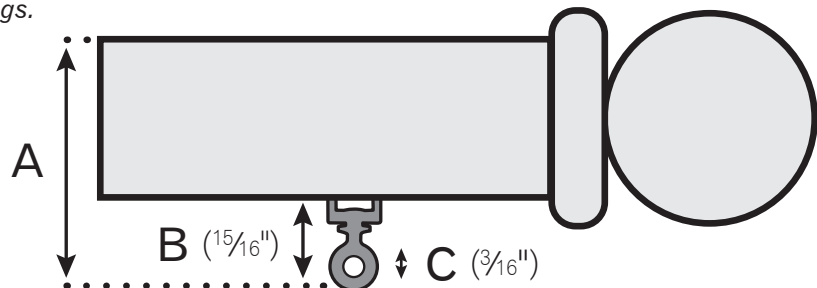


Traversing in Iron / Italian		Traversing in Wood	Tuscany Traversing
<b>Round Rings:</b>	<b>Square Rings:</b>	<b>Round Rings:</b>	<b>Round Rings:</b>
<b>1 1/2" Diameter Rods</b>	<b>1 1/2" Diameter Rods</b>	<b>2" Diameter Poles</b>	<b>3" Diameter Rods</b>
A. 4 1/8"	A. 3 7/8"	A. 4"	A. 5 5/8"
B. 1 1/4"	B. 1"	B. 3/4"	B. 1 1/4"
C. 2 7/8"	C. 2 7/8"	C. 3 1/4"	C. 4 3/8"
D. 1/2"	D. 1/2"	D. 3/8"	D. 1/2"
<b>2" Diameter Rods</b>	<b>2" Diameter Rods</b>	<b>2 1/4" Diameter Poles</b>	
A. 4 5/8"	A. 4 1/2"	A. 4 1/4"	
B. 1 1/4"	B. 1 1/8"	B. 7/8"	
C. 3 3/8"	C. 3 3/8"	C. 3 3/8"	
D. 1/2"	D. 1/2"	D. 3/8"	
<b>3" Diameter Rods</b>		<b>3" Diameter Poles</b>	
A. 5 5/8"		A. 5 5/8"	
B. 1 1/4"		B. 1"	
C. 4 3/8"		C. 4 3/8"	
D. 1/2"		D. 3/8"	

## Somfy Pinch Pleat Glide Measurements

For motorized traversing systems without rings.

- A. Distance from top of rod to bottom of glide.
- B. Distance from bottom of rod to bottom of glide: 15/16"
- C. Inner diameter of RippleFold carrier: 3/16"



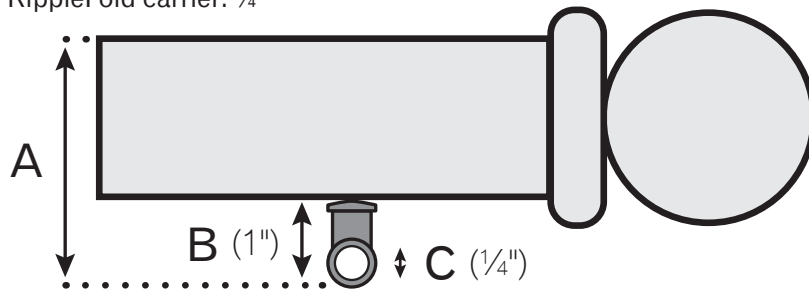
### (A) Measurement per Rod or Pole Diameter

	1 1/2" Diameter	2" Diameter	2 1/4" Diameter	3" Diameter
Traversing in Iron / Italian	27/16"	2 15/16"	N/A	3 15/16"
Traversing in Wood	N/A	2 15/16"	3 3/16"	3 15/16"
Tuscany Traversing	N/A	N/A	N/A	3 15/16"

## RippleFold Glide Measurements

For manual and motorized systems without rings.

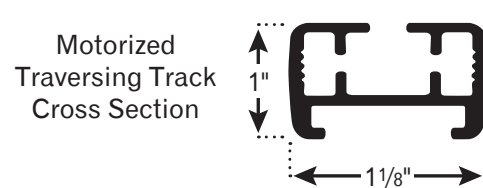
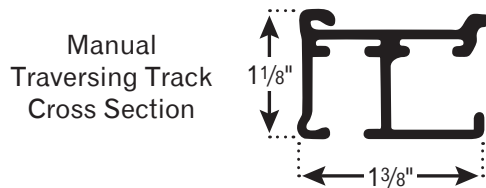
- A. Distance from top of rod to bottom of glide.
- B. Distance from bottom of rod to bottom of glide: 1"
- C. Inner diameter of RippleFold carrier: 1/4"



### (A) Measurement per Rod or Pole Diameter

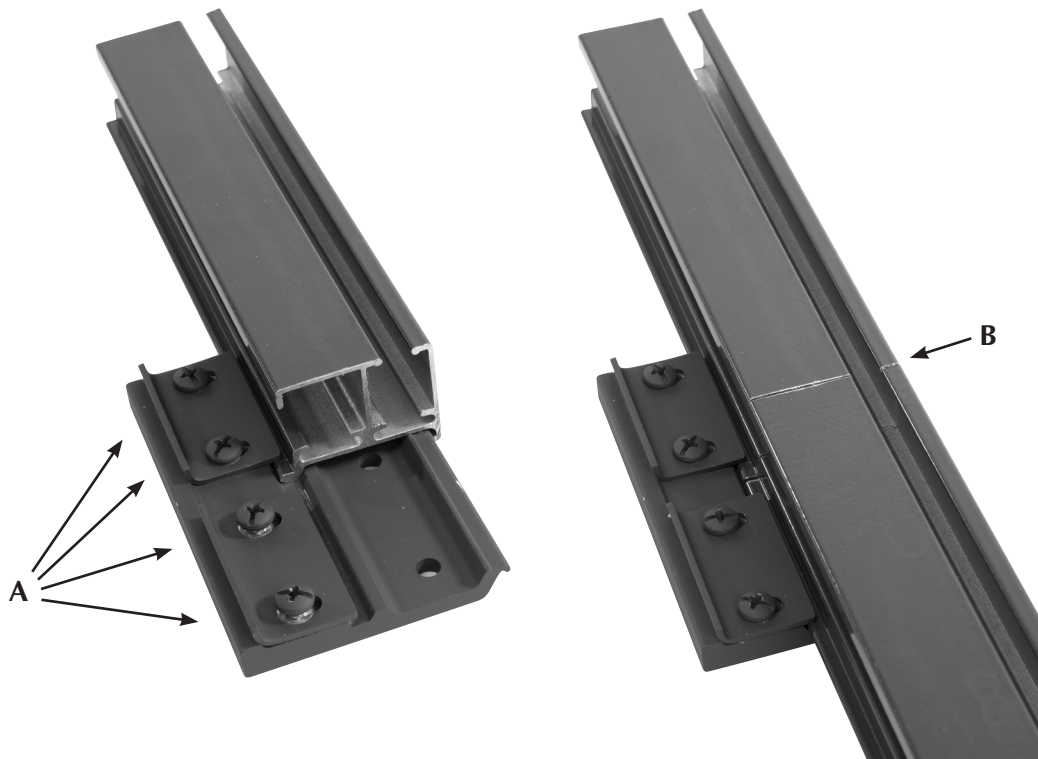
	1½" Diameter	2" Diameter	2¼" Diameter	3" Diameter
Traversing in Iron / Italian	2½"	3"	N/A	4"
Traversing in Wood	N/A	3"	3¼"	4"
Tuscany Traversing	N/A	N/A	N/A	4"

### Manual and Motorized Traversing Track Measurements:

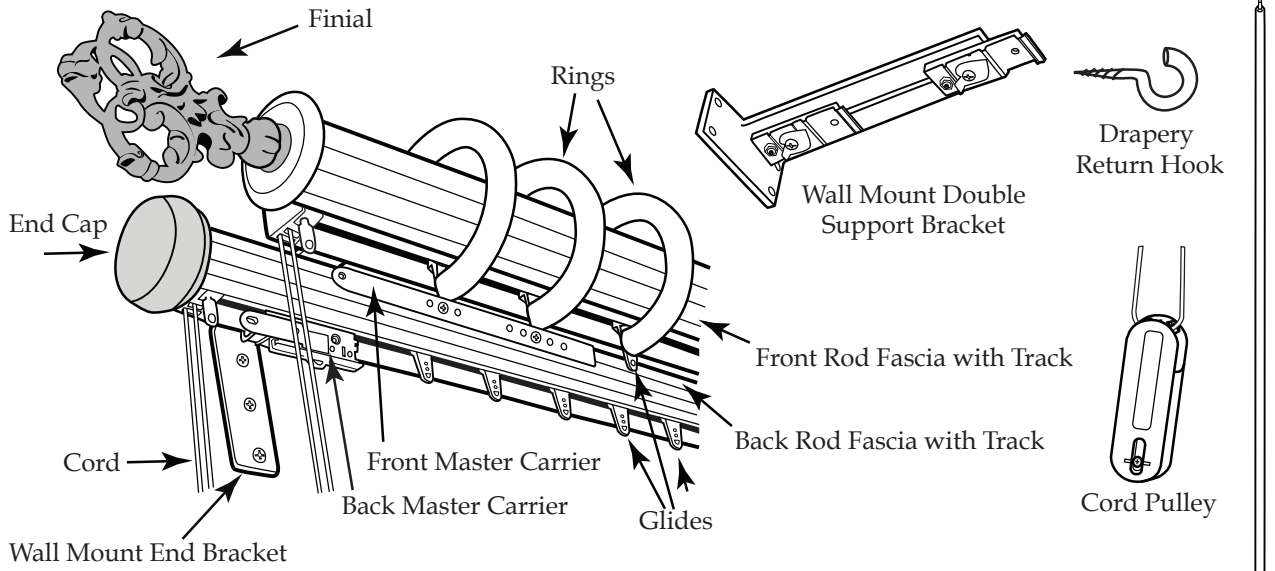


## Manual Traversing Splice Plate

- A. Untighten all four screws on the splice plate to allow the top of each track to slide under a locking plate. Tracks are shown upside down. The splice plate will be on top of the tracks once installed.
- B. Connect tracks together in the center of the plate. Do not leave any space between the tracks. Retighten splice plate screws.

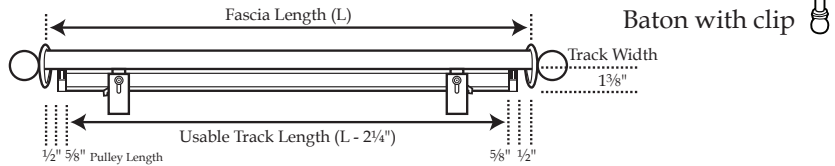


# DESIGNERS' CHOICE TRAVERSING RODS



## MEASUREMENT GUIDELINES

- Please specify fascia length when ordering.
- Usable Track length will be 2 1/4" shorter than fascia length. (L - 2 1/4")



## Iron, Italian, and Wood Traversing Systems

*Traversing Systems designed to meet all of the custom needs of interior designers.*

- Single or Double Systems in Iron, Italian or Wood Fascia Styles.
- Up to 30 Feet in Length.
- Heavy Duty Track and Accessories Automatically Included.
- End and Support Brackets in Iron Customized for Heavy Duty Applications.
- Wall Mount or Ceiling Mount Brackets with Expandable Projections.
- Front Track with or without Rings.
- Back Rod Fascia Automatically Includes End Caps (Finished).
- Cord Draw or Baton Draw.
- Pinch Pleat or RippleFold.
- Miter Return Available.
- Five Finishes for Traversing Tracks: Antique Bronze, Black, Gold, Silver, and White.
- Track Color Coordinating Pinch Pleat Glides for Systems with Rings. Pinch Pleat Without Rings and RippleFold Glides are White.
- Rods May be Bent or Curved (Excludes Square and Wood Fascia Styles, and Systems with Rings).
- Heavy Duty Packaging.
- Shipped in 15 Business Days.

### Iron Rod Fascia Styles:

- 35 Iron Art™ Finishes for Rod Fascia, Finials, Rings, Brackets & End Caps (Back Rod Fascia Only).
- Rods and Diameters:  
Round: 1 1/2", 2", and 3"  
Round Hammered: 1 1/2", 2", and 3"  
Fluted: 1 1/2" and 2"  
Square: 1 1/2" and 2"
- Custom Finishes Available on Iron Fascia.
- Select Finials From the Entire Iron Finial and Village Forge Collections.
- Back Rod in Double Traverse System Comes with Iron Fascia 1 1/4" Diameter to Match Front Rod Style.

### Italian Collection Iron Fascia Styles:

- 6 Italian Collection Finishes for Rod Fascia, Finials, Rings, Brackets & End Caps (Back Rod Fascia Only).
- Rods and Diameters:  
Round: 1 1/2" and 2"  
Square: 1 1/2" and 2"
- Select Finials from Italian and Bohemia Collections.
- Back Rod in Double Traverse System Comes with Iron Fascia 1 1/4" Diameter to Match Front Rod Style.

### Wood Rod Fascia Styles:

- 11 Wood Art™ Finishes for Rod Fascia, Finials, Rings, Brackets & End Caps (Back Rod Fascia Only).
- Rods and Diameters:  
Round: 2", 2 1/4", and 3"  
Fluted: 2", 2 1/4", and 3"
- Custom Finishes Available on Wood Fascia.
- Select Finials from New York Wood, Rosina, Wood Craft, Bohemia, or Iron Collections.
- Back Rod in Double Traverse System Comes with Wood Fascia 1 3/8" Diameter to Match Front Rod Style.

## Designers' Choice Set Guide: Iron Bracket, Glide, and Ring Quantities

Product	Unit	QTY	Product	Unit	QTY	Product	Unit	QTY
<b>Iron End Brackets</b> Single Bracket Back Plate: H 3 1/4" W 1 1/2" Double Bracket Back Plate: H 4 1/2" W 1 1/2"	SET	2	<b>Rings (Front Rod Only)</b> Including Master Carriers <i>Rings are an additional cost</i>	FOOT	4	<b>Glides</b> Including Master Carrier	FOOT	4

## Designers' Choice Traversing Rods: Ordering Information

- Sets automatically include: rod fascia, heavy duty tracks, glides, master carriers\*, cords, and cord pulleys\*\*, drapery return hooks, two end brackets, support brackets as needed per length, and back rod end caps (for double rods only).
- Items sold separately: finials, rings (front rod with pinch pleat glides only), and batons.
- Set finishes: rods, brackets, return hooks, rings, master carriers, and batons are finished as per finish specified in order.
- Track finishes are available in Antique Bronze, Black, Gold, Silver, and White.
- Glides for pinch pleat systems with rings coordinate with the five track finishes. Pinch pleat glides for systems without rings and RippleFold glides are available in white. Pinch pleat glides are supplied four per foot.
- Please state fullness of 60%, 80%, 100%, or 120% when ordering RippleFold. Please specify Butt or Overlap Master Carrier.
- Traversing rods come with or without rings on front rods with pinch pleat glides only. Back rods and RippleFold glides do not accommodate rings. Two stationary rings are placed on each end for center open systems, one ring is placed on the stack side for one-way draw systems.
- If desired, you may specify a baton drawn system. **Batons are sold separately.** Please see page 25 for Iron Art™ batons and page 69 for Italian batons.
- Include cord length (standard is 8'), cord placement (left or right), and draw (left stack, right stack, or center open) in your order.
- Please specify wall or ceiling mount end brackets when ordering. Due to limited clearance, we recommend using end caps as finials with ceiling mount brackets. Please contact customer service for a list of other finials which may be used.
- Traversing set pricing is rounded up to the next foot.
- Maximum fabric weight for a 16' track is 62 lbs. for the heavy duty traverse track (automatically provided in each set).
- All heavy duty tracks, iron rods, and wood poles (all diameters) are available in 16' (192") lengths without a splice, and up to 30' (360") with a splice. Please contact customer service for the availability of 19' (228") lengths without a splice. Italian Collection iron rods are available in 10' (108") lengths without a splice, and up to 20' (216") with a splice.**
- We splice any center open traversing rod over 8'6" (102") to save on shipping charges using FedEx. (One-way draw is not spliced for FedEx.) Traversing systems not specified as one piece in the order will be spliced in the center, unless a splice location is otherwise noted. Anything specified as one piece and over these lengths is shipped by truck, and final shipping charges are given when the order is shipped. Please note residential truck deliveries are restricted to 24' (288").
- When ordering with miter returns, please add Product #IT307MR, #IC307MR, or #WT307MR. The width entered should be the track measurement. Returns are available as 3½", 4½", 6", and 7".
- Iron and Italian traversing rods can be bent or curved (excludes square fascia styles and systems with rings). Please see bend and curve charges on page 46.
- Custom finish: 25% additional charge. Please add a one time strike off charge (Product #IASTRIKE).

## Traversing Accessories: Page 49 of Catalog

Accessories & Charges	Product #	Unit	Price	Additional Information							
Additional Traversing Glides	TRGL	EACH	2.50	Specify Quantity in Order / Standard is Four per Foot							
Additional Traversing Pinch Pleat Glides	TRGLP	EACH	2.50	Specify Quantity in Order / Standard is Four per Foot							
Additional Traversing RippleFold Glides	TRGLR	EACH	2.50	Specify Quantity in Order & Fullness							
Additional Traversing Cord (white)	TRCR	FOOT	1.40	Specify Length in Order / Standard is Eight Feet							
Strike Off Charge (net)	IASTRIKE	EACH	43	One time strike off charge for custom finish							
"C" Ring Styles (Front Rod Only)	Product #	Unit	1½" Inner Diameter			2" Inner Diameter			2" & 2¼" Inner Diameter	3" Inner Diameter	
			Iron	Italian		Iron	Italian		Wood	Iron	Wood
				I, J, K	L		I, J, K	L			
Round Iron "C" Rings	IT/IC350TR	EACH	16	20	24	16	22	26	N/A	19	N/A
Square Iron "C" Rings	IT/IC352TR	EACH	16	18	22	16	20	24	N/A	N/A	N/A
Round Hammered Iron "C" Rings	IT356TR	EACH	18	N/A	N/A	18	N/A	N/A	N/A	19	N/A
Smooth Wood "C" Rings	WT5047TR	EACH	N/A	N/A	N/A	N/A	N/A	N/A	19	N/A	24
Fluted Wood "C" Rings	WT5049TR	EACH	N/A	N/A	N/A	N/A	N/A	N/A	19	N/A	24

\* Center open rods come with two master carriers, while one-way draw rods come with one. Front rod carriers each hold two rings.

\*\* Cord drawn traversing sets include cords and cord pulleys. Batons for baton drawn sets are sold separately.

## Traversing Accessories: Page 49 of Catalog (continued)

Miter with Return	Product #	Unit	Price	Additional Information
Designers' Choice: Iron	IT307MR	EACH	92	Available in 3½", 4½", 6", and 7"
Designers' Choice: Italian	IC307MR	EACH	97	Available in 3½", 4½", 6", and 7"
Designers' Choice: Wood	WT307MR	EACH	75	Available in 3½", 4½", 6", and 7"
Bend and Curve Charges	Product #	Unit	Price	Additional Information
Single Track Bend	ITBENDCRS	EACH	54	Bend Single Traversing Set - Fascia with Traversing Track
Double Track Bend	ITBENDCRD	EACH	108	Bend Double Traversing Set - Fascias with Traversing Tracks
Single Track Curve	ITBENDCVS	FOOT	38	Curve Single Traversing Set - Fascia with Traversing Track
Double Track Curve	ITBENDCVD	FOOT	65	Curve Double Traversing Set - Fascias with Traversing Tracks

See pages 50-51 for brackets.

## Single Traversing Sets: Pages 44 & 72 of Catalog

(Add Finials, Rings, Accessories, and Miscellaneous Charges Where Applicable)

Style	Set #	4 Feet	5 Feet	6 Feet	7 Feet	8 Feet	9 Feet	10 Feet	Additional Foot
Track Only	ITTRACK-S	272	302	347	401	454	506	559	53
<b>Designers' Choice: Iron</b>									
Round 1½" Dia.	ITRR-S-112	460	574	662	750	864	952	1041	145
Round 2" Dia.	ITRR-S-200	472	592	686	780	901	994	1089	152
Round 3" Dia.	ITRR-S-300	541	671	774	877	1007	1109	1213	160
Round Hammered 1½" Diameter	ITRH-S-112	481	602	696	789	911	1004	1098	152
Round Hammered 2" Diameter	ITRH-S-200	492	620	719	819	946	1046	1146	157
Round Hammered 3" Diameter	ITRH-S-300	562	702	814	926	1064	1176	1288	170
Fluted 1½" Dia.	ITFL-S-112	505	632	732	831	959	1058	1158	157
Fluted 2" Dia.	ITFL-S-200	517	650	756	862	994	1101	1206	163
Square 1½" Dia.	ITSQ-S-112	481	602	696	789	911	1004	1098	152
Square 2" Dia.	ITSQ-S-200	492	620	719	819	946	1046	1146	157
<b>Designers' Choice: Italian</b>									
Designers' Choice: Italian (Finish Group I, J, K)									
Round 1½" Dia.	ICRR-S-112	663	816	931	1045	1202	1330	1458	164
Round 2" Dia.	ICRR-S-200	692	859	986	1114	1272	1410	1549	175
Square 1½" Dia.	ICSQ-S-112	692	859	986	1114	1272	1410	1549	175
Square 2" Dia.	ICSQ-S-200	721	901	1042	1183	1342	1491	1642	187
Designers' Choice: Italian (Finish Group L)									
Round 1½" Dia.	ICRR-S-112	730	898	1024	1149	1322	1463	1604	181
Round 2" Dia.	ICRR-S-200	761	945	1085	1226	1399	1551	1704	192
Square 1½" Dia.	ICSQ-S-112	761	945	1085	1226	1399	1551	1704	192
Square 2" Dia.	ICSQ-S-200	793	991	1146	1301	1476	1640	1806	205
<b>Designers' Choice: Wood</b>									
Smooth 2" Dia.	WTRN-S-200	413	522	606	690	800	884	968	139
Smooth 2¼" Dia.	WTRN-S-214	413	522	606	690	800	884	968	139
Smooth 3" Dia.	WTRN-S-300	457	581	679	777	902	1000	1098	153



## Single Traversing Sets: Pages 44 & 72 of Catalog (continued)

(Add Finials, Rings, Accessories, and Miscellaneous Charges Where Applicable)

Style	Set #	4 Feet	5 Feet	6 Feet	7 Feet	8 Feet	9 Feet	10 Feet	Additional Foot
Fluted 2" Dia.	WTFL-S-200	413	522	606	690	800	884	968	139
Fluted 2¼" Dia.	WTFL-S-214	413	522	606	690	800	884	968	139
Fluted 3" Dia.	WTFL-S-300	471	596	693	791	916	1014	1113	153
<b>Number of Brackets Included:</b>		2	3	3	3	4	4	4	See Note*

\*Additional brackets will be included at 11', 14', 17', 20', 23', 26', and 29'. See page 51 for bracket specifications.

## Double Traversing Sets: Pages 45 & 73 of Catalog

(Add Finials, Rings, Accessories, and Miscellaneous Charges Where Applicable)

Style	Set #	4 Feet	5 Feet	6 Feet	7 Feet	8 Feet	9 Feet	10 Feet	Additional Foot
Track Only	ITTRACK-D	581	707	834	961	1089	1216	1343	127
<b>Designers' Choice: Iron</b>									
Round 1½" Dia.	ITRR-D-112	741	929	1077	1227	1415	1564	1712	225
Round 2" Dia.	ITRR-D-200	758	955	1110	1266	1462	1618	1774	232
Round 3" Dia.	ITRR-D-300	786	983	1142	1301	1496	1656	1815	230
Round Hammered 1½" Diameter	ITRH-D-112	765	958	1110	1263	1454	1607	1760	229
Round Hammered 2" Diameter	ITRH-D-200	780	979	1140	1299	1499	1658	1818	235
Round Hammered 3" Diameter	ITRH-D-300	806	1009	1175	1341	1544	1710	1876	238
Fluted 1½" Dia.	ITFL-D-112	717	893	1034	1176	1338	1489	1635	196
Fluted 2" Dia.	ITFL-D-200	725	901	1042	1183	1352	1493	1638	207
Square 1½" Dia.	ITSQ-D-112	637	799	926	1052	1213	1339	1466	190
Square 2" Dia.	ITSQ-D-200	650	816	949	1083	1249	1381	1515	197

### Designers' Choice: Italian

Designers' Choice: Italian (Finish Group I, J, K)

Round 1½" Dia.	ICRR-D-112	866	1091	1265	1439	1664	1838	2012	263
Round 2" Dia.	ICRR-D-200	902	1142	1331	1521	1761	1950	2140	278
Square 1½" Dia.	ICSQ-D-112	793	1013	1189	1365	1585	1760	1939	250
Square 2" Dia.	ICSQ-D-200	796	1022	1207	1393	1619	1805	1991	258

Designers' Choice: Italian (Finish Group L)

Round 1½" Dia.	ICRR-D-112	954	1201	1392	1583	1831	2022	2213	290
Round 2" Dia.	ICRR-D-200	992	1256	1464	1674	1937	2145	2354	306
Square 1½" Dia.	ICSQ-D-112	873	1114	1308	1502	1743	1936	2133	275
Square 2" Dia.	ICSQ-D-200	875	1124	1328	1533	1781	1986	2190	284

### Designers' Choice: Wood

Smooth 2" Dia.	WTRN-D-200	608	770	897	1022	1185	1310	1436	195
Smooth 2¼" Dia.	WTRN-D-214	608	770	897	1022	1185	1310	1436	195
Smooth 3" Dia.	WTRN-D-300	646	815	948	1083	1239	1382	1525	228
Fluted 2" Dia.	WTFL-D-200	608	770	897	1022	1185	1310	1436	195
Fluted 2¼" Dia.	WTFL-D-214	608	770	897	1022	1185	1310	1436	195
Fluted 3" Dia.	WTFL-D-300	646	815	948	1083	1239	1382	1525	228

<b>Number of Brackets Included:</b>		2	3	3	3	4	4	4	See Note*
-------------------------------------	--	---	---	---	---	---	---	---	-----------

\*Additional brackets will be included at 11', 14', 17', 20', 23', 26', and 29'. See page 51 for bracket specifications.

## Stationary Rod Front And Trav Fascia In Back

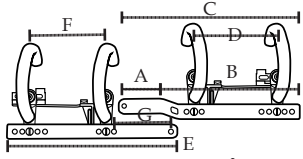
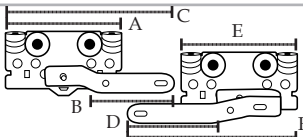
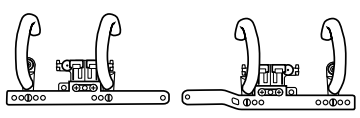
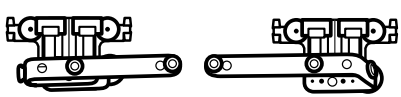
Includes 2 End Brackets and 2 End Caps for Back Traversing Fascia. Fascia will be 1¼"

Style	Set #	4 Feet	5 Feet	6 Feet	7 Feet	8 Feet	9 Feet	10 Feet	Additional Foot
<b>Designers' Choice: Iron</b>									
Round 1¼" Dia.	STA-ITRR-114	522	636	725	813	927	1015	1103	168
Round 1½" Dia.	STA-ITRR-112	526	640	728	816	930	1018	1106	171
Round 2" Dia.	STA-ITRR-200	544	664	759	852	973	1066	1161	184
Round 3" Dia.	STA-ITRR-300	624	754	856	959	1089	1172	1294	202
Round Hammered 1¼" Diameter	STA-ITRH-114	555	675	769	863	984	1077	1172	185
Round Hammered 1½" Diameter	STA-ITRH-112	558	678	773	866	987	1080	1175	188
Round Hammered 2" Diameter	STA-ITRH-200	576	704	803	903	1030	1130	1230	201
Round Hammered 3" Diameter	STA-ITRH-300	657	796	907	1019	1158	1271	1382	224
Square 1¼" Dia.	STA-ITSQ-114	543	664	758	851	973	1066	1160	174
Square 1½" Dia.	STA-ITSQ-112	546	668	761	855	976	1070	1163	177
Square 2" Dia.	STA-ITSQ-200	565	692	792	891	1018	1118	1218	189
<b>Designers' Choice: Italian</b>									
Designers' Choice: Italian (Finish Group I, J, K)									
Round 1¼" Dia.	STA-ICRR-114	761	915	1029	1143	1301	1428	1556	215
Round 1½" Dia.	STA-ICRR-112	790	944	1058	1173	1330	1458	1585	231
Round 2" Dia.	STA-ICRR-200	830	997	1123	1251	1409	1548	1687	247
Square 1¼" Dia.	STA-ICSQ-114	790	957	1085	1212	1370	1508	1647	227
Square 1½" Dia.	STA-ICSQ-112	820	987	1114	1241	1400	1538	1677	247
Square 2" Dia.	STA-ICSQ-200	859	1038	1179	1319	1479	1629	1778	258
Designers' Choice: Italian (Finish Group L)									
Round 1¼" Dia.	STA-ICRR-114	837	1006	1132	1257	1431	1571	1711	237
Round 1½" Dia.	STA-ICRR-112	870	1038	1163	1290	1463	1604	1743	255
Round 2" Dia.	STA-ICRR-200	913	1097	1236	1376	1550	1703	1855	272
Square 1¼" Dia.	STA-ICSQ-114	870	1052	1193	1333	1506	1659	1811	249
Square 1½" Dia.	STA-ICSQ-112	902	1086	1226	1364	1539	1692	1845	272
Square 2" Dia.	STA-ICSQ-200	945	1143	1298	1451	1628	1792	1955	284
<b>Designers' Choice: Wood</b>									
Smooth 2" Dia.	STA-WTRN-200	677	825	945	1065	1213	1333	1453	175
Smooth 2¼" Dia.	STA-WTRN-214	677	825	945	1065	1213	1333	1453	175
Smooth 3" Dia.	STA-WTRN-300	959	1083	1181	1279	1404	1502	1601	234
Fluted 2" Dia.	STA-WTFL-200	677	825	945	1065	1213	1333	1453	175
Fluted 2¼" Dia.	STA-WTFL-214	677	825	945	1065	1213	1333	1453	175
Fluted 3" Dia.	STA-WTFL-300	959	1083	1181	1279	1404	1502	1601	234
<b>Number of Brackets Included:</b>		2	3	3	3	4	4	4	See Note*

\*Additional brackets will be included at 11', 14', 17', 20', 23', 26', and 29'. See page 51 for bracket specifications.

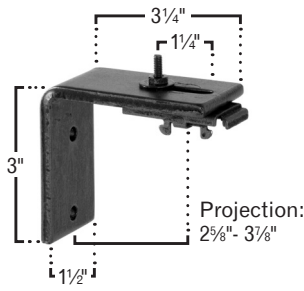
## Additional Master Carriers for Traversing Sets

Additional master carriers for manual and motorized traversing sets including: Designers' Choice Traversing, Tuscany Traversing, Deco Lite Traversing, Tuscany Collection Cornices, and Tropical Collection Cornices.

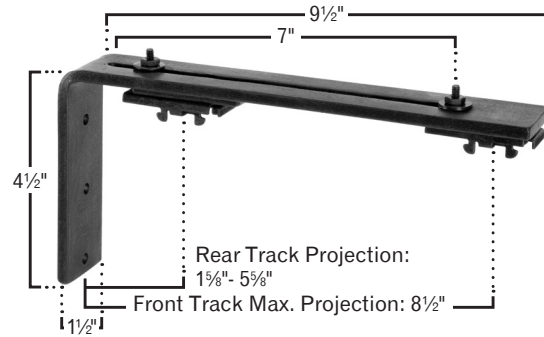
Master Carriers for Traversing Sets	Product #	Unit	Price	Includes:
<b>Manual Traversing:</b>				
	A - 2¼" B - 5¼" C - 7½" D - 3½"	E - 7⅛" F - 3¼" G - 2⅜"		
<b>Extra Master Carriers with Rings (Pinch Pleat Only)</b>				
Master Carrier Set with Rings in Iron Art Finishes	MCSRDC-IA	EACH	106	<ul style="list-style-type: none"> <li>One straight master carrier for rings.</li> <li>One overlap master carrier for rings.</li> <li>Four rings (two for each carrier).</li> </ul>
Master Carrier Set with Rings in Italian Finishes	MCSRDC-IT	EACH	127	
Single Master Carrier with Rings in Iron Art Finishes	MCRDC-IA	EACH	53	<ul style="list-style-type: none"> <li>One straight or overlap master carrier for rings. Please specify in order.</li> <li>Two rings.</li> </ul>
Single Master Carrier with Rings in Italian Finishes	MCRDC-IT	EACH	63	
	A - 3" B - 1½" C - 4⅜"	D - 2⅜" E - 3" F - 4⅜"		
<b>Extra Master Carriers without Rings (Please Specify Pinch Pleat or RippleFold) (Shown as Pinch pleat)</b>				
Master Carrier Set in Iron Art Finishes	MCSDC-IA	EACH	81	<ul style="list-style-type: none"> <li>One straight master carrier.</li> <li>One overlap master carrier.</li> </ul>
Master Carrier Set in Italian Finishes	MCSDC-IT	EACH	81	
Single Master Carrier in Iron Art Finishes	MCDC-IA	EACH	41	<ul style="list-style-type: none"> <li>One straight or overlap master carrier. Please specify in order.</li> </ul>
Single Master Carrier in Italian Finishes	MCDC-IT	EACH	41	
<b>Somfy Motorized Traversing:</b>				
	A - 2¼" B - 5¼" C - 7½" D - 3¾"	E - 7⅛" F - 3⅝" G - 2⅜"		
<b>Extra Master Carriers with Rings (Pinch Pleat Only)</b>				
Master Carrier Set with Rings in Iron Art Finishes	MCSRSM-IA	EACH	106	<ul style="list-style-type: none"> <li>One straight master carrier for rings.</li> <li>One overlap master carrier for rings.</li> <li>Four rings (two for each carrier).</li> </ul>
Master Carrier Set with Rings in Italian Finishes	MCSRSM-IT	EACH	127	
Single Master Carrier with Rings in Iron Art Finishes	MCRSM-IA	EACH	53	<ul style="list-style-type: none"> <li>One straight or overlap master carrier for rings. Please specify in order.</li> <li>Two rings.</li> </ul>
Single Master Carrier with Rings in Italian Finishes	MCRSM-IT	EACH	63	
	A - 3" B - 2½" C - 4⅜"	D - 2½" E - 3" F - 4¾"		
<b>Extra Master Carriers without Rings (Please Specify Pinch Pleat or RippleFold) (Shown as Overlap RippleFold)</b>				
Master Carrier Set in Iron Art Finishes	MCSSM-IA	EACH	81	<ul style="list-style-type: none"> <li>Overlap option for Pinch Pleat or RippleFold includes:               <ul style="list-style-type: none"> <li>One straight master carrier.</li> <li>One overlap master carrier.</li> </ul> </li> </ul>
Master Carrier Set in Italian Finishes	MCSSM-IT	EACH	81	<ul style="list-style-type: none"> <li>Butt option for RippleFold includes:               <ul style="list-style-type: none"> <li>Two butt master carriers.</li> </ul> </li> <li>Please specify overlap or butt option for RippleFold.</li> </ul>
Single Master Carrier in Iron Art Finishes	MCSM-IA	EACH	41	<ul style="list-style-type: none"> <li>One straight or overlap master carrier. Please specify in order.</li> </ul>
Single Master Carrier in Italian Finishes	MCSM-IT	EACH	41	

Space between double traversing tracks is 2 7/8" - 6 3/4". See page 57 for Deco Lite Traversing brackets.

**Single End Bracket**



**Double End Bracket**



Iron/Wood  
IT1048EBS

Italian  
IC1048EBS

Finish Group I,J,K      Finish Group L

\$24

\$39

\$46

Iron/Wood  
IT1049EBD

Italian  
IC1049EBD

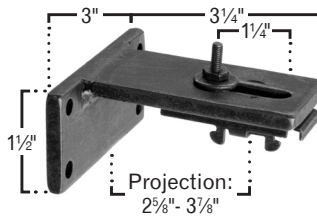
Finish Group I,J,K      Finish Group L

\$32

\$43

\$52

**Single Support Bracket**



**Double Support Bracket**



Iron/Wood  
IT1050SBS

Italian  
IC1050SBS

Finish Group I,J,K      Finish Group L

\$24

\$39

\$46

Iron/Wood  
IT1051SBD

Italian  
IC1051SBD

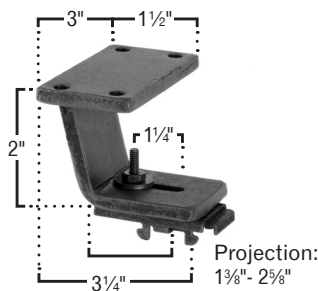
Finish Group I,J,K      Finish Group L

\$32

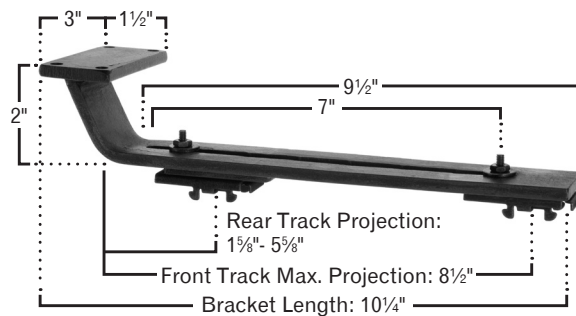
\$43

\$52

**Single Ceiling Bracket**  
(for systems without rings)



**Double Ceiling Bracket**  
(for systems without rings)



Iron/Wood  
IT1052CBS-2

Italian  
IC1052CBS-2

Finish Group I,J,K      Finish Group L

\$24

\$40

\$47

Iron/Wood  
IT1053CBD-2

Italian  
IC1053CBD-2

Finish Group I,J,K      Finish Group L

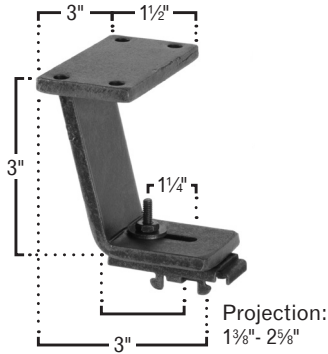
\$33

\$43

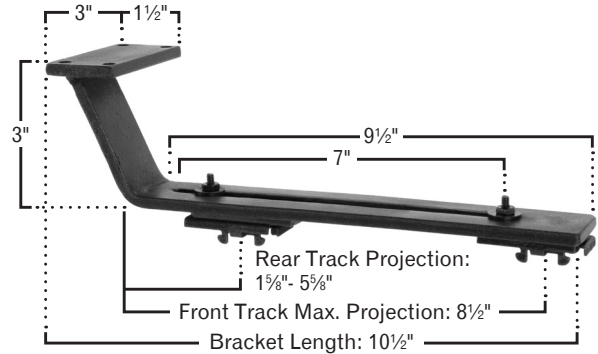
\$52

Space between double traversing tracks is 2<sup>7</sup>/<sub>8</sub>" - 6<sup>3</sup>/<sub>4</sub>". See page 57 for Deco Lite Traversing brackets.

## Single Ceiling Bracket (for systems with rings)

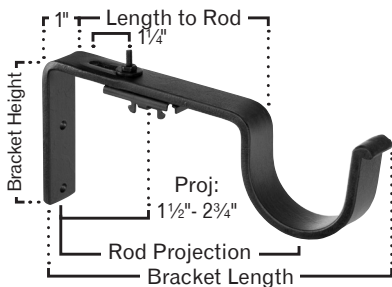


## Double Ceiling Bracket (for systems with rings)

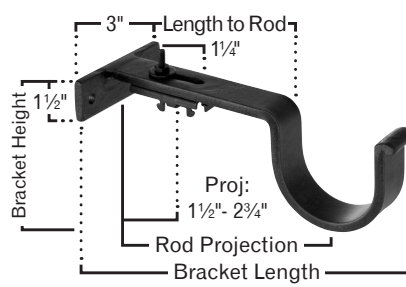


Iron/Wood IT1052CBS-3	Italian IC1052CBS-3	Iron/Wood IT1053CBD-3	Italian IC1053CBD-3
	Finish Group I,J,K		Finish Group I,J,K
			Finish Group L
\$24	\$40	\$33	\$52

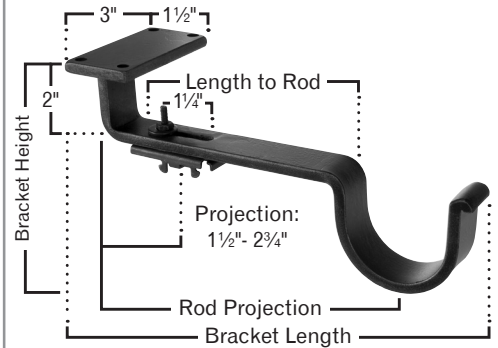
## Front Stationary / Rear Traversing End Bracket



## Front Stationary / Rear Traversing Support Bracket



## Front Stationary / Rear Traversing Ceiling Bracket



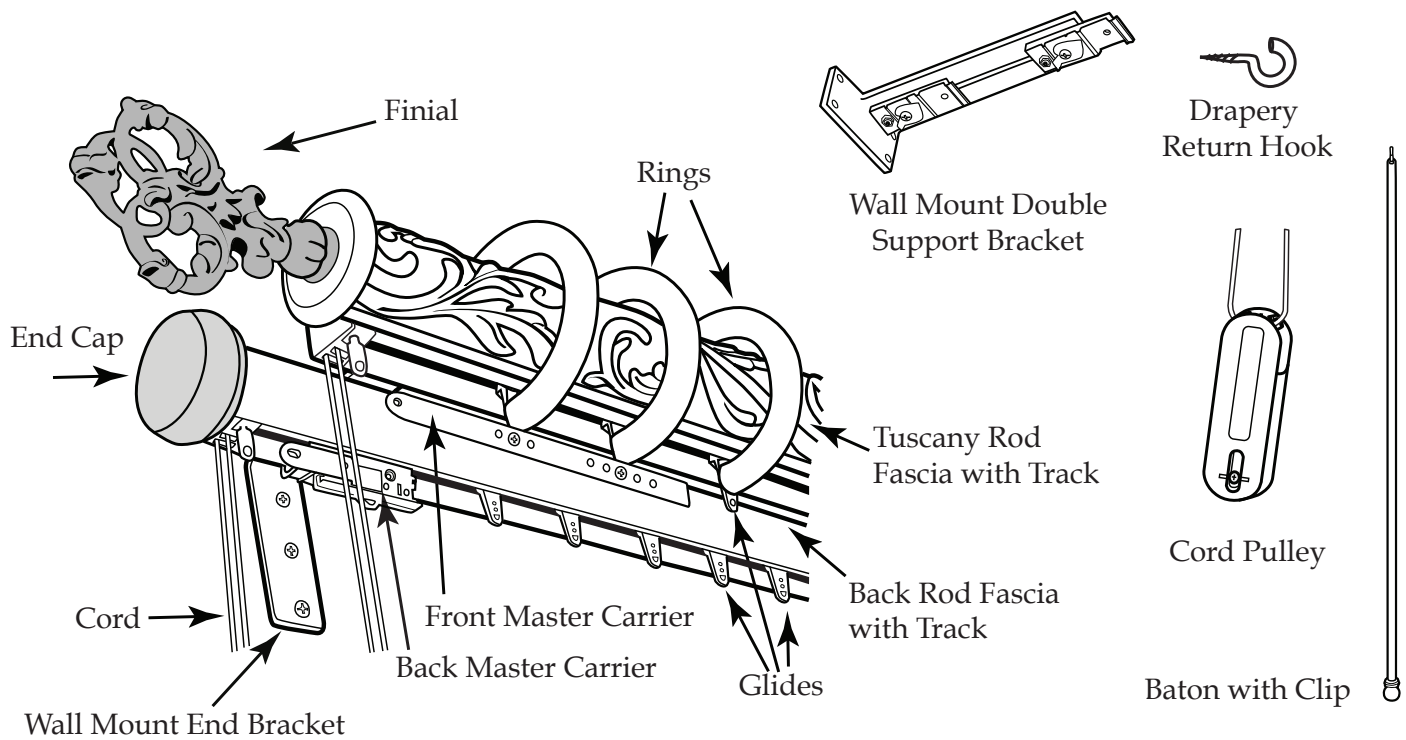
For 1 <sup>1</sup> / <sub>4</sub> " Rods 8 <sup>1</sup> / <sub>4</sub> "L x 4 <sup>1</sup> / <sub>2</sub> "H LENGTH TO POLE: 6 <sup>3</sup> / <sub>8</sub> " POLE PROJECTION: 7"	For 1 <sup>3</sup> / <sub>8</sub> " Poles 8 <sup>1</sup> / <sub>4</sub> "L x 4 <sup>1</sup> / <sub>2</sub> "H LENGTH TO POLE: 6 <sup>3</sup> / <sub>8</sub> " POLE PROJECTION: 7"	For 1 <sup>1</sup> / <sub>4</sub> " Rods 8 <sup>1</sup> / <sub>4</sub> "L x 1 <sup>1</sup> / <sub>2</sub> "H LENGTH TO POLE: 6 <sup>3</sup> / <sub>8</sub> " POLE PROJECTION: 7"	For 1 <sup>3</sup> / <sub>8</sub> " Poles 8 <sup>1</sup> / <sub>4</sub> "L x 1 <sup>3</sup> / <sub>4</sub> "H LENGTH TO POLE: 6 <sup>3</sup> / <sub>8</sub> " POLE PROJECTION: 7"	For 1 <sup>1</sup> / <sub>4</sub> " Rods 8 <sup>1</sup> / <sub>4</sub> "L x 3 <sup>1</sup> / <sub>4</sub> "H LENGTH TO POLE: 6 <sup>3</sup> / <sub>8</sub> " POLE PROJECTION: 7"	For 1 <sup>3</sup> / <sub>8</sub> " Poles 8 <sup>1</sup> / <sub>4</sub> "L x 3 <sup>3</sup> / <sub>8</sub> "H LENGTH TO POLE: 6 <sup>3</sup> / <sub>8</sub> " POLE PROJECTION: 7"
For 1 <sup>1</sup> / <sub>2</sub> " Rods 8 <sup>3</sup> / <sub>8</sub> "L x 4 <sup>1</sup> / <sub>2</sub> "H LENGTH TO POLE: 6 <sup>1</sup> / <sub>4</sub> " POLE PROJECTION: 7"	For 2" Rods 8 <sup>5</sup> / <sub>8</sub> "L x 4 <sup>1</sup> / <sub>2</sub> "H LENGTH TO POLE: 6" POLE PROJECTION: 7 <sup>1</sup> / <sub>8</sub> "	For 1 <sup>1</sup> / <sub>2</sub> " Rods 8 <sup>3</sup> / <sub>8</sub> "L x 1 <sup>3</sup> / <sub>4</sub> "H LENGTH TO POLE: 6 <sup>1</sup> / <sub>4</sub> " POLE PROJECTION: 7"	For 2" Rods 8 <sup>5</sup> / <sub>8</sub> "L x 2 <sup>1</sup> / <sub>4</sub> "H LENGTH TO POLE: 6" POLE PROJECTION: 7 <sup>1</sup> / <sub>8</sub> "	For 1 <sup>1</sup> / <sub>2</sub> " Rods 8 <sup>3</sup> / <sub>8</sub> "L x 3 <sup>1</sup> / <sub>2</sub> "H LENGTH TO POLE: 6 <sup>1</sup> / <sub>4</sub> " POLE PROJECTION: 7"	For 2" Rods 8 <sup>5</sup> / <sub>8</sub> "L x 4"H LENGTH TO POLE: 6" POLE PROJECTION: 7"
For 2 <sup>1</sup> / <sub>4</sub> " Poles 8 <sup>3</sup> / <sub>4</sub> "L x 4 <sup>1</sup> / <sub>2</sub> "H LENGTH TO POLE: 5 <sup>7</sup> / <sub>8</sub> " POLE PROJECTION: 7 <sup>1</sup> / <sub>8</sub> "	For 3" Rods 10 <sup>1</sup> / <sub>8</sub> "L x 5"H LENGTH TO POLE: 6 <sup>1</sup> / <sub>2</sub> " POLE PROJECTION: 8 <sup>1</sup> / <sub>4</sub> "	For 2 <sup>1</sup> / <sub>4</sub> " Poles 8 <sup>3</sup> / <sub>4</sub> "L x 2 <sup>1</sup> / <sub>2</sub> "H LENGTH TO POLE: 5 <sup>7</sup> / <sub>8</sub> " POLE PROJECTION: 7 <sup>1</sup> / <sub>8</sub> "	For 3" Rods 10 <sup>1</sup> / <sub>8</sub> "L x 3 <sup>3</sup> / <sub>8</sub> "H LENGTH TO POLE: 6 <sup>1</sup> / <sub>2</sub> " POLE PROJECTION: 8 <sup>1</sup> / <sub>4</sub> "	For 2 <sup>1</sup> / <sub>4</sub> " Poles 8 <sup>3</sup> / <sub>4</sub> "L x 4 <sup>1</sup> / <sub>4</sub> "H LENGTH TO POLE: 5 <sup>7</sup> / <sub>8</sub> " POLE PROJECTION: 7"	For 3" Rods 10 <sup>1</sup> / <sub>8</sub> "L x 5"H LENGTH TO POLE: 6 <sup>1</sup> / <sub>2</sub> " POLE PROJECTION: 8"

Iron/Wood IT1054EBD	Italian IC1054EBD	Iron/Wood IT1055SBD	Italian IC1055SBD	Iron/Wood IT1056CBD	Italian IC1056CBD
	Finish		Finish		Finish
					Finish
	Group I,J,K		Group I,J,K		Group L
\$44	\$57	\$44	\$57	\$46	\$72

Front Stationary / Rear Traversing Brackets Accommodate 1<sup>1</sup>/<sub>4</sub>" Diameter Iron or 1<sup>3</sup>/<sub>8</sub>" Diameter Wood Traversing Fascias.

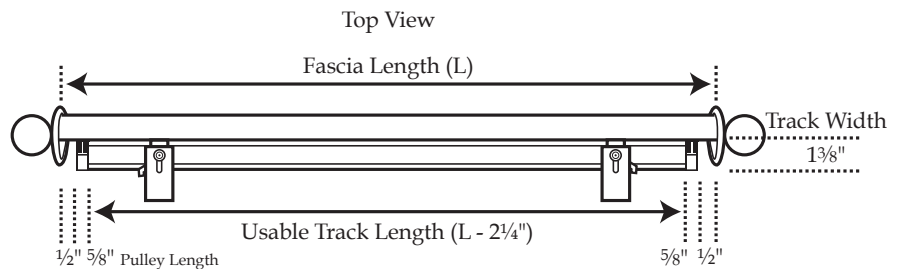
# Tuscany Traversing

COLLECTION



### MEASUREMENT GUIDELINES

- Please specify fascia length when ordering.
- Usable Track length will be 2 1/4" shorter than fascia length. (L - 2 1/4")



## Iron Tuscany Traversing Systems

*Traversing Systems designed to meet all of the custom needs of interior designers.*

- Single or Double Systems in Decorative Tuscany Rod Fascias.
- 11 Tuscany Designs.
- Up to 30 Feet in Length.
- Heavy Duty Track and Accessories Automatically Included.
- End and Support Brackets in Iron Customized for Heavy Duty Applications.
- Wall Mount or Ceiling Mount Brackets with Expandable Projections.
- Front Track with or without Rings.
- Back Rod Fascia in Double Traverse System Includes End Caps (Finished) and 1 1/4" Diameter Iron Smooth Round Fascia.
- Cord Draw or Baton Draw.
- Rods Without Rings May be Curved.
- Miter Return Available.
- 35 Iron Art™ Finishes for Tuscany Rod Fascia, Finials, Rings, Brackets, and End Caps (Back Rod Fascia Only).
- Custom Finishes Available on Tuscany Rod Fascia.
- Five Finishes for Traversing Tracks: Antique Bronze, Black, Gold, Silver, and White.
- Pinch Pleat or RippleFold.
- Track Color Coordinating Pinch Pleat Glides for Systems with Rings. Pinch Pleat Without Rings and RippleFold Glides are White.
- Heavy Duty Packaging.
- Shipped in 15 Business Days.

### Tuscany Traversing Set Guide: Iron Bracket, Glide, and Ring Quantities

Product	Unit	QTY	Product	Unit	QTY	Product	Unit	QTY
<b>Iron End Brackets</b>			<b>Rings (Front Rod Only)</b>			<b>Glides</b>		
Single Bracket Back Plate: H 3 1/4" W 1 1/2"	SET	2	Including Master Carriers	FOOT	4	Including Master Carrier	FOOT	4
Double Bracket Back Plate: H 4 1/2" W 1 1/2"			Rings are an additional cost					

## Tuscany Traversing: Ordering Information

- Sets automatically include: rod fascia, heavy duty tracks, glides, master carriers\*, cords, and cord pulleys\*\*, drapery return hooks, two end brackets, support brackets as needed per length, and back rod end caps (for double rods only).
- Items sold separately: finials, rings (front rod with pinch pleat glides only), and batons.
- Set finishes: rods, brackets, return hooks, rings, master carriers and batons are finished as per finish specified in order.
- Track finishes are available in Antique Bronze, Black, Gold, Silver, and White.
- Glides for pinch pleat systems with rings coordinate with the five track finishes. Pinch pleat glides for systems without rings and RippleFold glides are available in white. Pinch pleat glides are supplied four per foot.
- Please state fullness of 60%, 80%, 100%, or 120% when ordering RippleFold.
- Traversing rods come with or without rings on front rods with pinch pleat glides only. Back rods and RippleFold glides do not accommodate rings. Two stationary rings are placed on each end for center open systems, one ring is placed on the stack side for one-way draw systems.
- If desired, you may specify a baton drawn system. **Batons are sold separately.** Please see page 25 for Iron Art™ batons.
- When ordering, please specify the Tuscany design number, cord length (standard is 8'), cord placement (left or right), and draw (left stack, right stack, or center open).
- Please specify wall or ceiling mount end brackets when ordering. Due to limited clearance, we recommend using end caps as finials with ceiling mount brackets. Please contact customer service for a list of other finials which may be used.
- Tuscany Traversing set pricing is rounded up to the next foot.
- Maximum fabric weight for a 16' track is 62 lbs. for the heavy duty traverse track (automatically provided in each set).
- All heavy duty tracks are available in 16' (192") lengths without a splice, and up to 30' (360") with a splice. Please contact customer service for the availability of 19' (228") lengths without a splice.**
- We splice any center open traversing rod over 102" to save on shipping charges using FedEx. (One-way draw is not spliced for FedEx.) Traversing systems not specified as one piece in the order will be spliced in the center, unless a splice location is otherwise noted. Anything specified as one piece and over these lengths is shipped by truck, and final shipping charges are given when the order is shipped. Please note residential truck deliveries are restricted to 24' (288").
- When ordering with miter returns, please add Product #IT307MR. The width entered should be the track measurement. Returns are available as 3½", 4½", 6", and 7".
- Tuscany Traversing rods not using rings can be curved. Please see curve charges below.
- Custom finish: 25% additional charge. Please add a one time strike off charge (Product #IASTRIKE).

## Tuscany Traversing Sets: Page 46 of Catalog

(Add Finials, Rings, Accessories, and Miscellaneous Charges Where Applicable)

Style	Set #	4 Feet	5 Feet	6 Feet	7 Feet	8 Feet	9 Feet	10 Feet	Additional Foot
Single System	TTKT-S	548	712	840	969	1131	1260	1389	201
Double System	TTKT-D	875	1034	1234	1435	1681	1881	2081	289
<b>Number of Brackets Included:</b>		<b>2</b>	<b>3</b>	<b>3</b>	<b>3</b>	<b>4</b>	<b>4</b>	<b>4</b>	See Note <sup>†</sup>

<sup>†</sup>Additional brackets will be included at 11', 14', 17', 20', 23', 26', and 29'. See page 51 for bracket specifications.

## Traversing Accessories: Page 49 of Catalog

Accessories & Charges	Product #	Unit	Price	Additional Information
<b>Additional Traversing Glides</b>	<b>TRGL</b>	EACH	<b>2.50</b>	Specify Quantity in Order / Standard is Four per Foot
<b>Additional Traversing Cord (white)</b>	<b>TRCR</b>	FOOT	<b>1.40</b>	Specify Length in Order / Standard is Eight Feet
<b>Strike Off Charge (net)</b>	<b>IASTRIKE</b>	EACH	<b>43</b>	One time strike off charge for custom finish
<b>Miter with Return</b>	<b>IT307MR</b>	EACH	<b>92</b>	Available in 3½", 4½", 6", and 7"
<b>"C" Ring Styles (Front Rod Only)</b>	<b>Product #</b>	<b>Unit</b>	<b>Price</b>	<b>Additional Information</b>
<b>Round Iron "C" Rings</b>	<b>IT/IC350TR</b>	EACH	<b>17</b>	Front Rod Only
<b>Round Hammered Iron "C" Rings - 3"</b>	<b>IT356TR</b>	EACH	<b>17</b>	Front Rod Only
<b>Curve Charges</b>	<b>Product #</b>	<b>Unit</b>	<b>Price</b>	<b>Additional Information</b>
<b>Single Track Curve</b>	<b>ITBENDCVS</b>	FOOT	<b>38</b>	Curve Single Traversing Set - Fascia with Traversing Track
<b>Double Track Curve</b>	<b>ITBENDCVD</b>	FOOT	<b>65</b>	Curve Double Traversing Set - Fascias with Traversing Tracks

\* Center open rods come with two master carriers, while one-way draw rods come with one. Front rod carriers each hold two rings.

\*\* Cord drawn traversing sets include cords and cord pulleys. Batons for baton drawn sets are sold separately.

\*\*\* Ceiling mount support brackets have a 2" drop for rods without rings, and a 3" drop for rods with rings.

FASCIA DESIGNS

DT8021 - Acanthus Height: 3½"



DT8023 - Tulip Height: 3½"



DT8034 - Spring Leaf Height: 3¾"



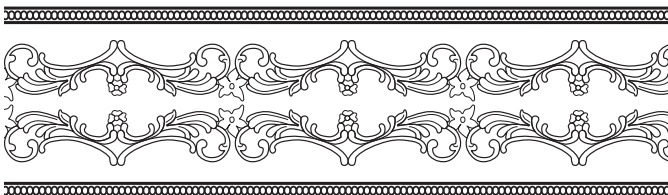
DT8026 - Baroque Height: 3¾"



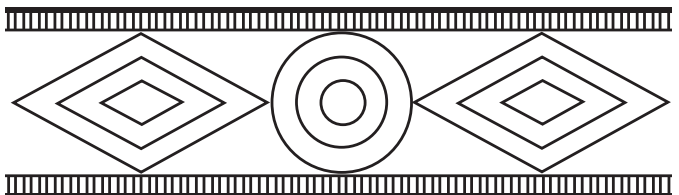
DT8036 - Sea Shore Height: 3¾"



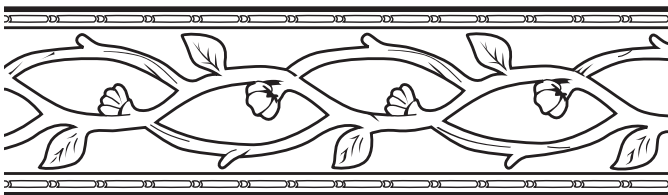
DT8028 - Embossed Height: 27/8"



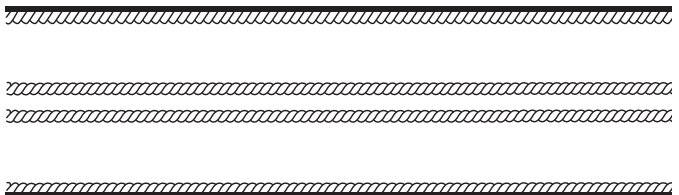
DT8055 - Infinite Geometry Height: 35/8"



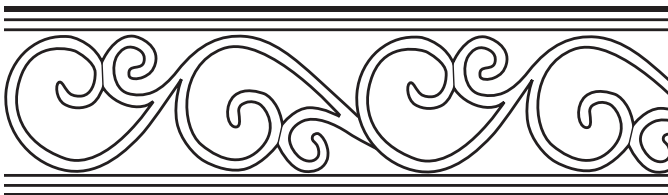
DT8030 - Bud Branch Height: 3½"



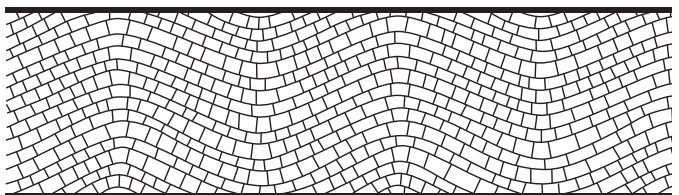
DT8057 - Classic Height: 3½"



DT8032 - Spanish Scroll Height: 3½"

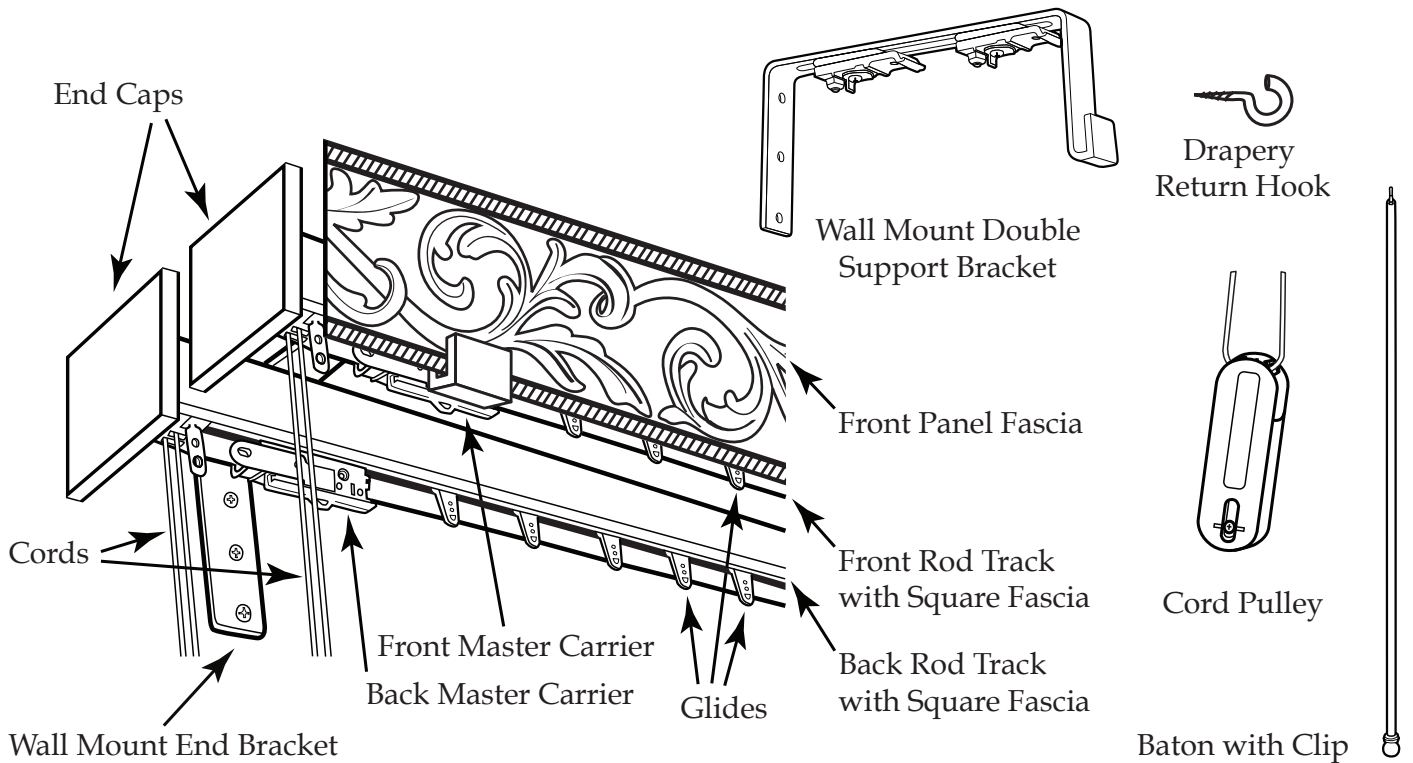


DT8059 - Royal Road Height: 3½"



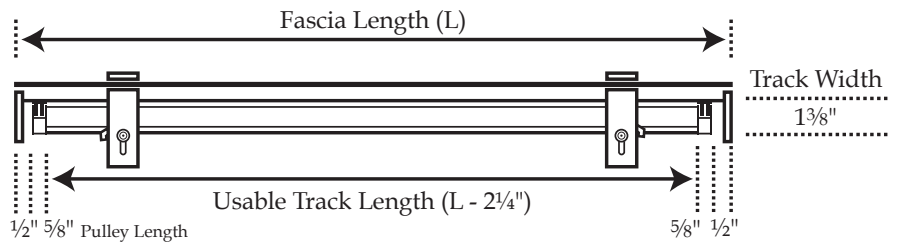


# DECO LITE TRAVERSING



## MEASUREMENT GUIDELINES

- Please specify fascia length when ordering.
- Usable Track length will be 2¼" shorter than fascia length. (L - 2¼")



## Deco Lite Traversing Systems

*Traversing Systems designed to meet all of the custom needs of interior designers.*

- Single or Double Systems in Decorative Deco Lite Fascias.
- 11 Deco Lite Designs.
- Up to 30 Feet in Length.
- Heavy Duty Track and Accessories Automatically Included.
- End and Support Brackets in Iron Customized for Heavy Duty Applications.
- Wall Mount or Ceiling Mount Brackets have Expandable Projections.
- Each Rod Includes a 1¼" Diameter Smooth Square Iron Fascia and End Caps.
- Cord Draw or Baton Draw.
- Pinch Pleat or RippleFold.
- 35 Iron Art™ Finishes for Deco Lite Fascia, Rod Fascia, End Caps, and Brackets.
- Custom Finishes Available.
- Five Finishes for Traversing Tracks: Antique Bronze, Black, Gold, Silver, and White.
- Pinch Pleat and RippleFold Glides are White.
- Heavy Duty Packaging.
- Shipped in 15 Business Days.

## Deco Lite Traversing Set Guide: Iron Bracket, Glide, and Ring Quantities

Product	Unit	QTY	Product	Unit	QTY
<b>Iron End Brackets</b> Single Bracket Back Plate: H 4½" W 1" Double Bracket Back Plate: H 4½" W 1½"	SET	2	<b>Glides</b> Including Master Carrier	FOOT	4

## Deco Lite Traversing: Ordering Information

- Sets automatically include: front panel fascia, square rod fascia, end caps, heavy duty tracks, glides, master carriers\*, cords, and cord pulleys\*\*, drapery return hooks, two end brackets, and support brackets as needed per length.
- Items sold separately: batons.
- Rod set finishes: front panel fascia, square rod fascia, end caps, brackets, return hooks, master carriers, and batons are finished as per finish specified in order.
- Track finishes are available in Antique Bronze, Black, Gold, Silver, and White.
- Pinch pleat or RippleFold glides are white. Pinch pleat glides are supplied four per foot.
- Please state fullness of 60%, 80%, 100%, or 120% when ordering RippleFold.
- If desired, you may specify a baton drawn system. **Batons are sold separately.**  
Please see page 25 for Iron Art™ batons.
- When ordering, please specify the Deco Lite design number, cord length (standard is 8'), cord placement (left or right), and draw (left stack, right stack, or center open).
- Please specify wall or ceiling mount end brackets when ordering.
- Deco Lite Traversing set pricing is rounded up to the next foot.
- Maximum fabric weight for a 16' track is 62 lbs. for the heavy duty traverse track (automatically provided in each set).
- All heavy duty tracks and fascia are available up to 30' (360"), and are assembled and shipped in one piece. Front panel fascia comes as a single piece only. Tracks over 16' (192") are spliced. Tracks 16' (192") or less **will not** be spliced. Please contact customer service for the availability of 19' (228") lengths without a splice.
- The maximum width for FedEx shipments is 102". All rods over 102" must be shipped by common carrier (truck line). Please note residential truck deliveries are restricted to 24' (288").
- Custom finish: 25% additional charge. Please add a one time strike off charge (Product #IASTRIKE).

## Deco Lite Traversing Sets: Page 50 of Catalog

(Add Finials, Rings, Accessories, and Miscellaneous Charges Where Applicable)

Style	Set #	4 Feet	5 Feet	6 Feet	7 Feet	8 Feet	9 Feet	10 Feet	Additional Foot
Single System	DTKT-S	586	726	1105	1231	1485	1659	1831	244
Double System	DTKT-D	991	1265	1457	1646	1919	2110	2299	358
Number of Brackets Included:		2	3	3	3	4	4	4	See Note <sup>†</sup>

<sup>†</sup>Additional brackets will be included at 11', 14', 17', 20', 23', 26', and 29'. See page 57 for bracket specifications.

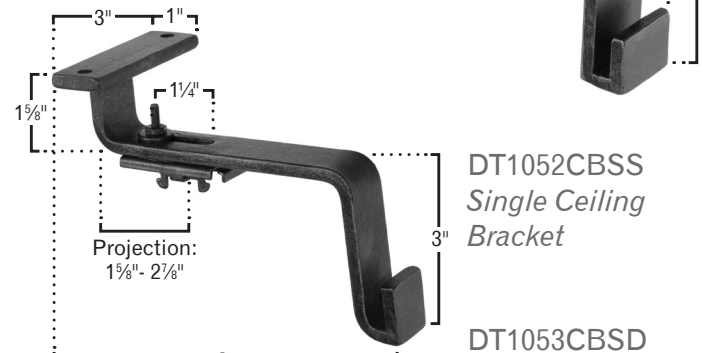
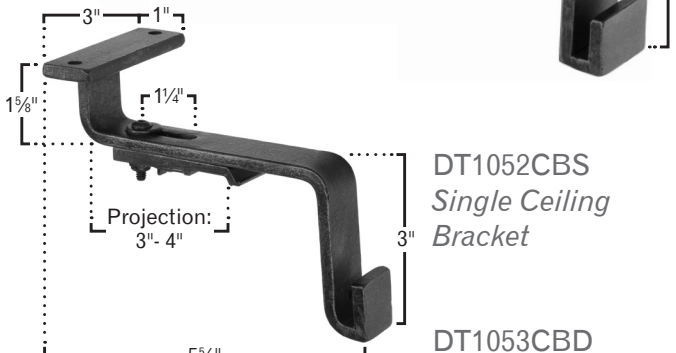
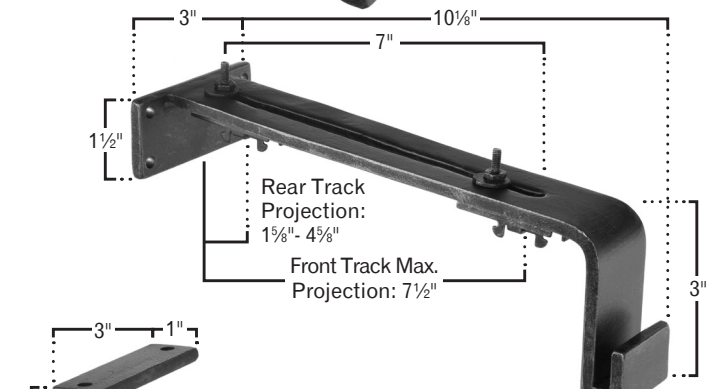
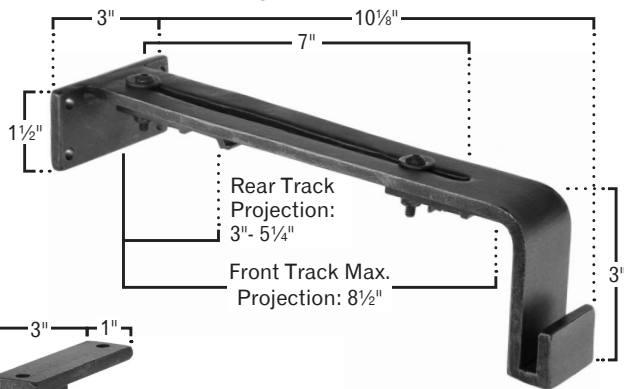
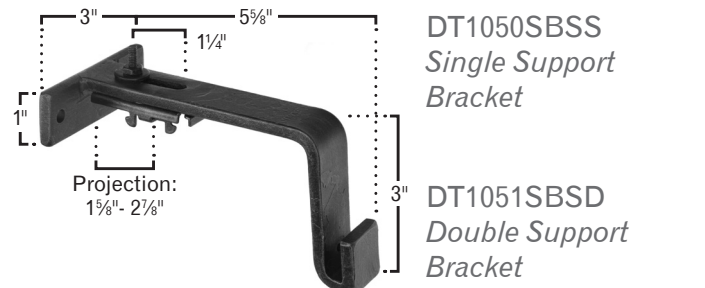
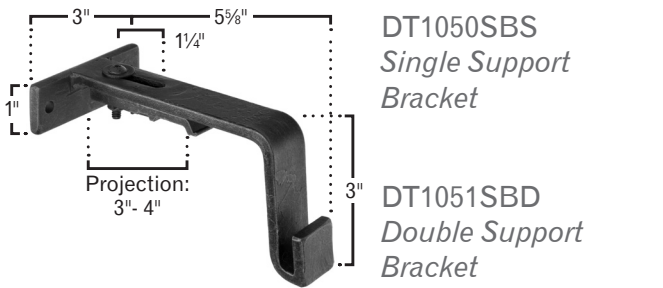
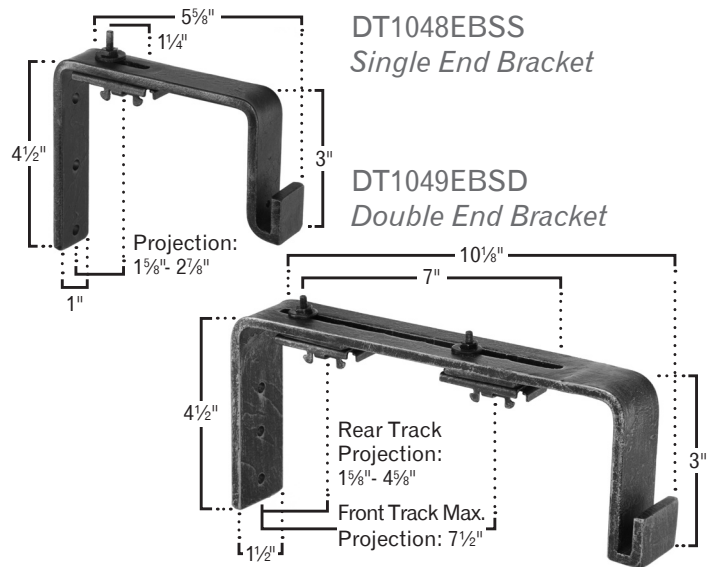
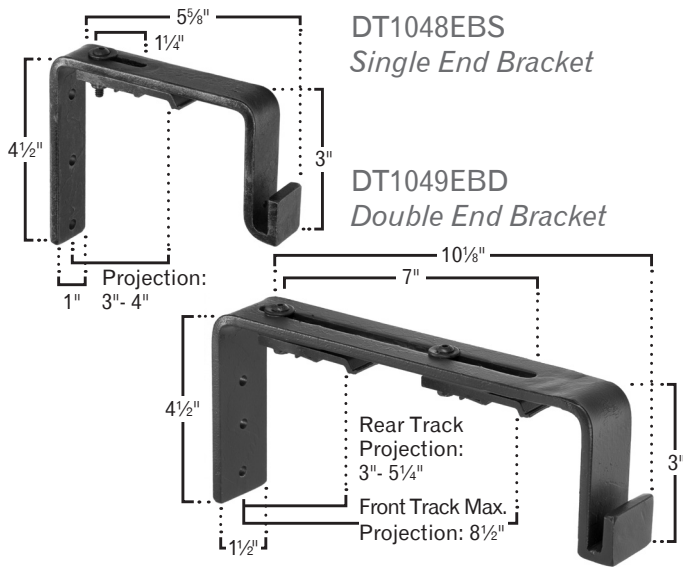
## Deco Lite Accessories: Page 49 of Catalog

Accessories & Charges	Product #	Unit	Price	Additional Information
Additional Traversing Glides	TRGL	EACH	2.2	Specify Quantity in Order / Standard is Four per Foot
Additional Traversing Cord (white)	TRCR	FOOT	0.90	Specify Length in Order / Standard is Eight Feet
Strike Off Charge (net)	IASTRIKE	EACH	43	One time strike off charge for custom finish
Additional Manual Support Brackets	Product #	Unit	Price	Additional Information
Single End Bracket	DT1048EBS	EACH	32	3" to 4" Projection / Back Plate: H 4 1/2" W 1"
Double End Bracket	DT1049EBD	EACH	39	Back Plate: H 4 1/2" W 1 1/2"
Single Support Bracket	DT1050SBS	EACH	32	3" to 4" Projection / Back Plate: H 1" W 3"
Double Support Bracket	DT1051SBD	EACH	39	3/4"- 5 1/2" Available Space Between Tracks
Single Ceiling Bracket	DT1052CBS	EACH	37	3" to 4" Projection / Ceiling Plate: H 1" W 3"
Double Ceiling Bracket	DT1053CBD	EACH	43	3/4"- 5 1/2" Available Space Between Tracks
Additional Motorized Support Brackets	Product #	Unit	Price	Additional Information
Single End Bracket	DT1048EBSS	EACH	32	1 5/8" to 2 7/8" Projection / Back Plate: H 4 1/2" W 1"
Double End Bracket	DT1049EBSD	EACH	39	Back Plate: H 4 1/2" W 1 1/2"
Single Support Bracket	DT1050SBSS	EACH	32	1 5/8" to 2 7/8" Projection / Back Plate: H 1" W 3"
Double Support Bracket	DT1051SBSD	EACH	39	3"- 6" Available Space Between Tracks
Single Ceiling Bracket	DT1052CBSS	EACH	37	1 5/8" to 2 7/8" Projection / Ceiling Plate: H 1" W 3"
Double Ceiling Bracket	DT1053CBSD	EACH	43	3"- 6" Available Space Between Tracks

\* Center open rods come with two master carriers, while one-way draw rods come with one.

\*\* Cord drawn traversing sets include cords and cord pulleys. Batons for baton drawn sets are sold separately.

# Bracket Guide: Deco Lite Manual and Motorized Traversing

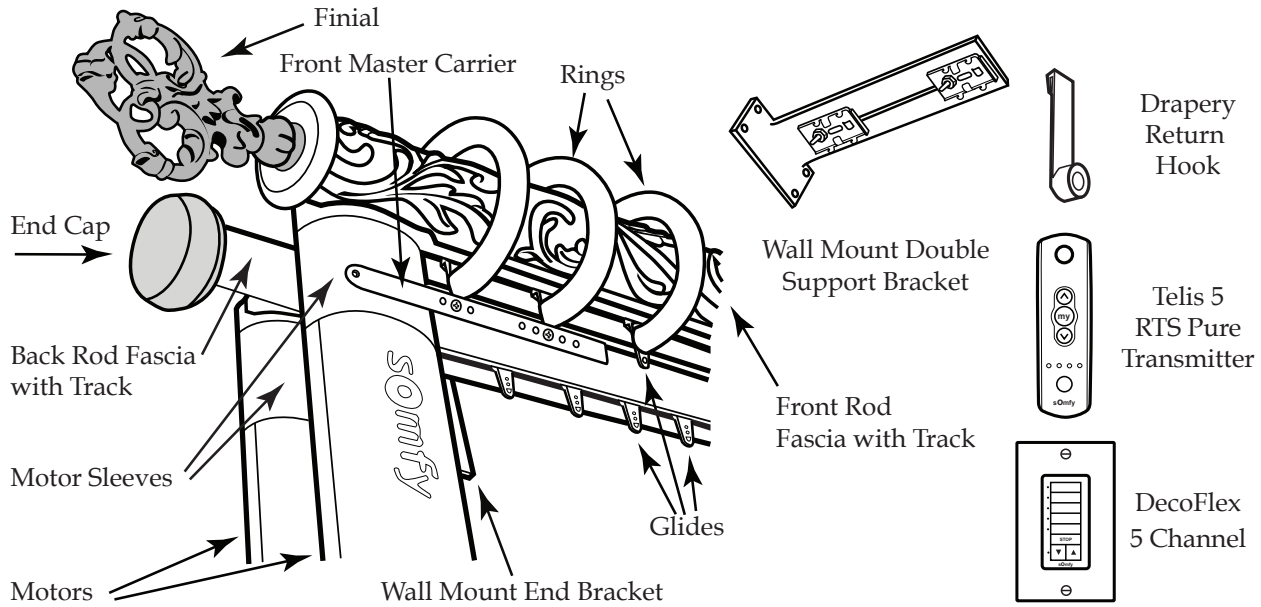


Space between double manual tracks is 3" - 5 1/2".

Space between double motorized tracks is 3" - 6".

# TRAVERSING WITH SOMFY

CHOOSE. TOUCH. RELAX.™



## Traversing Systems with Somfy

*Designed to meet all of the custom needs of interior designers.*

- Single or Double Systems in Iron, Italian, Wood, Deco Lite or Tuscany Rod Fascia.
- Up to 30 Feet in Length.
- Heavy Duty Track and Accessories Automatically Included.
- End and Support Brackets in Iron Customized for Heavy Duty Applications.
- Wall Mount or Ceiling Mount Brackets with Expandable Projections.
- Front Track with or without Rings.
- Back Rod Fascia Automatically Includes End Caps (Finished).
- Iron, Italian, and Tuscany Rods May be Bent or Curved (Excludes Square Fascia Styles or Systems with Rings).
- Five Finishes for Traversing Tracks: Antique Bronze, Black, Gold, Silver, & White.
- Pinch Pleat or RippleFold.
- Track Color Coordinating Pinch Pleat Glides for Systems with Rings. Pinch Pleat Without Rings and RippleFold Glides are White.
- Miter Return Available.
- Heavy Duty Packaging.
- Shipped in 15 Business Days.

### Iron Rod Fascia Styles:

- 35 Iron Art™ Finishes and 6 Italian Collection Finishes for Rod Fascia, Finials, Rings, Brackets & End Caps (Back Rod Fascia Only).
- Rod Fascias: Round, Square, Fluted, and Round Hammered.
- Custom Finishes Available on Iron Fascia.
- Choose Finials From: Iron - Iron Finials, Bohemia Collection, and Village Forge Collection. Italian - Italian Finial & Bohemia Collection.
- Back Rod in Double Traverse System Comes with Iron Fascia 1 1/4" Diameter to Match Front Rod Style.

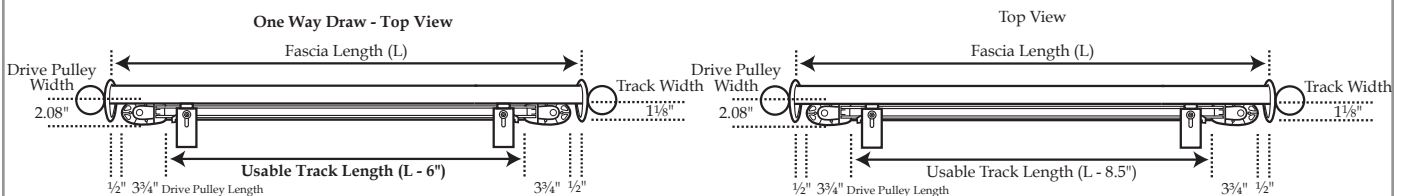
### Wood Rod Fascia Styles:

- 11 Wood Art™ Finishes for Rod Fascia, Finials, Rings, Brackets & End Caps (Back Rod Fascia Only).
- Rod Fascias and Diameters: Round: 2", 2 1/4", and 3" Fluted: 2", 2 1/4", and 3"
- Custom Finishes Available on Wood Fascia.
- Select Finials from New York Wood, Wood Craft, Rosina, Bohemia, and Iron Collections.
- Back Rod in Double Traverse System Comes with Wood Fascia 1 3/8" Diameter to Match Front Rod Style.

### Tuscany Traversing Fascia Styles:

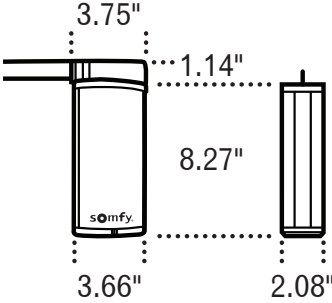
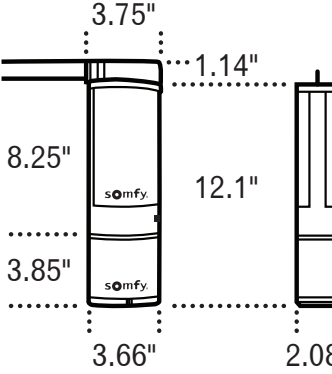
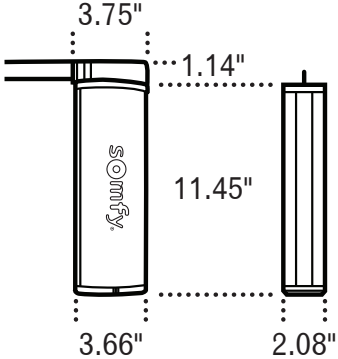
- 35 Iron Art™ Finishes for Rod Fascia, Finials, Rings, Brackets & End Caps (Back Rod Fascia Only).
- Rod Fascias: 11 Tuscany Designs.
- Custom Finishes Available on Tuscany Fascia.
- Choose Finials From: Iron Finials, Bohemia Collection, and Village Forge Collection.
- Back Rod in Double Traverse System Comes with Iron Fascia 1 1/4" Diameter to Match Front Rod Style.

**MEASUREMENT GUIDELINES** • Please specify fascia length when ordering. • Usable Track length will be shorter than fascia length.



### SOMFY MOTORIZATION SYSTEM

- Track, Fascia, Glides/Rings Come Assembled; Made-to-Measure.
- Round Iron Rods May be Bent or Curved. Tuscany Rods May be Curved.
- Smooth & Quiet Operation (<44dBA).
- Radio Frequency (RTS), Dry Contact (DCT), Infrared, RS485 Digital Technology, Z-Wave, and ZigBee Control Options.
- Manual Override System Allows Drapery to be Drawn During Power Outages.
- Touch Motion with Two Sensitivity Settings Allows the User to Activate the Motorized Drapery Simply by Pulling on the Fabric.
- "My Function" Allows User to Set a Preferred Drapery Openness Position for Easy Access.
- Two Drapery Heading Types: Pinch Pleat or Ripplefold.
- Three Draw Options: Left Stack, Right Stack, Center Open.

<p><b>IRISMO 35 MINI DC:</b></p> <ul style="list-style-type: none"> <li>• 24V DC Low Voltage Power Supply with 13.2 Ft. Cord.</li> <li>• Traverses up to 77 Lbs.</li> </ul> 	<p><b>IRISMO 45 WIREFREE:</b></p> <ul style="list-style-type: none"> <li>• Rechargeable 26.5V Lithium Ion Battery (Charger Sold Separately).</li> <li>• Traverses up to 99 Lbs.</li> </ul> 	<p><b>GLYDEA 35E AND 60E:</b></p> <ul style="list-style-type: none"> <li>• Glydea Motor Plugs Directly into Standard 110 V AC Duplex Wall Outlet (Comes with 10 Ft. Plug).</li> <li>• 35e Traverses up to 77 Lbs.</li> <li>• 60e Traverses up to 132 Lbs.</li> </ul> 
---------------------------------------------------------------------------------------------------------------------------------------------------------------------------------------------------------------------------------------------------------------	------------------------------------------------------------------------------------------------------------------------------------------------------------------------------------------------------------------------------------------------------------------------------	----------------------------------------------------------------------------------------------------------------------------------------------------------------------------------------------------------------------------------------------------------------------------------------------------------------------------------------------------------

See pages 66-67 for more specifications.

## Traversing with Somfy: Ordering Information

1. Sets automatically include: rod fascia, heavy duty tracks, Somfy motors, motor sleeves, glides, master carriers\*, drapery return hooks, two end brackets, support brackets as needed per length, and back rod end caps (for double rods only).
2. Items sold separately: finials, rings (front rod with pinch pleat glides only), and control accessories.
3. Rod set finishes: rods, brackets, rings, motor sleeves, pulley caps, and master carriers are finished as per finish specified in order.
4. Track finishes are available in Antique Bronze, Black, Gold, Silver, and White.
5. Glides for systems with rings using pinch pleats coordinate with the five track finishes. Pinch pleats not using rings and RippleFold glides are only available in White. Pinch pleat glides are supplied four per foot.
6. Please state fullness of 80%, 100%, or 120% when ordering RippleFold.
7. Traversing rods come with or without rings on the front rods with pinch pleat glides only. Back rods and RippleFold glides do not accommodate rings. Two stationary rings are placed on each end for center open systems, one ring is placed on the stack side for one-way draw systems.
8. When ordering, specify motor placement (left or right), and draw (left stack, right stack, or center open).
9. Please specify wall or ceiling mount end brackets when ordering. Due to limited clearance, we recommend using end caps as finials with ceiling mount brackets. Please contact customer service for a list of other finials which may be used.
10. Somfy traversing set pricing is rounded up to the next foot.
11. Maximum fabric weight for a 16' track is 62 lbs. for the heavy duty traverse track (automatically provided in each set).
12. All Somfy traversing tracks come assembled and shipped in one piece.
  - **All heavy duty tracks, iron rods, and wood poles (all diameters) are available in 16' (192") lengths without a splice, and up to 30' (360") with a splice. Please contact customer service for the availability of 19' (228") lengths without a splice.**
  - Italian Collection iron rods are available in 10' (108") lengths without a splice, and up to 20' (216") with a splice.
13. The maximum width for a FedEx shipment is 8' 6" (102"). All sets over this must be shipped by common carrier (truck line). Please note residential truck deliveries are restricted to 24' (288").
14. When ordering with miter returns, please add Product #IT307MR, #IC307MR, or #WT307MR. The width entered should be the track measurement. Returns are available as 3½", 4½", 6", and 7".
15. Iron, Italian, and Tuscany Traversing rods can be curved, and Iron and Italian traversing rods can be bent (excludes square fascia styles and systems with rings). Please see bend and curve charges on page 63.
16. Custom finish: 25% additional charge. Please add a one time strike off charge (Product #IASTRIKE).
17. Please refer to pages 50-51 if you need additional brackets.

\* Center open rods come with two master carriers, while one-way draw rods come with one. Front rod carriers each hold two rings.

## Single Traversing with Somfy Sets: Pages 52-55 of Catalog

(Add Finials, Rings, Controls, and Miscellaneous Charges Where Applicable)

Style	Set #	4 Feet	5 Feet	6 Feet	7 Feet	8 Feet	9 Feet	10 Feet	Additional Foot
Track Only	ST60E-S	1782	1845	1901	1957	2012	2076	2131	58
Tuscany Traversing (11 Designs)	TTST-S	2646	2920	3164	3407	3651	3925	4169	255
Deco Lite Traversing (11 Designs)	DTST-S	2475	2791	3036	3280	3572	3841	4086	301
<b>Designers' Choice: Iron</b>									
Round 1½" Dia.	STRR-S-112	2241	2475	2681	2886	3093	3326	3532	215
Round 2" Dia.	STRR-S-200	2248	2488	2700	2913	3126	3366	3579	223
Round 3" Dia.	STRR-S-300	2395	2648	2873	3099	3326	3579	3804	235
Round Hammered 1½" Diameter	STRH-S-112	2368	2614	2834	3053	3272	3518	3738	229
Round Hammered 2" Diameter	STRH-S-200	2375	2627	2853	3080	3306	3558	3785	235
Round Hammered 3" Diameter	STRH-S-300	2508	2774	3013	3253	3492	3758	3998	248
Square 1½" Dia.	STSQ-S-112	2408	2648	2861	3073	3286	3525	3738	232
Square 2" Dia.	STSQ-S-200	2421	2667	2886	3107	3326	3572	3792	240
Fluted 1½" Dia.	STFL-S-112	2475	2727	2953	3180	3406	3658	3885	246
Fluted 2" Dia.	STFL-S-200	2488	2747	2980	3213	3445	3704	3938	253
<b>Designers' Choice: Italian</b>									
Designers' Choice: Italian (Finish Group I, J, K)									
Round 1½" Dia.	STIR-S-112	2527	2810	3056	3301	3548	3830	4076	258
Round 2" Dia.	STIR-S-200	2541	2829	3082	3335	3588	3876	4129	264
Square 1½" Dia.	STIQ-S-112	2554	2843	3096	3349	3601	3889	4143	264
Square 2" Dia.	STIQ-S-200	2567	2863	3122	3382	3641	3937	4196	271
Designers' Choice: Italian (Finish Group L)									
Round 1½" Dia.	STIR-S-112	2780	3091	3362	3631	3902	4213	4484	284
Round 2" Dia.	STIR-S-200	2795	3112	3391	3668	3947	4265	4542	291
Square 1½" Dia.	STIQ-S-112	2810	3128	3406	3684	3961	4279	4557	291
Square 2" Dia.	STIQ-S-200	2824	3149	3434	3721	4005	4330	4615	298
<b>Designers' Choice: Wood</b>									
Smooth 2" Dia.	STSM-S-200	2192	2426	2634	2842	3050	3284	3493	217
Smooth 2¼" Dia.	STSM-S-214	2192	2426	2634	2842	3050	3284	3493	217
Smooth 3" Dia.	STSM-S-300	2231	2478	2699	2920	3141	3388	3610	230
Fluted 2" Dia.	STWF-S-200	2192	2426	2634	2842	3050	3284	3493	217
Fluted 2¼" Dia.	STWF-S-214	2192	2426	2634	2842	3050	3284	3493	217
Fluted 3" Dia.	STWF-S-300	2231	2478	2699	2920	3141	3388	3610	230
<b>Number of Brackets Included:</b>		<b>3</b>	<b>4</b>	<b>4</b>	<b>4</b>	<b>5</b>	<b>5</b>	<b>5</b>	See Note*

\*Additional bracket will be included at 11', 14', 17', 20', 23', 26', and 29'. See pages 64-65 for bracket specifications.

Set prices shown include the Glydea 60e RTS or DCT heavy duty motor.  
 For an Irisimo 45 WireFree motor plus charger, add \$95 to the set price.  
 For Irisimo 35 Mini DC or Glydea 35e motors, deduct \$50 from the set price.  
 If supplying a motor, deduct \$500 from the set price.  
 Please note your motor selection or if you are supplying a motor on your order.

## Double Traversing with Somfy Sets: Pages 52-55 of Catalog

(Add Finials, Rings, Controls, and Miscellaneous Charges Where Applicable)

Style	Set #	4 Feet	5 Feet	6 Feet	7 Feet	8 Feet	9 Feet	10 Feet	Additional Foot
Track Only	ST60E-D	3566	3690	3802	3914	4026	4151	4262	117
Tuscany Traversing (11 Designs)	TTST-D	5070	5443	5775	6108	6440	6933	7146	346
Deco Lite Traversing (11 Designs)	DTST-D	5240	5699	6118	6490	6909	7439	7646	433
<b>Designers' Choice: Iron</b>									
Round 1½" Dia.	STRR-D-112	4537	4865	5158	5450	5743	6072	6364	304
Round 2" Dia.	STRR-D-200	4549	4885	5185	5484	5782	6118	6418	312
Round 3" Dia.	STRR-D-300	4576	4918	5225	5530	5836	6178	6484	318
Round Hammered 1½" Diameter	STRH-D-112	4563	4898	5198	5496	5796	6132	6431	312
Round Hammered 2" Diameter	STRH-D-200	4576	4918	5225	5530	5836	6178	6484	318
Round Hammered 3" Diameter	STRH-D-300	4603	4951	5264	5577	5889	6238	6550	325
Square 1½" Dia.	STSQ-D-112	4636	4958	5244	5530	5816	6138	6424	298
Square 2" Dia.	STSQ-D-200	4649	4978	5271	5563	5856	6184	6477	304
Fluted 1½" Dia.	STFL-D-112	4743	5085	5390	5696	6003	6345	6650	318
Fluted 2" Dia.	STFL-D-200	4756	5104	5417	5730	6043	6391	6704	325
<b>Designers' Choice: Italian</b>									
Designers' Choice: Italian (Finish Group I, J, K)									
Round 1½" Dia.	STIR-D-112	5020	5431	5800	6168	6537	6947	7315	383
Round 2" Dia.	STIR-D-200	5034	5452	5828	6203	6578	6996	7371	389
Square 1½" Dia.	STIQ-D-112	5028	5445	5820	6196	6571	6989	7364	389
Square 2" Dia.	STIQ-D-200	5042	5465	5848	6231	6613	7037	7420	397
Designers' Choice: Italian (Finish Group L)									
Round 1½" Dia.	STIR-D-112	5522	5974	6380	6785	7191	7641	8047	421
Round 2" Dia.	STIR-D-200	5537	5997	6410	6823	7236	7696	8109	428
Square 1½" Dia.	STIQ-D-112	5531	5990	6402	6816	7228	7687	8100	428
Square 2" Dia.	STIQ-D-200	5546	6011	6433	6854	7275	7741	8161	436
<b>Designers' Choice: Wood</b>									
Smooth 2" Dia.	STSM-D-200	4423	4738	5017	5297	5576	5891	6170	291
Smooth 2¼" Dia.	STSM-D-214	4423	4738	5017	5297	5576	5891	6170	291
Smooth 3" Dia.	STSM-D-300	4448	4776	5069	5362	5655	5982	6275	304
Fluted 2" Dia.	STWF-D-200	4423	4738	5017	5297	5576	5891	6170	291
Fluted 2¼" Dia.	STWF-D-214	4423	4738	5017	5297	5576	5891	6170	291
Fluted 3" Dia.	STWF-D-300	4448	4776	5069	5362	5655	5982	6275	304
<b>Number of Brackets Included:</b>		<b>3</b>	<b>4</b>	<b>4</b>	<b>4</b>	<b>5</b>	<b>5</b>	<b>5</b>	See Note*

\*Additional bracket will be included at 11', 14', 17', 20', 23', 26', and 29'. See pages 64-65 for bracket specifications.

Set prices shown include Glydea 60e RTS or DCT heavy duty motors.  
 For Irisimo 45 WireFree motors plus chargers, add \$190 to the set price.  
 For Irisimo 35 Mini DC or Glydea 35e motors, deduct \$100 from the set price.  
 If supplying motors, deduct \$1000 from the set price.  
 Please note your motor selection or if you are supplying motors on your order.

## Stationary Rod Front And Trav Fascia In Back

Includes 2 End Brackets and 2 End Caps for Back Traversing Fascia. Fascia will be 1¼"

Style	Set #	4 Feet	5 Feet	6 Feet	7 Feet	8 Feet	9 Feet	10 Feet	Additional Foot
<b>Designers' Choice: Iron</b>									
Round 1¼" Dia.	SSTA-ITRR-114	2304	2537	2743	2949	3155	3388	3595	239
Round 1½" Dia.	SSTA-ITRR-112	2307	2540	2747	2952	3158	3392	3598	242
Round 2" Dia.	SSTA-ITRR-200	2321	2560	2772	2985	3198	3438	3651	255
Round 3" Dia.	SSTA-ITRR-300	2477	2729	2955	3182	3408	3660	3886	277
Round Hammered 1¼" Diameter	SSTA-ITRH-114	2441	2688	2907	3127	3346	3593	3812	262
Round Hammered 1½" Diameter	SSTA-ITRH-112	2445	2691	2911	3130	3350	3596	3815	267
Round Hammered 2" Diameter	SSTA-ITRH-200	2459	2711	2937	3164	3389	3642	3869	280
Round Hammered 3" Diameter	SSTA-ITRH-300	2602	2868	3107	3346	3586	3852	4091	303
Square 1¼" Dia.	SSTA-ITSQ-114	2470	2710	2923	3136	3349	3587	3800	255
Square 1½" Dia.	SSTA-ITSQ-112	2474	2713	2926	3139	3552	3591	3803	258
Square 2" Dia.	SSTA-ITSQ-200	2493	2739	2959	3179	3398	3644	3864	272
<b>Designers' Choice: Italian</b>									
Designers' Choice: Italian (Finish Group I, J, K)									
Round 1¼" Dia.	SSTA-ICRR-114	2626	2908	3154	3400	3646	3928	4174	309
Round 1½" Dia.	SSTA-ICRR-112	2655	2937	3183	3429	3675	3957	4203	325
Round 2" Dia.	SSTA-ICRR-200	2678	2967	3220	3472	3725	4014	4267	335
Square 1¼" Dia.	SSTA-ICSQ-114	2652	2941	3194	3446	3699	3988	4241	316
Square 1½" Dia.	SSTA-ICSQ-112	2682	2970	3223	3475	3729	4017	4270	331
Square 2" Dia.	SSTA-ICSQ-200	2705	3000	3259	3520	3779	4074	4333	343
Designers' Choice: Italian (Finish Group L)									
Round 1¼" Dia.	SSTA-ICRR-114	2889	3199	3469	3740	4011	4320	4591	340
Round 1½" Dia.	SSTA-ICRR-112	2921	3230	3501	3772	4043	4353	4624	357
Round 2" Dia.	SSTA-ICRR-200	2946	3264	3542	3798	4098	4415	4693	369
Square 1¼" Dia.	SSTA-ICSQ-114	2918	3236	3513	3792	4069	4387	4666	347
Square 1½" Dia.	SSTA-ICSQ-112	2951	3267	3545	3823	4102	4419	4697	364
Square 2" Dia.	SSTA-ICSQ-200	2976	3300	3585	3871	4157	4482	4767	377
<b>Designers' Choice: Wood</b>									
Smooth 2" Dia.	SSTA-STSM-200	2463	2735	2980	3226	3472	3744	3989	255
Smooth 2¼" Dia.	SSTA-STSM-214	2463	2735	2980	3226	3472	3744	3989	257
Smooth 3" Dia.	SSTA-STSM-300	2685	3015	3321	3625	3929	4260	4564	314
Fluted 2" Dia.	SSTA-STWF-200	2463	2735	2980	3226	3472	3744	3989	255
Fluted 2¼" Dia.	SSTA-STWF-214	2463	2735	2980	3226	3472	3744	3989	257
Fluted 3" Dia.	SSTA-STWF-300	2685	3015	3321	3625	3929	4260	4564	314
<b>Number of Brackets Included:</b>		<b>2</b>	<b>3</b>	<b>3</b>	<b>3</b>	<b>4</b>	<b>4</b>	<b>4</b>	See Note*

\*Additional brackets will be included at 11', 14', 17', 20', 23', 26', and 29'. See page 64-65 for bracket specifications.



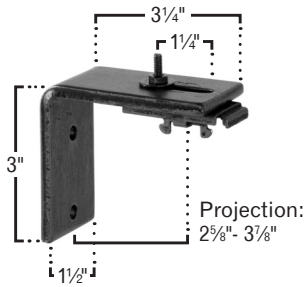
## Traversing with Somfy Accessories: Pages 55-57 of Catalog

Accessories & Charges	Product #	Unit	Price	Additional Information							
<b>Additional Traversing Glides</b>	<b>TRGL</b>	EACH	<b>2.50</b>	Specify Quantity in Order / Standard is Four per Foot							
<b>Strike Off Charge (net)</b>	<b>IASTRIKE</b>	EACH	<b>43</b>	One time strike off charge for custom finish							
<b>Miter with Return</b>											
<b>Designers' Choice: Iron</b>	<b>IT307MR</b>	EACH	<b>92</b>	Available in 3½", 4½", 6", and 7"							
<b>Designers' Choice: Italian</b>	<b>IC307MR</b>	EACH	<b>97</b>	Available in 3½", 4½", 6", and 7"							
<b>Designers' Choice: Wood</b>	<b>WT307MR</b>	EACH	<b>75</b>	Available in 3½", 4½", 6", and 7"							
"C" Ring Styles (Front Rod Only)	Product #	Unit	1½" Inner Diameter			2" Inner Diameter			2" & 2¼"	3"	
			Iron	Italian		Iron	Italian		Wood	Iron	Wood
				I, J, K	L		I, J, K	L			
<b>Round Iron "C" Rings</b>	<b>IT/IC350STR</b>	EACH	<b>16</b>	<b>20</b>	<b>24</b>	<b>17</b>	<b>22</b>	<b>26</b>	<b>N/A</b>	<b>19</b>	<b>N/A</b>
<b>Square Iron "C" Rings</b>	<b>IT/IC352STR</b>	EACH	<b>16</b>	<b>20</b>	<b>24</b>	<b>16</b>	<b>22</b>	<b>26</b>	<b>N/A</b>	<b>N/A</b>	<b>N/A</b>
<b>Round Hammered Iron "C" Rings</b>	<b>IT356STR</b>	EACH	<b>18</b>	<b>N/A</b>	<b>N/A</b>	<b>18</b>	<b>N/A</b>	<b>N/A</b>	<b>N/A</b>	<b>19</b>	<b>N/A</b>
<b>Smooth Wood "C" Rings</b>	<b>WT5047STR</b>	EACH	<b>N/A</b>	<b>N/A</b>	<b>N/A</b>	<b>N/A</b>	<b>N/A</b>	<b>N/A</b>	<b>19</b>	<b>N/A</b>	<b>24</b>
<b>Fluted Wood "C" Rings</b>	<b>WT5049STR</b>	EACH	<b>N/A</b>	<b>N/A</b>	<b>N/A</b>	<b>N/A</b>	<b>N/A</b>	<b>N/A</b>	<b>19</b>	<b>N/A</b>	<b>24</b>
Bend and Curve Charges	Product #	Unit	Price	Additional Information							
<b>Single Track Bend</b>	<b>ITBENDCRS</b>	EACH	<b>54</b>	Bend Single Traversing Set - Fascia with Traversing Track							
<b>Double Track Bend</b>	<b>ITBENDCRD</b>	EACH	<b>108</b>	Bend Double Traversing Set - Fascias with Traversing Tracks							
<b>Single Track Curve</b>	<b>ITBENDCVS</b>	FOOT	<b>38</b>	Curve Single Traversing Set - Fascia with Traversing Track							
<b>Double Track Curve</b>	<b>ITBENDCVD</b>	FOOT	<b>65</b>	Curve Double Traversing Set - Fascias with Traversing Tracks							
Control Accessories	Product #	Unit	Price	Additional Information							
<b>DecoFlex Table Top Acc., Silver</b>	<b>STTABLE-SL</b>	EACH	<b>78</b>	Wireless Switch Accessory - Silver							
<b>DecoFlex Table Top Acc., Black</b>	<b>STTABLE-BL</b>	EACH	<b>78</b>	Wireless Switch Accessory - Black							
<b>Cronis Comfort RTS Wireless Timer</b>	<b>CROWT</b>	EACH	<b>484</b>	Single Channel 7 Day Programmable Timer							
<b>Sunis Indoor Wireless RTS</b>	<b>SUNIS-SUN</b>	EACH	<b>530</b>	Sun Sensor							
<b>Thermosunis Indoor Wireless RTS</b>	<b>SUNIS-TMP</b>	EACH	<b>610</b>	Sun and Temperature Sensor							
<b>Telis 1 Chronis RTS</b>	<b>STRP1-SS</b>	EACH	<b>516</b>	Single Channel Zone Control & Programmable Timer - Silver Star							
<b>Telis 1 RTS Pure Transmitter</b>	<b>STRP1-PR</b>	EACH	<b>147</b>	Single Channel Remote Control - Pure							
<b>Telis 1 RTS Silver Transmitter</b>	<b>STRP1-SL</b>	EACH	<b>230</b>	Single Channel Remote Control - Silver							
<b>Telis 1 RTS Lounge Transmitter</b>	<b>STRP1-LO</b>	EACH	<b>230</b>	Single Channel Remote Control - Lounge							
<b>Telis 5 RTS Pure Transmitter</b>	<b>STRP5-PR</b>	EACH	<b>191</b>	Multi-Channel Remote Control - Pure							
<b>Telis 5 RTS Silver Transmitter</b>	<b>STRP5-SL</b>	EACH	<b>280</b>	Multi-Channel Remote Control - Silver							
<b>Telis 5 RTS Lounge Transmitter</b>	<b>STRP5-LO</b>	EACH	<b>280</b>	Multi-Channel Remote Control - Lounge							
<b>DecoFlex 1 Channel, White</b>	<b>STSW1-WH</b>	EACH	<b>343</b>	Single Channel Wireless Switch - White							
<b>DecoFlex 1 Channel, Ivory</b>	<b>STSW1-IV</b>	EACH	<b>343</b>	Single Channel Wireless Switch - Ivory							
<b>DecoFlex 1 Channel, Black</b>	<b>STSW1-BL</b>	EACH	<b>396</b>	Single Channel Wireless Switch - Black							
<b>DecoFlex 5 Channel, White</b>	<b>STSW5-WH</b>	EACH	<b>360</b>	Multi-Channel Wireless Switch - White							
<b>DecoFlex 5 Channel, Ivory</b>	<b>STSW5-IV</b>	EACH	<b>360</b>	Multi-Channel Wireless Switch - Ivory							
<b>DecoFlex 5 Channel, Black</b>	<b>STSW5-BL</b>	EACH	<b>415</b>	Multi-Channel Wireless Switch - Black							
<b>Somfy myLink™</b>	<b>STAPP</b>	EACH	<b>465</b>	Control Somfy motors through a smart phone or tablet. Consists of a simple plug-in device and free app. Does not replace a preprogrammed RTS control.							

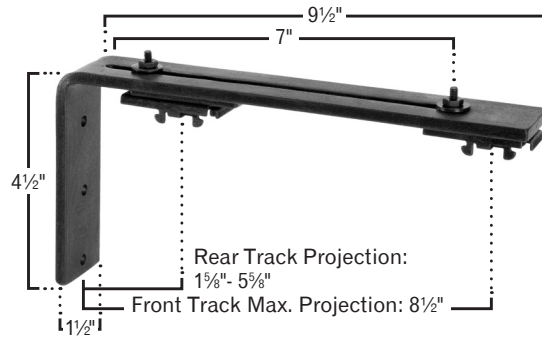
# Motorized Traversing Brackets: Page 57 of Catalog

Space between double traversing tracks is 2 7/8" - 6 3/4". See page 57 for Deco Lite Traversing brackets.

## Single End Bracket



## Double End Bracket



Iron/Wood  
IT1048EBSS

Italian  
IC1048EBSS  
Finish Group I,J,K    Finish Group L

\$24

\$39

\$46

Iron/Wood  
IT1049EBSD

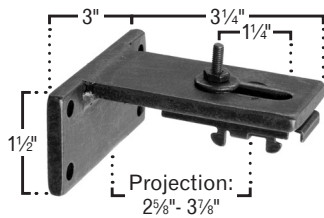
Italian  
IC1049EBSD  
Finish Group I,J,K    Finish Group L

\$32

\$43

\$52

## Single Support Bracket



## Double Support Bracket



Iron/Wood  
IT1050SBSS

Italian  
IC1050SBSS  
Finish Group I,J,K    Finish Group L

\$24

\$39

\$46

Iron/Wood  
IT1051BSD

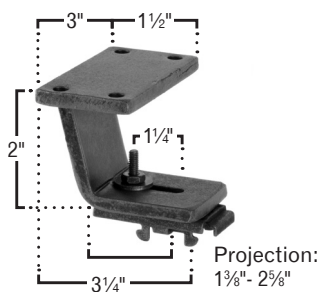
Italian  
IC1051BSD  
Finish Group I,J,K    Finish Group L

\$32

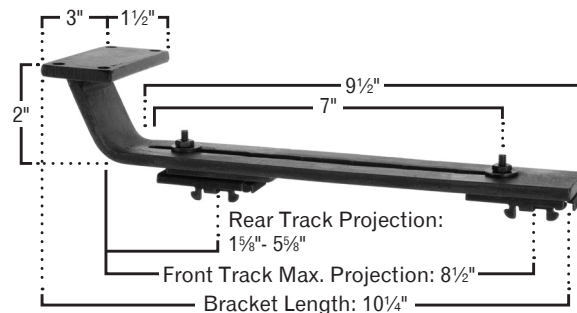
\$43

\$52

## Single Ceiling Bracket (for systems without rings)



## Double Ceiling Bracket (for systems without rings)



Iron/Wood  
IT1052CBSS-2

Italian  
IC1052CBSS-2  
Finish Group I,J,K    Finish Group L

\$24

\$40

\$47

Iron/Wood  
IT1053CBSD-2

Italian  
IC1053CBSD-2  
Finish Group I,J,K    Finish Group L

\$33

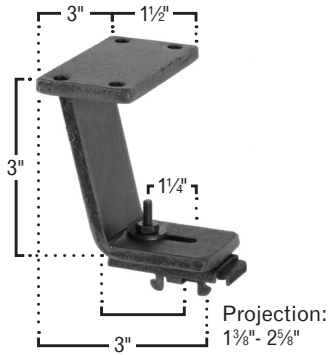
\$43

\$52

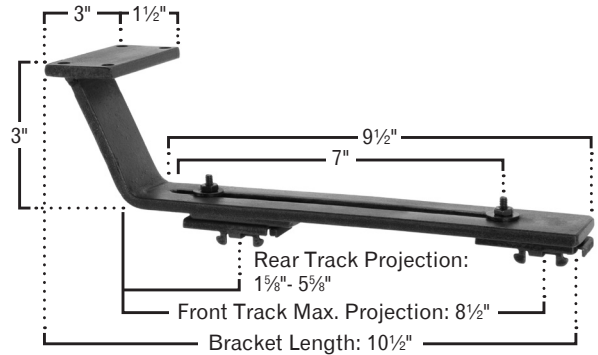
# Motorized Traversing Brackets: Page 57 of Catalog

Space between double traversing tracks is 2<sup>7</sup>/<sub>8</sub>" - 6<sup>3</sup>/<sub>4</sub>". See page 57 for Deco Lite Traversing brackets.

## Single Ceiling Bracket (for systems with rings)

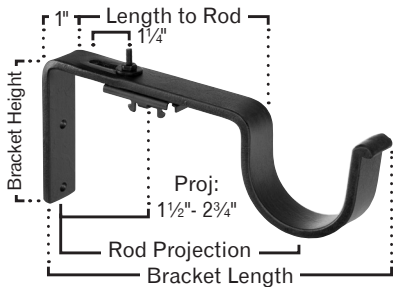


## Double Ceiling Bracket (for systems with rings)

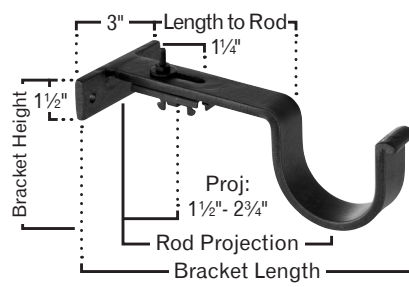


Iron/Wood IT1052CBSS-3	Italian IC1052CBSS-3	Iron/Wood IT1053CBSD-3	Italian IC1053CBSD-3
Finish Group I,J,K		Finish Group L	
\$24	\$40	\$33	\$52

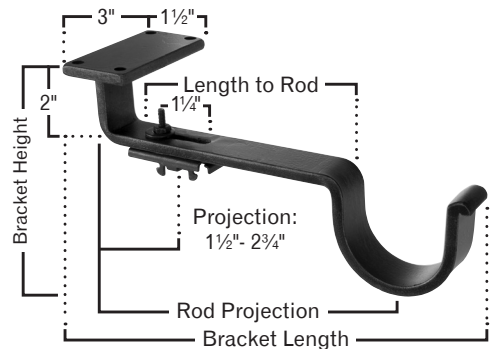
## Front Stationary / Rear Traversing End Bracket



## Front Stationary / Rear Traversing Support Bracket



## Front Stationary / Rear Traversing Ceiling Bracket



For 1 <sup>1</sup> / <sub>4</sub> " Rods 8 <sup>1</sup> / <sub>4</sub> "L x 4 <sup>1</sup> / <sub>2</sub> "H LENGTH TO POLE: 6 <sup>3</sup> / <sub>8</sub> " POLE PROJECTION: 7"	For 1 <sup>3</sup> / <sub>8</sub> " Poles 8 <sup>1</sup> / <sub>4</sub> "L x 4 <sup>1</sup> / <sub>2</sub> "H LENGTH TO POLE: 6 <sup>3</sup> / <sub>8</sub> " POLE PROJECTION: 7"	For 1 <sup>1</sup> / <sub>4</sub> " Rods 8 <sup>1</sup> / <sub>4</sub> "L x 1 <sup>1</sup> / <sub>2</sub> "H LENGTH TO POLE: 6 <sup>3</sup> / <sub>8</sub> " POLE PROJECTION: 7"	For 1 <sup>3</sup> / <sub>8</sub> " Poles 8 <sup>1</sup> / <sub>4</sub> "L x 1 <sup>3</sup> / <sub>4</sub> "H LENGTH TO POLE: 6 <sup>3</sup> / <sub>8</sub> " POLE PROJECTION: 7"	For 1 <sup>1</sup> / <sub>4</sub> " Rods 8 <sup>1</sup> / <sub>4</sub> "L x 3 <sup>1</sup> / <sub>4</sub> "H LENGTH TO POLE: 6 <sup>3</sup> / <sub>8</sub> " POLE PROJECTION: 7"	For 1 <sup>3</sup> / <sub>8</sub> " Poles 8 <sup>1</sup> / <sub>4</sub> "L x 3 <sup>3</sup> / <sub>8</sub> "H LENGTH TO POLE: 6 <sup>3</sup> / <sub>8</sub> " POLE PROJECTION: 7"
For 1 <sup>1</sup> / <sub>2</sub> " Rods 8 <sup>5</sup> / <sub>8</sub> "L x 4 <sup>1</sup> / <sub>2</sub> "H LENGTH TO POLE: 6 <sup>1</sup> / <sub>4</sub> " POLE PROJECTION: 7"	For 2" Rods 8 <sup>5</sup> / <sub>8</sub> "L x 4 <sup>1</sup> / <sub>2</sub> "H LENGTH TO POLE: 6" POLE PROJECTION: 7 <sup>1</sup> / <sub>8</sub> "	For 1 <sup>1</sup> / <sub>2</sub> " Rods 8 <sup>5</sup> / <sub>8</sub> "L x 1 <sup>3</sup> / <sub>4</sub> "H LENGTH TO POLE: 6 <sup>1</sup> / <sub>4</sub> " POLE PROJECTION: 7"	For 2" Rods 8 <sup>5</sup> / <sub>8</sub> "L x 2 <sup>1</sup> / <sub>4</sub> "H LENGTH TO POLE: 6" POLE PROJECTION: 7 <sup>1</sup> / <sub>8</sub> "	For 1 <sup>1</sup> / <sub>2</sub> " Rods 8 <sup>5</sup> / <sub>8</sub> "L x 3 <sup>1</sup> / <sub>2</sub> "H LENGTH TO POLE: 6 <sup>1</sup> / <sub>4</sub> " POLE PROJECTION: 7"	For 2" Rods 8 <sup>5</sup> / <sub>8</sub> "L x 4"H LENGTH TO POLE: 6" POLE PROJECTION: 7"
For 2 <sup>1</sup> / <sub>4</sub> " Poles 8 <sup>3</sup> / <sub>4</sub> "L x 4 <sup>1</sup> / <sub>2</sub> "H LENGTH TO POLE: 5 <sup>7</sup> / <sub>8</sub> " POLE PROJECTION: 7 <sup>1</sup> / <sub>8</sub> "	For 3" Rods 10 <sup>1</sup> / <sub>8</sub> "L x 5"H LENGTH TO POLE: 6 <sup>1</sup> / <sub>2</sub> " POLE PROJECTION: 8 <sup>1</sup> / <sub>4</sub> "	For 2 <sup>1</sup> / <sub>4</sub> " Poles 8 <sup>3</sup> / <sub>4</sub> "L x 2 <sup>1</sup> / <sub>2</sub> "H LENGTH TO POLE: 5 <sup>7</sup> / <sub>8</sub> " POLE PROJECTION: 7 <sup>1</sup> / <sub>8</sub> "	For 3" Rods 10 <sup>1</sup> / <sub>8</sub> "L x 3 <sup>3</sup> / <sub>8</sub> "H LENGTH TO POLE: 6 <sup>1</sup> / <sub>2</sub> " POLE PROJECTION: 8 <sup>1</sup> / <sub>4</sub> "	For 2 <sup>1</sup> / <sub>4</sub> " Poles 8 <sup>3</sup> / <sub>4</sub> "L x 4 <sup>1</sup> / <sub>2</sub> "H LENGTH TO POLE: 5 <sup>7</sup> / <sub>8</sub> " POLE PROJECTION: 7"	For 3" Rods 10 <sup>1</sup> / <sub>8</sub> "L x 5"H LENGTH TO POLE: 6 <sup>1</sup> / <sub>2</sub> " POLE PROJECTION: 8"

Iron/Wood IT1054EBS	Italian IC1054EBS	Iron/Wood IT1055SBS	Italian IC1055SBS	Iron/Wood IT1056CBS	Italian IC1056CBS
Finish Group I,J,K		Finish Group L		Finish Group I,J,K	
\$44	\$57	\$44	\$57	\$46	\$59

Front Stationary / Rear Traversing Brackets Accommodate 1<sup>1</sup>/<sub>4</sub>" Diameter Iron or 1<sup>3</sup>/<sub>8</sub>" Diameter Wood Traversing Fascias.

## Traversing with Somfy - Motors: Page 56

Motor Name	<b>Irismo 35 Mini DC RTS</b>	<b>Irismo 35 Mini DC DCT</b>	<b>Irismo 45 WireFree RTS*</b>
Part #	1002952	1002951	1002353
<b>Orion Item #</b>	<b>SMTR35MRTS</b>	<b>SMTR35MDCT</b>	<b>SMTR45WRTS</b>
<b>Price</b>	<b>\$1021</b>	<b>\$1021</b>	<b>\$1021</b>
<b>MOTOR UNIT MAIN FEATURES</b>			
Soft Start / Stop	Yes	Yes	Yes
Manual Operation	Yes	Yes	Yes
Automatic Limits on End Stop	Yes	Yes	Yes
Intermediate Position	Yes	Yes	Yes
Touch Motion with 2 Sensitivity Settings	Yes	Yes	Yes
Adjustable Limits	Yes	Yes	Yes
Speed Control & Adjustment	Yes	Yes	Yes
<b>CONTROL OPTIONS</b>			
Dry Contact Indiv., Group & Master Control	Yes	Yes	No
Radio Technology Somfy RTS	Yes	No	Yes
Infrared	Yes	Using Universal RTS Interface (URTSII)	Using Universal RTS Interface (URTSII)
RS485 Digital Technology	Using Universal RTS Interface (URTSII)	Using Universal RTS Interface (URTSII)	Using Universal RTS Interface (URTSII)
Z-Wave	Future Option	Future Option	No
ZigBee	Future Option	Future Option	No
Tandem Alternative	Yes	Yes	Yes
Sun Control	Yes	Yes	Yes
Timer Control	Yes	Yes	Yes
<b>INSTALLATION AND SETTING FEATURES</b>			
Settings with Buttons on Motor Unit	Yes	No	No
Setting with Normally Open Dry Contact	Yes	Yes	No
LED Indicators	Yes	Yes	Yes
Motor Unit Direction Change	Yes	Yes	Yes
Factory Reset	Yes	Yes	Yes
Inverse Mounting (Top Mount)	Yes	Yes	Yes
<b>TRACKS/DRAPERY TYPES</b>			
Left Stack, Right Stack, Center Open	Yes	Yes	Yes
Asymmetric	Yes	Yes	Yes
Multiple	Yes	Yes	Yes
Pinch Pleat / RippleFold	Yes	Yes	Yes
<b>MOTORIZED TRACK MAIN CHARACTERISTICS</b>			
Power Supply	24V DC	24V DC	26.5V LI-ION Battery
Amperage	2A	2A	2950 mAh
Average Linear Speed (No Load)	87.5 RPM	87.5 RPM	87.5 RPM
Power Consumption	< 3 W	< 3 W	N/A
Power Cable	13.2 ft (4 m)	13.2 ft (4 m)	N/A
Control Connector Type	RJ12	RJ12	N/A
DCT Control Circuit Voltage	5V DC	5V DC	N/A
Motor Sound Level	<44 dBA	<44 dBA	<44 dBA
Certifications	CE	CE	c TUV us, CE
Minimum Bending Radius	11.8 in (30 cm)	11.8 in (30 cm)	11.8 in (30 cm)
Minimum Curving Radius	118 in (300 cm)	118 in (300 cm)	118 in (300 cm)
Width	3.66 in (93 mm)	3.66 in (93 mm)	3.66 in (93 mm)
Height	8.27 in (210 mm)	8.27 in (210 mm)	12.1 in (308 mm)
Depth	2.08 in (53 mm)	2.08 in (53 mm)	2.08 in (53 mm)
Max Weight	77 lbs (35 kg)	77 lbs (35 kg)	99 lbs (45 kg)

<b>45 WireFree Accessories</b>	<b>Part #</b>	<b>Orion Item #</b>	<b>Price</b>	<b>Notes</b>
<b>45 WireFree Charger</b>	1002945	<b>SMTR45WCHG</b>	<b>\$160</b>	
<b>45 WireFree Lithium Ion Battery</b>	9019741	<b>SMTR45WBAT</b>	<b>\$490</b>	Extra Battery Height: 3.85", Width: 3.66", Depth: 2.08"



## Italian Collection: Ordering Information

1. The Italian Collection is available in finish I: Brushed Nickel, Finish J: Polished Chrome, and Finish K: Black Nickel, Oiled Bronze, Satin Copper, and Satin Gold for ¾", 1", and 1¼" Round or Square Hollow Rods only. For 1½" and 2", please call for quote.
2. Standard elbows are available at 45° and 90°. For other angles, please add #7041 as a custom angle charge.
3. Rods can be spliced together to provide any length using a rod connector. Please add Product #300 to the order.
4. **Iron rods are available in 10' (120") lengths without a splice.** By default, we splice any iron rod over 8'10" (106") to save on shipping charges using FedEx. Rods not specified as one piece in the order will be spliced in the center, unless a splice location is otherwise noted. Anything over 8'10" (106") must be shipped by common carrier (truck line). Please note residential truck deliveries are restricted to 24' (288").

## Italian Collection (Metal Plated Hardware): Pages 58-61 of Catalog

Product #	Unit	Italian Finishes				Additional Information
		I	J	K	L	
300	EACH	20	20	20	24	Connector for Spliced Rods
7001	EACH	56	67	73	80	Interior Fit Only: Length: 1¾" Height: 1¼" Not Available for Traversing
7002	EACH	48	58	63	70	Interior Fit Only: Diameter: 1½" Not Available for Traversing
7003	EACH	61	73	78	87	Interior Fit Only: Diameter: 2" Available for Traversing
7004	EACH	46	56	61	67	Interior Fit Only: Length: 2" Height: 1½" Not Available for Traversing
7005	EACH	51	61	66	73	Interior Fit Only: Length: 2" Height: 1⅝" Not Available for Traversing
7005L	EACH	70	85	91	101	Interior Fit Only: Length: 3" Height: 1¾" Available for Traversing
7006	EACH	54	64	69	77	Interior Fit Only: Length: 2" Height: 1" Not Available for Traversing
7006L	EACH	76	90	98	108	Interior Fit Only: Length: 3" Height: 1¾" Available for Traversing
7007V-S-RND/SQ	FOOT	68	80	87	97	Single Rod with Returns / Includes Vertical Plates / Maximum Length: 106" / Available in ¾", 1" and 1¼" Diameter. See measurement guidelines on page 32.
7007R-S-RND/SQ	FOOT	68	80	87	97	Single Rod with Returns / Includes Round Sockets / Maximum Length: 106" / Available in ¾", 1" and 1¼" Diameter. See measurement guidelines on page 32.
7007V-D-RND/SQ	FOOT	104	122	132	146	Double Rod with Returns / Includes Vertical Plates and Straight Rod in back / Maximum Length: 106" / Available in ¾", 1" and 1¼" Diameter. See measurement guidelines on page 32.
7007R-D-RND/SQ	FOOT	104	122	132	146	Double Rod with Returns / Includes Round Sockets and Straight Rod in back / Maximum Length: 106" / Available in ¾", 1" and 1¼" Diameter. See measurement guidelines on page 32.
7009-RND/SQ	EACH	31	37	41	45	Elbow / Specify Interior or Exterior Fit and Angle
7010-RND/SQ	EACH	8	9	10	11	Half Open Socket
7011-RND/SQ	EACH	8	9	10	11	Full Socket
7010-11-RND/SQ	PAIR	16	18	20	24	Pair of Half Open Socket and Full Socket; Round or Square
7012	EACH	11	13	14	15	Round Ring with Clip / Available with the following Interior Diameters: 1", 1¼", 1½", and 1¾"
7013	EACH	11	13	14	15	Round Ring / Available with the following Interior Diameters: 1", 1¼", 1½", and 1¾"
7014-RND/SQ	EACH	48	57	63	68	Bracket with 3" Projection
7014HD-RND/SQ	FOOT	51	59	64	72	Bracket Heavy Gauge with 3" Projection.
7014HP-RND/SQ	EACH	48	57	63	68	Bracket with 3" Projection and Horizontal Back Plate
7015-RND/SQ	EACH	52	62	67	74	Bracket with 6" Projection
7015HP-RND/SQ	EACH	52	62	67	74	Bracket with 6" Projection and Horizontal Back Plate
7016-RND/SQ	EACH	19	22	24	26	End Cap
7017	EACH	90	109	118	131	Corner Bracket / Only Available as Exterior Fit
7018	EACH	98	118	128	141	Movable Elbow / Interior Fit Only
7018-H	EACH	105	121	141	145	Movable Elbow Hinged/ Interior Fit Only

## Italian Collection (Metal Plated Hardware): Pages 58-61 of Catalog (continued)

Product #	Unit	Italian Finishes				Additional Information
		I	J	K	L	
7019	FOOT	24	29	31	34	¾" Round Rod / Maximum Length for a Single Piece: 120"
7020	FOOT	32	39	42	46	1" Round Rod / Maximum Length for a Single Piece: 120"
7021	FOOT	24	29	31	24	¾" Square Rod / Maximum Length for a Single Piece: 120"
7022	FOOT	32	39	42	46	1" Square Rod / Maximum Length for a Single Piece: 120"
7023	FOOT	40	48	52	58	1¼" Round Rod / Maximum Length for a Single Piece: 120"
7024	FOOT	40	48	52	58	1¼" Square Rod / Maximum Length for a Single Piece: 120"
7025	FOOT	48	56	60	66	1½" Round Hollow Rod / Maximum Length for a Single Piece: 120"
7026	FOOT	56	64	68	74	2" Round Hollow Rod / Maximum Length for a Single Piece: 120"
7035-RND/SQ	EACH	31	37	41	45	Single Rod Ceiling Mount Bracket
7036-RND	EACH	43	52	57	62	Double Rod Ceiling Mount Bracket
7038	EACH	80	96	105	114	3" Projection Eyelet Bracket
7039	EACH	101	121	132	145	6" Projection Eyelet Bracket
7040-RND/SQ	EACH	72	86	94	103	Double Bracket / 3" and 6" Projections
7041	EACH	99	99	99	119	Custom Elbow Angle Change
7102BD	EACH	29	29	29	34	Rod Bending - ¾" to 1¼" Diameter Rods
7103CV	FOOT	33	33	33	40	Rod Curve - ¾" to 1¼" Diameter Rods
7187	EACH	52	57	62	68	"U" Shape Bend Charge for Finials: 3½" Projection
7188	EACH	52	57	62	68	Expandable Post Projection: 3"-4½" Projection (Finials Extra)
7188FX-300	EACH	55	60	65	72	Fixed Post Projection with Mounting Plate Charge for Finials: 3"P
7188FX-400	EACH	55	60	65	72	Fixed Post Projection with Mounting Plate Charge for Finials: 4"P
7188FX-650	EACH	55	60	65	72	Fixed Post Projection with Mounting Plate Charge for Finials: 6½"P
7321	EACH	32	39	42	46	Decorative Cap / Interior Fit / For Round Hollow Rods
7352	EACH	12	15	17	19	Square Ring / Available with the following Interior Dimensions: 1" x 1½", 1¼" x 1¾", and 1½" x 2"
7014SE	EACH	55	65	70	78	Unique Collection Single End Bracket / 3" Projection
7015SE	EACH	63	75	81	90	Unique Collection Single End Bracket / 6" Projection
7040DE	EACH	74	88	96	106	Unique Collection Double End Bracket / 3" and 6" Projections
7318-3P	EACH	52	62	67	74	Unique Collection Single Support Bracket / 3" Projection
7318HP-3P	EACH	52	62	67	74	Unique Collection Single Horizontal Backplate Support Bracket / 3" Proj.
7318-6P	EACH	57	68	75	81	Unique Collection Single Support Bracket / 6" Projection
7319	EACH	63	75	81	90	Unique Collection Double Support Bracket / 3" and 6" Projections
7330C	EACH	11	13	14	15	Unique Collection "C" Ring to Match Rod Size See Page 26 for Details

## Italian Collection (Finials with Wood Insert; Available in 3 Finishes) - Page 59 of Catalog

7070*	EACH	70	85	91	101	Length: 3¾" Height: 1" Not Available for Traversing
7070L*	EACH	74	89	96	107	Length: 3¾" Height: 1⅜" Not Available for Traversing
7071*	EACH	70	85	91	101	Length: 3⅜" Height: 1" Not Available for Traversing
7071L*	EACH	74	89	96	107	Length: 3¾" Height: 1⅜" Not Available for Traversing
7072*	EACH	70	85	91	101	Length: 3⅜" Height: 1" Not Available for Traversing
7072L*	EACH	74	89	96	107	Length: 3¾" Height: 1⅜" Not Available for Traversing

\* Available while supply last.

## Italian Collection: Baton 1014 - Page 60 of Catalog

Italian Finish	Unit	Price per Length				
		12"-24"	25"-48"	49"-72"	73"-84"	85"-108"
I	EACH	68	81	107	132	163
J	EACH	81	98	128	158	195
K	EACH	88	106	139	172	211
L	EACH	98	118	153	190	233

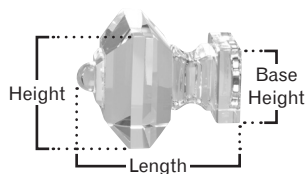
## Bohemia Collection: Ordering Information

- All finials are available to fit  $\frac{3}{4}$ ", 1", and  $1\frac{1}{4}$ " round and square hollow rods, and  $1\frac{1}{2}$ " traversing rods. Select finials are available to fit 2" round and square hollow rods, and 2" traversing rods.
  - Finials are available as interior fit **ONLY**.
  - Rod finishes are available in 35 Iron Art™ finishes, 6 Italian Collection finishes, or your own custom finish.
- Finials are shipped in custom boxes to ensure high quality protection.
- All finials are available as tiebacks.

## Bohemia Collection: Pages 62-65 of Catalog

Product #	Unit	Price	Length	Height	Base Height	Rods	Product #	Unit	Price	Length	Height	Base Height	Rods
763	EACH	73	1 $\frac{1}{8}$ "	3 $\frac{1}{4}$ "	3 $\frac{1}{4}$ "	● ★	778	EACH	75	1 $\frac{1}{4}$ "	2 $\frac{3}{8}$ "	1 $\frac{1}{2}$ "	●
764	EACH	88	3 $\frac{5}{8}$ "	2 $\frac{1}{2}$ "	1 $\frac{5}{8}$ "	● ★	779	EACH	83	1 $\frac{1}{2}$ "	3 $\frac{1}{8}$ "	1 $\frac{5}{8}$ "	● ★
765	EACH	90	3 $\frac{3}{8}$ "	2 $\frac{3}{8}$ "	1 $\frac{1}{2}$ "	●	780	EACH	88	3"	3 $\frac{1}{8}$ "	1 $\frac{5}{8}$ "	● ★
766	EACH	70	1 $\frac{1}{2}$ "	2 $\frac{3}{8}$ "	2"	●	781	EACH	70	2 $\frac{1}{8}$ "	2 $\frac{3}{8}$ "	1 $\frac{5}{8}$ "	● ★
767	EACH	73	3 $\frac{1}{4}$ "	2"	2"	●	782	EACH	90	2 $\frac{7}{8}$ "	2 $\frac{3}{4}$ "	1 $\frac{5}{8}$ "	● ★
768	EACH	80	1 $\frac{7}{8}$ "	2 $\frac{1}{2}$ "	1 $\frac{5}{8}$ "	●	783	EACH	73	1 $\frac{7}{8}$ "	2"	2"	● ★
769	EACH	73	3 $\frac{3}{8}$ "	2 $\frac{3}{8}$ "	1 $\frac{3}{4}$ "	●	784	EACH	99	2 $\frac{3}{8}$ "	2 $\frac{7}{8}$ "	2 $\frac{7}{8}$ "	● ★
770	EACH	99	3 $\frac{5}{8}$ "	2 $\frac{1}{2}$ "	2 $\frac{1}{2}$ "	● ★	785	EACH	78	2 $\frac{1}{2}$ "	1 $\frac{1}{2}$ "	1 $\frac{1}{2}$ "	●
771	EACH	78	2 $\frac{3}{8}$ "	2 $\frac{1}{4}$ "	1 $\frac{5}{8}$ "	● ★	786	EACH	88	3"	2 $\frac{3}{8}$ "	2 $\frac{3}{8}$ "	● ★
772	EACH	88	2 $\frac{3}{4}$ "	2 $\frac{3}{8}$ "	1 $\frac{3}{4}$ "	● ★	787	EACH	86	3 $\frac{1}{2}$ "	2"	2"	● ★
773	EACH	88	2 $\frac{3}{4}$ "	2 $\frac{3}{8}$ "	1 $\frac{5}{8}$ "	● ★	788	EACH	86	3 $\frac{1}{2}$ "	2"	2"	● ★
774	EACH	80	2"	2 $\frac{3}{4}$ "	1 $\frac{1}{2}$ "	● ★	789	EACH	68	$\frac{3}{4}$ "	2"	2"	●
775	EACH	99	2 $\frac{3}{4}$ "	2 $\frac{1}{2}$ "	1 $\frac{1}{2}$ "	● ★	790	EACH	68	$\frac{3}{4}$ "	2"	2"	●
776	EACH	88	2 $\frac{3}{8}$ "	3 $\frac{1}{8}$ "	2"	● ★	791	EACH	88	3 $\frac{5}{8}$ "	3 $\frac{5}{8}$ "	2"	● ★
777	EACH	94	3"	2 $\frac{3}{4}$ "	2"	● ★	792	EACH	88	3 $\frac{3}{4}$ "	3 $\frac{1}{4}$ "	2"	● ★

### Dimensions



### Iron Rod Diameters

- $\frac{3}{4}$ ", 1", and  $1\frac{1}{4}$ " Round and Square Hollow Rods and  $1\frac{1}{2}$ " Traversing Rods
- ★ 2" Round and Square Hollow Rods and 2" Traversing Rods



# Wood Art™ by ORION

Our Wood Art™ collection was introduced to expand the hardware options we offered designers, adding the classic elegance of wood to our drapery hardware selection. Wood Art™ is a beautiful, versatile group that will enhance any designer's imaginative repertoire.

Crystal, wood, and resin finials designed to fit 1 3/8", 2", 2 1/4", or 3" poles are offered in a range of styles that will blend with or complement any décor. All are available in 35 Iron Art™ and 11 Wood Art™ finishes, as well as your own custom finish.

Wood Art™ features wood poles in smooth or fluted designs. There are two wood bracket styles and two wood ring styles to choose from. All our wood poles are also available with manual or motorized traversing.

Interested in an iron-wood fusion solution? Mix iron and wood together for a truly original look. Iron finials, rings, and brackets can all be incorporated for a one of a kind design.

## Bohemia On Wood Collection: Ordering Information

1. All finials are available to fit 1 3/8" wood poles.

Select finials are available to fit 2" and 2 1/4" wood poles, and 2" and 2 1/4" wood traversing poles.

a. Finials screw in for wood poles with a round metal adaptor finished to match the pole.

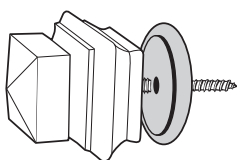
b. Pole finishes are available in 35 Iron Art™ finishes, 11 Wood Art™ finishes, or your own custom finish.

2. Finials are shipped in custom boxes to ensure high quality protection.

3. All finials are available as tiebacks.

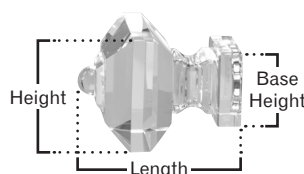
## Bohemia On Wood Collection: Pages 68-71 of Catalog

Product #	Unit	Price	Length	Height	Base Height	Poles	Product #	Unit	Price	Length	Height	Base Height	Poles
763	EACH	73	1 1/8"	3 1/4"	3 1/4"	● ★	775	EACH	99	2 3/4"	2 1/2"	1 1/2"	● ★
764	EACH	88	3 5/8"	2 1/2"	1 5/8"	● ★	776	EACH	88	2 3/8"	3 1/8"	2"	● ★
765	EACH	90	3 3/8"	2 3/8"	1 1/2"	●	777	EACH	94	3"	2 3/4"	2"	● ★
766	EACH	70	1 1/2"	2 3/8"	2"	●	778	EACH	75	1 1/4"	2 3/8"	1 1/2"	●
767	EACH	73	3 1/4"	2"	2"	●	779	EACH	83	1 1/2"	3 1/8"	1 5/8"	● ★
768	EACH	80	1 7/8"	2 1/2"	1 5/8"	●	781	EACH	70	2 1/8"	2 3/8"	1 5/8"	● ★
769	EACH	73	3 3/8"	2 3/8"	1 3/4"	●	782	EACH	90	2 7/8"	2 3/4"	1 5/8"	● ★
770	EACH	99	3 5/8"	2 1/2"	2 1/2"	● ★	787	EACH	86	3 1/2"	2"	2"	● ★
771	EACH	78	2 3/8"	2 1/4"	1 5/8"	● ★	788	EACH	86	3 1/2"	2"	2"	● ★
772	EACH	88	2 3/4"	2 3/8"	1 3/4"	● ★	790	EACH	68	3/4"	2"	2"	●
773	EACH	88	2 3/4"	2 3/8"	1 5/8"	● ★	791	EACH	88	3 5/8"	3 5/8"	2"	● ★
774	EACH	80	2"	2 3/4"	1 1/2"	● ★	792	EACH	88	3 3/4"	3 1/4"	2"	● ★



Bohemia Crystals are disassembled from their metal adaptor bases (which are welded to a screw for installing into wood). Orion wood poles are pre-drilled. Just screw the crystal into the metal adaptor base, and the metal adaptor base into the wood pole, and you are set for installation.

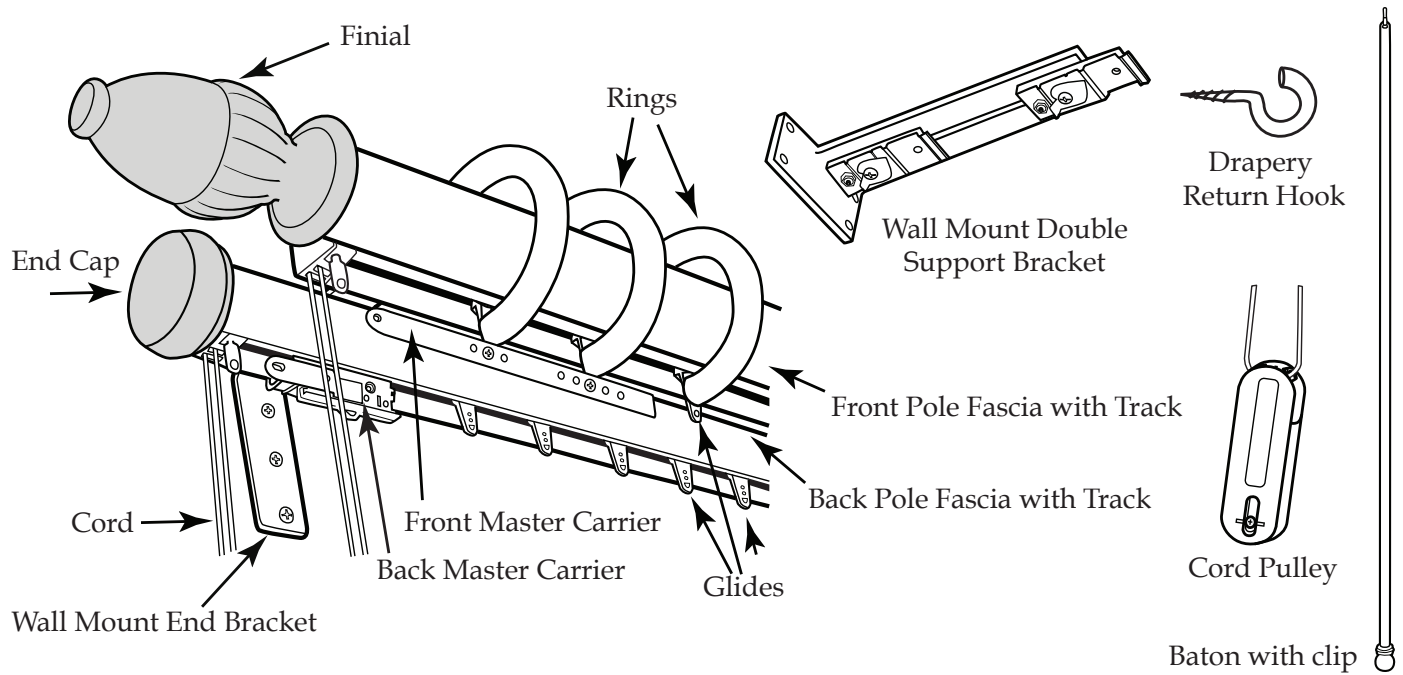
### Dimensions



### Wood Pole Diameters

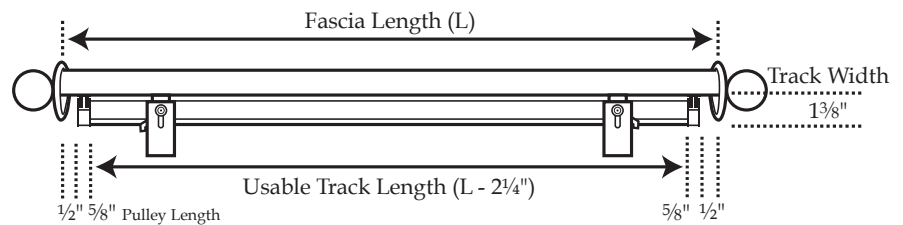
- 1 3/8" Diameter Poles
- ★ 2" and 2 1/4" Diameter Poles & 2" and 2 1/2" Traversing Poles

# DESIGNERS' CHOICE WOOD TRAVERSING POLES



## MEASUREMENT GUIDELINES

- Please specify fascia length when ordering.
- Usable Track length will be 2 1/4" shorter than fascia length. (L - 2 1/4")



## Wood Traversing Systems

*Traversing Systems designed to meet all of the custom needs of interior designers.*

- Single or Double Systems with Wood Fascia.
- Up to 30 Feet in Length.
- Heavy Duty Track and Accessories Automatically Included.
- End and Support Brackets in Iron Customized for Heavy Duty Applications.
- Wall Mount or Ceiling Mount Brackets with Expandable Projections.
- Front Track with or without Rings.
- Back Pole in Double Traverse System Includes End Caps (Finished) and 1 3/8" Diameter Wood Fascia to Match Front Pole Style.
- Cord Draw or Baton Draw.
- Five Finishes for Traversing Tracks:  
Antique Bronze, Black, Gold, Silver, and White.
- Pinch Pleat or RippleFold.
- Track Color Coordinating Pinch Pleat Glides for Systems with Rings.  
Pinch Pleat Without Rings and RippleFold Glides are White.
- 11 Wood Art™ or 35 Iron Art™ Finishes for Pole Fascia, Finials, Rings, Brackets & End Caps (Back Pole Fascia Only).
- Custom Finishes Available.
- Pole Styles and Diameters:  
Round: 2", 2 1/4", and 3"  
Fluted: 2", 2 1/4", and 3"
- Select Finials from New York Wood, Rosina, Wood Craft, Bohemia, or Iron Collections.
- Miter Return Available.
- Heavy Duty Packaging.
- Shipped in 15 Business Days.

## Designers' Choice Set Guide: Iron Bracket, Glide, and Ring Quantities

Product	Unit	QTY	Product	Unit	QTY
<b>Iron End Brackets</b> Single Bracket Back Plate: H 3 1/4" W 1 1/2" Double Bracket Back Plate: H 4 1/2" W 1 1/2"	SET	2	<b>Rings (Front Rod Only)</b> Including Master Carriers <i>Rings are an additional cost</i>	FOOT	4
<b>Glides - Including Master Carrier</b>	FOOT	4			

See pages 65 for traversing with Somfy Motorization.

## Designers' Choice Wood Traversing Poles: Ordering Information

- Sets automatically include: pole fascia, heavy duty tracks, glides, master carriers\*, cords, and cord pulleys\*\*, drapery return hooks, two end brackets, support brackets as needed per length, and back pole end caps (for double poles only).
- Items sold separately: finials, rings (front pole with pinch pleat glides only), and batons.
- Pole set finishes: poles, brackets, return hooks, rings, master carriers, and batons are finished as per finish specified in order.
- Track finishes are available in Antique Bronze, Black, Gold, Silver, and White.
- Glides for pinch pleat systems with rings coordinate with the five track finishes. Pinch pleat glides for systems without rings and RippleFold glides are available in white. Pinch pleat glides are supplied four per foot.
- Please state fullness of 60%, 80%, 100%, or 120% when ordering RippleFold.
- Traversing poles come with or without rings on front poles with pinch pleat glides only. Back poles and RippleFold glides do not accommodate rings. Two stationary rings are placed on each end for center open systems, one ring is placed on the stack side for one-way draw systems.
- If desired, you may specify a baton drawn system. **Batons are sold separately.** Please see page 25 for Iron Art™ batons and page 78 for Wood Art™ batons.
- When ordering, include cord length (standard is 8'), cord placement (left or right), and draw (left stack, right stack, or center open).
- Please specify wall or ceiling mount end brackets when ordering. Due to limited clearance, we recommend using end caps as finials with ceiling mount brackets. Please contact customer service for a list of other finials which may be used.
- Traversing set pricing is rounded up to the next foot.
- Maximum fabric weight for a 16' track is 62 lbs. for the heavy duty traverse track (automatically provided in each set).
- All heavy duty tracks and wood poles (all diameters) are available in 16' (192") lengths without a splice, and up to 30' (360") with a splice. Please contact customer service for the availability of 19' (228") lengths without a splice.**
- We splice any center open traversing rod over 8'6" (102") to save on shipping charges using FedEx. (One-way draw is not spliced for FedEx.) Traversing systems not specified as one piece in the order will be spliced in the center, unless a splice location is otherwise noted. Anything specified as one piece and over these lengths is shipped by truck, and final shipping charges are given when the order is shipped. Please note residential truck deliveries are restricted to 24' (288").
- When ordering with miter returns, please add Product #WT307MR.  
The width entered should be the track measurement. Returns are available as 3½", 4½", 6", and 7".
- Custom finish: 25% additional charge. Please add a one time strike off charge (Product #IASTRIKE).

### Traversing Accessories: Pages 49 & 72 of Catalog

Accessories & Charges	Product #	Unit	Price	Additional Information	
Additional Traversing Glides	TRGL	EACH	2.50	Specify Quantity in Order / Standard is Four per Foot	
Additional Traversing Cord (white)	TRCR	FOOT	1.40	Specify Length in Order / Standard is Eight Feet	
Strike Off Charge (net)	IASTRIKE	EACH	43	One time strike off charge for custom finish	
Wood Miter with Return	WT307MR	EACH	75	Available in 3½", 4½", 6", and 7"	
"C" Ring Styles (Front Pole Only)	Product #	Unit	Price		Additional Information
			2" & 2¼" Inner Diameter	3" Inner Diameter	
Smooth Wood "C" Rings	WT5047TR	EACH	19	24	Specify Quantity in Order Standard is Four per Foot
Fluted Wood "C" Rings	WT5049TR	EACH	19	24	

See pages 50-51 for brackets.

\* Center open poles come with two master carriers, while one-way draw poles come with one. Front pole carriers each hold two rings.

\*\* Cord drawn traversing sets include cords and cord pulleys. Batons for baton drawn sets are sold separately.

\*\*\*Ceiling mount support brackets have a 2" drop for poles without rings, and a 3" drop for poles with rings.

## Single Traversing Sets: Page 72 of Catalog

(Add Finials, Rings, Accessories, and Miscellaneous Charges Where Applicable)

Style	Set #	4 Feet	5 Feet	6 Feet	7 Feet	8 Feet	9 Feet	10 Feet	Additional Foot
Track Only	ITTRACK-S	272	302	347	401	454	506	559	53
<b>Designers' Choice: Wood</b>									
Smooth 2" Dia.	WTRN-S-200	413	522	606	690	800	884	968	139
Smooth 2¼" Dia.	WTRN-S-214	413	522	606	690	800	884	968	139
Smooth 3" Dia.	WTRN-S-300	457	581	679	777	902	1000	1098	153
Fluted 2" Dia.	WTFL-S-200	413	522	606	690	800	884	968	139
Fluted 2¼" Dia.	WTFL-S-214	413	522	606	690	800	884	968	139
Fluted 3" Dia.	WTFL-S-300	471	596	693	791	916	1014	1113	153

## Double Traversing Sets: Page 73 of Catalog

(Add Finials, Rings, Accessories, and Miscellaneous Charges Where Applicable)

Style	Set #	4 Feet	5 Feet	6 Feet	7 Feet	8 Feet	9 Feet	10 Feet	Additional Foot
Track Only	ITTRACK-D	581	707	834	961	1089	1216	1343	127
<b>Designers' Choice: Wood</b>									
Smooth 2" Dia.	WTRN-D-200	608	770	897	1022	1185	1310	1436	195
Smooth 2¼" Dia.	WTRN-D-214	608	770	897	1022	1185	1310	1436	195
Smooth 3" Dia.	WTRN-D-300	646	815	948	1083	1239	1382	1525	228
Fluted 2" Dia.	WTFL-D-200	608	770	897	1022	1185	1310	1436	195
Fluted 2¼" Dia.	WTFL-D-214	608	770	897	1022	1185	1310	1436	195
Fluted 3" Dia.	WTFL-D-300	646	815	948	1083	1239	1382	1525	228

## Stationary Rod Front And Trav Fascia In Back

Includes 2 End Brackets and 2 End Caps for Back Traversing Fascia. Fascia will be 1⅜"

Style	Set #	4 Feet	5 Feet	6 Feet	7 Feet	8 Feet	9 Feet	10 Feet	Additional Foot
<b>Designers' Choice: Wood</b>									
Smooth 2" Dia.	STA-WTRN-200	677	825	945	1065	1213	1333	1453	175
Smooth 2¼" Dia.	STA-WTRN-214	677	825	945	1065	1213	1333	1453	175
Smooth 3" Dia.	STA-WTRN-300	959	1083	1181	1279	1404	1502	1601	234
Fluted 2" Dia.	STA-WTFL-200	677	825	945	1065	1213	1333	1453	175
Fluted 2¼" Dia.	STA-WTFL-214	677	825	945	1065	1213	1333	1453	175
Fluted 3" Dia.	STA-WTFL-300	959	1083	1181	1279	1404	1502	1601	234
<b>Number of Brackets Included:</b>		<b>2</b>	<b>3</b>	<b>3</b>	<b>3</b>	<b>4</b>	<b>4</b>	<b>4</b>	See Note*

\*Additional brackets will be included at 11', 14', 17', 20', 23', 26', and 29'. See page 50-51 for bracket specifications.

See pages 58 for traversing with Somfy Motorization.

## Wood Craft Collection: Ordering Information

### The Wood Craft Collection available while supplies last.

1. The Wood Craft Collection is available to fit 1 $\frac{3}{8}$ ", 2", and 2 $\frac{1}{4}$ " wood poles in smooth and fluted styles.
2. Finials can be combined with iron rods.
3. Bracket #5070 is only available for a 2" wood pole.

## Wood Craft Collection (Hand Carved Wood Finials): Page 74 of Catalog

Product #	Unit	Iron Art Finishes				Wood Art Finishes		Custom Finish	Additional Information
		A	B	C	D	E	F		
5060	EACH	54	68	73	77	73	77	86	To Fit 1 $\frac{3}{8}$ " Diameter Poles
5061	EACH	52	65	70	74	70	74	83	To Fit 1 $\frac{3}{8}$ " Diameter Poles
5062	EACH	52	65	70	74	70	74	83	To Fit 1 $\frac{3}{8}$ " Diameter Poles
5063	EACH	52	65	70	74	70	74	83	To Fit 1 $\frac{3}{8}$ " Diameter Poles
5064	EACH	52	65	70	74	70	74	83	To Fit 1 $\frac{3}{8}$ " Diameter Poles
5065	EACH	52	65	70	74	70	74	83	To Fit 1 $\frac{3}{8}$ " Diameter Poles
5066	EACH	52	65	70	74	70	74	83	To Fit 1 $\frac{3}{8}$ " Diameter Poles
5067	EACH	52	65	70	74	70	74	83	To Fit 1 $\frac{3}{8}$ " Diameter Poles
5080	EACH	58	73	78	83	78	83	93	To Fit 2" and 2 $\frac{1}{4}$ " Diameter Poles
5081	EACH	58	73	78	83	78	83	93	To Fit 2" and 2 $\frac{1}{4}$ " Diameter Poles
5082	EACH	58	73	78	83	78	83	93	To Fit 2" and 2 $\frac{1}{4}$ " Diameter Poles
5083	EACH	58	73	78	83	78	83	93	To Fit 2" and 2 $\frac{1}{4}$ " Diameter Poles
5084	EACH	58	73	78	83	78	83	93	To Fit 2" and 2 $\frac{1}{4}$ " Diameter Poles
5085	EACH	58	73	78	83	78	83	93	To Fit 2" and 2 $\frac{1}{4}$ " Diameter Poles
5086	EACH	58	73	78	83	78	83	93	To Fit 2" and 2 $\frac{1}{4}$ " Diameter Poles
5088	EACH	58	73	78	83	78	83	93	To Fit 2" and 2 $\frac{1}{4}$ " Diameter Poles

## Wood Craft Collection (Tiebacks & Brackets): Page 75 of Catalog

Product #	Unit	Iron Art Finishes				Wood Art Finishes		Custom Finish	Additional Information
		A	B	C	D	E	F		
5070	EACH	58	73	78	83	78	83	93	Available for 2" Wood Pole Bracket Only / 6 $\frac{3}{4}$ " Projection
5071	EACH	35	44	48	52	51	54	60	$\frac{5}{8}$ " Diameter Wood Baton 38" Length
5095	EACH	32	40	43	46	43	46	51	Tieback
5096	EACH	32	40	43	46	43	46	51	Tieback
5097	EACH	32	40	43	46	43	46	51	Tieback
5098	EACH	32	40	43	46	43	46	51	Tieback
5099	EACH	32	40	43	46	43	46	51	Tieback

## Wood Poles & Accessories: Ordering Information

1. We splice any iron rod or wood pole over 106" to save on shipping charges using FedEx. Rods or poles not specified as one piece in the order will be spliced in the center, unless splice location is otherwise noted. Anything over 106" must be shipped by common carrier (truck line). Please note residential truck deliveries are restricted to 24' (288").
2. Wood poles are available and priced in sections of 4', 6', 8', and 12' in smooth and fluted styles.
3. Wood poles can be mitered. Please add Product #5055 to the order.
4. Wood ring #5047 is available in 1 $\frac{7}{8}$ " and 2 $\frac{3}{4}$ " inner diameters. Wood ring #5048 is available in 3 $\frac{1}{2}$ " inner diameter only. Wood ring #5049 is available in 1 $\frac{7}{8}$ ", 2 $\frac{3}{4}$ ", and 3 $\frac{1}{2}$ " inner diameters.
5. Wood poles can be combined with Iron Art™ finials. Unfinished products are available by quote only.
6. Please refer to the catalog for product availability for 3" wood pole accessories.
7. Poles can be spliced together to provide any length using a metal connector for wood poles. Please add Product #5056 to the order.

## Wood Poles & Accessories: Page 75 of Catalog

Product # or Size	Unit	Iron Art Finishes				Wood Art Finishes		Custom Finish	Additional Information
		A	B	C	D	E	F		
<b>Smooth Poles: 1<sup>3</sup>/<sub>8</sub>" Diameter</b>									
<b>4' Length</b>	EACH	<b>43</b>	<b>55</b>	<b>60</b>	<b>64</b>	<b>63</b>	<b>67</b>	<b>76</b>	Minimum Charged for 4'
<b>6' Length</b>	EACH	<b>60</b>	<b>76</b>	<b>83</b>	<b>89</b>	<b>88</b>	<b>93</b>	<b>104</b>	Minimum Charged for 6'
<b>8' Length</b>	EACH	<b>86</b>	<b>109</b>	<b>121</b>	<b>129</b>	<b>127</b>	<b>135</b>	<b>150</b>	Minimum Charged for 8'
<b>12' Length</b>	EACH	<b>123</b>	<b>156</b>	<b>171</b>	<b>184</b>	<b>181</b>	<b>193</b>	<b>214</b>	Minimum Charged for 12'
<b>Smooth Poles: 2" and 2<sup>1</sup>/<sub>4</sub>" Diameter</b>									
<b>4' Length</b>	EACH	<b>89</b>	<b>113</b>	<b>125</b>	<b>134</b>	<b>131</b>	<b>141</b>	<b>156</b>	Minimum Charged for 4'
<b>6' Length</b>	EACH	<b>140</b>	<b>179</b>	<b>196</b>	<b>210</b>	<b>207</b>	<b>221</b>	<b>245</b>	Minimum Charged for 6'
<b>8' Length</b>	EACH	<b>185</b>	<b>235</b>	<b>258</b>	<b>277</b>	<b>272</b>	<b>291</b>	<b>323</b>	Minimum Charged for 8'
<b>12' Length</b>	EACH	<b>279</b>	<b>357</b>	<b>392</b>	<b>420</b>	<b>413</b>	<b>441</b>	<b>489</b>	Minimum Charged for 12'
<b>Smooth Poles: 3" Diameter</b>									
<b>4' Length</b>	EACH	<b>197</b>	<b>252</b>	<b>277</b>	<b>297</b>	<b>292</b>	<b>312</b>	<b>347</b>	Minimum Charged for 4'
<b>6' Length</b>	EACH	<b>279</b>	<b>356</b>	<b>391</b>	<b>418</b>	<b>412</b>	<b>439</b>	<b>488</b>	Minimum Charged for 6'
<b>8' Length</b>	EACH	<b>380</b>	<b>485</b>	<b>532</b>	<b>570</b>	<b>561</b>	<b>600</b>	<b>666</b>	Minimum Charged for 8'
<b>12' Length</b>	EACH	<b>558</b>	<b>711</b>	<b>781</b>	<b>837</b>	<b>823</b>	<b>879</b>	<b>977</b>	Minimum Charged for 12'
<b>Fluted Poles: 1<sup>3</sup>/<sub>8</sub>" Diameter</b>									
<b>4' Length</b>	EACH	<b>43</b>	<b>55</b>	<b>61</b>	<b>65</b>	<b>64</b>	<b>68</b>	<b>76</b>	Minimum Charged for 4'
<b>6' Length</b>	EACH	<b>59</b>	<b>75</b>	<b>82</b>	<b>88</b>	<b>86</b>	<b>92</b>	<b>103</b>	Minimum Charged for 6'
<b>8' Length</b>	EACH	<b>83</b>	<b>106</b>	<b>117</b>	<b>125</b>	<b>123</b>	<b>131</b>	<b>146</b>	Minimum Charged for 8'
<b>12' Length</b>	EACH	<b>114</b>	<b>146</b>	<b>160</b>	<b>171</b>	<b>168</b>	<b>180</b>	<b>200</b>	Minimum Charged for 12'
<b>Fluted Poles: 2" and 2<sup>1</sup>/<sub>4</sub>" Diameter</b>									
<b>4' Length</b>	EACH	<b>89</b>	<b>113</b>	<b>125</b>	<b>134</b>	<b>131</b>	<b>141</b>	<b>156</b>	Minimum Charged for 4'
<b>6' Length</b>	EACH	<b>140</b>	<b>179</b>	<b>196</b>	<b>210</b>	<b>207</b>	<b>221</b>	<b>245</b>	Minimum Charged for 6'
<b>8' Length</b>	EACH	<b>185</b>	<b>235</b>	<b>258</b>	<b>277</b>	<b>272</b>	<b>291</b>	<b>323</b>	Minimum Charged for 8'
<b>12' Length</b>	EACH	<b>279</b>	<b>357</b>	<b>392</b>	<b>420</b>	<b>413</b>	<b>441</b>	<b>489</b>	Minimum Charged for 12'
<b>Fluted Poles: 3" Diameter</b>									
<b>4' Length</b>	EACH	<b>197</b>	<b>252</b>	<b>277</b>	<b>297</b>	<b>292</b>	<b>312</b>	<b>347</b>	Minimum Charged for 4'
<b>6' Length</b>	EACH	<b>279</b>	<b>356</b>	<b>391</b>	<b>418</b>	<b>412</b>	<b>439</b>	<b>488</b>	Minimum Charged for 6'
<b>8' Length</b>	EACH	<b>380</b>	<b>485</b>	<b>532</b>	<b>570</b>	<b>561</b>	<b>600</b>	<b>666</b>	Minimum Charged for 8'
<b>12' Length</b>	EACH	<b>558</b>	<b>711</b>	<b>781</b>	<b>837</b>	<b>823</b>	<b>879</b>	<b>977</b>	Minimum Charged for 12'

## Wood Poles & Accessories: Page 75 of Catalog (continued)

Product # or Size	Unit	Iron Art Finishes				Wood Art Finishes		Custom Finish	Additional Information
		A	B	C	D	E	F		
<b>Wood Brackets</b>									
5045S-138	EACH	18	23	25	26	26	28	32	American Style Bracket For 1 3/8" Pole / 3 3/4" Projection
5045S-200	EACH	25	32	35	37	37	39	43	American Style Bracket For 2" Pole / 4" Projection For 2 1/4" Pole / 4 1/8" Projection
5045S-300	EACH	30	39	43	46	45	48	54	American Style Bracket For 3" Pole / 4 1/2" Projection
5045E-138	EACH	26	34	38	40	39	42	46	American Style Bracket For 1 3/8" Pole / 6 1/2" Projection
5045E-200	EACH	30	39	42	45	45	47	54	American Style Bracket For 2" Pole / 7" Projection For 2 1/4" Pole / 7" Projection
5045E-300	EACH	33	42	46	49	48	51	58	American Style Bracket For 3" Pole / 7 1/2" Projection
5046S-138	EACH	22	28	30	33	33	35	38	European Style Bracket For 1 3/8" Pole / 3 1/4" Projection
5046S-200	EACH	26	33	36	39	38	41	45	European Style Bracket For 2" Pole / 4" Projection For 2 1/4" Pole / 4" Projection
5046S-300	EACH	32	41	44	47	47	50	56	European Style Bracket - <b>Design change</b> For 3" Pole / 5" Projection
5046E-138	EACH	34	43	47	51	50	54	60	European Style Bracket For 1 3/8" Pole / 6 1/2" Projection
5046E-200	EACH	40	51	57	60	59	63	70	European Style Bracket For 2" Pole / 7" Projection For 2 1/4" Pole / 7" Projection
5046E-300	EACH	49	63	69	75	72	78	86	European Style Bracket - <b>Design change</b> For 3" Pole / 7 1/2" Projection
<b>Smooth Wood Rings</b>									
5047-138	EACH	5	6	7	7	7	7	8	For 1 3/8" Diameter Poles 1/2" Thick / 1 7/8" Inner Diameter
5047-200	EACH	6	8	9	9	9	11	12	For 2" & 2 1/4" Diameter Poles 1/2" Thick / 2 3/4" Inner Diameter
5048-300	EACH	12	15	16	17	17	18	20	For 3" Diameter Poles 7/8" Thick / 3 1/2" Inner Diameter
<b>Fluted Wood Rings</b>									
5049-138	EACH	5	5	6	7	7	8	9	For 1 3/8" Diameter Poles 3/4" Thick / 1 7/8" Inner Diameter
5049-200	EACH	7	8	8	9	9	9	14	For 2" & 2 1/4" Diameter Poles 3/4" Thick / 2 3/4" Inner Diameter
5049-300	EACH	12	13	14	15	15	16	17	For 3" Diameter Poles 3/4" Thick / 3 1/2" Inner Diameter
<b>Wood Accessories</b>									
5050-138	EACH	58	74	80	86	85	90	101	Swivel Movable Elbow For 1 3/8" Diameter Poles
5050-200	EACH	75	96	105	112	110	118	131	Swivel Movable Elbow For 2" & 2 1/4" Diameter Poles

*\*Rope Poles in all diameter is subject to availability.*

## Wood Poles & Accessories: Page 75 of Catalog (continued)

Product # or Size	Unit	Iron Art Finishes				Wood Art Finishes		Custom Finish	Additional Information
		A	B	C	D	E	F		
<b>Wood Accessories</b>									
5051-138	PAIR	21	26	29	32	30	33	37	Standard Socket Pair For 1 3/8"
5051-200	PAIR	42	54	59	63	62	66	74	Standard Socket Pair For 2" & 2 1/4"
5052-138	EACH	19	23	26	27	27	29	33	End Cap For 1 3/8" Diameter Poles
5052-200	EACH	36	45	49	54	53	56	62	End Cap For 2" & 2 1/4" Diameter Poles
5052-300	EACH	54	68	75	80	79	84	93	End Cap For 3" Diameter Poles
5053	EACH	33	41	45	48	48	51	57	1/2" Dia. Baton, 38" Long / Clip Only
5055	EACH	19	19	19	19	19	19	19	Miter Charge
5056	EACH	8	8	8	8	8	8	8	Metal Connector for Wood
5071	EACH	38	48	54	57	56	60	66	5/8" Dia. Baton, 38" Long / Clip Only
5090-SM-250	EACH	27	32	38	42	38	42	44	Smooth 2" Wood Post Tieback with Mounting Plate: 2 1/2" P
5090-SM-400	EACH	27	32	38	42	38	42	44	Smooth 2" Wood Post Tieback with Mounting Plate: 4" P
5090-SM-600	EACH	27	32	38	42	38	42	44	Smooth 2" Wood Post Tieback with Mounting Plate: 6" P
5090-SM-CUST	EACH	27	32	38	42	38	42	44	Smooth 2" Wood Post Tieback with Mounting Plate: Custom P Up to 12"
5090-FL-250	EACH	27	32	38	42	38	42	44	Fluted 2" Wood Post Tieback with Mounting Plate: 2 1/2" P
5090-FL-400	EACH	27	32	38	42	38	42	44	Fluted 2" Wood Post Tieback with Mounting Plate: 4" P
5090-FL-600	EACH	27	32	38	42	38	42	44	Fluted 2" Wood Post Tieback with Mounting Plate: 6" P
5090-FL-CUST	EACH	27	32	38	42	38	42	44	Fluted 2" Wood Post Tieback with Mounting Plate: Custom P Up to 12"
1087	EACH	21	27	29	32	NA	NA	38	"U" Shape Bend Charge for Finials 3 1/2" P
1088FX-300	EACH	23	29	32	35	NA	NA	40	Fixed Post Projection with Mounting Plate Charge for Finials: 3" P
1088FX-400	EACH	23	29	32	35	NA	NA	40	Fixed Post Projection with Mounting Plate Charge for Finials: 4" P
1088FX-650	EACH	23	29	32	35	NA	NA	40	Fixed Post Projection with Mounting Plate Charge for Finials: 6 1/2" P

### Rosina Collection: Ordering Information

1. The Rosina Collection is available to fit 1 3/8", 2", and 2 1/4" wood poles in smooth and fluted styles.
2. Rosina finials are constructed in resin.
3. Finials can be combined with iron rods.

### Rosina Collection (Resin and Wood): Pages 76 & 77 of Catalog

Product #	Unit	Iron Art Finishes				Wood Art Finishes		Custom Finish	Additional Information
		A	B	C	D	E	F		
6002	EACH	56	70	78	83	82	87	98	To Fit 2" and 2 1/4" Diameter Poles
6003	EACH	33	41	45	48	48	51	57	To Fit 1 3/8" Diameter Poles
6006	EACH	56	70	78	83	82	87	98	To Fit 2" and 2 1/4" Diameter Poles
6007	EACH	56	70	78	83	82	87	98	To Fit 2" and 2 1/4" Diameter Poles
6010	EACH	39	50	55	59	58	62	69	To Fit 1 3/8" Diameter Poles
6011	EACH	56	70	78	83	82	87	98	To Fit 2" and 2 1/4" Diameter Poles
6013	EACH	56	70	78	83	82	87	98	To Fit 2" and 2 1/4" Diameter Poles
6014	EACH	53	67	74	79	78	83	93	To Fit 2" and 2 1/4" Diameter Poles



## Rosina Collection (Resin and Wood): Pages 76 & 77 of Catalog

Product #	Unit	Iron Art Finishes				Wood Art Finishes		Custom Finish	Additional Information
		A	B	C	D	E	F		
6015	EACH	56	70	78	83	82	87	98	To Fit 2" and 2¼" Diameter Poles
6017	EACH	48	62	68	72	71	77	85	To Fit 2" and 2¼" Diameter Poles
6019	EACH	46	59	63	66	65	69	74	Available While Supplies Last To Fit 2" and 2¼" Diameter Poles
6020	EACH	48	61	65	69	68	72	78	Available While Supplies Last To Fit 2" and 2¼" Diameter Poles
6022	EACH	30	39	42	44	43	46	49	Available While Supplies Last To Fit 1⅜" Diameter Poles
6023	EACH	30	39	42	44	43	46	49	Available While Supplies Last To Fit 1⅜" Diameter Poles
6000									Discontinued
6001									Discontinued
6004									Discontinued
6005									Discontinued
6008									Discontinued
6009									Discontinued
6014									Discontinued

## New York Wood Collection: Ordering Information

1. The New York Wood Collection is available to fit 1⅜", 2", 2¼", and 3" wood poles in smooth and fluted styles.
2. Finials can be combined with iron rods.

## New York Wood Collection (Wood Finials): Page 78 of Catalog

Product #	Unit	Iron Art Finishes				Wood Art Finishes		Custom Finish	Additional Information
		A	B	C	D	E	F		
5020	EACH	48	62	67	72	71	76	84	To Fit 2" and 2¼" Diameter Poles
5021	EACH	44	56	62	66	65	69	77	To Fit 2" and 2¼" Diameter Poles
5022	EACH	44	56	62	66	65	69	77	To Fit 2" and 2¼" Diameter Poles
5023	EACH	54	68	75	80	79	84	93	To Fit 2" and 2¼" Diameter Poles
5024	EACH	46	59	64	69	68	72	81	To Fit 2" and 2¼" Diameter Poles
5025	EACH	44	56	62	66	65	69	77	To Fit 2" and 2¼" Diameter Poles
5026	EACH	46	59	64	69	68	72	81	To Fit 2" and 2¼" Diameter Poles
5027	EACH	44	56	62	66	65	69	77	To Fit 2" and 2¼" Diameter Poles
5028	EACH	44	56	62	66	65	69	77	To Fit 2" and 2¼" Diameter Poles
5030	EACH	60	77	84	90	89	95	105	To Fit 3" Diameter Poles
5031	EACH	60	77	84	90	89	95	105	To Fit 3" Diameter Poles
5032	EACH	60	77	84	90	89	95	105	To Fit 3" Diameter Poles
5033	EACH	65	83	90	98	96	102	113	To Fit 3" Diameter Poles
5034	EACH	60	77	84	90	89	95	105	To Fit 3" Diameter Poles
5035	EACH	60	77	84	90	89	95	105	To Fit 3" Diameter Poles
5036	EACH	60	77	84	90	89	95	105	To Fit 3" Diameter Poles
5037	EACH	60	77	84	90	89	95	105	To Fit 3" Diameter Poles
5040	EACH	33	41	45	48	48	51	57	To Fit 1⅜" Diameter Poles
5041	EACH	33	41	45	48	48	51	57	To Fit 1⅜" Diameter Poles
5042	EACH	33	41	45	48	48	51	57	To Fit 1⅜" Diameter Poles
5043	EACH	33	41	45	48	48	51	57	To Fit 1⅜" Diameter Poles
5038	EACH								Discontinued

## Promotional Items for Designers: Ordering Information

1. Prices for Promotional Items are on "NET" basis.
2. Custom displays can be ordered.

### #8000 - Product Wall Display - Set 1: Page 79 of Catalog

\$550 Each (Net) W32" H48"

Display Includes:

Tuscany Collection  
Metal Cornice with Wood Duster  
Design: 8021 Acanthus Single  
Finish Group B: Bronze Vecchio

Rosina Collection  
2" Fluted Wood Pole  
Left/Right Finials: 6017  
Bracket 1040-RND  
Smooth Ring 5047  
Finish Group D: Autumn

Unique Collection  
1" Round Hollow Iron Rod  
Left/Right Finials: 321, 513  
End Bracket 1028SE  
Support Bracket 3185C  
"C" Ring 330  
Finish Group B: Antique Bronze

Tropical Collection  
1¼" Bamboo Straight Iron Rod  
Left/Right Finials: 9005, 9004  
Bracket 9010  
Round Ring 9025  
Finish TC206: Rustic Bamboo

Italian Collection  
1" Round Hollow Iron Rod  
Left/Right Finials: 7003, 7006  
Bracket 7014  
Round Ring 7013  
Finish Group I: Brushed Nickel

Bohemia Collection  
1" Round Hollow Iron Rod  
Left/Right Finials: 783, 771  
Bracket 7014 • Round Ring 7013  
Finish Group J: Polished Chrome

Swing Arm 1074A  
¾" Round Iron Rod  
Mounting Plate R1  
Finish Group B: Old Black

Iron Art™ Accessories  
1058 Rosette Post Projection Tieback  
Finish Group B: Naturelle

Iron Art™ Accessories  
315 Movable Elbow - Interior Fit  
309 90° Elbow - Exterior Fit  
Finish Group B: Naturelle

Iron Art™ Accessories  
303 Full Socket  
302 Half Socket  
1013 U Shape Bend Tieback  
Finish Group B: Naturelle

### #8001 - Product Wall Display - Set 2: Page 79 of Catalog

\$550 Each (Net) W32" H48"

Display Includes:

Designers' Choice Traversing - Wood  
2" Fluted Traversing Wood Pole - Double Set  
Right Stack  
Finials: 5027  
Finish Group E: Walnut

Designers' Choice Traversing - Iron  
1½" Square Traversing Iron Rod - Single Set  
Right Stack  
Finials: 947S  
Square Rings IT352TR  
Finish Group B: Soft Pewter

1½" Round Hollow Hammered Iron Rod  
Hardware Set  
Left/Right Finials: 946H, 913S  
Left/Right Brackets: 1102, 1106  
Round Ring 350  
Finish Group C: Bronze Patina

1" Twist Hollow Iron Rod Hardware Set  
Left/Right Finials: 906S, 904S  
Bracket 1030-RND  
Twisted Ring 351  
Finish Group B: Rusty

1" Square Hollow Iron Rod Hardware Set  
Left/Right Finials: 417, 907  
Bracket 1028-SQ • Square Ring 352  
Finish Group C: Burnt Gold

Burgundy Collection 264  
¾" Iron Rod with Return  
Round Ring 350  
Finish Group C: Sage Gold

Baton 1016 with Clip  
Finish Group B: Naturelle

### #8002 - Xpress Yourway Wall Display: Page 79 of Catalog

\$550 Each (Net) W32" H48"

Display Includes:

Iron Hardware Double Set  
1" Round Hollow Iron Rod  
Left/Right Front Finials: 513, 420  
Left/Right Rear End Caps: 321, 301  
Left/Right Brackets: 1024/1040DBWS-RND  
Round Ring 350 • Express It! Finish: Black

Iron Hardware Single Set  
1" Round Hollow Iron Rod  
Left/Right Finials: 966, 505  
Left/Right Brackets: 1028/1040-RND 6"P  
Support Bracket 1040HP-RND 6"P  
Round Ring 350  
Express It! Finish: New Nickel

Iron Hardware Single Set  
1" Round Hollow Iron Rod  
Left/Right Finials: 946 2", 947L  
Left/Right Brackets: 1028/1040-RND  
Support Bracket 1040HP-RND  
Round Ring 350  
Quicken It! Finish: Antique Bronze

Iron Hardware Single Set  
1¼" Round Hollow Iron Rod  
Left/Right Finials: 950, 906S  
Left/Right Brackets: 1028/1040-RND  
Support Bracket 1028HP-RND  
Round Ring 350  
Quicken It! Finish: Antique Gold

Italian Hardware Double Set  
1" Round Hollow Iron Rod  
Left/Right Front Finials: 778, 7003  
Left/Right Rear End Caps: 790, 7016  
Bracket 7040 • Round Ring 7013  
Express It! Finish: Brushed Nickel

Italian Hardware Single Set  
1" Round Hollow Iron Rod  
Left/Right Finials: 781, 7005  
Bracket 7015 6"P  
Support Bracket 7015HP 6"P  
Round Ring 7013  
Express It! Finish: Polished Chrome

Italian Hardware Single Set  
1" Round Hollow Iron Rod  
Left/Right Finials: 782, 7006  
Bracket 7014 • Support Bracket 7014HP  
Round Ring 7013  
Express It! Finish: Brushed Nickel

Italian Hardware Single Set  
1" Round Hollow Iron Rod  
Left/Right Finials: 774, 775  
Bracket 7014 • Round Ring 7013  
Express It! Finish: Polished Chrome

Accessories  
Socket 302 • Socket 303  
Express It! Finish: Light Brown

Socket 306-112 • Tieback 1078  
Quicken It! Finish: Soft Pewter

Tieback 1073 • Tieback 1059 Rosette  
Quicken It! Finish: Pure White

Baton 1016 • Quicken It! Finish: Soft Pewter

## #8003 - Designer Finial Set: Page 79 of Catalog

\$100 Each (Net) - Includes:

Finial Samples:

Iron Finial #946 on Smooth  
Round Hollow 1¼" Diameter Rod

Iron Finial #976 on Fluted  
Round Hollow 1¼" Diameter Rod

Iron Finial #913L on Smooth  
Round Hollow 1½" Diameter Rod

Italian Finial # 7005 on Smooth  
Round Hollow 1" Diameter Rod

Bohemia Finial #771 on Smooth  
Round Hollow 1" Diameter Rod

Wood Finial #5040 on Smooth  
1⅜" Diameter Wood Pole

## #8010 - Designer Product Case: Page 79 of Catalog

\$450 Each (Net) L20" W15" H7" Weight 18 lbs. - Includes:

One Hard Carrying Case

One Tuscany Cornice Collection Sample  
8023 Single Tulip

Pole Samples:  
Fluted Poles in 1½" and 2" Diameters  
Smooth Poles in 1½" and 2" Diameters

Wood Art™ Samples:  
New York Wood Finial - #5027 Tudor  
2" Diameter Fluted Pole  
Iron Art™ Decorative Cap - #321

Iron Art™ Samples:  
Finial #953  
1" Diameter Smooth Hollow Rod  
Finial #946

Italian Collection Samples:  
Finial #7022  
1" Diameter Smooth Hollow Rod  
Finial #7003

Tropical Collection Samples:  
Finial #9004  
1" Diameter Bamboo Rod  
Iron Art™ Decorative Cap - #321

Tie Backs:  
Post Projection Tieback with Rosette #1060  
U-Shaped Tieback with Finial #946

Iron Brackets and Sockets:  
Bracket #1028 for 1" Dia. Rod with 6" P  
Bracket #1028 for 1" Dia. Rod with 3" P  
Socket #302  
Socket #303

One Wood Bracket #5045 with 4" P

One Fluted Wood Ring #5049

One Iron Baton #1016

Color Selector Sets:  
Binder Set #8008  
Tropical #8006

One Set of Various Iron Rings:  
#350 #351 #352  
#353 #355 #356

One Set of Orion's Catalog, Brochures,  
Price Lists and Order Forms.

## #8011 - Designer Sample Kit: Page 79 of Catalog

\$125 Each (Net) L20" W15" H5" Weight 11 lbs. - Includes:

One Soft Carrying Case

One Set of Orion's Catalog, Brochures, Price Lists and Order Forms.

Finial Samples:

Iron Finial #946 on Smooth  
Round Hollow 1¼" Diameter Rod

Iron Finial #976 on Fluted  
Round Hollow 1¼" Diameter Rod

Iron Finial #913L on Smooth  
Round Hollow 1½" Diameter Rod

Italian Finial # 7005 on Smooth  
Round Hollow 1" Diameter Rod

Bohemia Finial #771 on Smooth  
Round Hollow 1" Diameter Rod

Wood Finial #5040 on Smooth  
1⅜" Diameter Wood Pole

## Designer Tools: Page 79 of Catalog

**#8017 - Designer Rod Size Set - \$20 Each (Net)**  
*Includes Base, Cap, and Post to Hold the Set Together and 1 Sample Each of the Following Diameters:*

- ½" Diameter
- ⅝" Diameter
- ¾" Diameter
- ⅞" Diameter
- 1" Diameter
- 1¼" Diameter
- 1½" Diameter
- 2" Diameter
- 3" Diameter

**#8018 - Designer Ring Size Set - \$12 Each (Net)**  
*Includes Hinged Metal Snap Ring and 1 Sample Each of the Following Diameters:*

- ¾" Inner Diameter
- 1" Inner Diameter
- 1¼" Inner Diameter
- 1½" Inner Diameter
- 1¾" Inner Diameter
- 2" Inner Diameter
- 2½" Inner Diameter
- 3" Inner Diameter
- 3½" Inner Diameter
- 4" Inner Diameter

## Finish Selectors and Catalogs: Page 79 of Catalog

Product #	Description	Unit	Price (Net)	Additional Information
<b>8004</b>	Iron Art™ Finish Selector Set	EACH	<b>60</b>	35 Iron Art™ finishes in three plastic binder sleeves.
<b>8005</b>	Wood Art™ Finish Selector Set	EACH	<b>20</b>	11 Wood Art™ finishes in one plastic binder sleeve.
<b>8007</b>	Rods with Return Display Board	EACH	<b>250</b>	Rods with Return Display Board H 32" X W 24"
<b>8014</b>	Italian Finish Selector Set	EACH	<b>48</b>	Includes 13 Italian Collection color selectors in 1 plastic ring binder sleeve.
<b>8006</b>	Tropical Bamboo Finish Selector Set	EACH	<b>24</b>	6 Tropical Collection finishes on rings.
<b>8008</b>	Color Selector Sets in Binder	EACH	<b>98</b>	Includes finish selector sets in plastic sleeves for our Iron Art™, Wood Art™, and Italian Collections in a full color 3-ring binder.
<b>8009</b>	Catalog/Price List & Forms Set	EACH	<b>8</b>	All our current catalogs, brochures, price lists and order forms.
<b>8015</b>	Color Binder Set w/Catalog (8008 + 8009)	EACH	<b>80</b>	Includes everything from 8008, plus our catalog and price list.
<b>8016</b>	Single Square Color Selector Chip	EACH	<b>4</b>	Single color selector chip of any Iron Art™ or Italian Collection finish.

# TERMS OF SALE

## 1. PRICES

- a. All prices (except Promotional Items) listed are retail prices in US\$ and are FOB warehouse.
- b. Prices and terms of sale are subject to change without notice.
- c. Prices and specifications are subject to corrections resulting from errors, omissions, and modifications.
- d. Specifications listed in this price list supersede those listed in the catalog.

## 2. TERMS

- a. Customer accounts are opened under the following terms: Payment Before Shipping (Proforma), or Credit Card (Visa, MasterCard, or American Express).
  1. Credit card accounts give specific to the Company to charge the credit card upon completion of the order.
- b. **All orders \$2000 and above need a 50% deposit prior to commencement of manufacturing.**
- c. A \$50.00 fee will be charged for any returned checks.
- d. Late payments on a Net 30 account will cause the account to become Proforma, or Credit Card. **A late fee of payment interest of 1.5% per month (18% per year) will be added to all invoices not paid within 7 days.**
- f. The Company reserves the right to review and change account terms at any time.
- g. Any and all legal or collection costs that are incurred in procuring past due accounts will be the sole responsibility of the customer, and will be added to outstanding account balances.
- h. **All requests for credit on invoices that are priced incorrectly or contain other invoicing errors should be sent to the Company in writing within 30 days of the invoice date.**

## 3. NEW ORDERS

- a. To ensure correct ordering information, we prefer that all orders be faxed or emailed using our Drapery Hardware Order forms.
- b. **The Company has provided a comprehensive ordering information guide for its products. Please review it carefully before placing an order.**
- c. Please review orders for accuracy and completeness before sending.
- d. Manufacturer's best judgment will prevail on order details not provided before processing an order.
- e. **Any errors or omissions are the customer's sole responsibility.**
- f. Verbal orders will **NOT** be accepted at any time.
- g. Orders can be sent via fax, standard mail, or email.
- h. Orders received by 12:00 noon Pacific Standard Time will be deemed to be received on that business day.
- i. **Incomplete orders, or orders with questions will be deemed to be received on the date that all queries have been answered.**
- j. **Duplicate orders sent and executed will be the customer's sole responsibility.**
- k. The Company will send an Order Confirmation to customers within 72 hours of receipt of an order.
- l. All customers with a physical presence in California are required to have a valid resale certificate on file with the Company. Sales tax will be charged on orders from California customers not having a valid resale certificate on file with the Company.

## 4. ORDER CHANGES / REVISIONS

- a. **All revisions and changes MUST be in writing, and should be submitted via fax or email.**
- b. Customer changes and revisions will **NOT** be accepted after three working days from receipt of an order.
- c. Changes and revisions on any rush order will not be accepted after 24 hours from receipt of an order.

- d. Changes cannot be made to Xpress Yourway orders once confirmation is received.
- e. There will be a \$25.00 charge for customer changes received more than 48 hours after the original order.
- f. **NO charge for:** changing shipping instructions up to the scheduled ship date; to add items to an order up to two working days from receipt of an order; making changes that stem from clarification of orders.
- g. **Any changes or revisions may affect the shipping date.**

## 5. ORDER CANCELLATIONS AND HOLDS

- a. Since all orders are hand-made, custom to order, no cancellations or holds will be accepted after three business days from the date of an order.
- b. **Any orders cancelled or held beyond three days of placing the order will be subject to a cancellation charge of \$25.00, plus a 35% restocking fee of net invoice/item value as applicable.**
- c. Custom items, such as cut rods, are **NOT** refundable.
- d. Rush orders cannot be cancelled or put on hold.
- e. All requests for order holds or cancellations must be sent in writing.

## 6. PRODUCTION / DELIVERY

- a. The due date listed on the sales order confirmation indicates that the order will be shipped or ready for Will Call at the **END** of that business day.
- b. Most standard orders ship within 10 working days of receipt and finalization (Italian, Tuscany, and Traversing orders ship within 15 working days). Orders requiring modification, customization, or production from a template or drawing ship within 15 working days upon receipt of all materials.
- c. **Rush orders** are accepted on a limited basis. These should be handled as an exception and not a rule. Rush orders may be refused for any reason whatsoever. Rush order surcharges for standard orders are:
  1. **RUSH:** 25% on orders shipped 7 working days from order receipt.
  2. **HOT RUSH:** 50% on orders shipped 5 working days from order receipt.
  3. **HOT HOT RUSH:** 72 hour shipping is possible on a case-by-case basis at 100% upcharge. Please call for confirmation.Rush order surcharges for Italian, Tuscany, Traversing, and custom orders are:
  1. **RUSH:** 25% on orders shipped 12 working days from order receipt.
  2. **HOT RUSH:** 50% on orders shipped 10 working days from order receipt.
  3. **HOT HOT RUSH:** 7 working day shipping is possible on a case-by-case basis at 100% upcharge. Please call for confirmation.
- d. Scheduled ship dates are based on production variables and are difficult to expedite. Any date changes will incur the change charge as delineated above. (Large and non-standard orders may require more time.)
- e. The nature of the order will be taken into account when assigning scheduled ship dates.
- f. **All orders are shipped FOB warehouse. Delivery charges are to customer's account.**
- g. Shipping charges include handling and packaging charges. If a customer chooses to have the shipping charges billed to his shipping account (FedEx, UPS) or his trucking company account, there will be a 4% of retail invoice value charge added for packaging and handling

only.

- h. Certain orders may require additional packaging and/or special handling, which will be an additional charge on the order. (ie. bent rods)

**i. Please see page 82 for FedEx/UPS Freight Surcharge.**

#### 7. WILL CALL ORDERS

- a. The due date listed on the sales order confirmation indicates that the order will be ready for Will Call at the **END** of that business day.
- b. All Will Call orders will be invoiced and mailed on the date that the order is completed, and will be due according to the customer's account terms.
- c. Accounts with Payment Before Delivery (Proforma), or Credit Card terms must pay for their Will Call orders in full at the time of order readiness in production.
- d. **Will Call orders should be picked up within two weeks of completion.**
- e. Will Call orders not picked up after three weeks from completion will be subject to a stocking charge of \$20.00 per week.
- f. Will Call orders not picked up after six weeks will be returned to inventory and be subject to a 50% production fee.
- g. Please confirm that production of the order is complete before arriving to pick it up.

#### 8. RETURN POLICY

- a. **No product will be accepted for return without prior authorization. Please call your Customer Service Executive prior to returning any merchandise.**
  - 1. Your Customer Service Executive will issue a Return Merchandise Authorization (RMA) number.
  - 2. **The RMA# MUST be noted on all packages that are returned to the Company.**
  - 3. If the return is due to Company error or omission, a call tag will be issued to pick up the material to be returned.
  - 4. Shipping charges on all returns other than defective or damaged merchandise will be borne by the customer.
- b. Rings, standard brackets, and finials will be accepted for return with a restocking fee of 35% of net invoice/item as applicable.
- c. With the exception of defects and damages:
  - 1. **Custom orders or orders made to a customer's specifications and/or crackle finishes cannot be returned.**
  - 2. Rods cut to customer's specification are **NOT** returnable.
  - 3. The customer will pay a 35% restocking fee of net invoice/item as applicable.
- d. On applicable items, credit for returns will be issued. Credit for restocked items is "**on account**", and will be applied against open invoices and/or future orders. At no time will there be a cash/check/credit card refund.
- e. **No return request will be accepted after 30 days from the invoice date.**

#### 9. DEFECTIVE, DAMAGED OR MISSING MERCHANDISE

- a. **Orders MUST be checked upon receipt.**
  - 1. **Any defective or missing material MUST be reported within one week from receipt of order to the Company.**
  - 2. **Customers should refuse all packages that have visible damage or are open and may be missing items, and note this on the carrier delivery receipt.**
  - 3. **Any missing packages should be reported to the Company within 48 hours of receipt of order.**
  - 4. **The Company will be responsible for any shipping related claims.**
- b. The Company will repair or replace any defective merchandise at its sole discretion.

- c. The Company will be responsible for any freight charges to return defective merchandise. A RMA# and call tag will be issued by the Customer Relations Executive.
- d. If, upon examination, the merchandise is found to be **NOT** defective, the customer will be charged freight.

#### 10. INSTALLATION

- a. It is of the utmost importance that all the Company products be installed properly.
- b. For questions regarding securing products to a particular surface, please consult a professional installer.
- c. **The Company will not be responsible nor liable under any circumstances for installation or any costs relating to installation, removal, or reinstallation. The Company will only repair or replace any defective or damaged product.**

#### 11. FINISHES

- a. All finishes are done by hand, thus some variation in tone and appearance will occur.
- b. All product prices include finishes. Please see this price list for finish groups.
- c. The Company can custom match most finishes.
  - 1. All custom finishes will require a strike-off approved by the customer before the Company finishes the product. The strike-off has a one time net charge of \$40.00, and turn around time is 3 business days.
  - 2. When ordering, please refer to product pricing in the Custom Finish Group.
- d. **The lithographic color reproductions presented in the catalog may not accurately reflect the true tones, lusters, and depths of the finishes. Please refer to actual finish samples (Color Selector Sets) for a more accurate representation.**

#### 12. CUSTOM ORDERS

- a. The Company is a true custom manufacturer, and as such we are able to manufacture products to almost any specification.
- b. Any item that varies from the specifications published in the Company catalogs and price lists will be subject to a minimum customization charge of \$120.00 per item retail. This should be added to the standard cost of the product.
- c. If the customization charge is greater than \$120.00 per item retail, the Company will contact the customer with a price quote and wait for approval before proceeding with the order.

#### 13. WARRANTY

- a. The Company offers a standard limited warranty on all merchandise to be free from manufacturing defects for a period of one year from the date of purchase.
- b. This warranty does **NOT** apply to normal wear and tear, damage from mishandling, abuse, or exposure due to climatic conditions.
- c. **This warranty specifically excludes any product that is used in an external environment.**

#### 14. EFFECTIVE DATE

- a. **These terms of sale are effective as of July 15, 2021.**
- b. These terms of sale may be revised, amended, or replaced at any time at the Company's discretion.

#### 15. DISCLAIMER

- a. The Company endeavors to provide accurate information in all of its catalogs and price lists. However, the Company is **NOT** responsible for any errors or omissions of any kind, nor is the Company liable for any charges that stem from any errors or omissions on its part.
- b. All orders placed with the Company are governed by the terms of sale in effect at the time of ordering.

# ADDITIONAL FEDEX/UPS FREIGHT SURCHARGE

Any box over 96" and less than 108" in length will incur additional surcharge \$70 per box.

1) Orion policy is to automatically splice any rod/pole over 94" and less than 106" unless specified **"DO NOT SPLICE"** in order, in which case it will incur additional surcharge of \$70.00. 2) Orion policy is to automatically splice any rod/poles over 106" unless specified **"DO NOT SPLICE"** in order, in which case it will be shipped by truck. 3) Orion policy is to automatically splice any Manual Traversing Facia/rod length over 90" and less than 102" unless specified **"DO NOT SPLICE"** in order, in which case it will incur additional surcharge of \$70.00 per box. 4) Orion Policy is to automatically splice any Manual Traversing Facia/rod length over 102" unless specified **"DO NOT SPLICE"** in order, in which case it will be shipped by truck. 5) Orion policy is **NOT** to automatically splice any Motorized Traversing Facia/rod length over 90" and less than 102" unless specified **"SPLICE"** in order, in which case it will incur additional surcharge of \$70.00 per box. 6) Orion policy is **NOT** to automatically splice any Motorized Traversing Facia/rod length over 102" unless Specified **"SPLICE"** in order, in which case it will be shipped by truck.

**NOTE: For multiple rod/pole length over 94" and less than 106" in a single order will be packed together in single box to keep the additional surcharge of \$70.00 per box and not per rod.**

## SUMMARY OF CHARGES

Below is a listing of charges found in Terms of Sale (page 82).

Type of Charge	Amount
Returned Checks	\$50 net
Late Payments	1.5% interest/month on unpaid amount
Order Changes after 48 Hours	\$25 net
Cancellation Charge	\$25 net plus 35% restocking of net invoice/ item value as applicable
Shipping billed to Customer's Shipping Account	4% of retail invoice value for packaging and handling
Will Call Stocking Charge	\$20 net a week after three weeks
Will Call Production Restocking Fee	\$50% restocking of new invoice value after six weeks, order returned to inventory
Restocking Fee	35% of net invoice/Item as applicable
Strike-off Weld Charge	\$40 net
Minimum Customization Charge	\$120 retail per item
Weld Charge	\$10 retail per item
Additional Freight Surcharge	\$70 (See Above)

## SUMMARY OF UPCHARGES (NET PRICING)

Type of Order	Amount
Outdoor Hardware	30%
Semi or High Gloss Finish	20%
Rush Orders <i>Standard orders shipped in 7 working days. Italian, Tuscany, Traversing, and Custom orders shipped in 12 working days.</i>	25%
Hot Rush Orders <i>Standard orders shipped in 5 working days. Italian, Tuscany, Traversing, and Custom orders shipped in 10 working days.</i>	50%
Hot Hot Rush Orders <i>Standard orders shipped in 72 hours. Italian, Tuscany, Traversing, and Custom orders shipped in 7 working days.</i>	100%

# DECORATIVE DRAPERY HARDWARE ORDER FORM

**IMPORTANT INFORMATION:** Please read the following carefully before utilizing this form:

1. This order form is to be used to order ♦ Finials ♦ Eclectic Finials ♦ Tie Backs ♦ Batons ♦ Brackets ♦ Accessories ♦ Rings ♦ Rods ♦ Swing Arms ♦ Unique Collection ♦ Fina Collection ♦ Italian Collection ♦ Tropical Collection (except 9040S & 9040D Cornices) ♦ Milano Collection ♦ Rosina Collection ♦ New York Wood Collection ♦ Wood Craft Collection ♦ Wood Poles and Accessories ♦ Promotional Items for Designers
2. Utilize Special Instructions area to elaborate items that require special processing. Use additional forms/sheets if space is inadequate.

CUSTOMER INFORMATION					
Company Name:			Page ____ of ____		
Ordered By (Name):			Order Date:		
Side Mark:			Account#:		
Phone:			PO#:		
Ship to:			Drawing/Template: Yes: <input type="checkbox"/> No: <input type="checkbox"/>		
Street:			Order Type: Reg: <input type="checkbox"/> Rush: <input type="checkbox"/> Hot Rush: <input type="checkbox"/>		
City:		State:	Zip:		Delivery Location: Business: <input type="checkbox"/> Residential: <input type="checkbox"/>
Ship Via:	FedEx Ground: <input type="checkbox"/>	3 Day: <input type="checkbox"/>	2 Day: <input type="checkbox"/>	Overnight: <input type="checkbox"/>	Truck: <input type="checkbox"/> Will Call: <input type="checkbox"/> Other:

IRON RODS		ITALIAN RODS		WOOD POLES				
Qty.	Rod Type / Rod #	Rod Style (Round, Twist, Etc.)	Rod Dia. (Inches)	Rod Length (In.) (Not Including Finials)	Splice Yes/No	Finish		Room
						Name	Number	

Special Instructions:

FINIALS ECLECTIC FINIALS								
Qty.	Product #	Rod Style (Round, Twist, Etc.)	To Fit Rod Dia. (Inches)	Finial Fit (Interior / Exterior)	Left / Right (Where Applicable)	Finish		Room
						Name	Number	

Special Instructions:

BRACKETS DECORATIVE BRACKETS							
Qty.	Product #	Rod Style (Round, Twist, Etc.)	To Fit Rod Dia. (Inches)	Projection (Inches)	Finish		Room
					Name	Number	

Special Instructions:

RINGS						
Qty.	Product #	Ring Size Inside Diameter (Inches)	To Fit Rod Diameter (Inches)	Finish		Room
				Name	Number	

Special Instructions:

ACCESSORIES							
Qty.	Product #	Rod Style (Round, Twist, Etc.)	To Fit Rod Dia. (Inches)	Fit (Interior / Exterior)	Finish		Room
					Name	Number	

Special Instructions:

TIE BACKS AND SWAG HOLDERS							
Qty.	Product #	Tie Back Style		Left / Right (Where Applicable)	Finish		Room
		Post Projection	"U" Bend Shape		Name	Number	

Special Instructions:

BATONS							
Qty.	Product #	Length in Inches (Tip to Tip)	Clip or Ring	Ring Size Inside Diameter (Inches)	Finish		Room
					Name	Number	

Special Instructions:

SWING ARMS								
Qty.	Product #	Length (In.) (Including Finials)	Left / Right (Where Applicable)	Bracket # (If 3" or 6" Projection)	Mounting Plate (R1, R2, D3)	Finish		Room
						Name	Number	

Special Instructions:

OASIS COLLECTION							
Qty.	Product #	Length (S, M, L, XL)	Ring		Finish		Room
			Number	Quantity	Name	Number	

Special Instructions:

PROMOTIONAL ITEMS FOR DESIGNERS								
Product #	8000	8001	8002	8003	8004	8005	8006	8008
Quantity								
Product #	8009	8010	8011	8014	8015	8016	8017	8018
Quantity								



# EXCLUSIVE COLLECTIONS ORDER FORM

**IMPORTANT INFORMATION:** Please read the following carefully before utilizing this form:

1. This order form is to be used to order ♦ Tuscany Cornice Collection ♦ Tropical Collection (9040S & 9040D Cornices) ♦ Burgundy Collection ♦ Mediterranean Collection ♦ Renaissance Collection ♦ Vienna Collection
2. Utilize Special Instructions area to elaborate items that require special processing. Use additional forms/sheets if space is inadequate.

CUSTOMER INFORMATION							
Company Name:					Page ____ of ____		
Ordered By (Name):					Order Date:		
Side Mark:					Account#:		
Phone:					PO#:		
Ship to:					Drawing/Template: Yes: <input type="checkbox"/> No: <input type="checkbox"/>		
Street:					Order Type: Reg: <input type="checkbox"/> Rush: <input type="checkbox"/> Hot Rush: <input type="checkbox"/>		
City:			State:		Zip:		Delivery Location: Business: <input type="checkbox"/> Residential: <input type="checkbox"/>
Ship Via:	FedEx Ground: <input type="checkbox"/>	3 Day: <input type="checkbox"/>	2 Day: <input type="checkbox"/>	Overnight: <input type="checkbox"/>	Truck: <input type="checkbox"/>	Will Call: <input type="checkbox"/>	Other:

TUSCANY CORNICE COLLECTION      TROPICAL COLLECTION (#9040S/9040D)*								
Qty.	Product #	Length (Inches)	Return Projection (Inches)	Wood Duster Yes/No	Return Only Left / Right (Where Applicable)	Finish		Room
						Name	Number	

Special Instructions:

BURGUNDY COLLECTION / ROD WITH RETURN (#264/7007)								
Qty.	Product #	Template Yes/No	Rod Dia. (Inches)	Rod Length (In.) (Not Including Finials)	Return Projection (Rod with Return #264 & #7007)	Finish		Room
						Name	Number	

Special Instructions:

MEDITERRANEAN COLLECTION      RENAISSANCE COLLECTION								
Qty.	Product #	Renaissance		Return Only Left / Right (Where Applicable)	Mounting Plate Type	Finish		Room
		Length (Inches)	Return Proj. (In.)			Name	Number	

Special Instructions:

VIENNA COLLECTION									
Qty.	Product #	Length (Inches) (Tip to Tip)	Left / Right (Where Applicable)	Proj. (3" or 6")	Knobs (Front or Back Includes 5)	Addl Knobs	Finish		Room
							Name	Number	

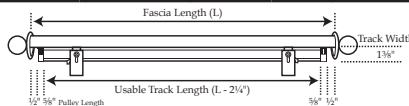
Special Instructions:

\*Note: If used with traversing, please give ordering details with the Manual Traversing or Traversing with Somfy Motorization order forms.

# MANUAL TRAVERSING ORDER FORM

Designers' Choice Traversing, Deco Lite Traversing, Tuscany Traversing, Tuscany Collection Cornices, and Tropical Collection Cornices

CUSTOMER INFORMATION							
Company Name:					Page ____ of ____		
Ordered By (Name):					Order Date:		
Side Mark:					Account#:		
Phone:					PO#:		
Ship to:					Drawing/Template: Yes: <input type="checkbox"/> No: <input type="checkbox"/>		
Street:					Order Type: Reg: <input type="checkbox"/> Rush: <input type="checkbox"/> Hot Rush: <input type="checkbox"/>		
City:			State:		Zip:		Delivery Location: Business: <input type="checkbox"/> Residential: <input type="checkbox"/>
Ship Via:	FedEx Ground: <input type="checkbox"/>	3 Day: <input type="checkbox"/>	2 Day: <input type="checkbox"/>	Overnight: <input type="checkbox"/>	Truck: <input type="checkbox"/>	Will Call: <input type="checkbox"/>	Other:



**\*Measurement Guidelines**

- Please specify fascia length when ordering.
- Usable track length will be 2 1/4" shorter than fascia length. (L - 2 1/4")

**Total Number of Rod Sets Ordered on this PO:** \_\_\_\_\_

1.	Qty	Set#	Rod Dia. (Inches)	Fascia Design (Deco Lite or Tuscany)	Fascia Length* (Inches) (Not Including Finials)	Usable Track Length* (Fascia Length - 2 1/4")	Track Finish	Back Rod For Double Set
								<input type="checkbox"/> Ant. Bronze <input type="checkbox"/> Black <input type="checkbox"/> Gold <input type="checkbox"/> Silver <input type="checkbox"/> White
	Type of Draw		Opening		Cord Drop	Cord Length	Drapery Heading	
	<input type="checkbox"/> Cord <input type="checkbox"/> Baton _____" # _____ Qty _____		<input type="checkbox"/> Left Stack <input type="checkbox"/> Right Stack <input type="checkbox"/> Center Open		<input type="checkbox"/> Left <input type="checkbox"/> Right	<input type="checkbox"/> Standard (8 Feet) <input type="checkbox"/> Other: _____"	<input type="checkbox"/> Pinch Pleat <input type="checkbox"/> RippleFold      Master Type <input type="checkbox"/> 60% <input type="checkbox"/> 80% <input type="checkbox"/> Butt <input type="checkbox"/> 100% <input type="checkbox"/> 120% <input type="checkbox"/> Overlap	
	Front Track Rings	Ring or Glide Quantity	Mounting Bracket	Bracket Projection (For Single Sets Only)	Additional Support Brackets	Finial # or Miter Return Projection		Set Finish
	<input type="checkbox"/> No Rings <input type="checkbox"/> Ring#: _____	<input type="checkbox"/> 4 Per Ft (Std.) <input type="checkbox"/> Other Qty: _____ (Total)	<input type="checkbox"/> Wall <input type="checkbox"/> Ceiling	<input type="checkbox"/> 3 1/2" to 4 1/2" <input type="checkbox"/> 6" to 7"	Qty: _____ Bracket#: _____	<input type="checkbox"/> 3 1/2" <input type="checkbox"/> 4 1/2" <input type="checkbox"/> 6" <input type="checkbox"/> 7"		

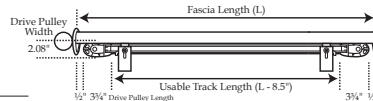
2.	Qty	Set#	Rod Dia. (Inches)	Fascia Design (Deco Lite or Tuscany)	Fascia Length* (Inches) (Not Including Finials)	Usable Track Length* (Fascia Length - 2 1/4")	Track Finish	Back Rod For Double Set
								<input type="checkbox"/> Ant. Bronze <input type="checkbox"/> Black <input type="checkbox"/> Gold <input type="checkbox"/> Silver <input type="checkbox"/> White
	Type of Draw		Opening		Cord Drop	Cord Length	Drapery Heading	
	<input type="checkbox"/> Cord <input type="checkbox"/> Baton _____" # _____ Qty _____		<input type="checkbox"/> Left Stack <input type="checkbox"/> Right Stack <input type="checkbox"/> Center Open		<input type="checkbox"/> Left <input type="checkbox"/> Right	<input type="checkbox"/> Standard (8 Feet) <input type="checkbox"/> Other: _____"	<input type="checkbox"/> Pinch Pleat <input type="checkbox"/> RippleFold      Master Type <input type="checkbox"/> 60% <input type="checkbox"/> 80% <input type="checkbox"/> Butt <input type="checkbox"/> 100% <input type="checkbox"/> 120% <input type="checkbox"/> Overlap	
	Front Track Rings	Ring or Glide Quantity	Mounting Bracket	Bracket Projection (For Single Sets Only)	Additional Support Brackets	Finial # or Miter Return Projection		Set Finish
	<input type="checkbox"/> No Rings <input type="checkbox"/> Ring#: _____	<input type="checkbox"/> 4 Per Ft (Std.) <input type="checkbox"/> Other Qty: _____ (Total)	<input type="checkbox"/> Wall <input type="checkbox"/> Ceiling	<input type="checkbox"/> 3 1/2" to 4 1/2" <input type="checkbox"/> 6" to 7"	Qty: _____ Bracket#: _____	<input type="checkbox"/> 3 1/2" <input type="checkbox"/> 4 1/2" <input type="checkbox"/> 6" <input type="checkbox"/> 7"		

Notes: \_\_\_\_\_

# TRAVERSING WITH SOMFY MOTORIZATION ORDER FORM

Designers' Choice Traversing, Deco Lite Traversing, Tuscany Traversing, Tuscany Collection Cornices, and Tropical Collection Cornices

CUSTOMER INFORMATION					
Company Name:			Page ____ of ____		
Ordered By (Name):			Order Date:		
Side Mark:			Account#:		
Phone:			PO#:		
Ship to:			Drawing/Template: Yes: <input type="checkbox"/> No: <input type="checkbox"/>		
Street:			Order Type: Reg: <input type="checkbox"/> Rush: <input type="checkbox"/> Hot Rush: <input type="checkbox"/>		
City:		State:	Zip:	Delivery Location: Business: <input type="checkbox"/> Residential: <input type="checkbox"/>	
Ship Via:	FedEx Ground: <input type="checkbox"/>	3 Day: <input type="checkbox"/>	2 Day: <input type="checkbox"/>	Overnight: <input type="checkbox"/>	Truck: <input type="checkbox"/> Will Call: <input type="checkbox"/> Other: <input type="checkbox"/>



**\*Measurement Guidelines**

- Please specify fascia length when ordering.
- Usable track length will be 8 1/2" shorter than fascia length. (L - 8 1/2")

Total Number of Rod Sets Ordered on this PO: \_\_\_\_\_

Qty	Set#	Rod Dia. (Inches)	Fascia Design (Deco Lite or Tuscany)	Fascia Length* (Inches) (Not Including Finials)	Usable Track Length* (Fascia Length - 8 1/2")	Track Finish		Back Rod For Double Set	
						<input type="checkbox"/> Ant. Bronze	<input type="checkbox"/> Black		<input type="checkbox"/> Track & Fascia
						<input type="checkbox"/> Gold	<input type="checkbox"/> Silver	<input type="checkbox"/> White	<input type="checkbox"/> Track Only
1.	Opening	Motor	Placement	Drapery Heading		Front Track Rings	Ring or Glide Qty		
	<input type="checkbox"/> Left Stack <input type="checkbox"/> Right Stack <input type="checkbox"/> Center Open		<input type="checkbox"/> Left <input type="checkbox"/> Right	<input type="checkbox"/> Pinch Pleat <input type="checkbox"/> RippleFold <input type="checkbox"/> 80% <input type="checkbox"/> 100% <input type="checkbox"/> 120% <input type="checkbox"/> Overlap	Master Type <input type="checkbox"/> Butt <input type="checkbox"/> Overlap	<input type="checkbox"/> No Rings <input type="checkbox"/> Ring#: _____	<input type="checkbox"/> 4 Per Ft (Std.) <input type="checkbox"/> Other Qty: _____ (Total)		
Mounting Bracket		Bracket Projection (For Single Sets Only)		Additional Support Brackets		Finial # or Miter Return Projection		Set Finish	
<input type="checkbox"/> Wall Mount <input type="checkbox"/> Ceiling Mount		<input type="checkbox"/> 3 1/2" to 4 1/2" <input type="checkbox"/> 6" to 7"		Qty: _____ Bracket#: _____		<input type="checkbox"/> 3 1/2" <input type="checkbox"/> 4 1/2" <input type="checkbox"/> 6" <input type="checkbox"/> 7"			

Qty	Set#	Rod Dia. (Inches)	Fascia Design (Deco Lite or Tuscany)	Fascia Length* (Inches) (Not Including Finials)	Usable Track Length* (Fascia Length - 8 1/2")	Track Finish		Back Rod For Double Set	
						<input type="checkbox"/> Ant. Bronze	<input type="checkbox"/> Black		<input type="checkbox"/> Track & Fascia
						<input type="checkbox"/> Gold	<input type="checkbox"/> Silver	<input type="checkbox"/> White	<input type="checkbox"/> Track Only
2.	Opening	Motor	Placement	Drapery Heading		Front Track Rings	Ring or Glide Qty		
	<input type="checkbox"/> Left Stack <input type="checkbox"/> Right Stack <input type="checkbox"/> Center Open		<input type="checkbox"/> Left <input type="checkbox"/> Right	<input type="checkbox"/> Pinch Pleat <input type="checkbox"/> RippleFold <input type="checkbox"/> 80% <input type="checkbox"/> 100% <input type="checkbox"/> 120% <input type="checkbox"/> Overlap	Master Type <input type="checkbox"/> Butt <input type="checkbox"/> Overlap	<input type="checkbox"/> No Rings <input type="checkbox"/> Ring#: _____	<input type="checkbox"/> 4 Per Ft (Std.) <input type="checkbox"/> Other Qty: _____ (Total)		
Mounting Bracket		Bracket Projection (For Single Sets Only)		Additional Support Brackets		Finial # or Miter Return Projection		Set Finish	
<input type="checkbox"/> Wall Mount <input type="checkbox"/> Ceiling Mount		<input type="checkbox"/> 3 1/2" to 4 1/2" <input type="checkbox"/> 6" to 7"		Qty: _____ Bracket#: _____		<input type="checkbox"/> 3 1/2" <input type="checkbox"/> 4 1/2" <input type="checkbox"/> 6" <input type="checkbox"/> 7"			

**Controls**

Remote	Finish	Qty
<input type="checkbox"/> Telis 1 RTS	<input type="checkbox"/> Pure	
<input type="checkbox"/> Telis 5 RTS	<input type="checkbox"/> Silver	
<input type="checkbox"/> Telis 1 Chronis RTS	<input type="checkbox"/> Lounge	

**Additional Accessories**

Switch	Finish	Qty	Product #	Qty	Product #	Qty
<input type="checkbox"/> DecoFlex 1	<input type="checkbox"/> White					
<input type="checkbox"/> DecoFlex 5	<input type="checkbox"/> Ivory					
	<input type="checkbox"/> Black					

Please specify how we should program your remote or switch. If no specification is made, we will program each track per channel.

Notes: \_\_\_\_\_



All orders received before 12:00 noon Pacific time will be considered same day orders.

Company Name:		Ship to:	
Ordered By (Name):		Street:	
Side Mark:		City:	State:
Phone:		Ship to Phone (if by Truck):	
Delivery Location: Business: <input type="checkbox"/> Residential: <input type="checkbox"/>		3 Day: <input type="checkbox"/>	Overnight: <input type="checkbox"/> Truck: <input type="checkbox"/> Will Call: <input type="checkbox"/> Other: <input type="checkbox"/>

**Express It!** finishes are shipped in one business day while **Quicken It!** finishes are shipped within 3 business days.

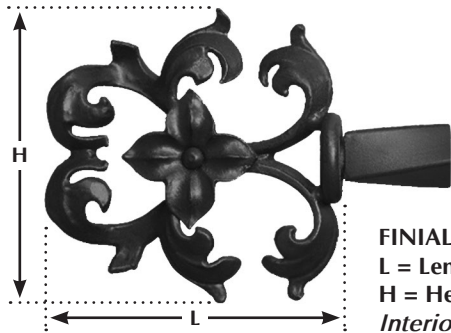
Rod Diameter : Length (Inches) :	Quantity	Connector* Quantity	Finial / End Cap Product# : Quantity	Ring Product# : Quantity	Bracket Product# : Quantity	Xpress Yourway Finish Express It! : Quicken It!
						<input type="checkbox"/> BLK <input type="checkbox"/> BRN <input type="checkbox"/> LTBRN <input type="checkbox"/> ANT BRZ <input type="checkbox"/> SPWTR <input type="checkbox"/> NNKL <input type="checkbox"/> PCHR <input type="checkbox"/> BNKL <input type="checkbox"/> ANT GLD <input type="checkbox"/> PWHT <input type="checkbox"/> PNKL <input type="checkbox"/> STGLD
						<input type="checkbox"/> BLK <input type="checkbox"/> BRN <input type="checkbox"/> LTBRN <input type="checkbox"/> ANT BRZ <input type="checkbox"/> SPWTR <input type="checkbox"/> NNKL <input type="checkbox"/> PCHR <input type="checkbox"/> BNKL <input type="checkbox"/> ANT GLD <input type="checkbox"/> PWHT <input type="checkbox"/> PNKL <input type="checkbox"/> STGLD
						<input type="checkbox"/> BLK <input type="checkbox"/> BRN <input type="checkbox"/> LTBRN <input type="checkbox"/> ANT BRZ <input type="checkbox"/> SPWTR <input type="checkbox"/> NNKL <input type="checkbox"/> PCHR <input type="checkbox"/> BNKL <input type="checkbox"/> ANT GLD <input type="checkbox"/> PWHT <input type="checkbox"/> PNKL <input type="checkbox"/> STGLD

\* The maximum length for unspliced rods is 120" for Iron Art™ and 108" for Italian. Rods over 106" that are not specified as one piece will automatically be spliced to save on shipping charges, and a connector charge will be added. Splices are placed in the center unless another location is otherwise noted. Rods over 106" can only be shipped via common carrier (truck line).

Socket Product# : Qty.	Xpress Yourway Finish Express It! : Quicken It!	Tieback Product# : Qty.	Xpress Yourway Finish Express It! : Quicken It!	Baton Product# : Qty.	Xpress Yourway Finish Express It! : Quicken It!
	<input type="checkbox"/> BLK <input type="checkbox"/> BRN <input type="checkbox"/> LTBRN <input type="checkbox"/> ANT BRZ <input type="checkbox"/> SPWTR <input type="checkbox"/> NNKL <input type="checkbox"/> PCHR <input type="checkbox"/> BNKL <input type="checkbox"/> ANT GLD <input type="checkbox"/> PWHT		<input type="checkbox"/> BLK <input type="checkbox"/> BRN <input type="checkbox"/> LTBRN <input type="checkbox"/> ANT BRZ <input type="checkbox"/> SPWTR <input type="checkbox"/> NNKL <input type="checkbox"/> PCHR <input type="checkbox"/> BNKL <input type="checkbox"/> ANT GLD <input type="checkbox"/> PWHT		<input type="checkbox"/> BLK <input type="checkbox"/> BRN <input type="checkbox"/> LTBRN <input type="checkbox"/> ANT BRZ <input type="checkbox"/> SPWTR <input type="checkbox"/> NNKL <input type="checkbox"/> PCHR <input type="checkbox"/> BNKL <input type="checkbox"/> ANT GLD <input type="checkbox"/> PWHT
	<input type="checkbox"/> BLK <input type="checkbox"/> BRN <input type="checkbox"/> LTBRN <input type="checkbox"/> ANT BRZ <input type="checkbox"/> SPWTR <input type="checkbox"/> NNKL <input type="checkbox"/> PCHR <input type="checkbox"/> BNKL <input type="checkbox"/> ANT GLD <input type="checkbox"/> PWHT		<input type="checkbox"/> BLK <input type="checkbox"/> BRN <input type="checkbox"/> LTBRN <input type="checkbox"/> ANT BRZ <input type="checkbox"/> SPWTR <input type="checkbox"/> NNKL <input type="checkbox"/> PCHR <input type="checkbox"/> BNKL <input type="checkbox"/> ANT GLD <input type="checkbox"/> PWHT		<input type="checkbox"/> BLK <input type="checkbox"/> BRN <input type="checkbox"/> LTBRN <input type="checkbox"/> ANT BRZ <input type="checkbox"/> SPWTR <input type="checkbox"/> NNKL <input type="checkbox"/> PCHR <input type="checkbox"/> BNKL <input type="checkbox"/> ANT GLD <input type="checkbox"/> PWHT
	<input type="checkbox"/> BLK <input type="checkbox"/> BRN <input type="checkbox"/> LTBRN <input type="checkbox"/> ANT BRZ <input type="checkbox"/> SPWTR <input type="checkbox"/> NNKL <input type="checkbox"/> PCHR <input type="checkbox"/> BNKL <input type="checkbox"/> ANT GLD <input type="checkbox"/> PWHT		<input type="checkbox"/> BLK <input type="checkbox"/> BRN <input type="checkbox"/> LTBRN <input type="checkbox"/> ANT BRZ <input type="checkbox"/> SPWTR <input type="checkbox"/> NNKL <input type="checkbox"/> PCHR <input type="checkbox"/> BNKL <input type="checkbox"/> ANT GLD <input type="checkbox"/> PWHT		<input type="checkbox"/> BLK <input type="checkbox"/> BRN <input type="checkbox"/> LTBRN <input type="checkbox"/> ANT BRZ <input type="checkbox"/> SPWTR <input type="checkbox"/> NNKL <input type="checkbox"/> PCHR <input type="checkbox"/> BNKL <input type="checkbox"/> ANT GLD <input type="checkbox"/> PWHT

**Iron Art Line Finishes :** Black (BLK), Brown (BRN), Light Brown (LTBRN), New Nickel (NNKL), Antique Bronze (ANT BRZ), Antique Gold (ANT GLD), Soft Pewter (SPWTR), Pure White (PWHT)  
**Italian Line Finishes :** Polished Chrome (PCHR), Brushed Nickel (BNKL), Polished Nickel (PNKL), Satin Gold (STGLD)

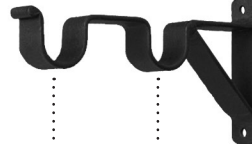
# MEASUREMENT GUIDELINES



**FINIAL 501**  
L = Length  
H = Height  
*Interior Fit*



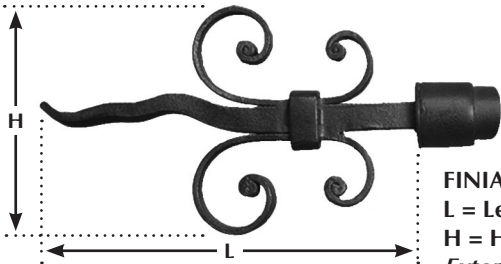
**BRACKET 1028-RND**  
P = Projection



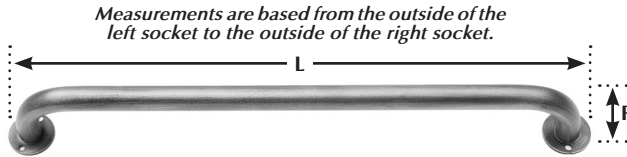
**BRACKET 1024DBWS-RND**  
P = Projection



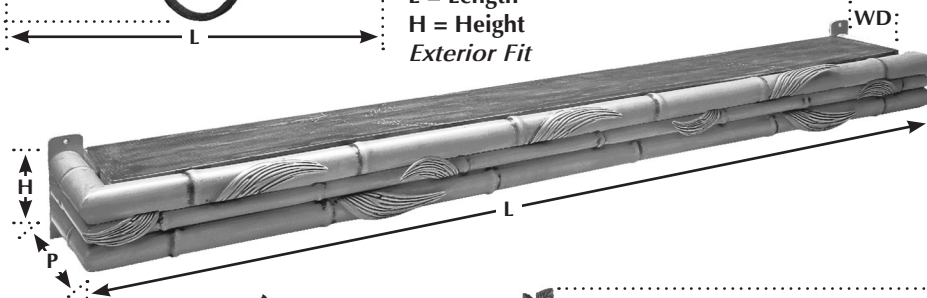
**WOOD BRACKET AMERICAN 5045S**  
P = Projection



**FINIAL 991**  
L = Length  
H = Height  
*Exterior Fit*



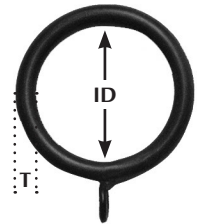
**ROD WITH RETURN 264**  
L = Length  
P = Projection



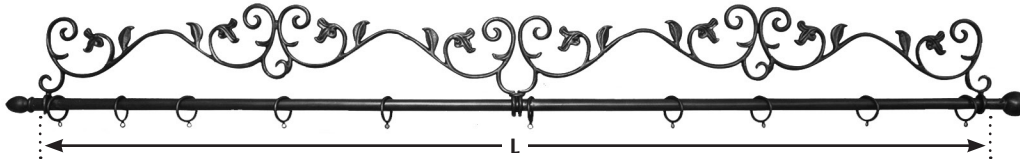
**DECORATIVE CORNICE BAMBOO 9040**  
L = Length  
H = Height  
P = Projection  
WD = Wood Duster



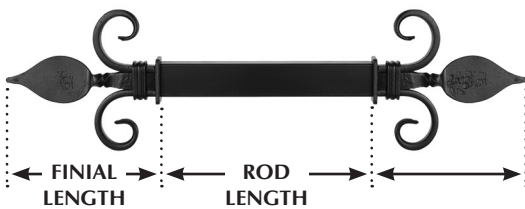
**DECORATIVE ROD 254** H = Height D = Diameter



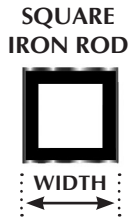
**RING 350**  
ID = Internal Diameter  
T = Thickness



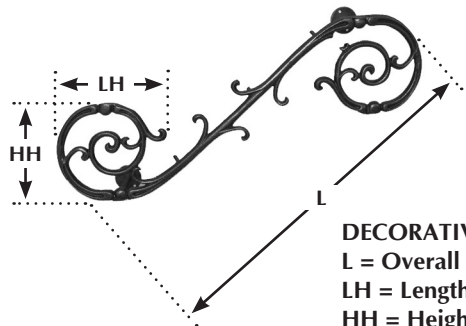
**DECORATIVE ROD 280** L = Length



FINIAL LENGTH  
ROD LENGTH

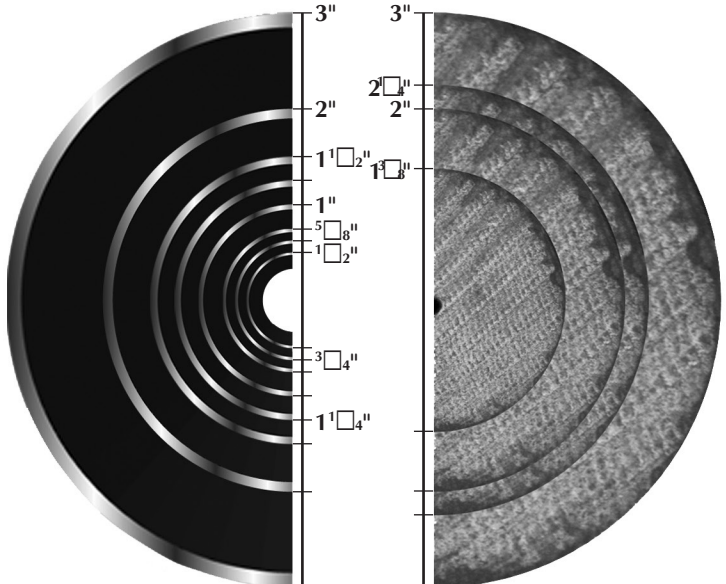


**SQUARE IRON ROD**  
WIDTH



**DECORATIVE SCROLL 267**  
L = Overall Length  
LH = Length of Head  
HH = Height of Head

## IRON ROD AND WOOD POLE DIAMETERS



# NOTES

A series of horizontal dotted lines for writing notes.

# Iron Art™ by ORION

## YOUR ORDER GETS US STARTED.

You choose the hardware, and then select from any of our 35 Iron Art™ finishes, 13 Italian Collection finishes, 6 Tropical Collection finishes, 11 Wood Art finishes or create your own custom color. We hand-make each order to your exact, individual specifications every time.



## Made in USA

From design concept, to finial and rod styles including manual and motorized traversing, to the final hand-painting, Orion products are hand-made just for you by our master artisans right here in the USA.

## Celebrate Your Creativity

From elegantly simple to exquisitely detailed, customization is our specialty. Orion is your gateway to hand crafted, exclusive decorative drapery hardware collections. Whether you are a traditionalist or contemporary is your design vibe, our craftsmen turn your ideas and specifications into reality. Whatever your material of choice - iron, wood, metal, acrylic or crystal- expect innovative, high quality drapery hardware products to-the-trade.



**"Our world revolves around you!"**

Your complete delight in our products and service, from start to finish, is our single most important goal. We say, "Our world revolves around you." – and we mean it. That's why we always ask for your feedback. We know we are only practically perfect, but we keep trying. Please review our products and services at <https://www.ironartbyorion.com/support-feedback>

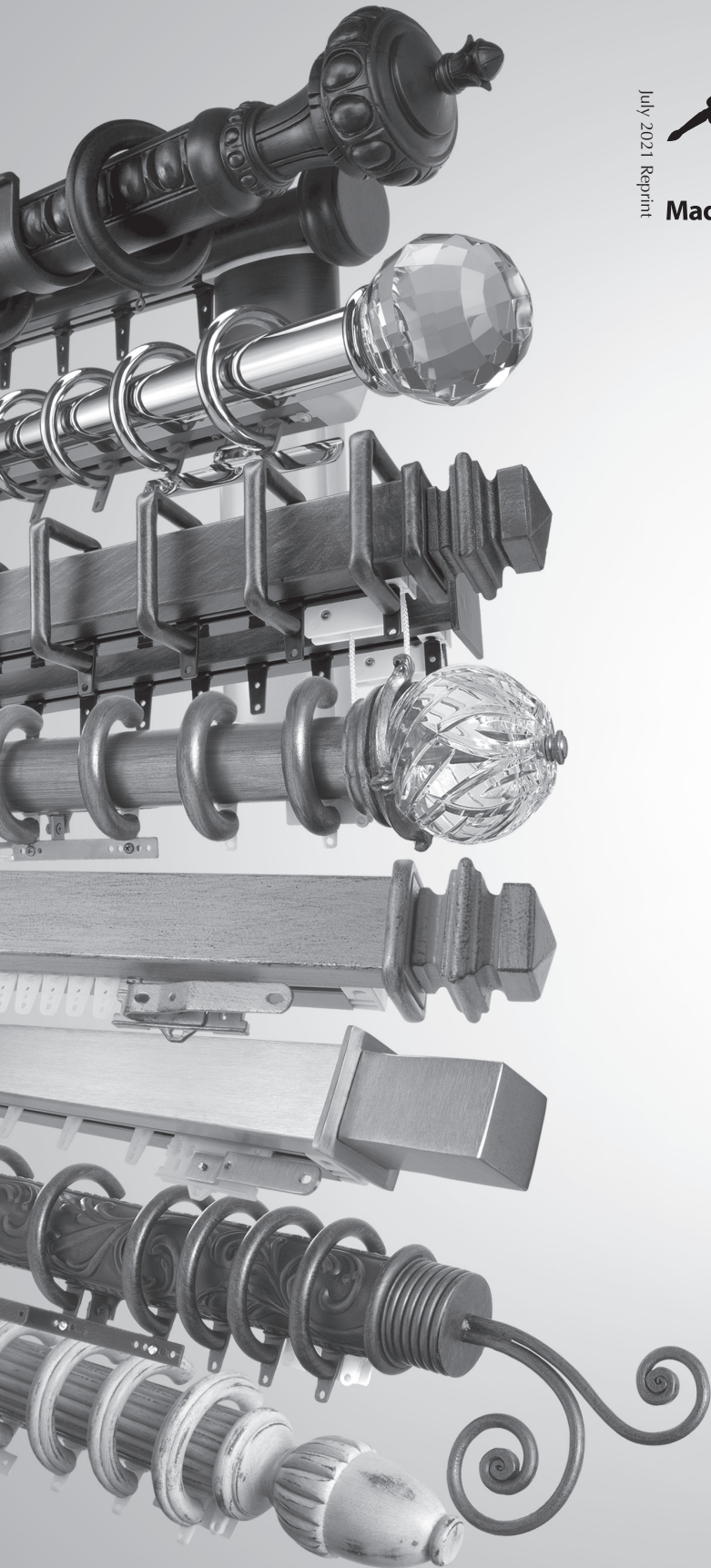


We believe in making a difference. As part of our sustainable vision, we created Orion Green to support organizations involved in efforts for a better and ecologically healthier planet. That's why we offer you a chance to join us in support of these causes. As an Orion Green member, \$1.00 will be added to each of your invoices as your donation to this program. Orion will match \$1 toward the Time for Trees initiative with the Arbor Day Foundation. Plus, for every Orion Order Form received digitally in 2021, we will also donate \$1 to Time for Trees <https://www.arborday.org>



# ORION

ORNAMENTAL IRON, INC.



July 2021 Reprint



Made in USA

